



US00D835334S

(12) **United States Design Patent** (10) **Patent No.:** **US D835,334 S**
Dal Ponte et al. (45) **Date of Patent:** **** Dec. 4, 2018**

- (54) **LUMINAIRE**
- (71) Applicant: **Hubbell Incorporated**, Shelton, CT (US)
- (72) Inventors: **Dean B. Dal Ponte**, Glendale, CA (US); **Michael S. Neuer**, Covina, CA (US); **Syed A. Raza**, Rancho Palos Verdes, CA (US); **Gerald E. Taaffe, III**, Buena Park, CA (US)
- (73) Assignee: **Hubbell Incorporated**, Shelton, CT (US)
- (**) Term: **15 Years**
- (21) Appl. No.: **29/576,997**
- (22) Filed: **Sep. 8, 2016**

- D352,126 S * 11/1994 Ruud D26/24
- D609,382 S * 2/2010 Laporte D26/71
- D615,233 S * 5/2010 Josefowicz D26/71
- D627,093 S * 11/2010 Shiau D26/71
- D630,790 S * 1/2011 Josefowicz D26/71
- D632,000 S * 2/2011 Little, Jr. D26/71

(Continued)

Primary Examiner — Clare E Heflin
(74) *Attorney, Agent, or Firm* — Michael Best & Friedrich, LLP

(57) **CLAIM**

We claim the ornamental design for a luminaire, as shown and described.

DESCRIPTION

FIG. 1 is a perspective view of a luminaire showing our new design.

FIG. 2 is a front end view of the luminaire shown in FIG. 1.

FIG. 3 is a right side view of the luminaire shown in FIG. 1.

FIG. 4 is a left side view of the luminaire shown in FIG. 1.

FIG. 5 is a top view of the luminaire shown in FIG. 1.

FIG. 6 is a bottom view of the luminaire shown in FIG. 1.

FIG. 7 is a perspective view of a luminaire showing our new design.

FIG. 8 is a front end view of the luminaire shown in FIG. 7.

FIG. 9 is a right side view of the luminaire shown in FIG. 7.

FIG. 10 is a left side view of the luminaire shown in FIG. 7.

FIG. 11 is a top view of the luminaire shown in FIG. 7; and, FIG. 12 is a bottom view of the luminaire shown in FIG. 7.

Back end views are not part of the claimed design. The elements shown in broken lines are included for the purpose of illustrating portions of the luminaire that form no part of the claimed design.

Related U.S. Application Data

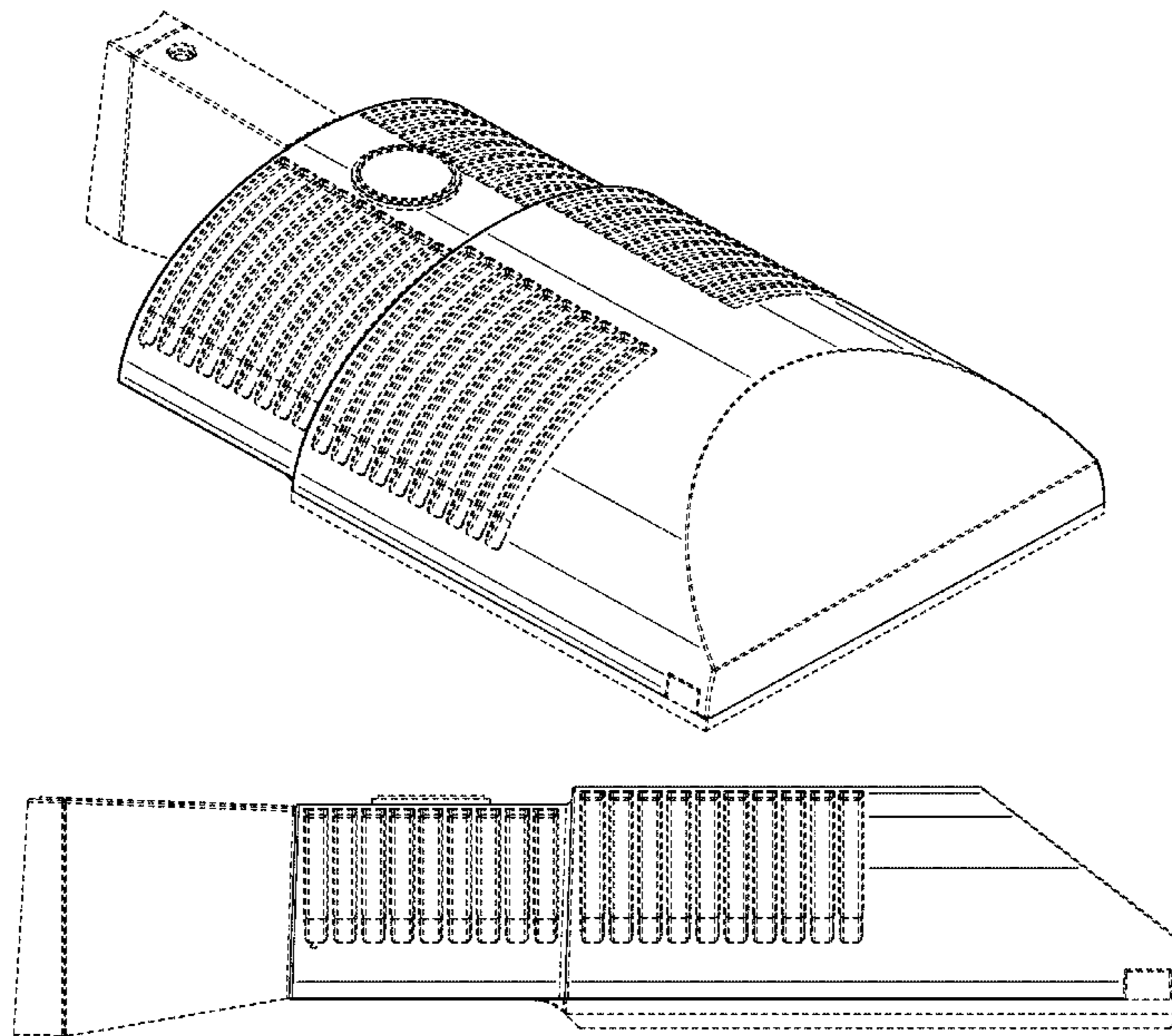
- (62) Division of application No. 29/524,492, filed on Apr. 21, 2015, now Pat. No. Des. 769,500.
- (51) **LOC (11) Cl.** **26-99**
- (52) **U.S. Cl.**
USPC **D26/118; D26/71**
- (58) **Field of Classification Search**
USPC D26/63, 67-72, 87, 92, 118
CPC .. F21S 8/085; F21S 8/086; F21S 8/068; F21S 9/03; F21S 9/037; F21W 2131/103; F21W 2131/107; F21W 2131/109
See application file for complete search history.

(56) **References Cited**

U.S. PATENT DOCUMENTS

- D203,065 S * 11/1965 Izzi et al. D26/71
- D323,897 S 2/1992 Compton

1 Claim, 12 Drawing Sheets



(56)

References Cited

U.S. PATENT DOCUMENTS

D660,496 S	5/2012	Akdag	
D674,950 S	1/2013	Lueken	
D676,178 S	2/2013	Akinrele	
D691,759 S	10/2013	Boyer	
D695,438 S	12/2013	Liu	
D695,938 S	12/2013	Galvan	
8,651,693 B2 *	2/2014	Josefowicz F21S 8/086 362/157
D700,986 S *	3/2014	Chiou D26/71
D743,081 S	11/2015	Benbridge	
D747,527 S	1/2016	Guercio	
D749,256 S	2/2016	Compton	
D769,500 S *	10/2016	Dal Ponte D26/71
2014/0246971 A1	9/2014	Carpenter	
2016/0169478 A1 *	6/2016	Johnson F21V 7/0083 362/297

* cited by examiner

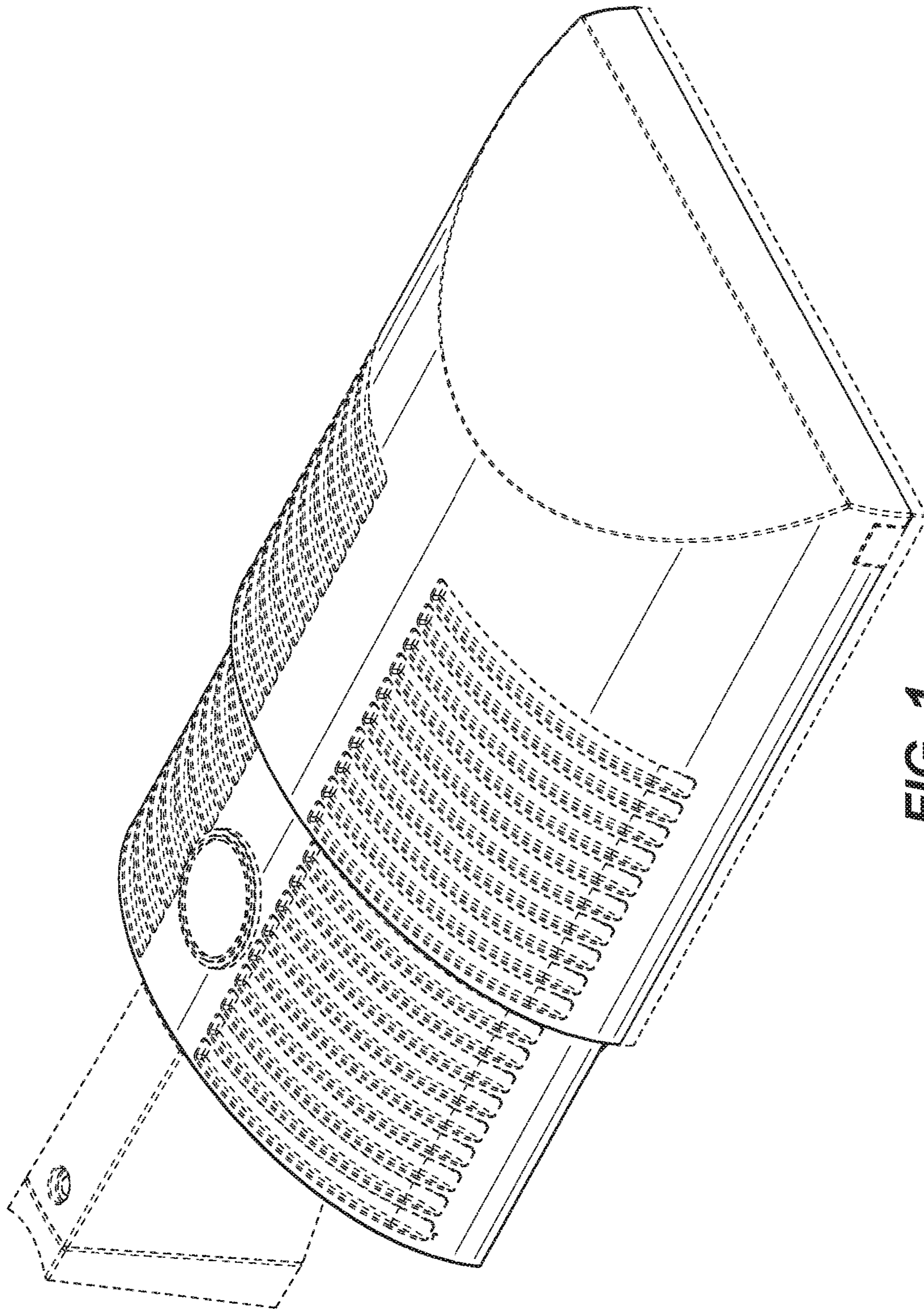


FIG. 1

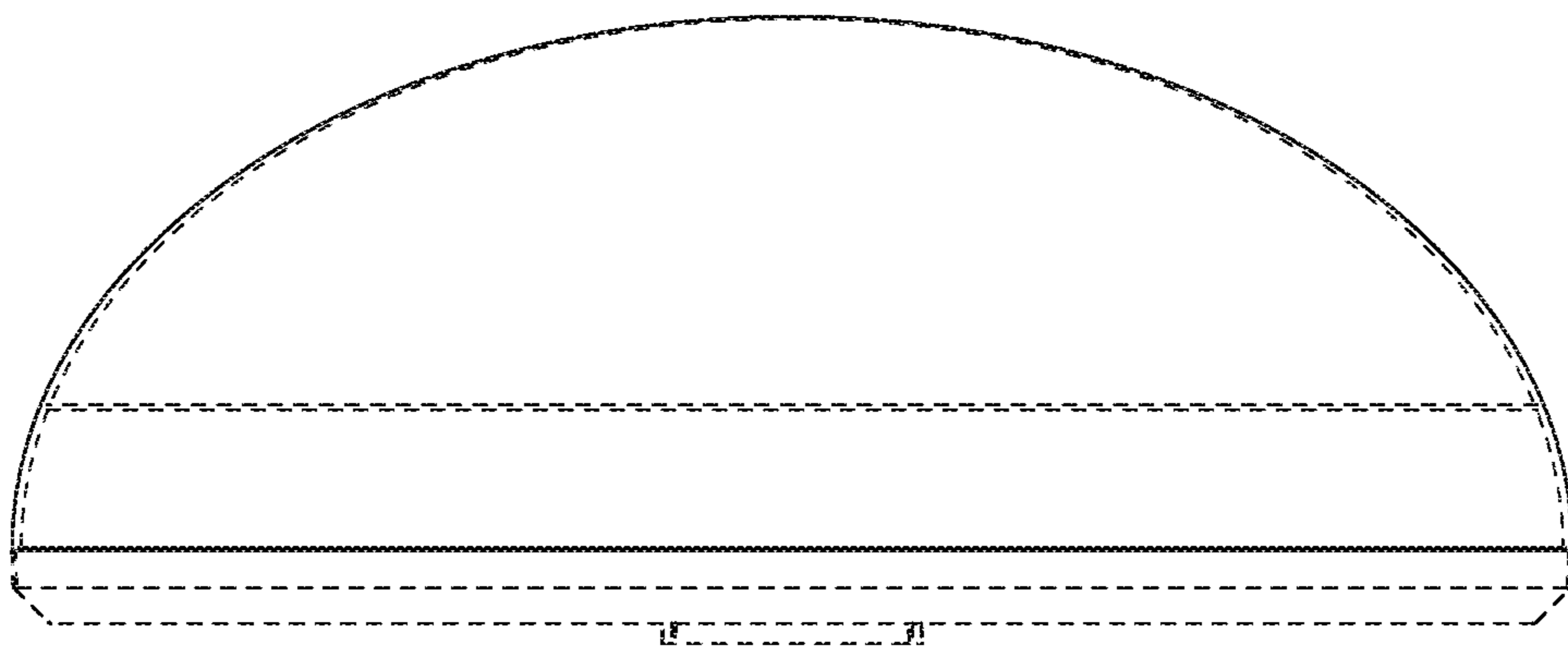


FIG. 2

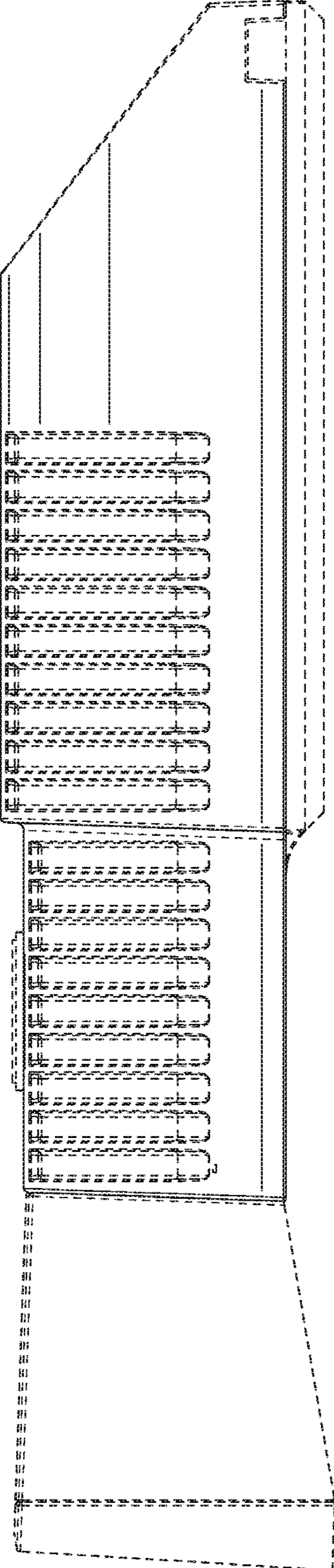


FIG. 3

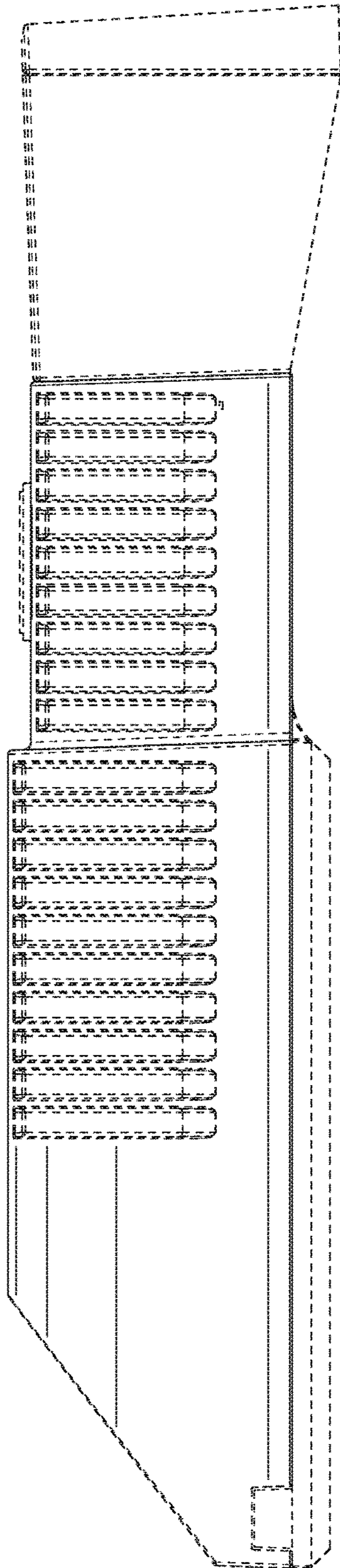


FIG. 4

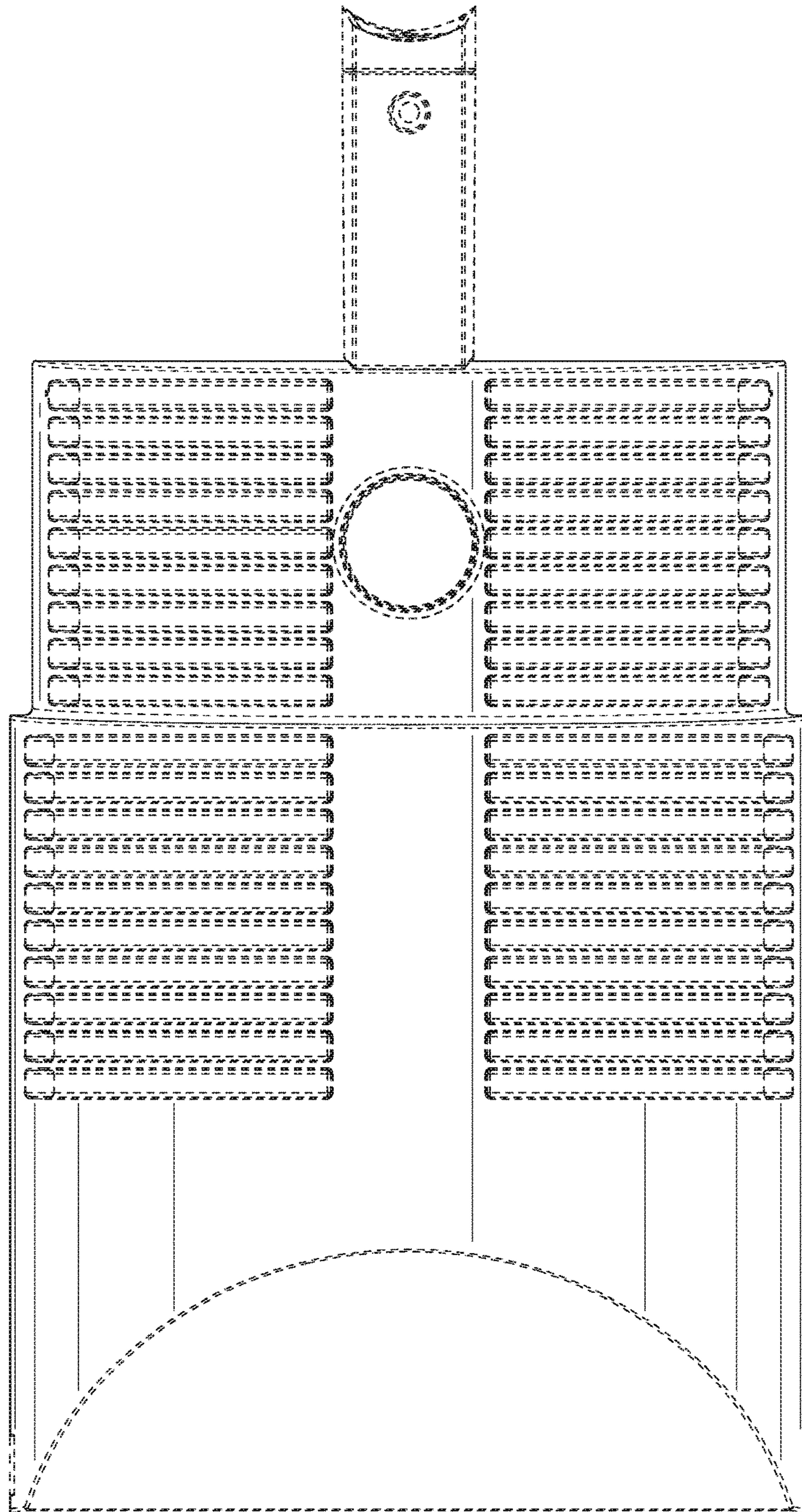


FIG. 5

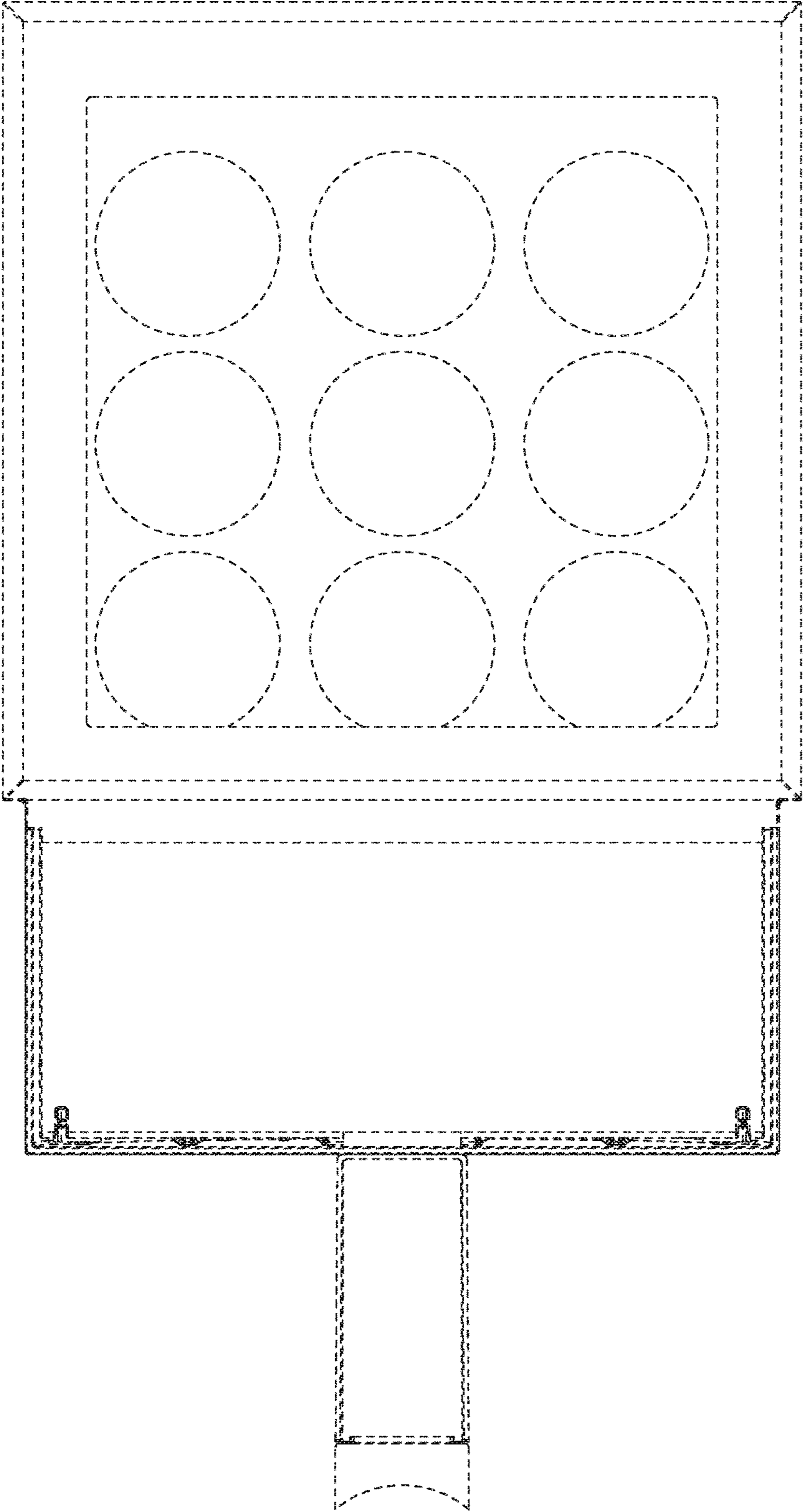


FIG. 6

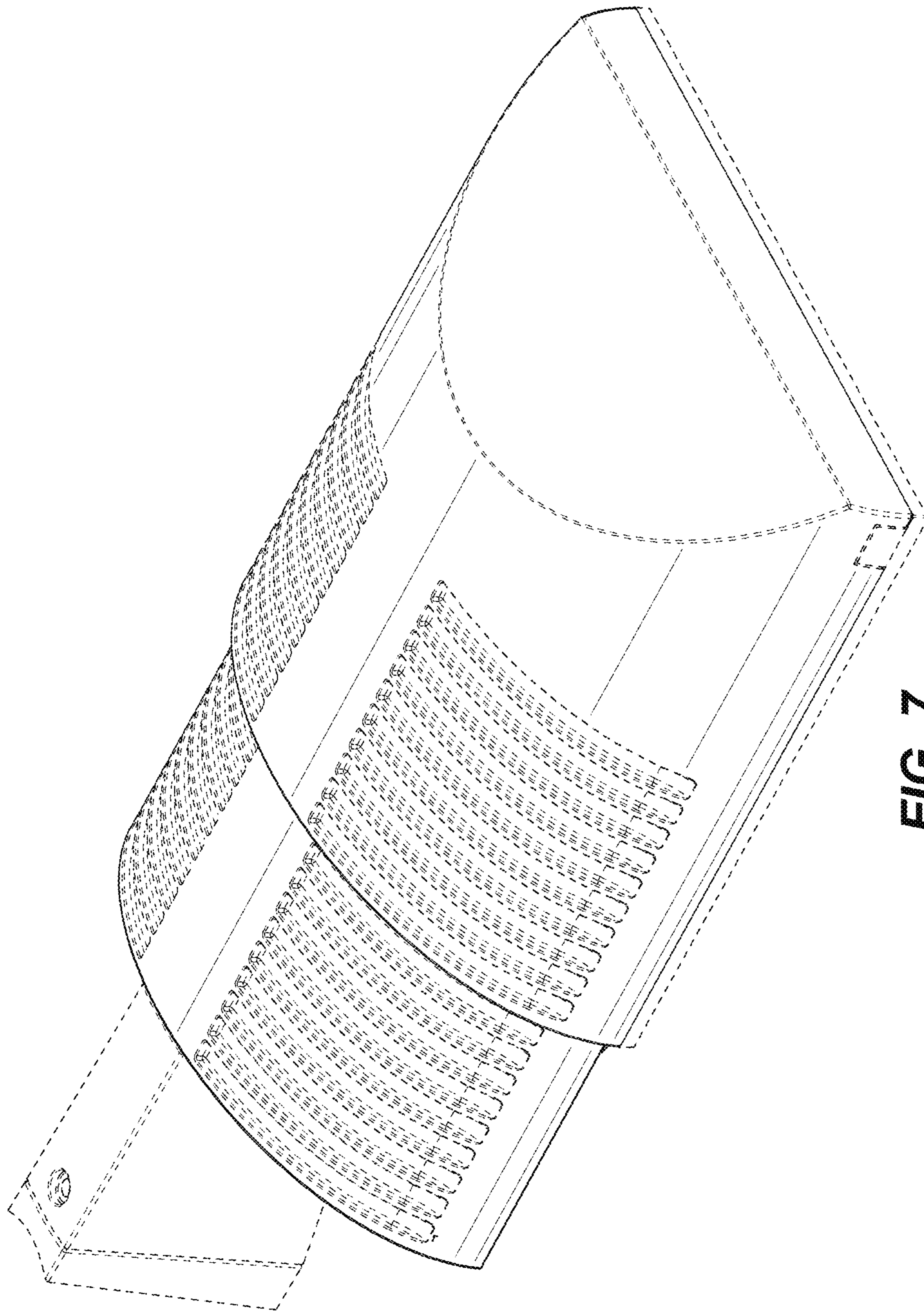


FIG. 7

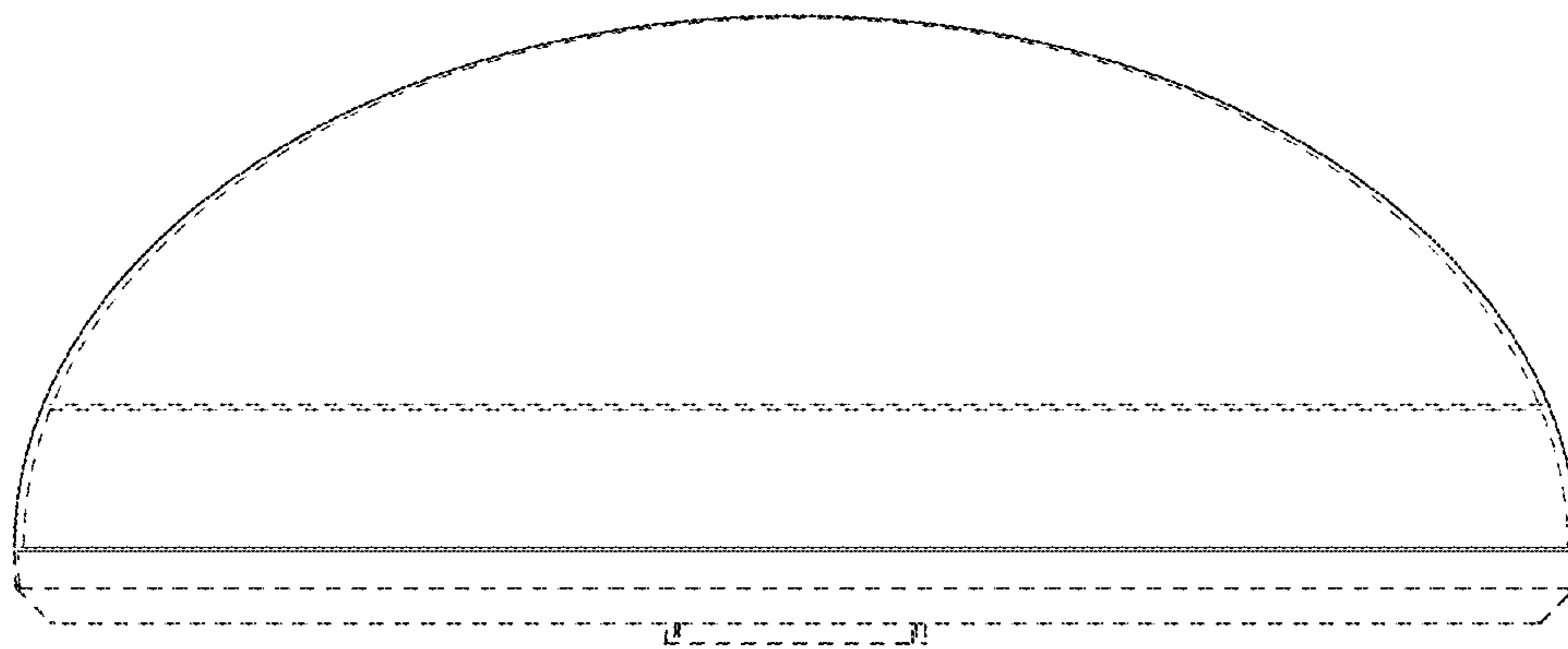


FIG. 8

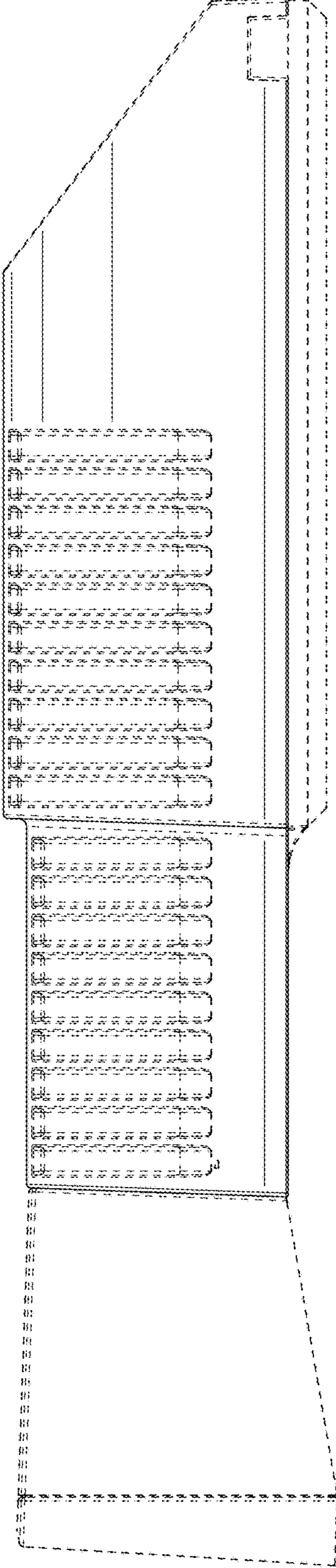


FIG. 9

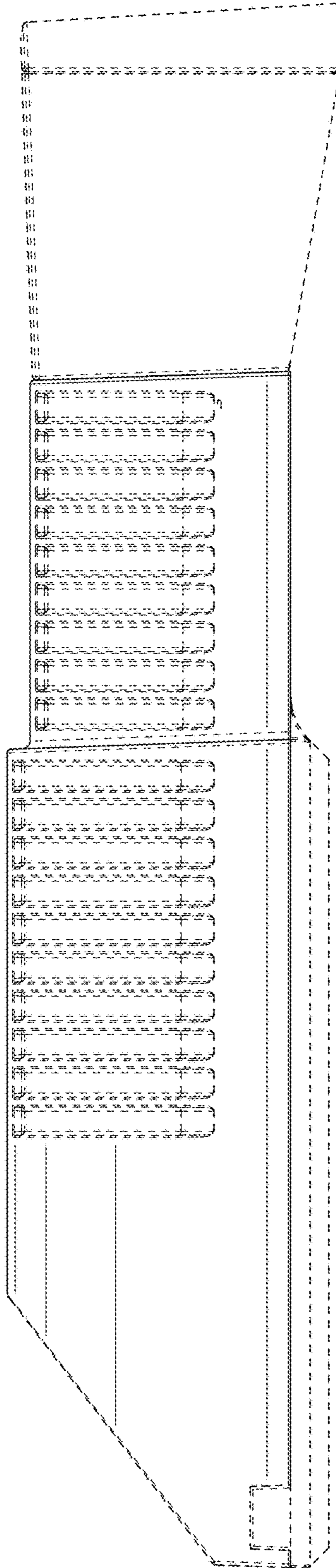


FIG. 10

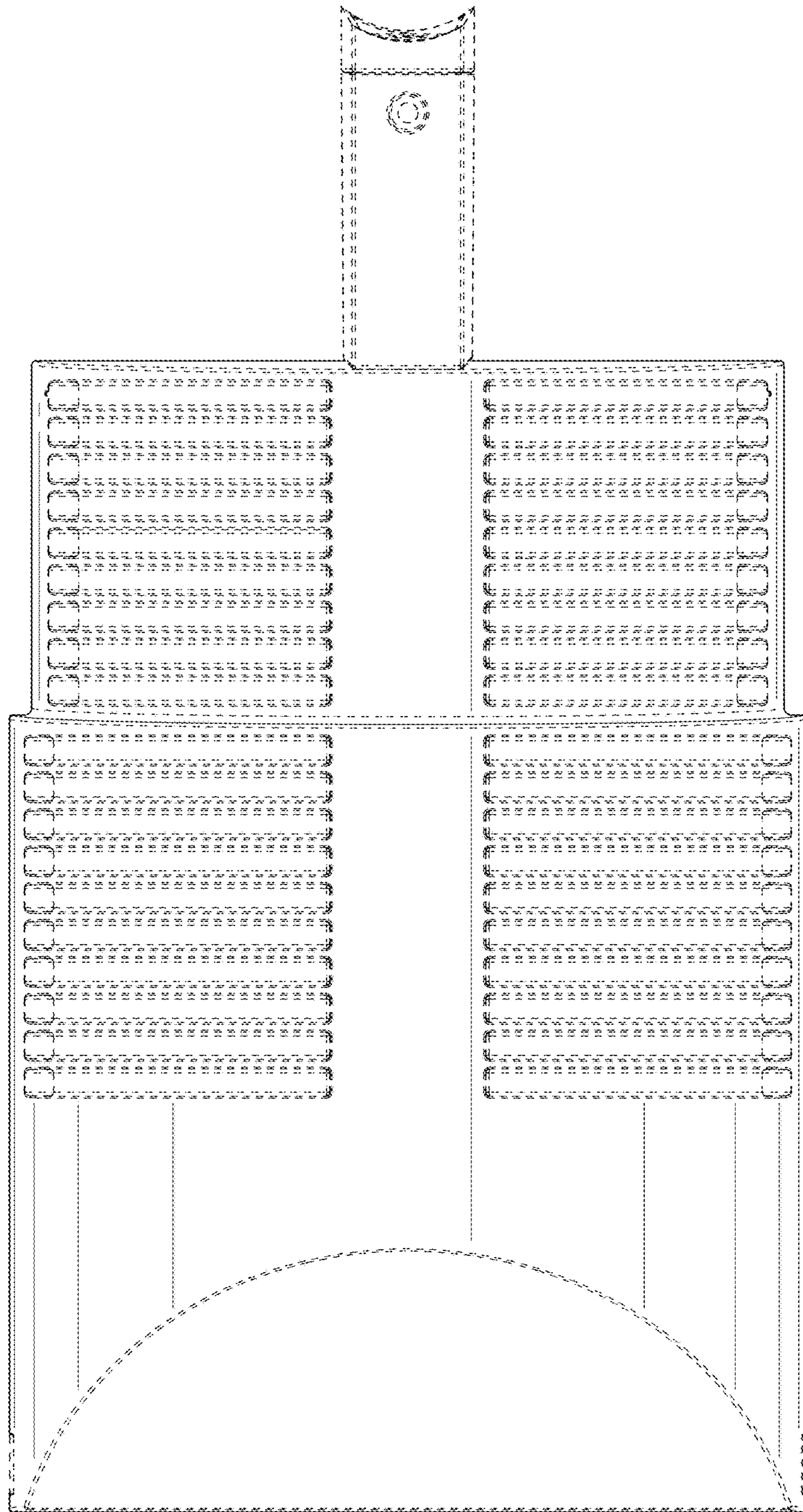


FIG. 11

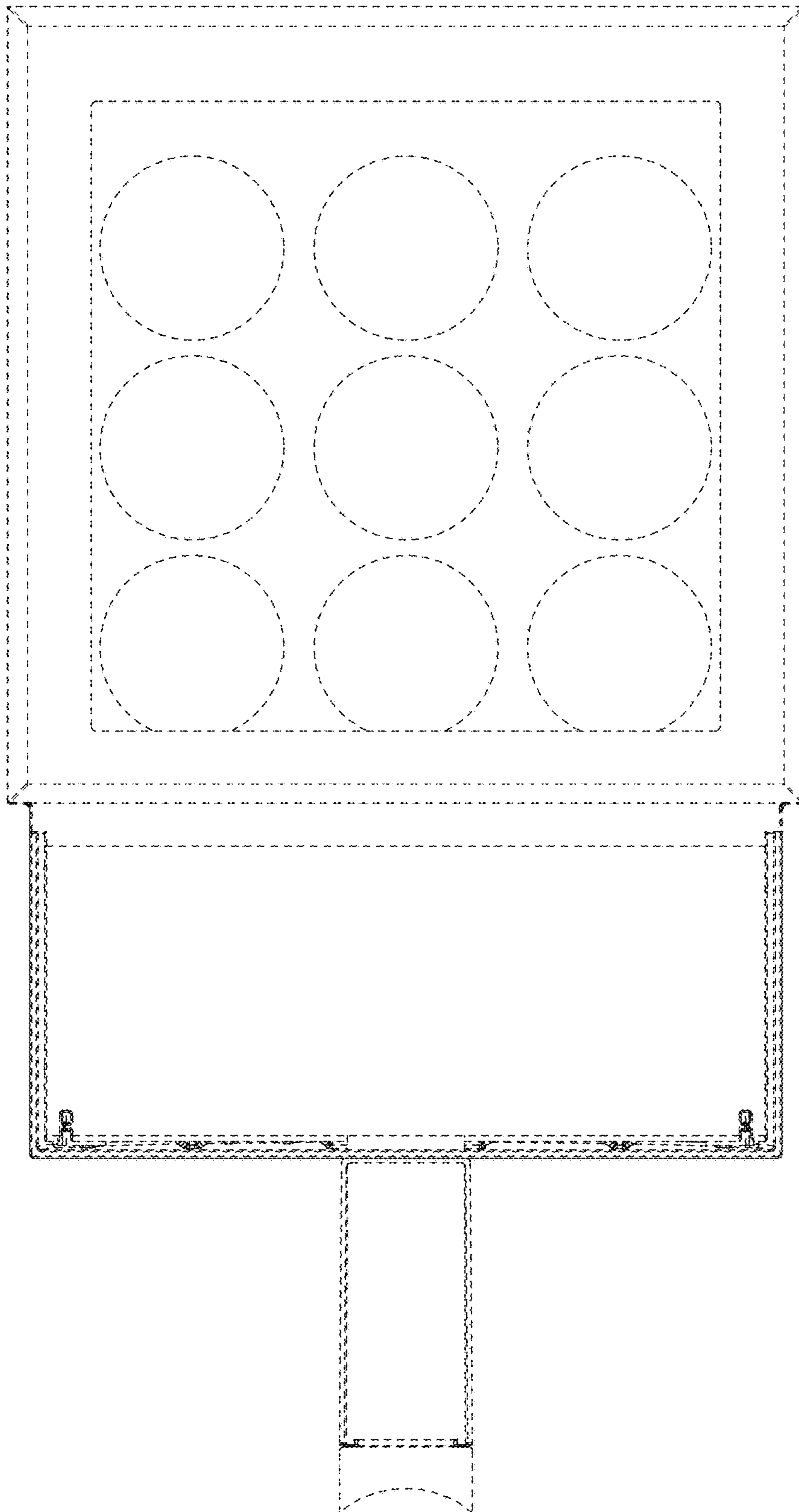


FIG. 12