



US00D835333S

(12) **United States Design Patent** (10) **Patent No.:** **US D835,333 S**
Silver (45) **Date of Patent:** **** Dec. 4, 2018**

(54) **LUMINAIRE**

(71) Applicant: **Beta-Calco, Inc.**, Toronto, Ontario (CA)

(72) Inventor: **Remy Silver**, Toronto (CA)

(73) Assignee: **BETA-CALCO INC.**, Toronto (CA)

(**) Term: **15 Years**

(21) Appl. No.: **29/597,366**

(22) Filed: **Mar. 16, 2017**

(30) **Foreign Application Priority Data**

Nov. 4, 2016 (CA) 171374

(51) **LOC (11) Cl.** **26-99**

(52) **U.S. Cl.**
USPC **D26/113**

(58) **Field of Classification Search**
USPC D26/1, 24, 93, 94, 113, 76, 141; D6/300, D6/661.1; D25/115; D11/132; D10/114.1, 114.2, 113.4; D23/366
(Continued)

(56) **References Cited**

U.S. PATENT DOCUMENTS

D548,827 S * 8/2007 Pivert D23/366
D604,894 S * 11/2009 Peifer D26/141
(Continued)

Primary Examiner — Brian N. Vinson

(74) *Attorney, Agent, or Firm* — Renner, Otto, Boisselle & Sklar, LLP

(57) **CLAIM**

The ornamental design for a luminaire, as shown and described.

DESCRIPTION

FIG. 1 is a front view of a luminaire showing a first variant of the design, the rear, left side and right side views being identical thereto;

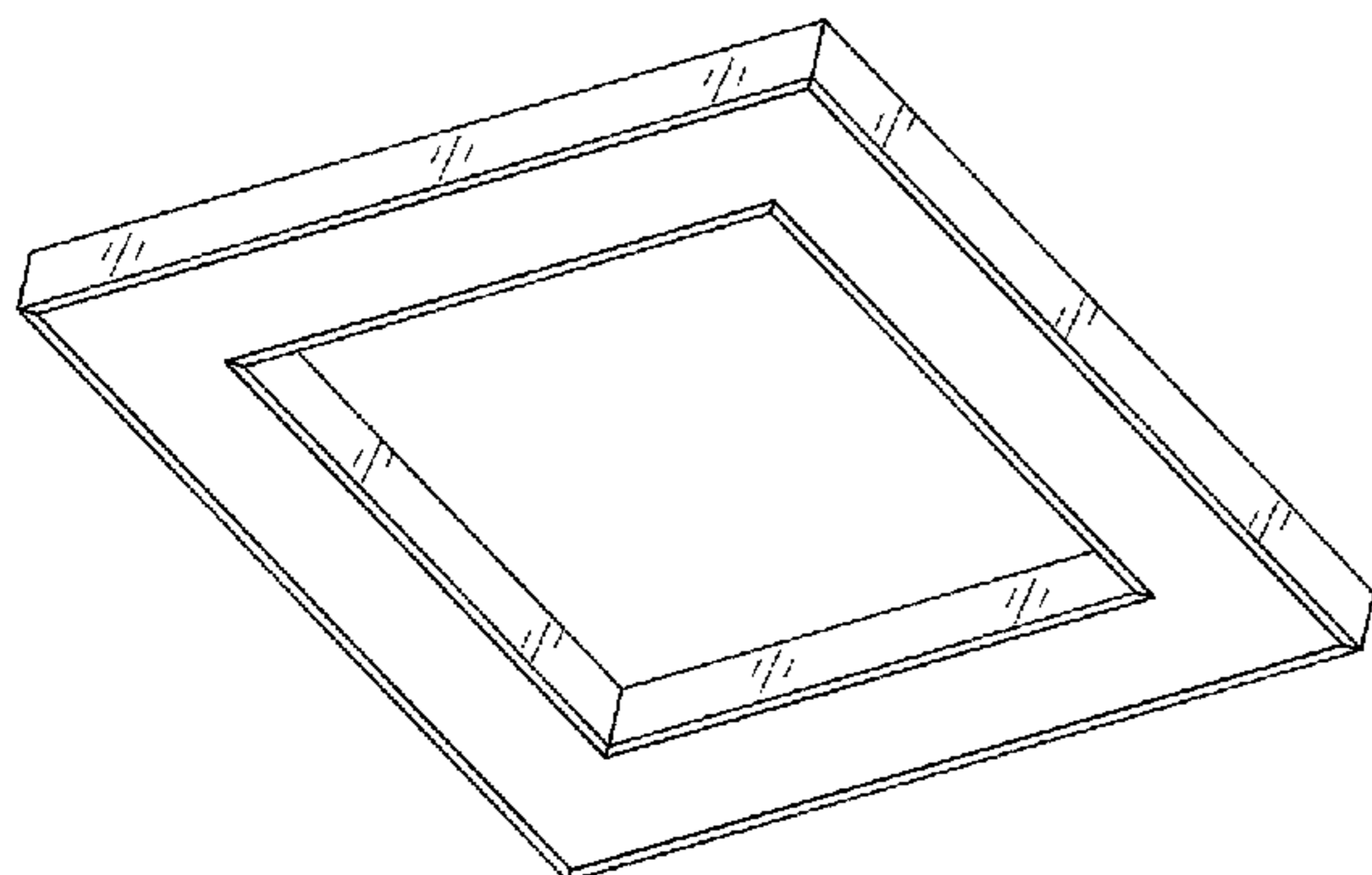


FIG. 2 is a bottom view of the luminaire of FIG. 1;
FIG. 3 is a top view of the luminaire of FIG. 1;
FIG. 4 is a perspective view of the luminaire of FIG. 1;
FIG. 5 is an enlarged fragmentary view of the portion of the luminaire identified in FIG. 2;
FIG. 6 is a front view of a luminaire showing a second variant of the design, the rear, right side and left side views being identical thereto;
FIG. 7 is a bottom view of the luminaire of FIG. 6;
FIG. 8 is a top view of the luminaire of FIG. 6;
FIG. 9 is a perspective view of the luminaire of FIG. 6;
FIG. 10 is an enlarged fragmentary view of the portion of the luminaire identified in FIG. 7;
FIG. 11 is a front view of a luminaire showing a third variant of the design, the rear view being identical thereto;
FIG. 12 is a left side view of the luminaire of FIG. 11, the right side view being identical thereto;
FIG. 13 is a bottom view of the luminaire of FIG. 11;
FIG. 14 is a top view of the luminaire of FIG. 11;
FIG. 15 is a perspective view of the luminaire of FIG. 11;
FIG. 16 is an enlarged fragmentary view of the portion of the luminaire identified in FIG. 13;
FIG. 17 is a front view of a luminaire showing a fourth variant of the design, the rear view being identical thereto;
FIG. 18 is a left side view of the luminaire of FIG. 17, the right side view being identical thereto;
FIG. 19 is a bottom view of the luminaire of FIG. 17;
FIG. 20 is a top view of the luminaire of FIG. 17;
FIG. 21 is a perspective view of the luminaire of FIG. 17;
FIG. 22 is an enlarged fragmentary view of the portion of the luminaire identified in FIG. 19;
FIG. 23 is a front view of a luminaire showing a fifth variant of the design, the rear view being identical thereto;
FIG. 24 is a left side view of the luminaire of FIG. 23, the right side view being identical thereto;
FIG. 25 is a bottom view of the luminaire of FIG. 23;
FIG. 26 is a top view of the luminaire of FIG. 23;
FIG. 27 is a perspective view of the luminaire of FIG. 23;
FIG. 28 is an enlarged fragmentary view of the portion of the luminaire identified in FIG. 25;
FIG. 29 is a front view of a luminaire showing a sixth variant of the design, the rear view being identical thereto;
FIG. 30 is a left side view of the luminaire of FIG. 29, the right side view being identical thereto;

(Continued)

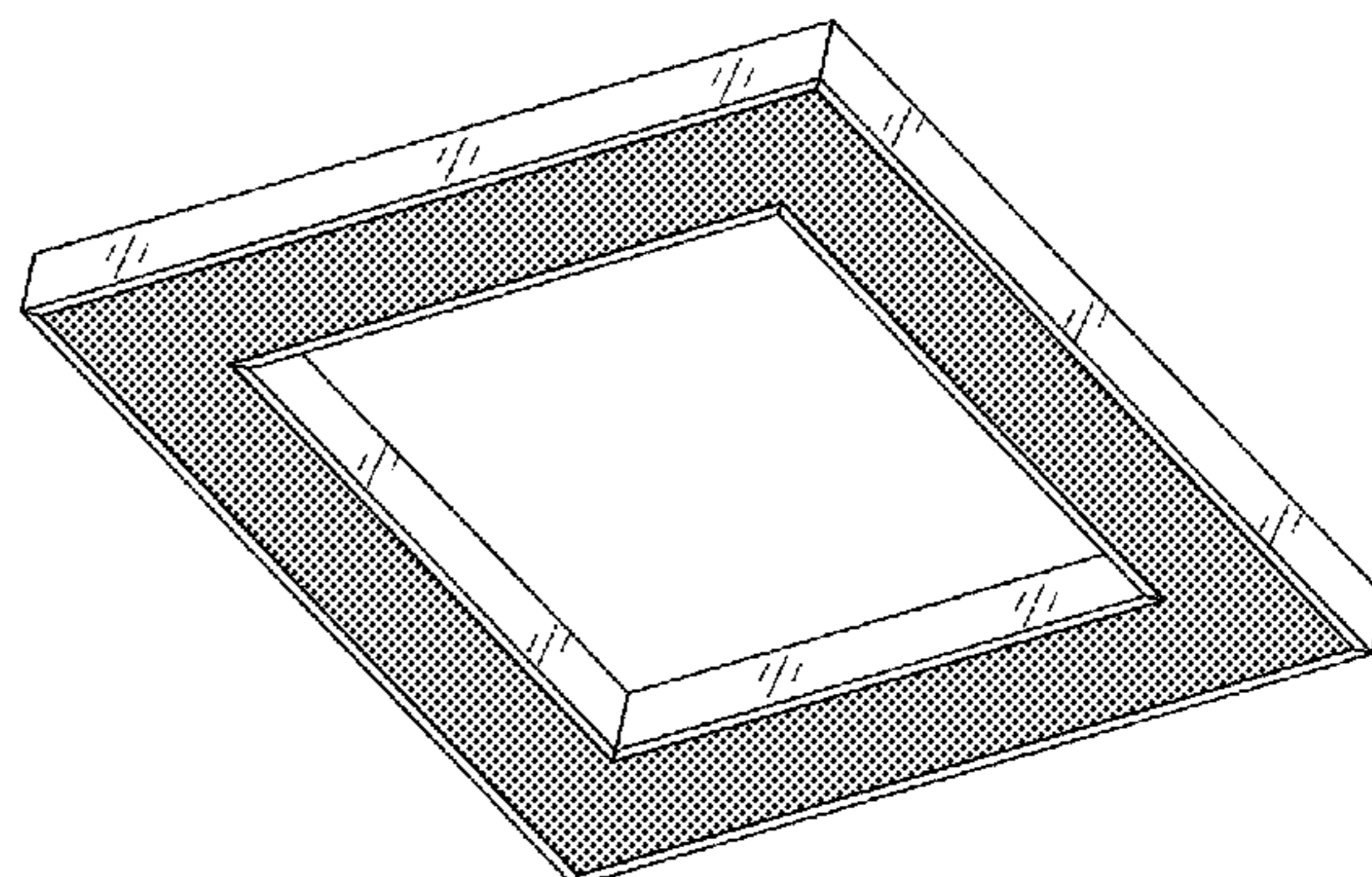


FIG. 31 is a bottom view of the luminaire of FIG. 29;
FIG. 32 is a top view of the luminaire of FIG. 29;
FIG. 33 is a perspective view of the luminaire of FIG. 29;
and,
FIG. 34 is an enlarged fragmentary view of the portion of the luminaire identified in FIG. 31.

1 Claim, 6 Drawing Sheets

(58) **Field of Classification Search**

CPC F21S 6/00; F21S 6/002; F21V 1/00; F21V
3/00; F21V 21/02; F21V 21/06; F21W
2121/00; F21W 2131/30; B65D 17/165;
G09F 21/04; G09B 23/04

See application file for complete search history.

(56) **References Cited**

U.S. PATENT DOCUMENTS

D654,703	S	*	2/2012	LeMay	D6/300
D712,591	S	*	9/2014	Sannella	D26/141
D747,109	S	*	1/2016	Shay-Puetzer	D6/300
D800,368	S	*	10/2017	Czech	D26/76
D802,819	S	*	11/2017	Czech	D26/76

* cited by examiner



FIG. 1

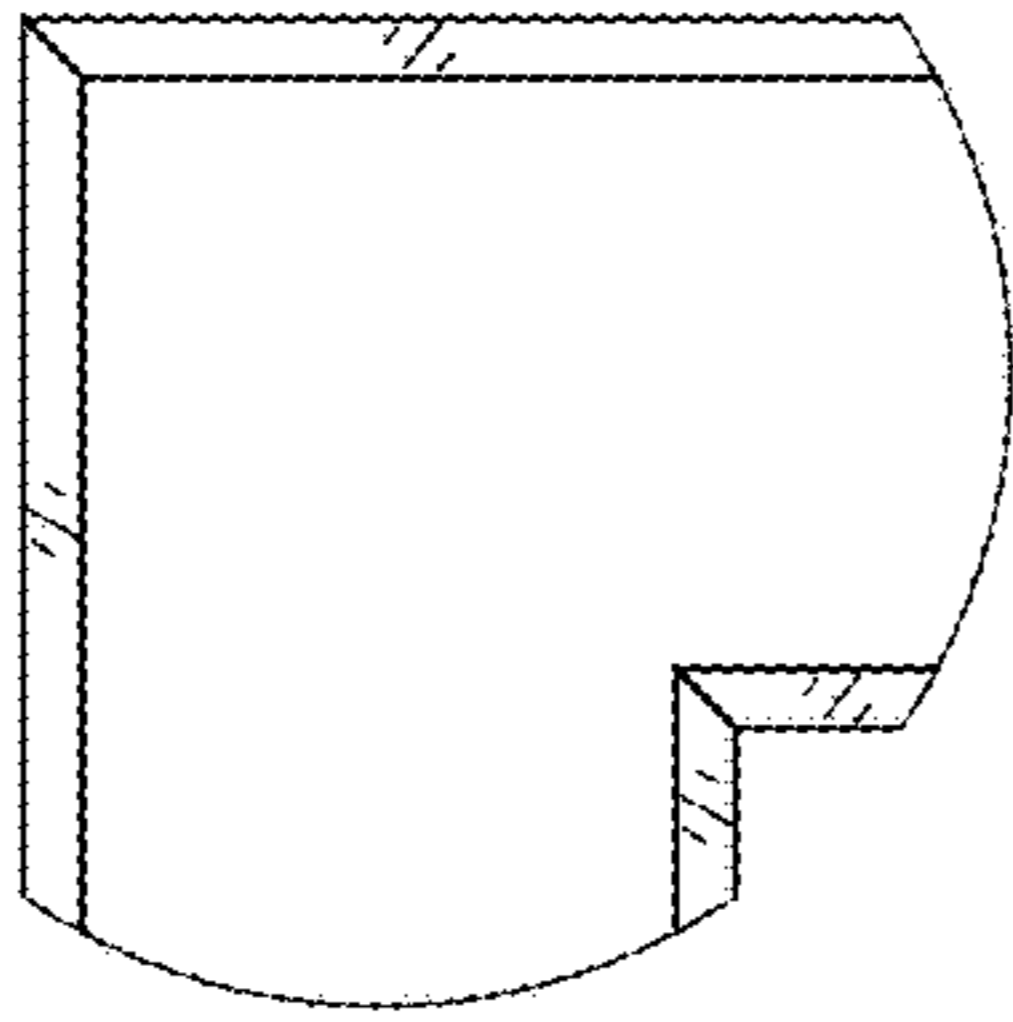


FIG. 5

FIG. 5

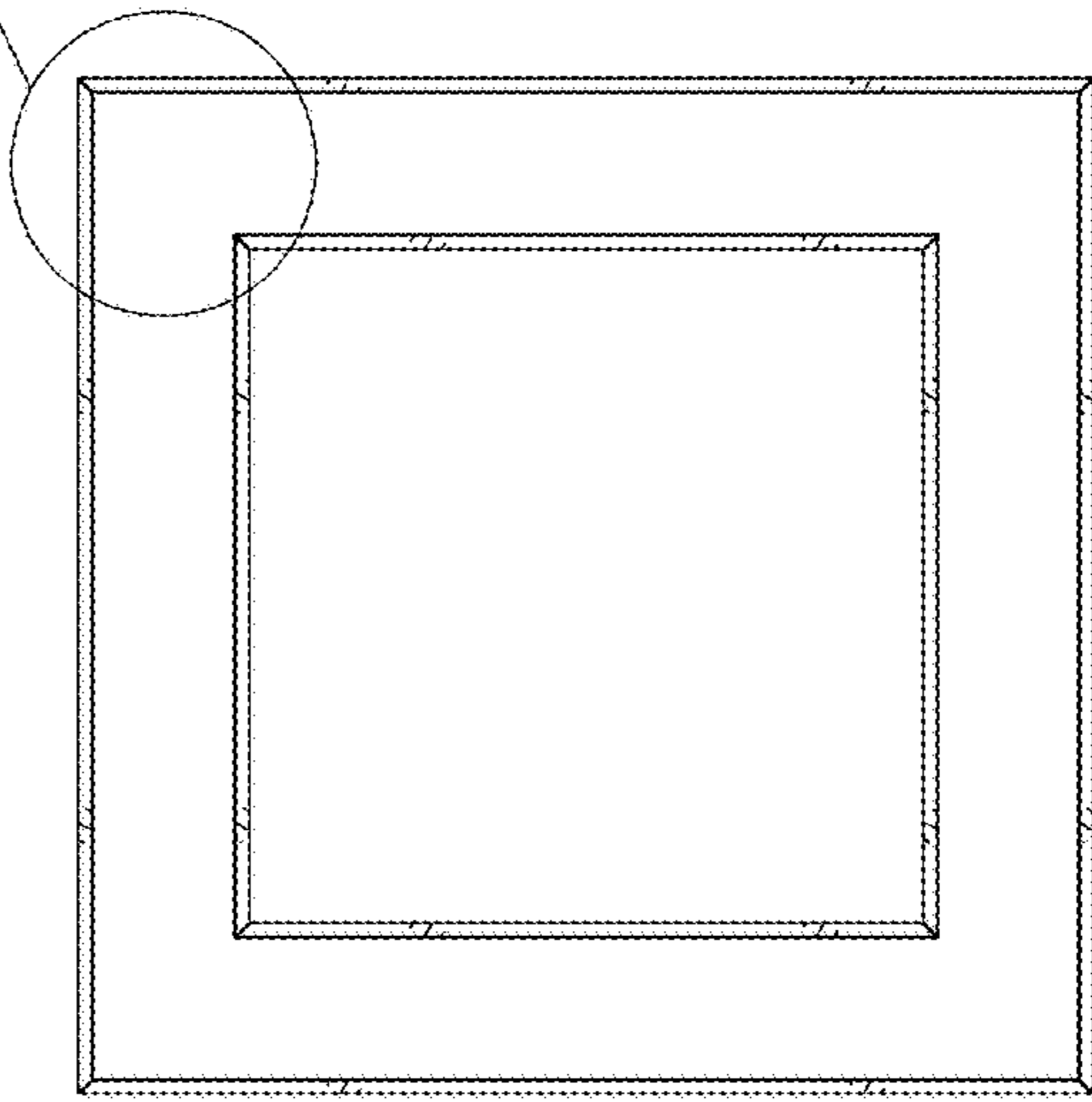


FIG. 2

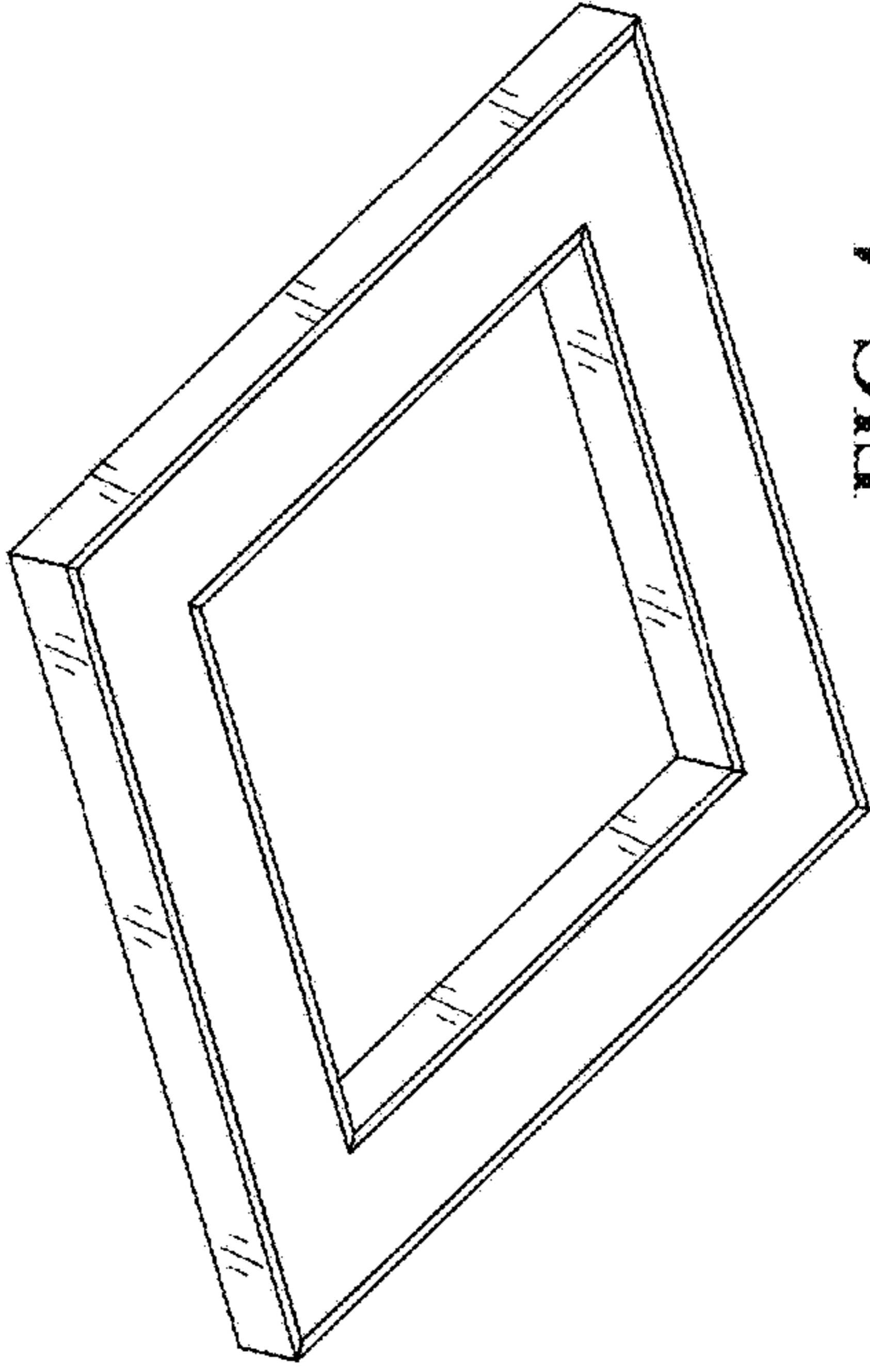


FIG. 4

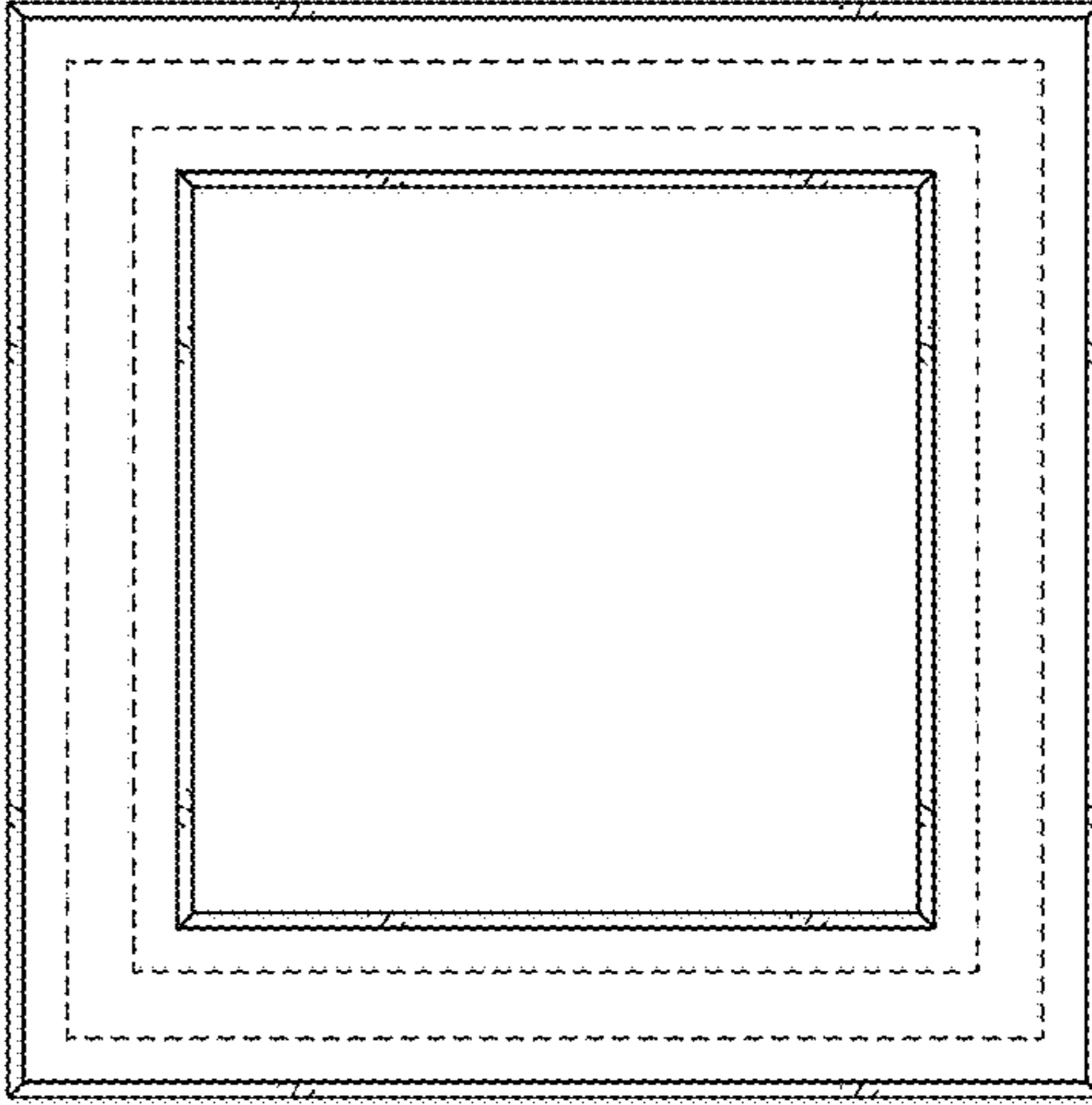


FIG. 3



FIG. 6

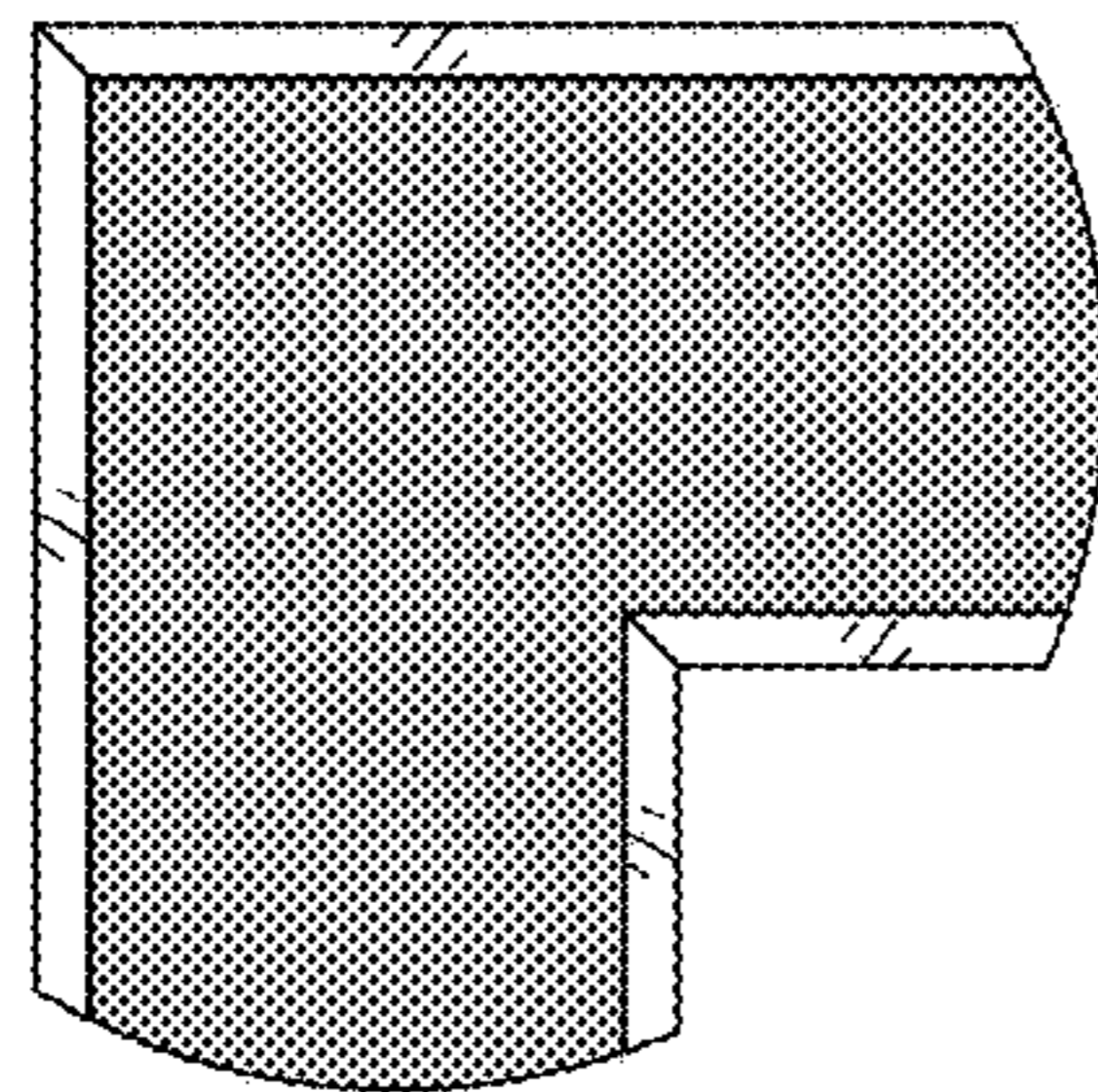


FIG. 10

FIG. 10

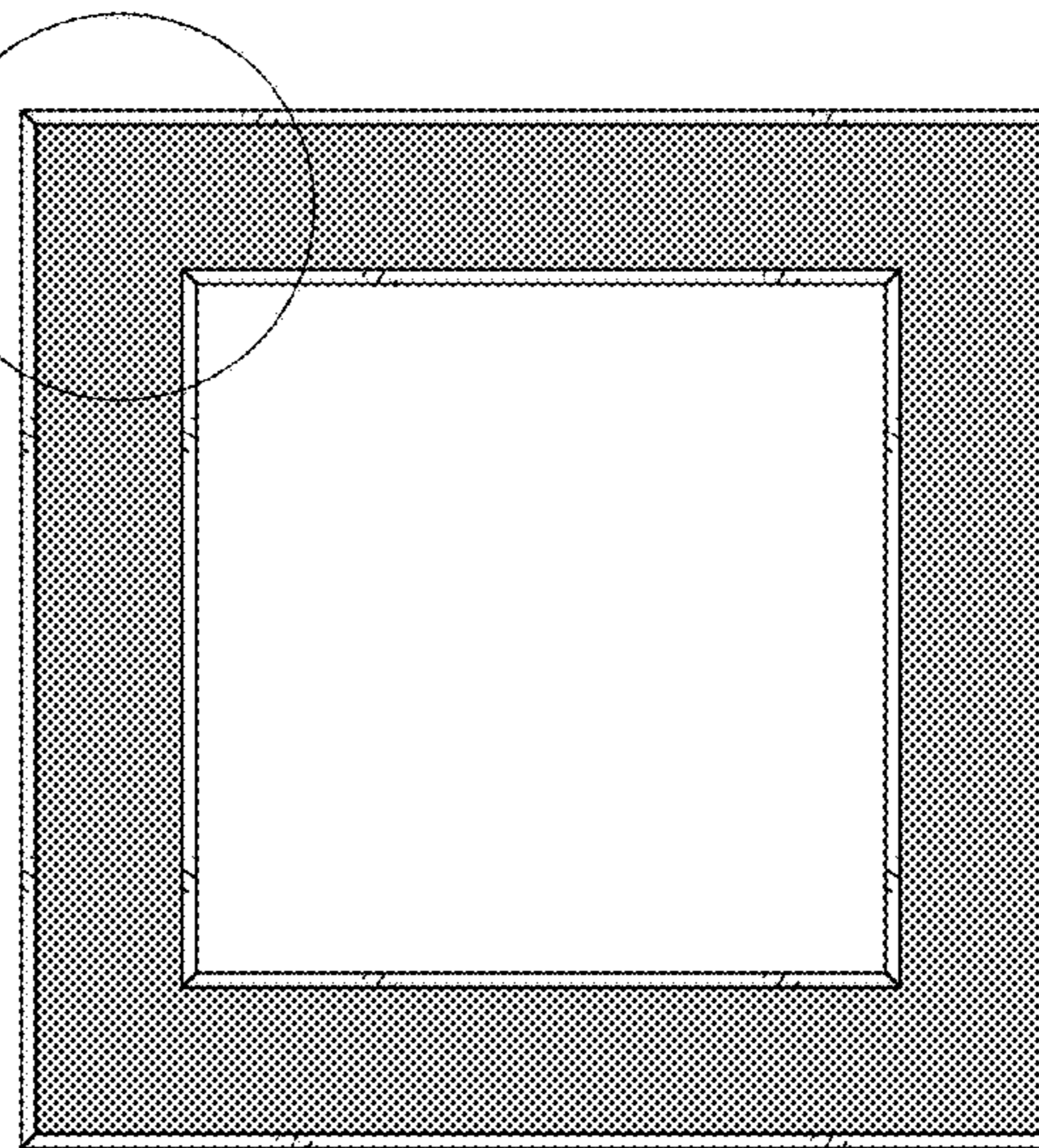


FIG. 7

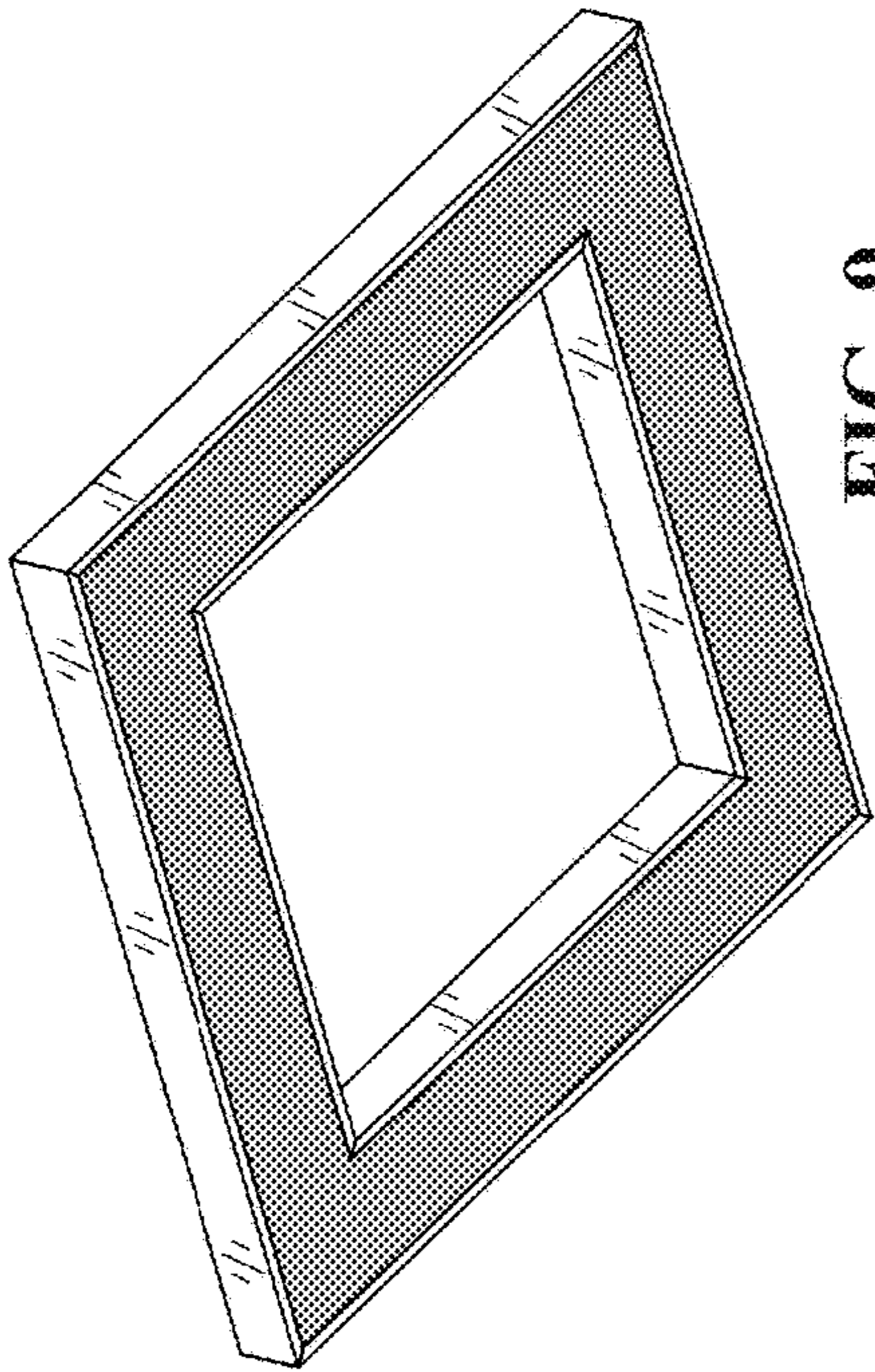


FIG. 9

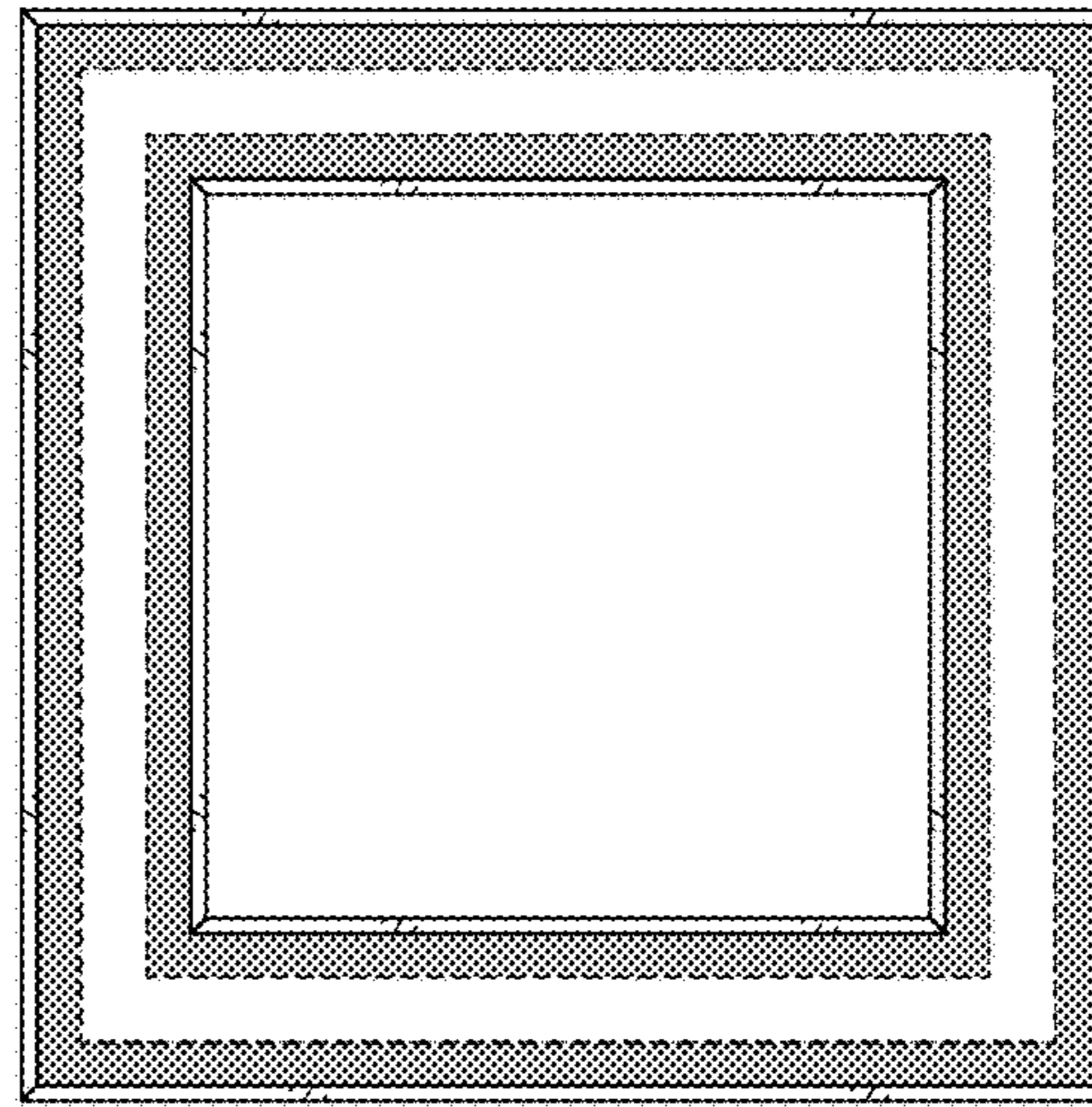


FIG. 8



FIG. 11



FIG. 12

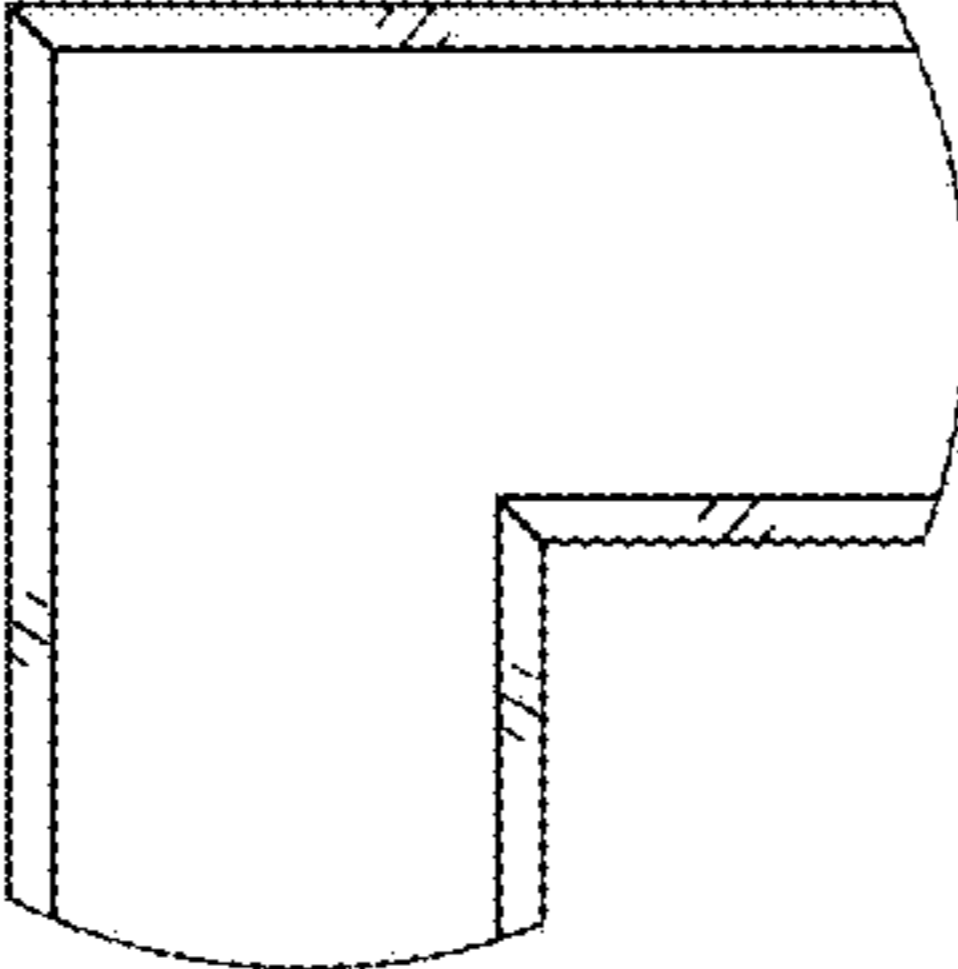


FIG. 16

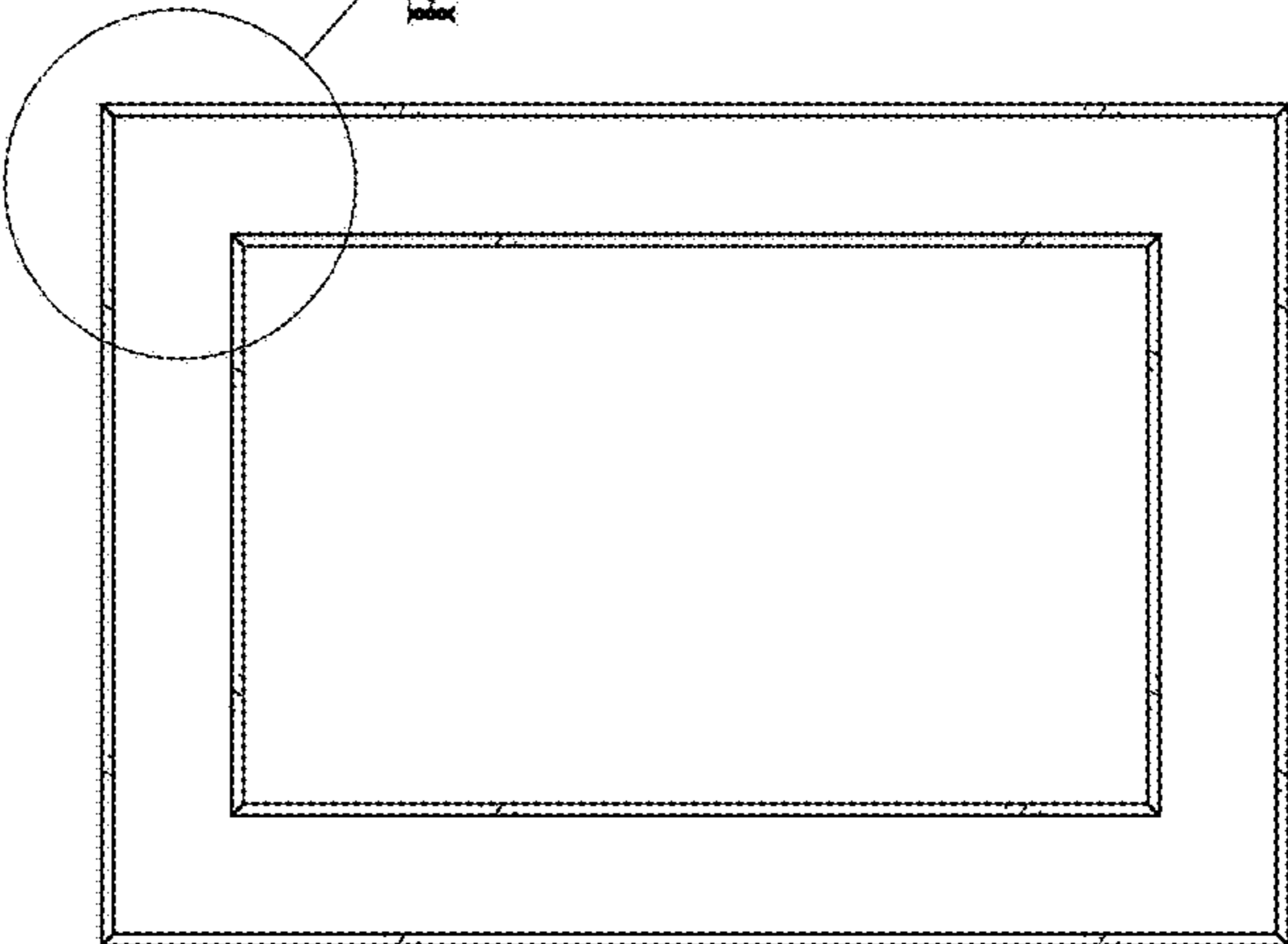


FIG. 16

FIG. 13

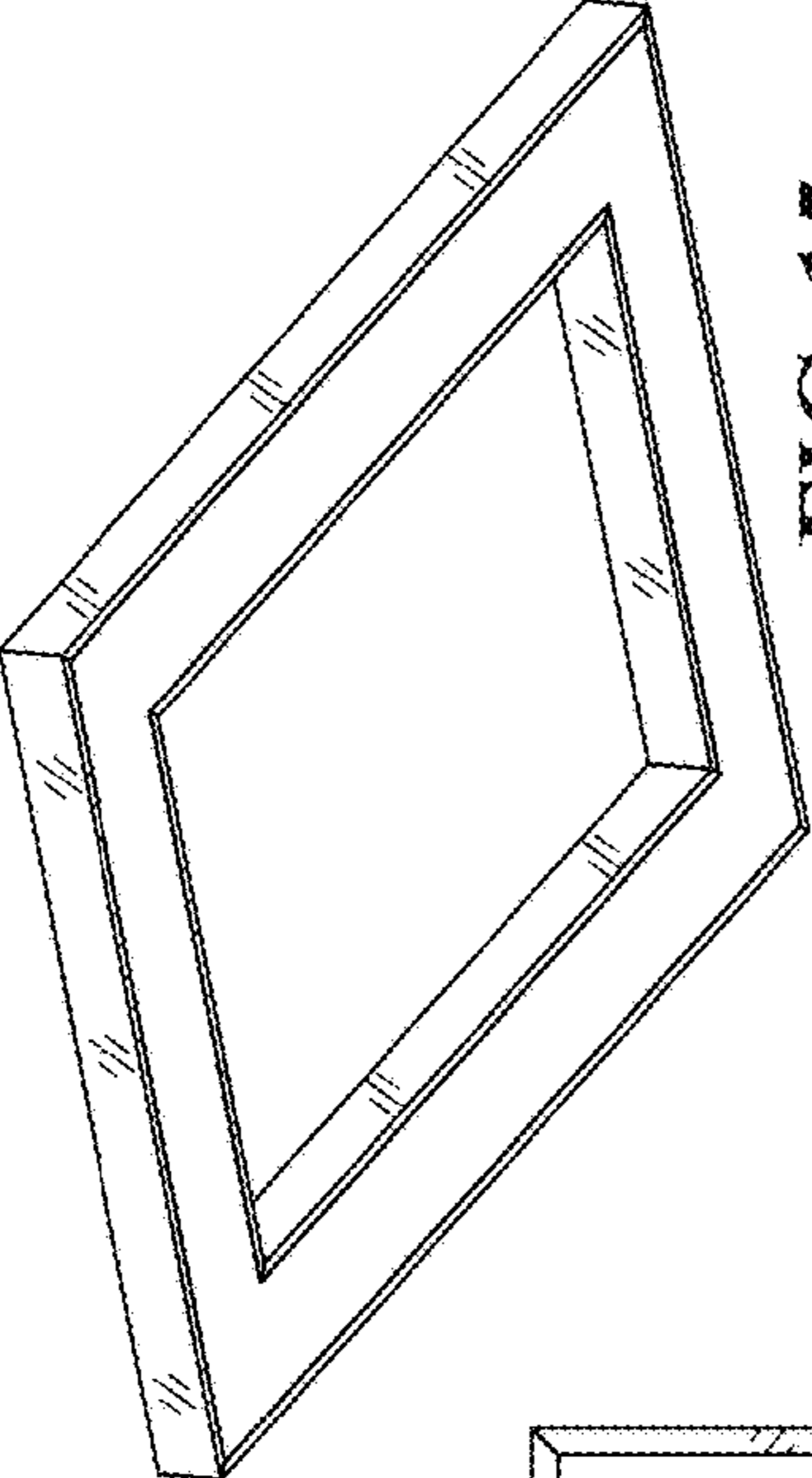


FIG. 15

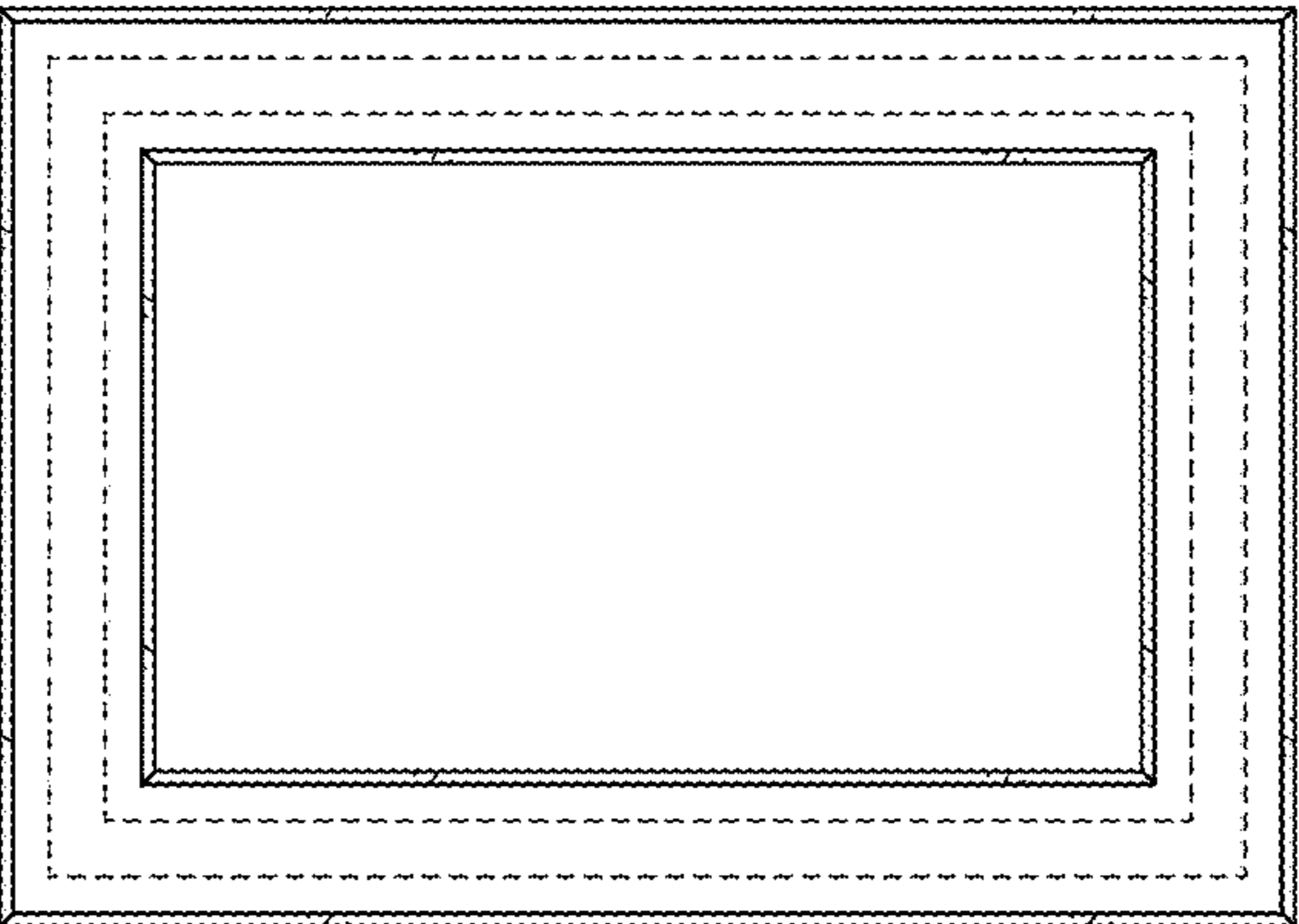


FIG. 14



FIG. 17



FIG. 18

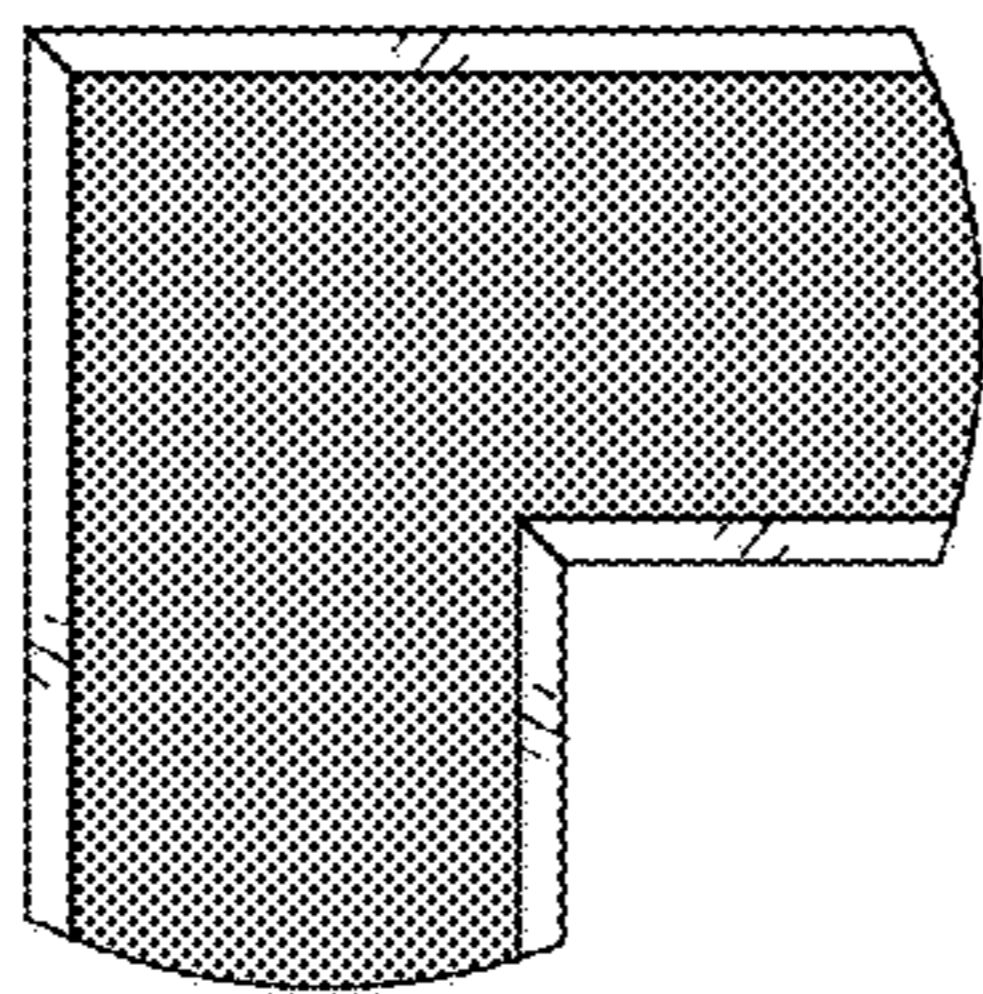


FIG. 22

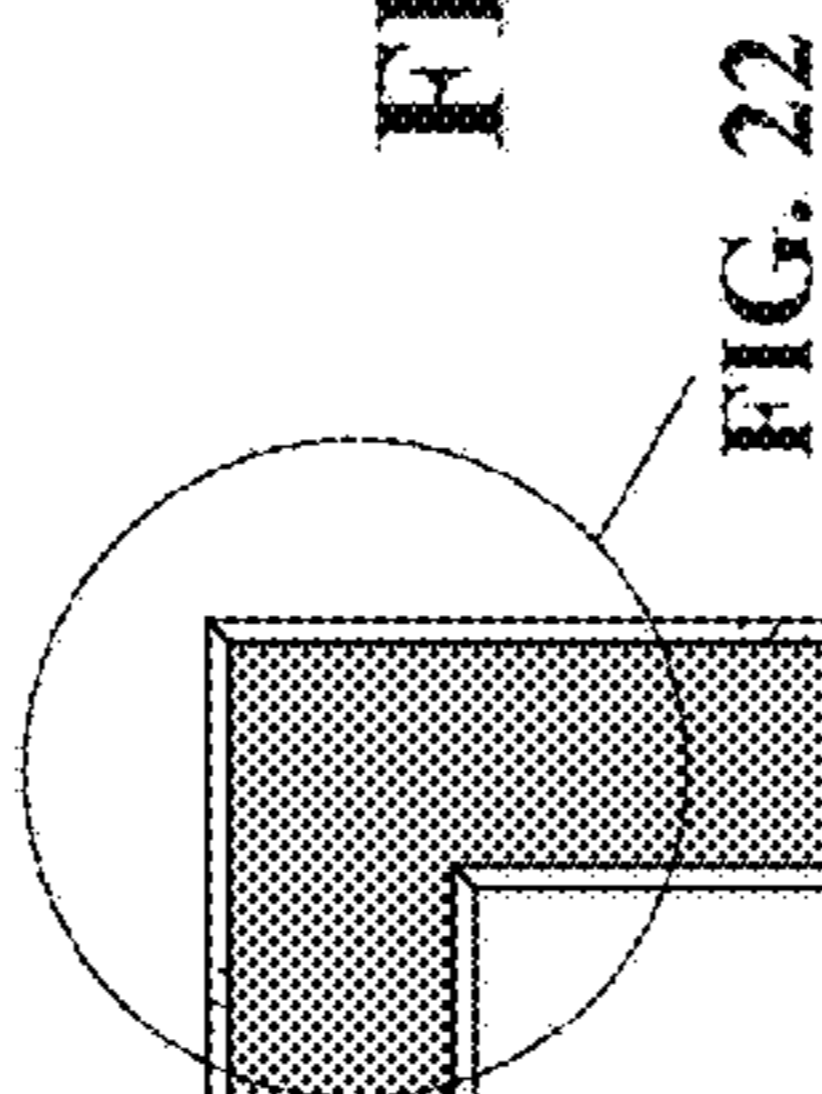


FIG. 22

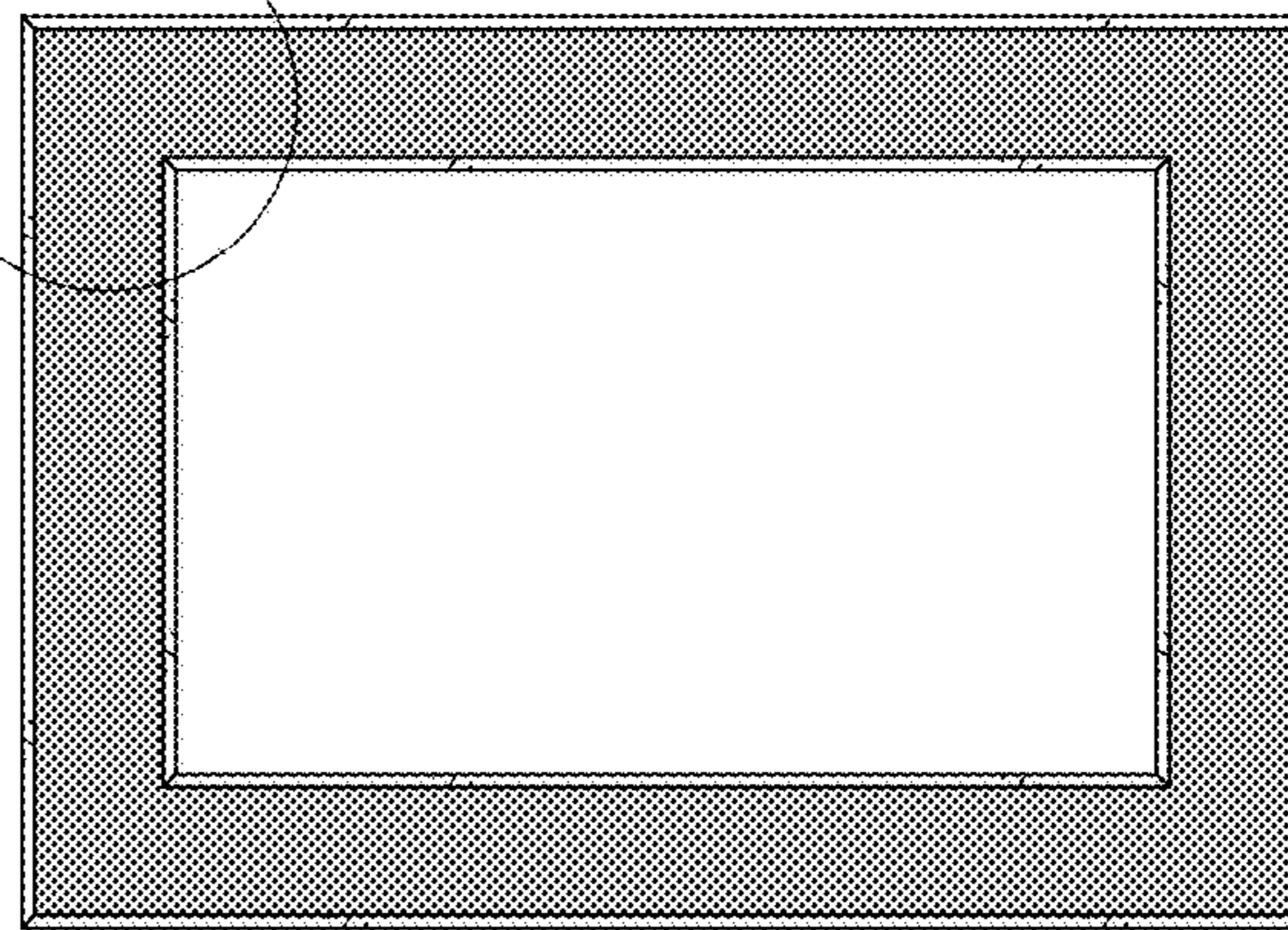


FIG. 19

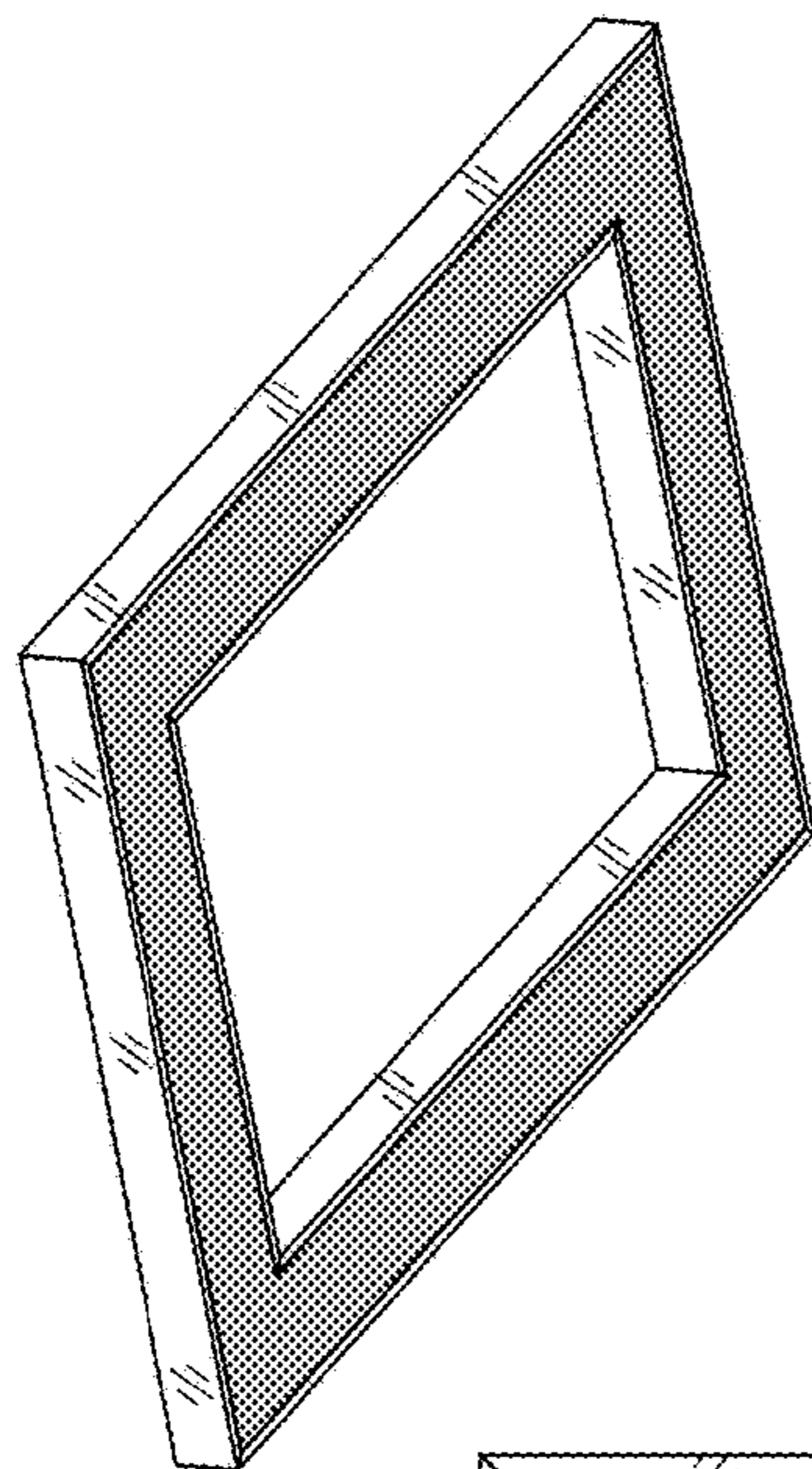


FIG. 21

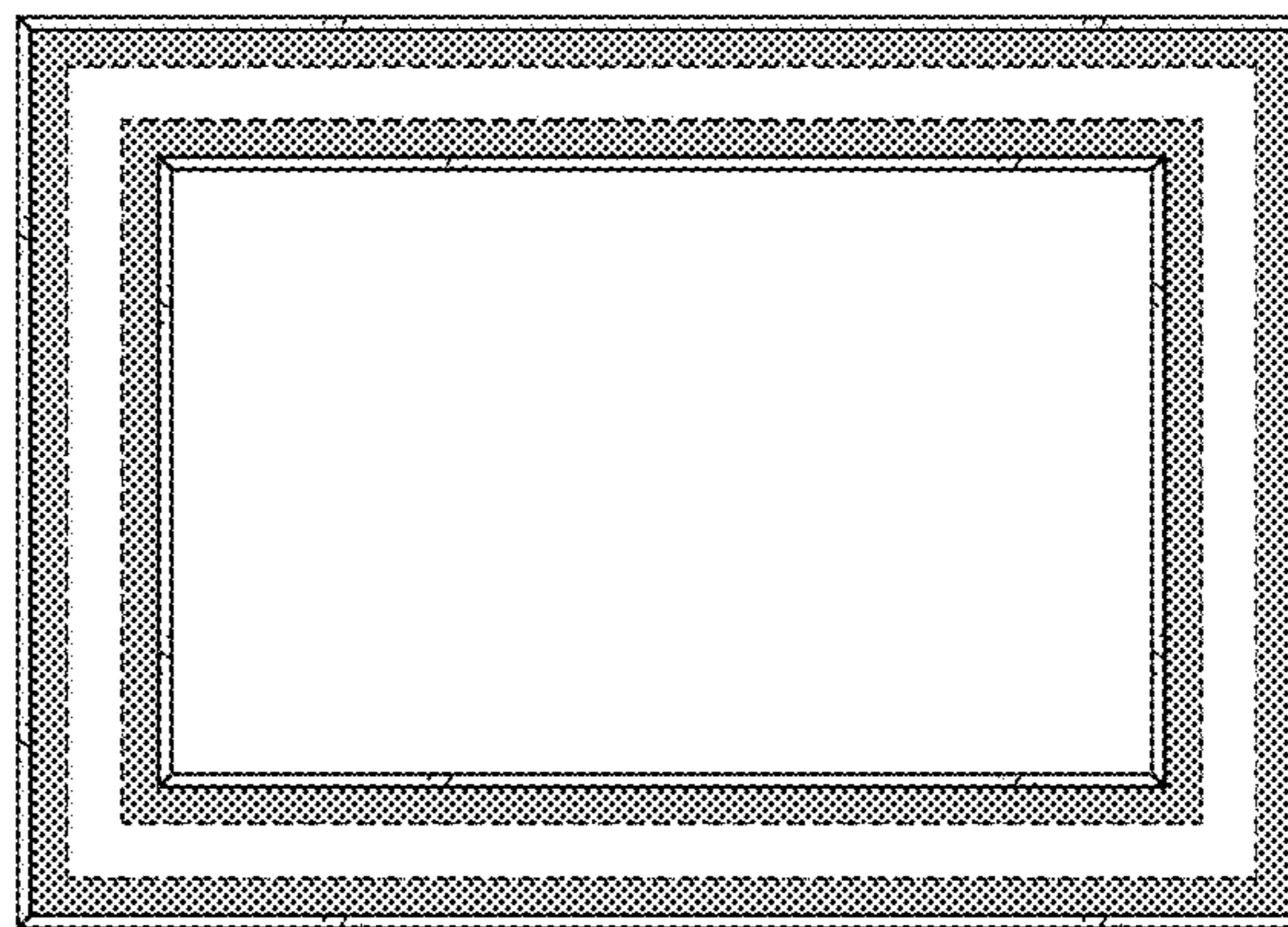


FIG. 20



FIG. 23



FIG. 24

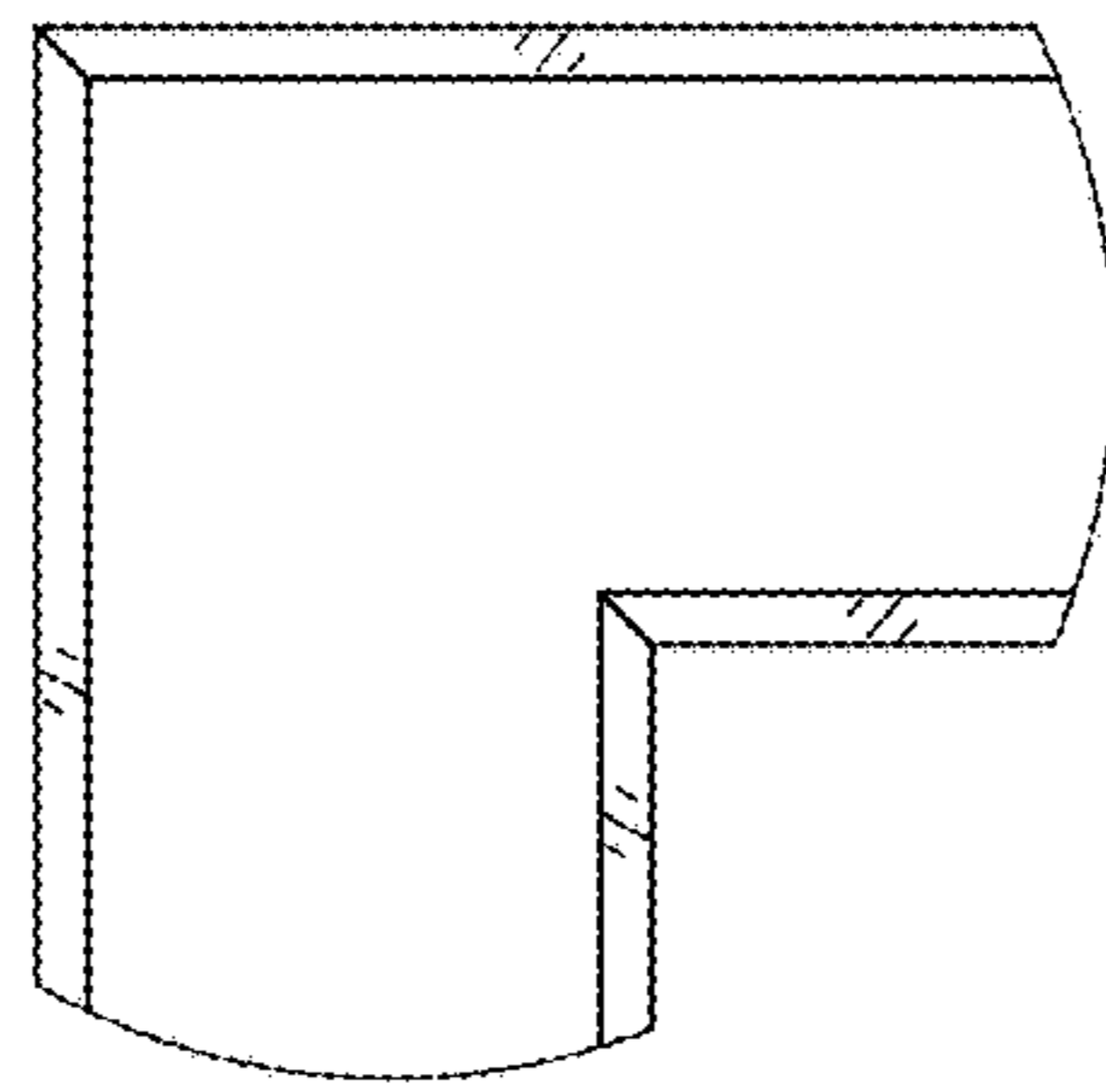


FIG. 28

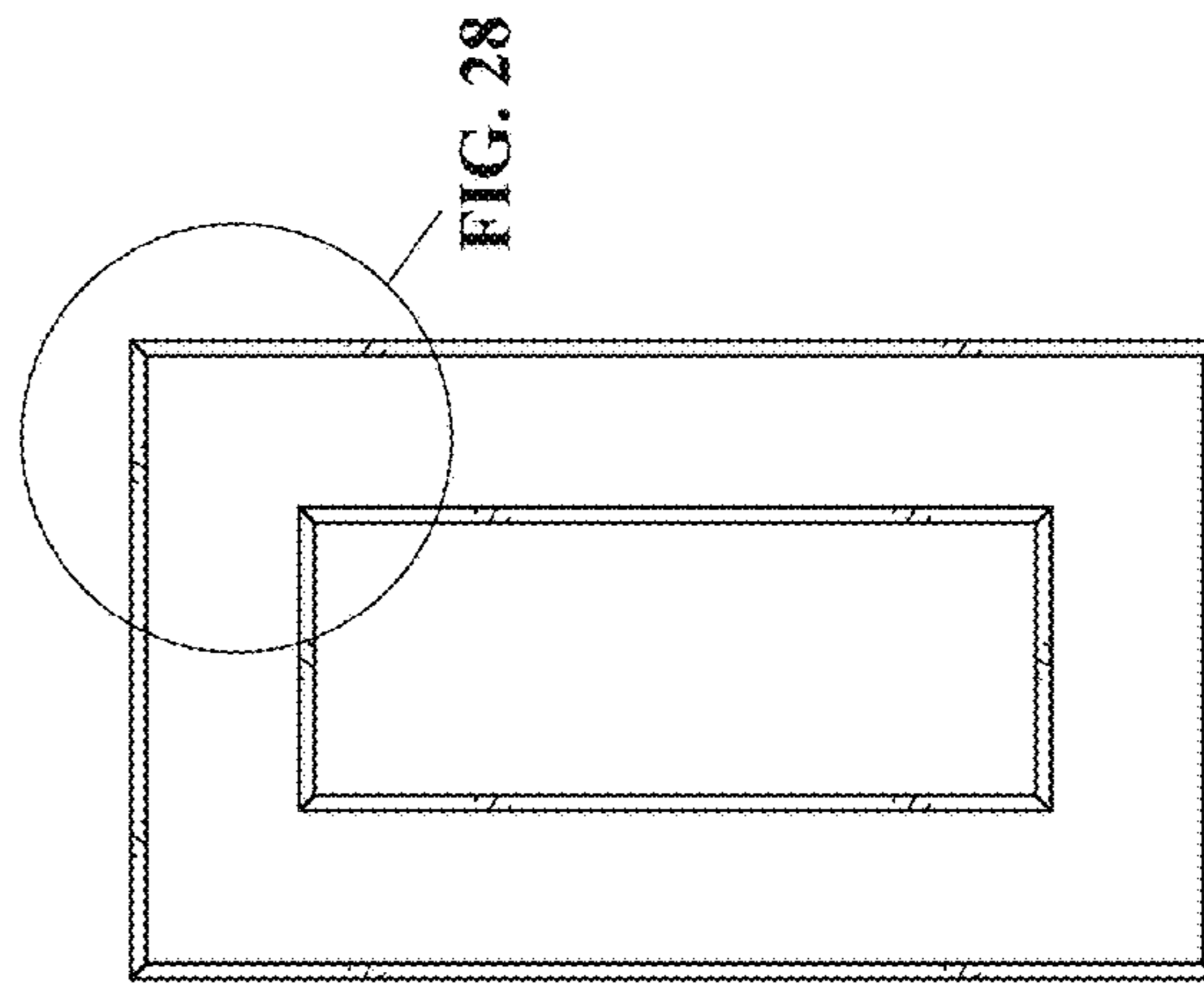


FIG. 25

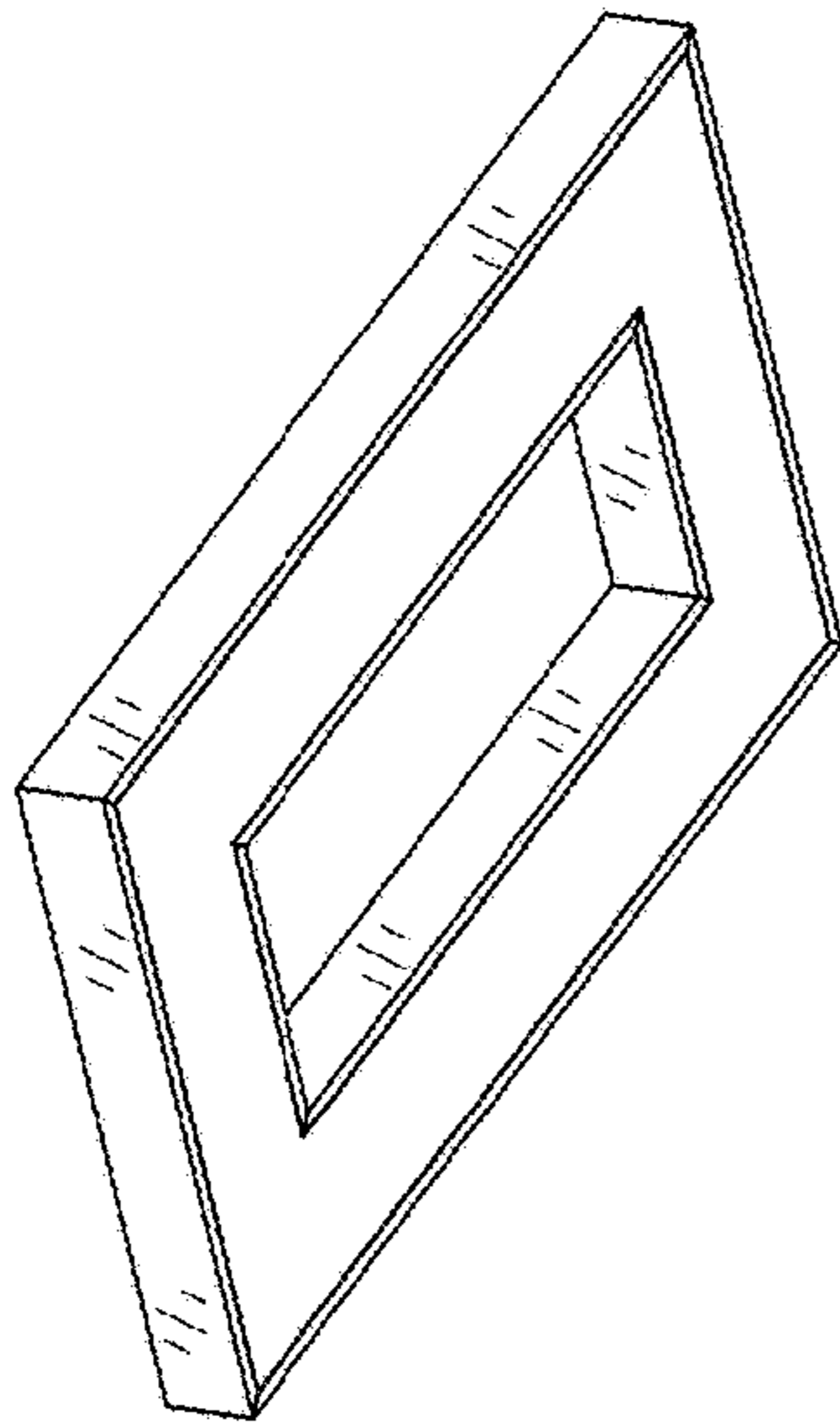


FIG. 27

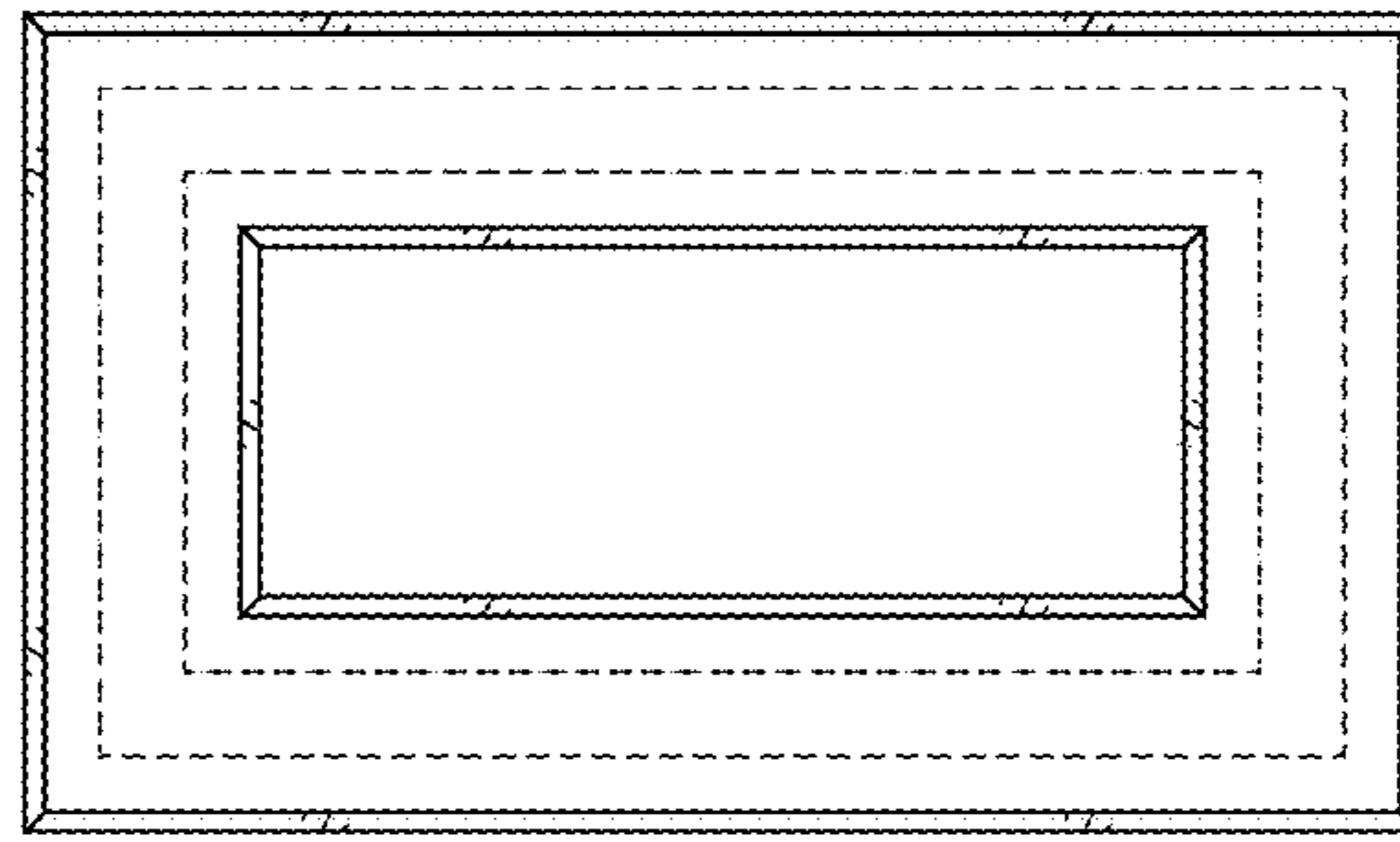


FIG. 26

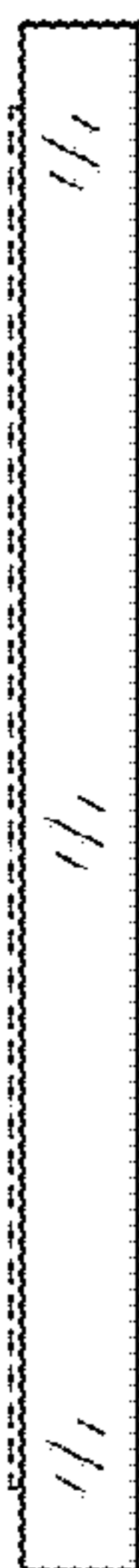


FIG. 29



FIG. 30

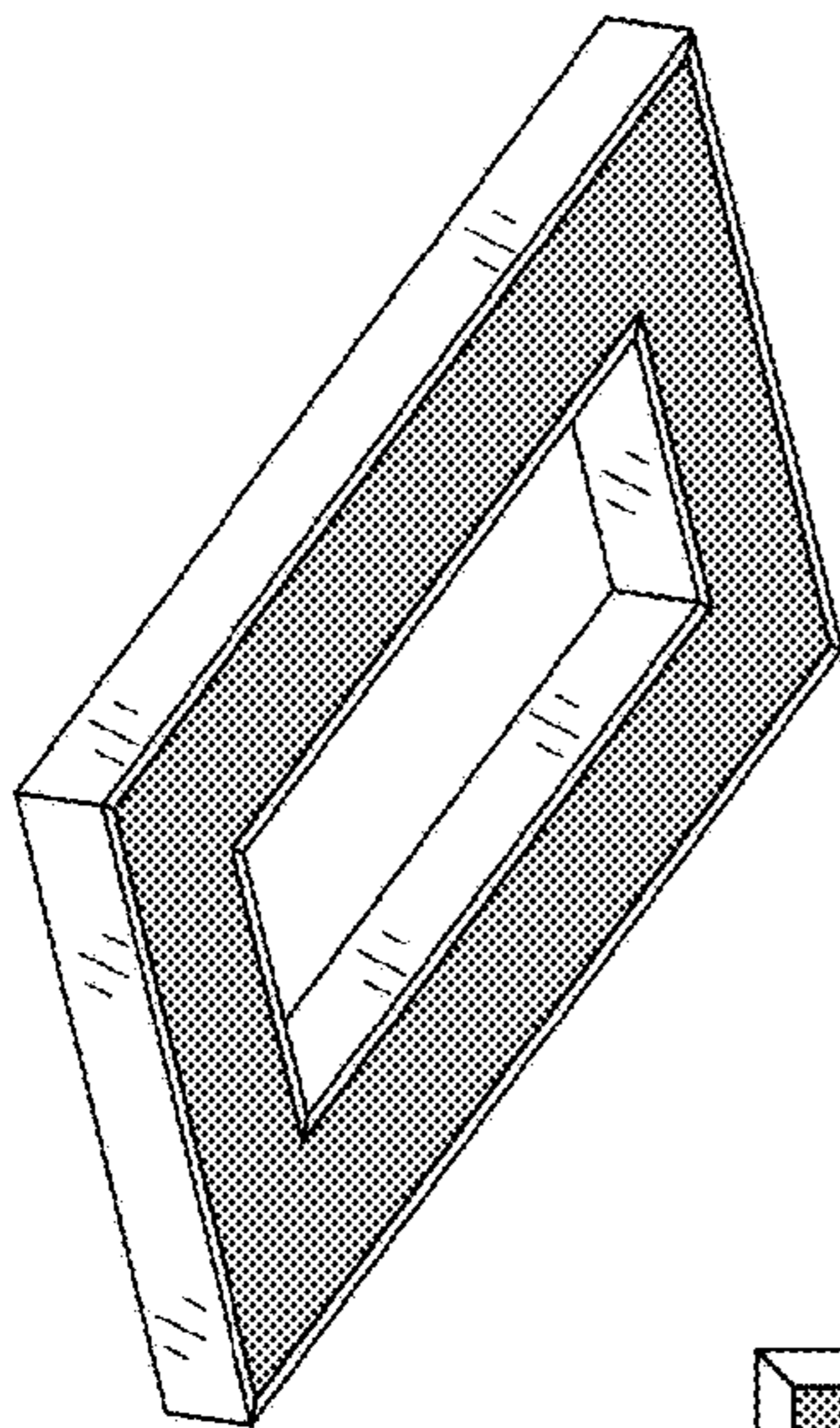


FIG. 33

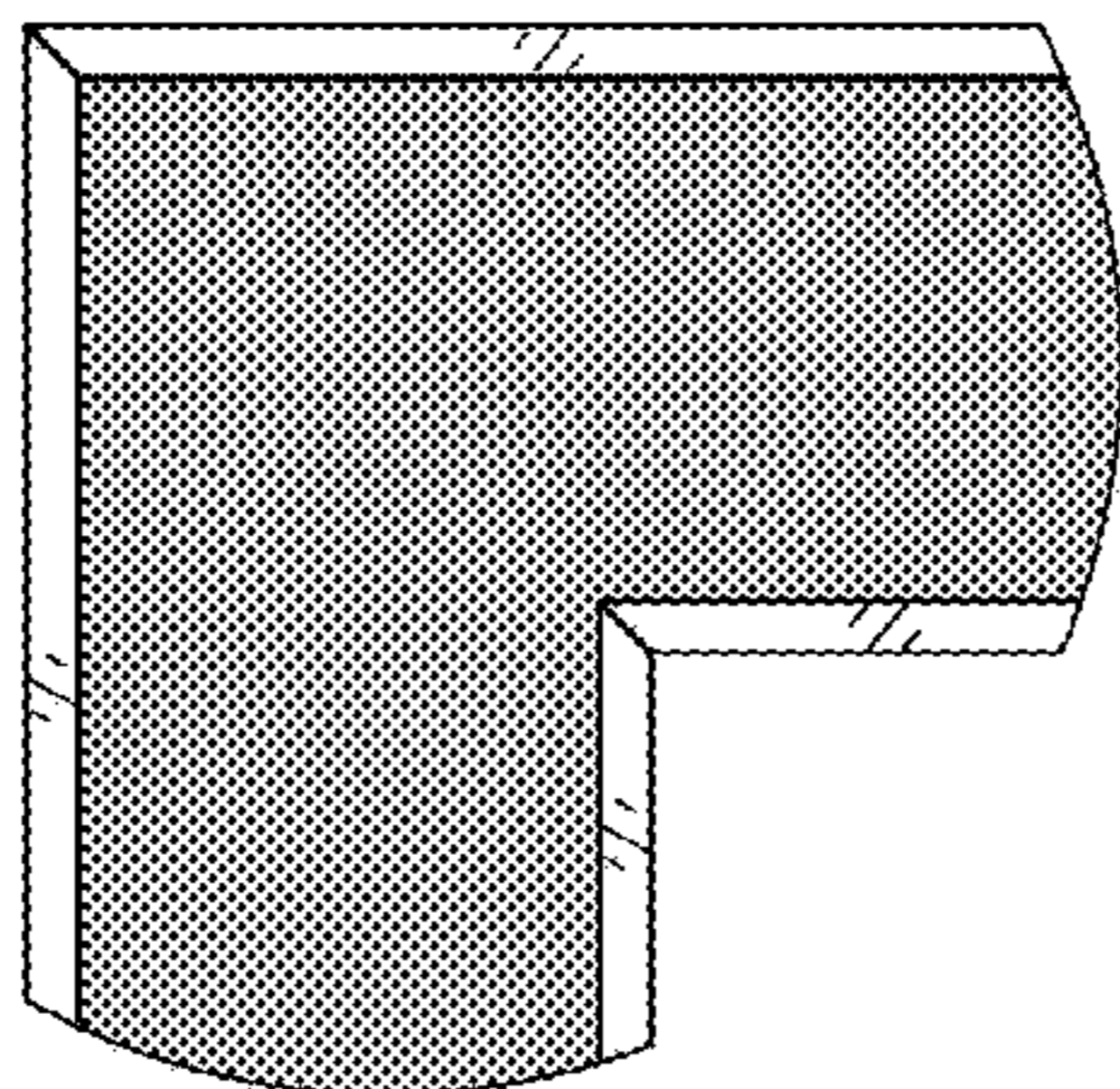


FIG. 34

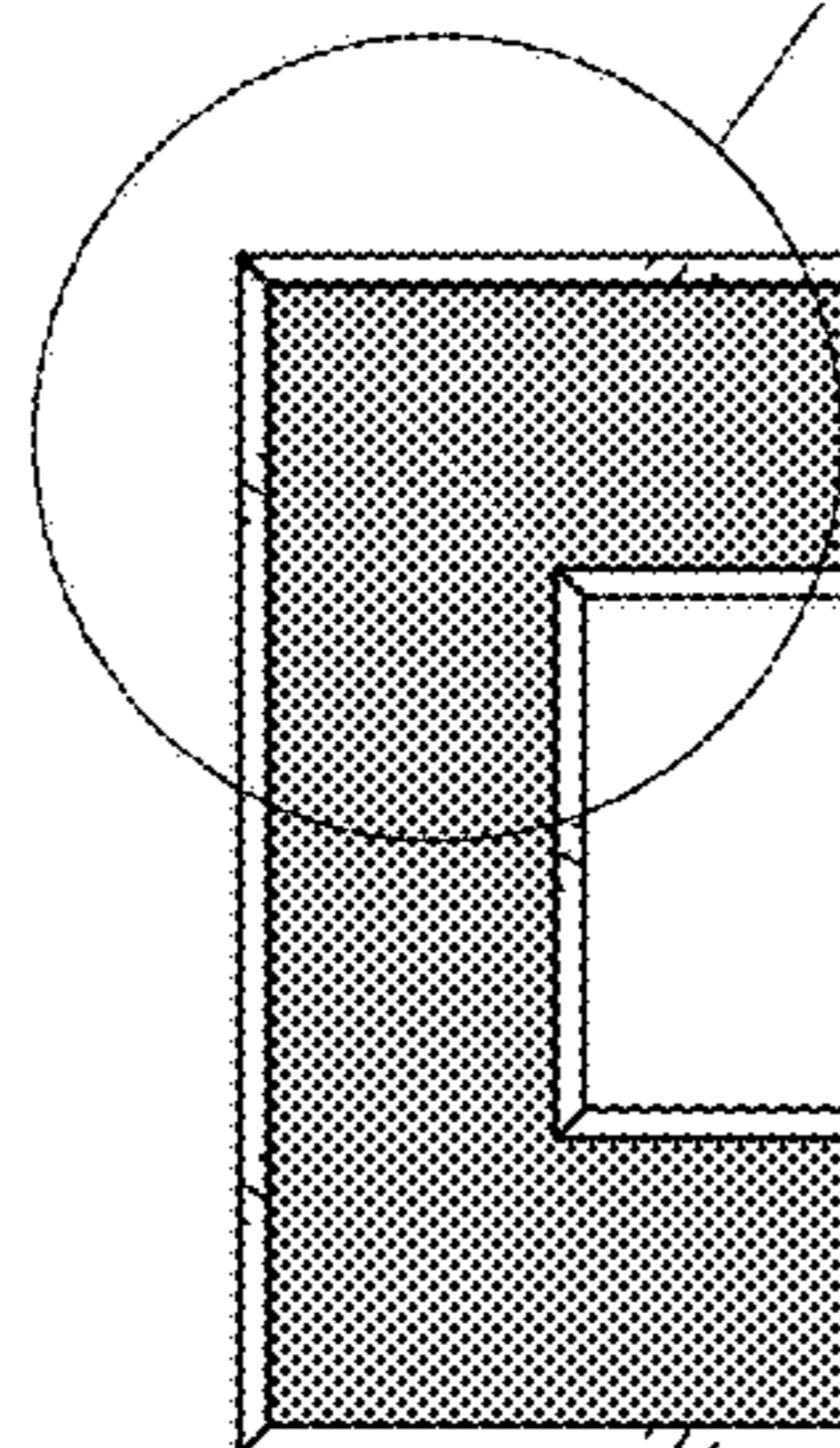


FIG. 31

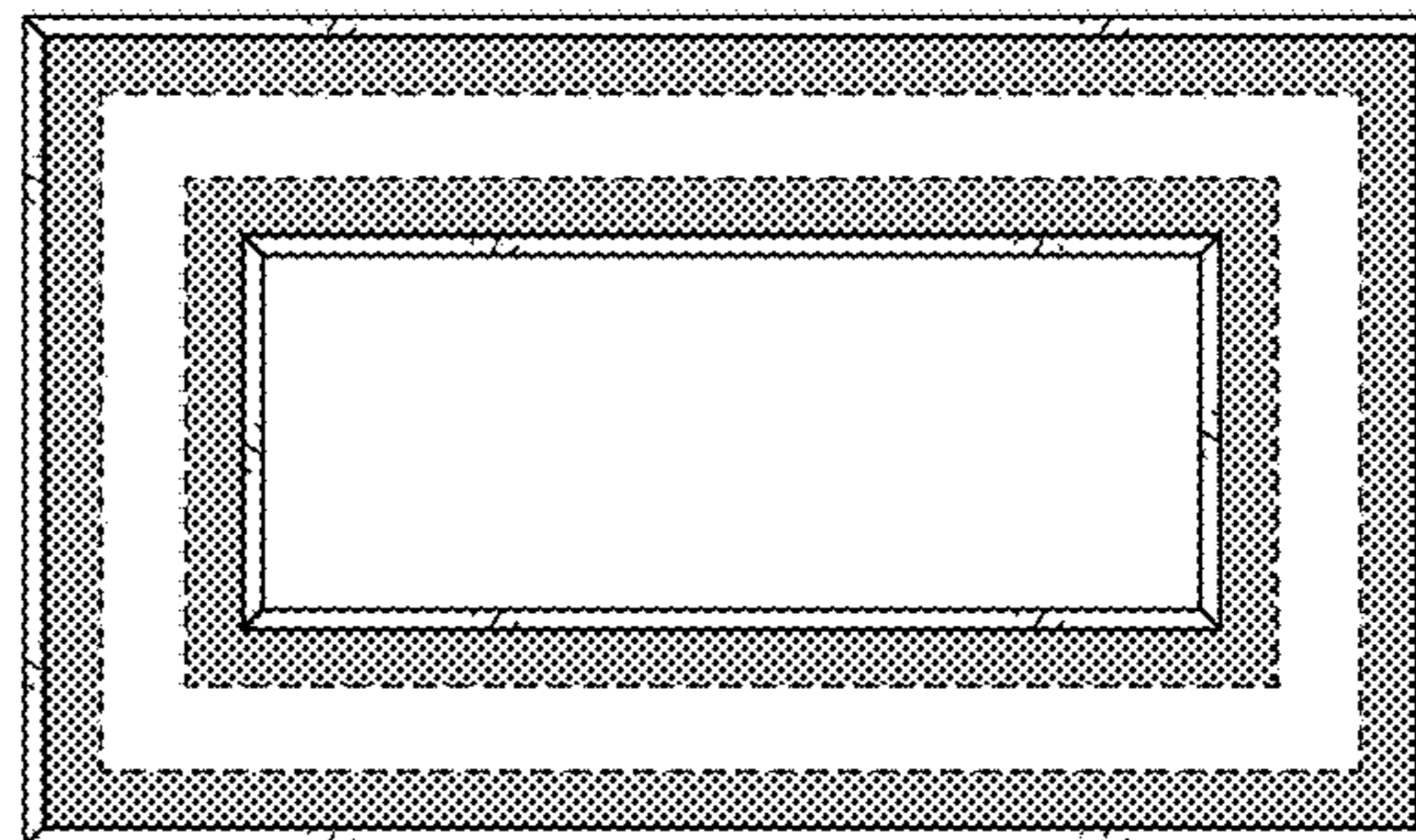


FIG. 32