



US00D835332S

(12) **United States Design Patent** (10) **Patent No.:** **US D835,332 S**  
**Chiu** (45) **Date of Patent:** **\*\* Dec. 4, 2018**

(54) **LIGHT**

(56) **References Cited**

(71) Applicant: **Halo Trademarks Limited**, Wong Chuk Hang (HK)  
(72) Inventor: **Wayne Chiu**, New Territories (HK)  
(73) Assignee: **HALO TRADEMARKS LIMITED**, Hong Kong (HK)  
(\*\*) Term: **15 Years**  
(21) Appl. No.: **29/620,599**  
(22) Filed: **Mar. 8, 2017**

U.S. PATENT DOCUMENTS

D204,080	S	*	3/1966	Buschcot	.....	D26/137
6,921,186	B1	*	7/2005	Viskovich	.....	F21S 8/04 362/147
D581,577	S	*	11/2008	Baldele	.....	D26/104
D587,837	S	*	3/2009	Schonbek	.....	D26/128
D593,702	S	*	6/2009	Sabernig	.....	D26/88
D612,531	S	*	3/2010	Smith	.....	D26/137
D625,459	S	*	10/2010	Brusemini	.....	D26/93
D636,522	S	*	4/2011	Gutting	.....	D26/137
D643,145	S	*	8/2011	Sabernig	.....	D26/93
D647,242	S	*	10/2011	Staples	.....	D26/93
D655,851	S	*	3/2012	Sabernig	.....	D26/88
D659,889	S	*	5/2012	Sabernig	.....	D26/93
D804,713	S	*	12/2017	Tsai	.....	D26/121

\* cited by examiner

(30) **Foreign Application Priority Data**

Sep. 8, 2016 (CN) ..... 2016 3 0465228

(51) **LOC (11) Cl.** ..... **26-99**

(52) **U.S. Cl.**  
USPC ..... **D26/110**

(58) **Field of Classification Search**  
USPC .... D26/1, 24, 67, 93-94, 104-110, 95, 101,  
D26/112, 118, 88, 121, 128, 137;  
D11/131, 157, 184  
CPC .. F21Y 2103/00; F21Y 2101/02; F21V 15/00;  
F21V 25/00; F21S 6/002; F21S 8/04  
See application file for complete search history.

*Primary Examiner* — Brian N. Vinson  
(74) *Attorney, Agent, or Firm* — Hogan Lovells US LLP

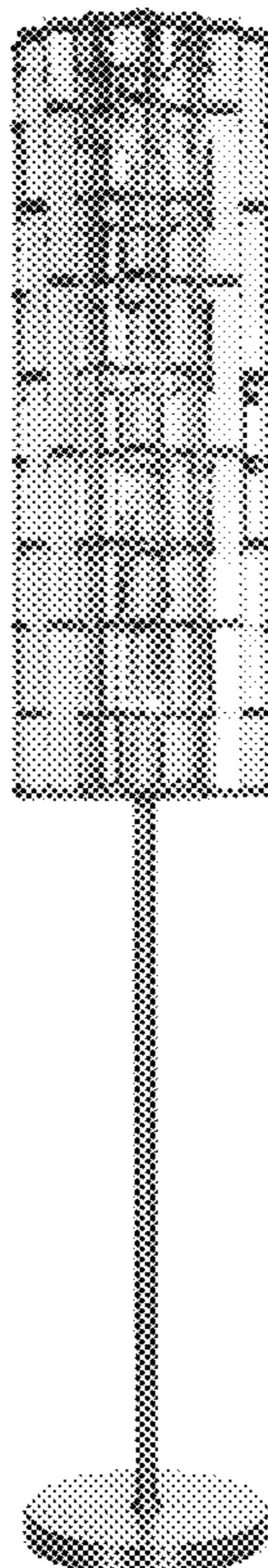
(57) **CLAIM**

The ornamental design for the light, as shown and described.

**DESCRIPTION**

FIG. 1 is a back view of the light;  
FIG. 2 is a front view of the light;  
FIG. 3 is a left-side view of the light;  
FIG. 4 is a perspective view of the light; and,  
FIG. 5 is a top view of the light.

**1 Claim, 5 Drawing Sheets**



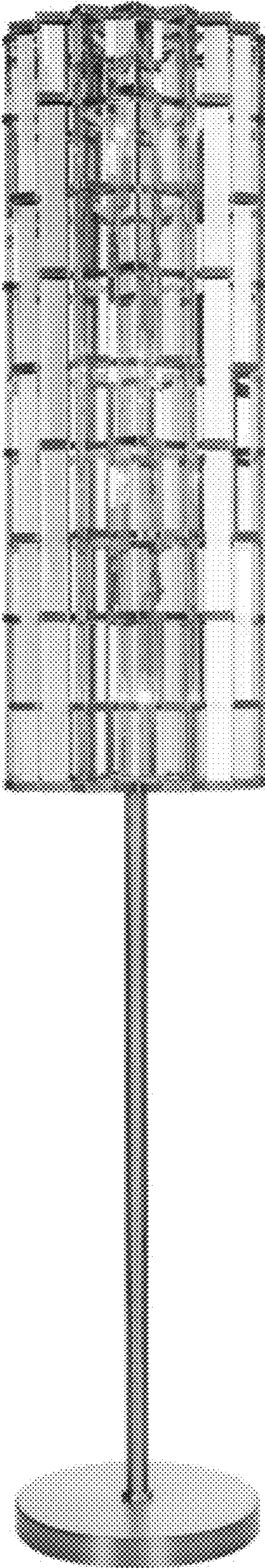


FIG. 1



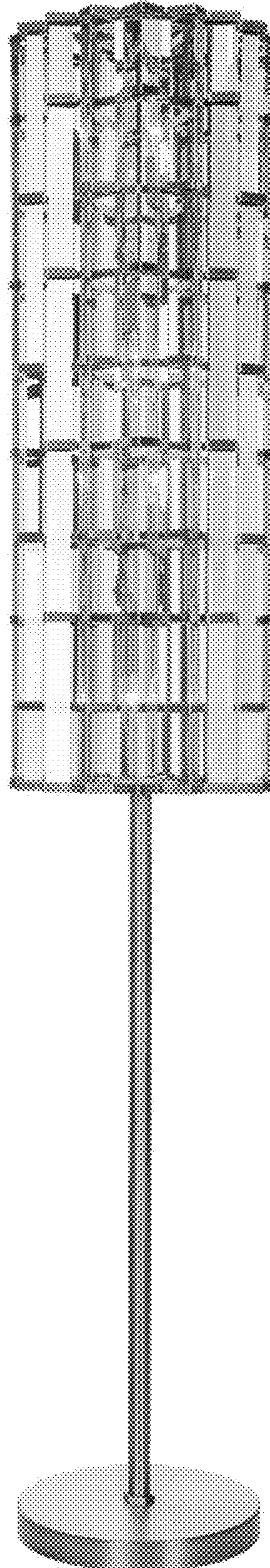


FIG. 2

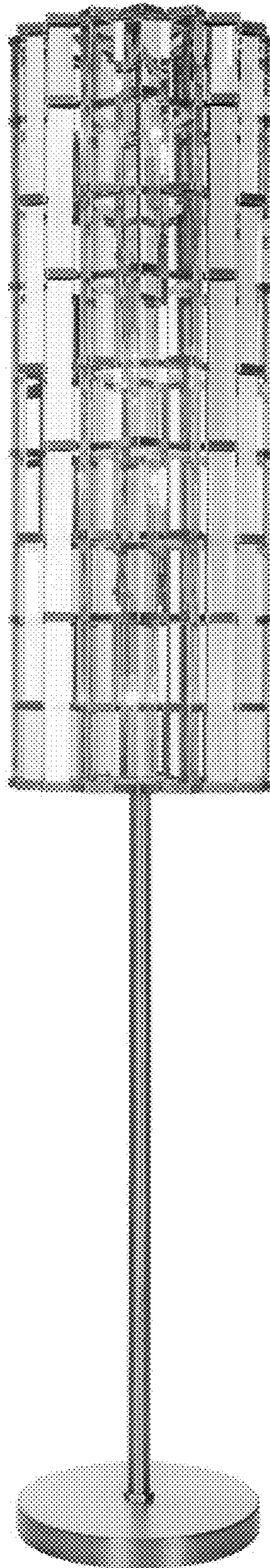


FIG. 3



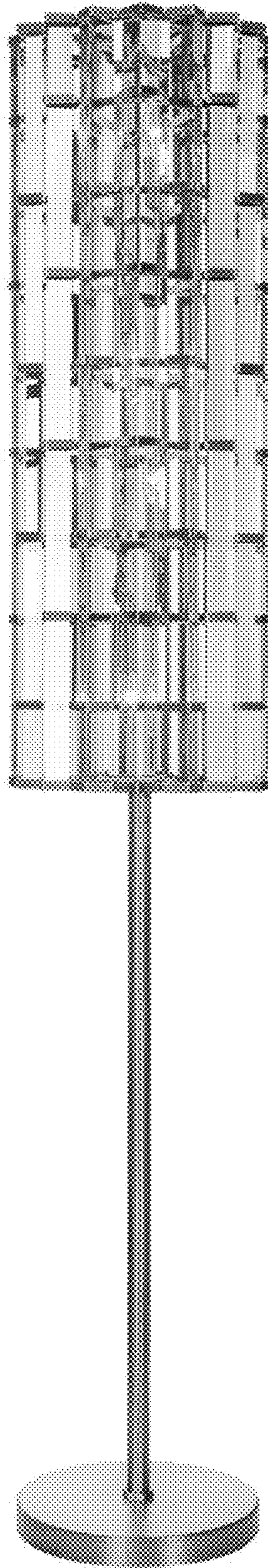


FIG. 4

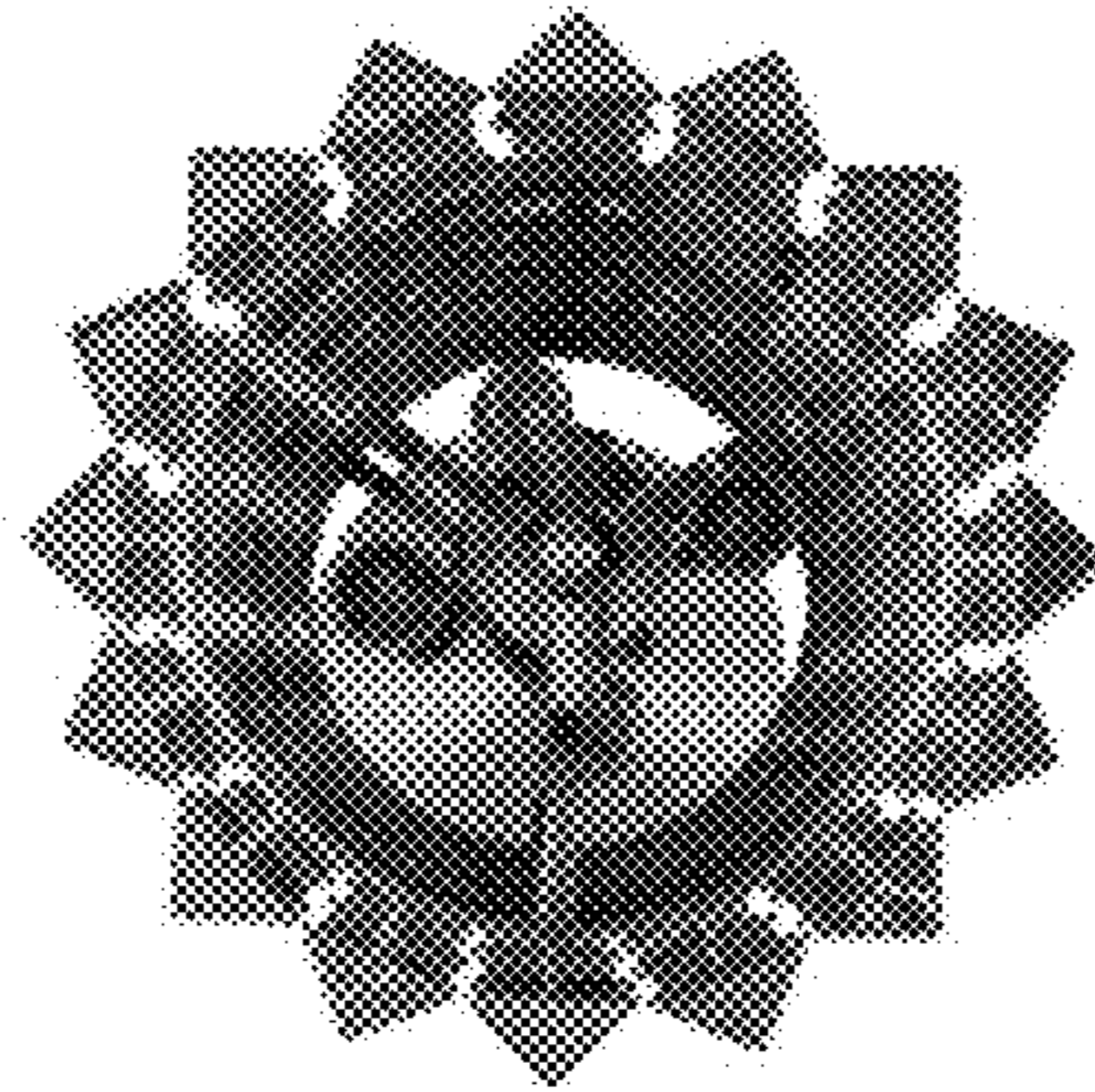


FIG. 5