



US00D835331S

(12) **United States Design Patent** (10) **Patent No.:** **US D835,331 S**  
**Richardson et al.** (45) **Date of Patent:** **\*\* Dec. 4, 2018**

- (54) **LIGHT ASSEMBLY**
- (71) Applicant: **Gold Crest LLC**, Santa Barbara, CA (US)
- (72) Inventors: **Pat Richardson**, Santa Barbara, CA (US); **Chris Woodward**, Barnet (GB); **Matt Miller**, Dallas, TX (US)
- (73) Assignee: **Gold Crest, LLC**, Santa Barbara, CA (US)
- (\*\*) Term: **15 Years**
- (21) Appl. No.: **29/602,535**
- (22) Filed: **May 1, 2017**
- (51) **LOC (11) Cl.** ..... **26-03**
- (52) **U.S. Cl.**  
USPC ..... **D26/107**
- (58) **Field of Classification Search**  
USPC ..... D26/24, 61, 63, 65, 107, 108  
CPC ..... F21V 21/14; F21V 15/01; F21V 14/02;  
F21V 21/30; F21V 21/00; F21V 14/00;  
F21V 1/00; F21V 21/116; F21V 21/34;  
F21S 8/00; F21S 8/003; F21S 8/043;  
F21S 6/00; F21S 6/002; F21S 8/08; F21Y  
2105/001; F21W 2131/30  
See application file for complete search history.

- (56) **References Cited**  
U.S. PATENT DOCUMENTS
- |              |         |            |               |
|--------------|---------|------------|---------------|
| 4,238,816 A  | 12/1980 | Merlo      |               |
| 4,432,042 A  | 2/1984  | Zeller     |               |
| D283,056 S   | 3/1986  | Ansems     |               |
| D301,753 S   | 6/1989  | Charet     |               |
| D328,358 S   | 7/1992  | Tsang      |               |
| D354,367 S * | 1/1995  | Harrington | ..... D26/107 |
| 5,613,771 A  | 3/1997  | Siverling  |               |
| D397,468 S   | 8/1998  | Zeller     |               |

- |              |         |                     |
|--------------|---------|---------------------|
| 5,822,546 A  | 10/1998 | George              |
| D411,639 S   | 6/1999  | Yang                |
| D418,240 S   | 12/1999 | Sherman             |
| D425,651 S   | 5/2000  | Gager et al.        |
| D427,703 S   | 7/2000  | Chan                |
| D435,679 S   | 12/2000 | Naghi et al.        |
| 6,172,884 B1 | 1/2001  | Lanni               |
| D448,104 S   | 9/2001  | Weitzman et al.     |
| 6,361,184 B1 | 3/2002  | Hallgrimsson et al. |
| D456,923 S   | 5/2002  | Konig               |
| 6,386,724 B2 | 5/2002  | Naghi               |
| 6,465,987 B1 | 10/2002 | Haas et al.         |
| D476,106 S   | 6/2003  | Kim                 |
| 6,586,849 B2 | 7/2003  | Tarr                |
| 6,680,844 B2 | 1/2004  | Kim                 |
| 6,711,006 B2 | 3/2004  | Chen                |
| D490,553 S   | 5/2004  | Waldmann            |
| 6,749,314 B2 | 6/2004  | Naghi et al.        |
| 6,773,192 B1 | 8/2004  | Chao                |
| 6,808,289 B2 | 10/2004 | Reed                |

(Continued)

*Primary Examiner* — Brian N. Vinson  
 (74) *Attorney, Agent, or Firm* — Tsircou Law, P.C.

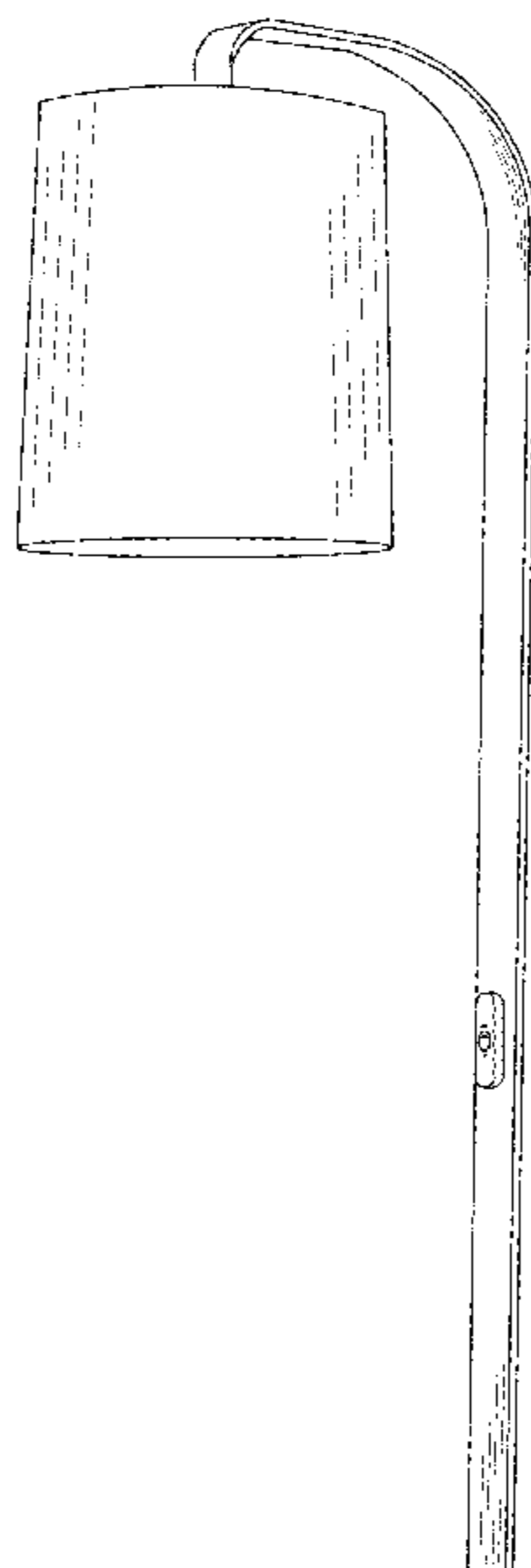
(57) **CLAIM**

We claim the ornamental design for a light assembly, as shown and described.

**DESCRIPTION**

- FIG. 1 a perspective view of a light assembly of the new design.  
 FIG. 2 is a front elevational view of the light assembly of FIG. 1.  
 FIG. 3 is a back elevational view of the light assembly of FIG. 1.  
 FIG. 4 is a first side view of the light assembly of FIG. 1.  
 FIG. 5 is a second side view of the light assembly of FIG. 1.  
 FIG. 6 is a top view of the light assembly of FIG. 1; and,  
 FIG. 7 is a bottom view of the light assembly of FIG. 1.

**1 Claim, 5 Drawing Sheets**



(56)

References Cited

U.S. PATENT DOCUMENTS

D498,322 S 11/2004 Schnell  
 6,851,819 B2 2/2005 Naghi et al.  
 D506,279 S 6/2005 Sirichai  
 6,921,284 B2 7/2005 Sirichai et al.  
 7,004,596 B2 2/2006 Merrem  
 D522,677 S 6/2006 Ming  
 D526,340 S 8/2006 Hodgson  
 D529,651 S 10/2006 Chan  
 D534,300 S \* 12/2006 Eikelenboom ..... D26/107  
 D562,485 S 2/2008 Brown  
 D567,431 S 4/2008 Garner et al.  
 D574,990 S \* 8/2008 Tsai ..... D26/107  
 D589,645 S 3/2009 Citterio  
 7,541,692 B2 6/2009 Hirst et al.  
 D608,925 S 1/2010 Hodgson  
 7,649,279 B2 1/2010 Lanni  
 7,727,031 B2 6/2010 Lord  
 D629,132 S 12/2010 Huang  
 D636,513 S 4/2011 Furtsch  
 D641,902 S 7/2011 Chan  
 D669,627 S 10/2012 Huang  
 D688,289 S 8/2013 Hodgson  
 D698,962 S 2/2014 Waldmann

D703,864 S \* 4/2014 Blum ..... D26/118  
 D742,573 S \* 11/2015 Kern ..... D26/107  
 D744,153 S 11/2015 Hodgson  
 D744,693 S 12/2015 Kitts  
 D754,382 S 4/2016 Van Oord  
 D768,077 S 10/2016 Wahl  
 D768,908 S 10/2016 Fisher et al.  
 D769,512 S 10/2016 Edgar et al.  
 D776,336 S 1/2017 Ng et al.  
 D788,961 S 6/2017 Edgar et al.  
 D788,962 S 6/2017 Edgar et al.  
 D788,974 S 6/2017 Edgar et al.  
 D790,751 S 6/2017 Kaiser  
 D802,201 S 11/2017 Xu  
 D810,986 S \* 2/2018 Shilong ..... D26/87  
 2001/0043468 A1 11/2001 Krietzman et al.  
 2001/0048409 A1 12/2001 Kim  
 2002/0186563 A1 12/2002 Krietzman et al.  
 2003/0223228 A1 12/2003 Krietzman  
 2004/0017677 A1 1/2004 Krietzman  
 2004/0042735 A1 3/2004 Ma  
 2004/0090795 A1 5/2004 Kim  
 2005/0083677 A1 4/2005 Krietzman  
 2006/0109620 A1 5/2006 Kim  
 2017/0067625 A1 3/2017 Edgar et al.

\* cited by examiner

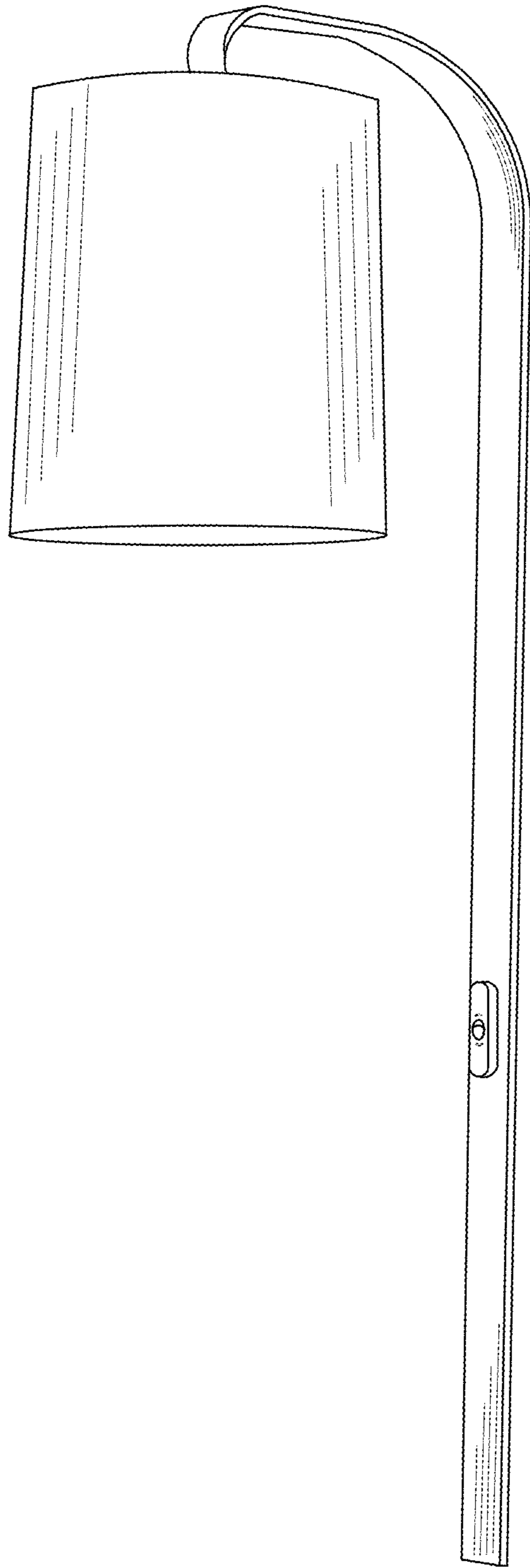


FIG. 1

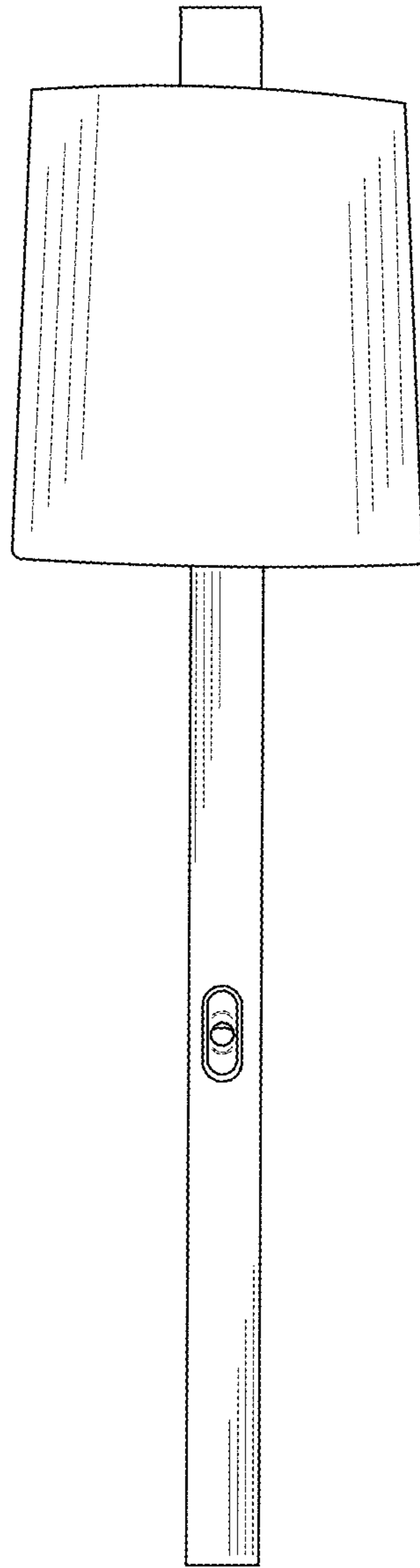


FIG. 2

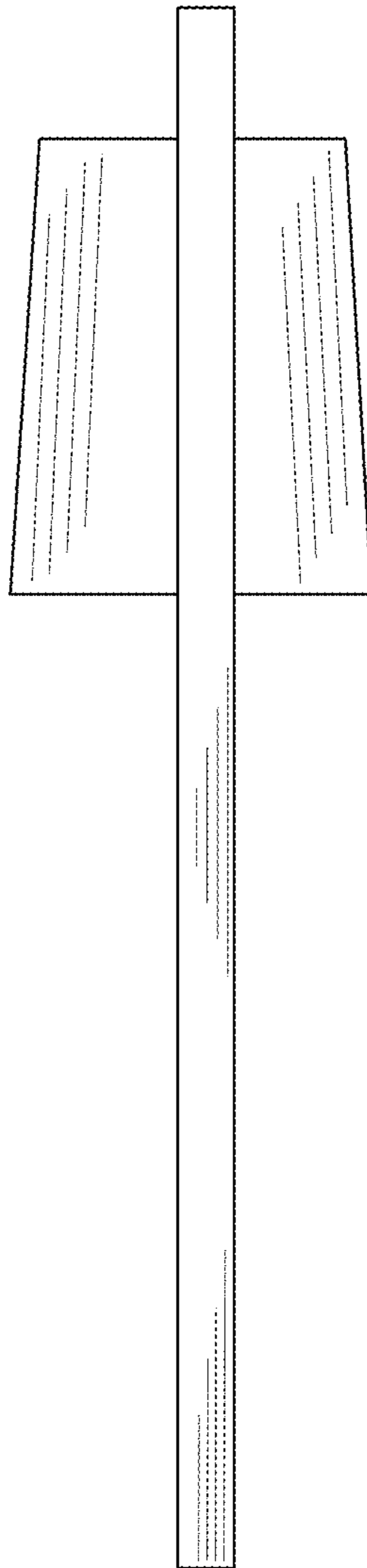


FIG. 3

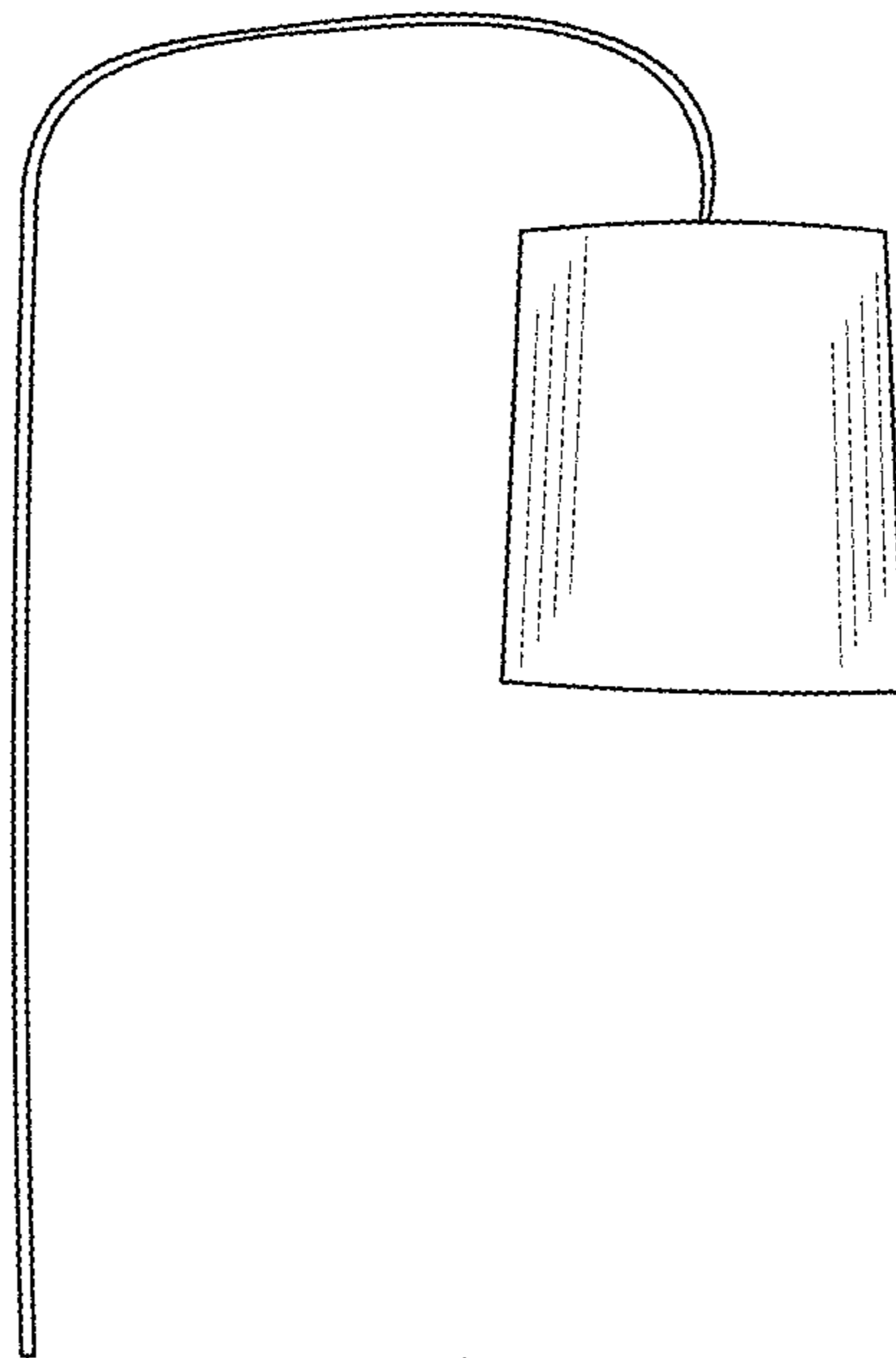


FIG. 4

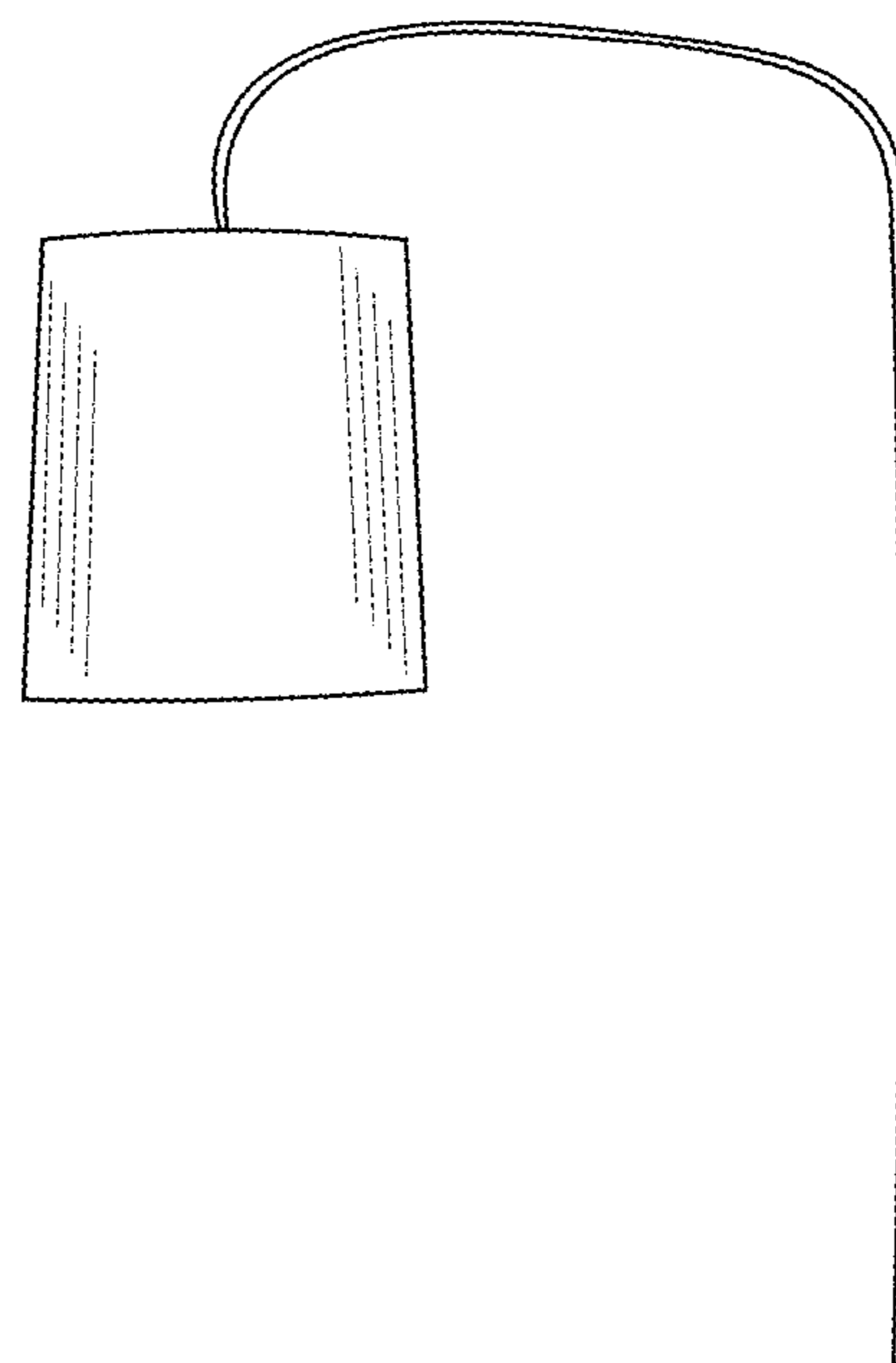


FIG. 5

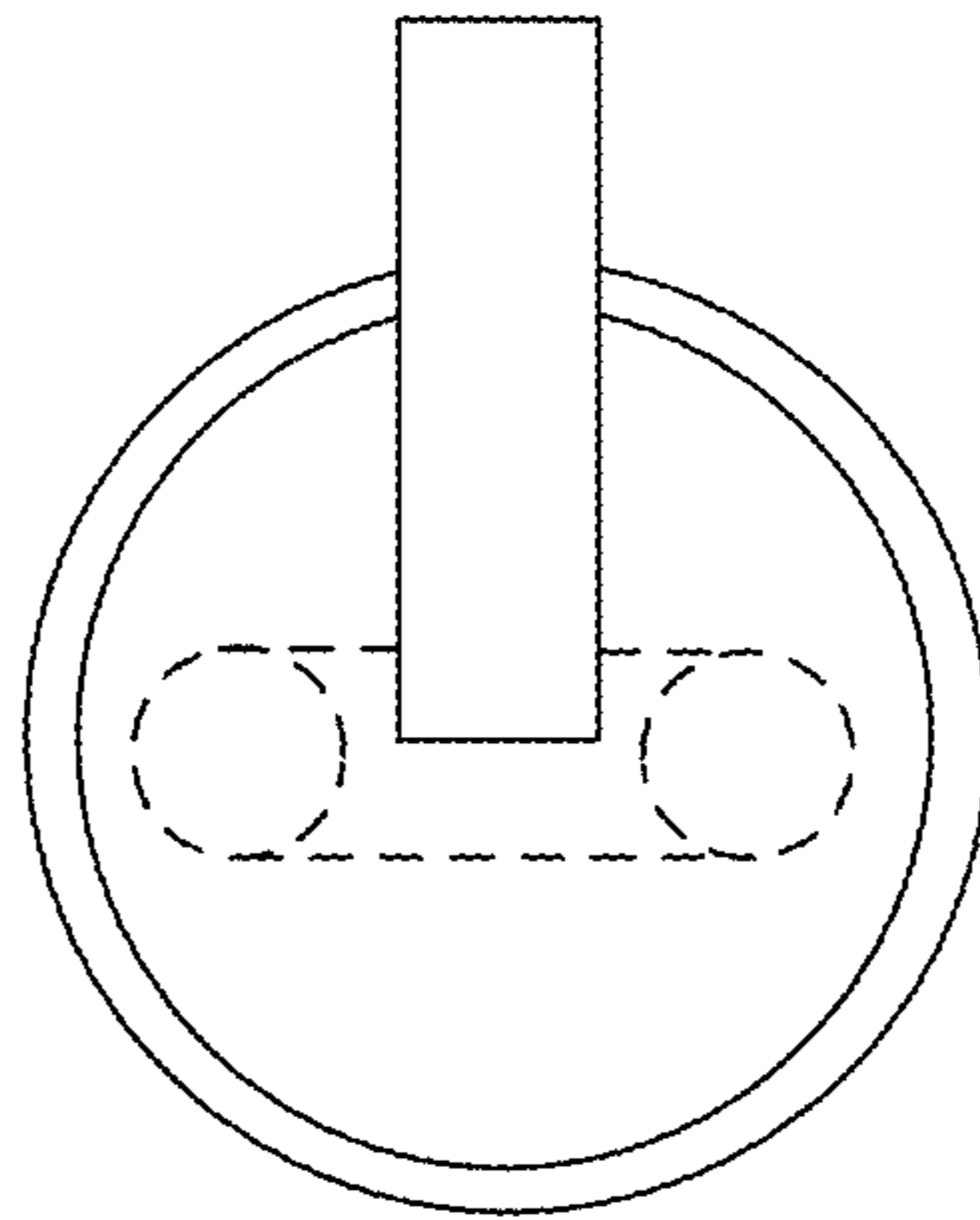


FIG. 6

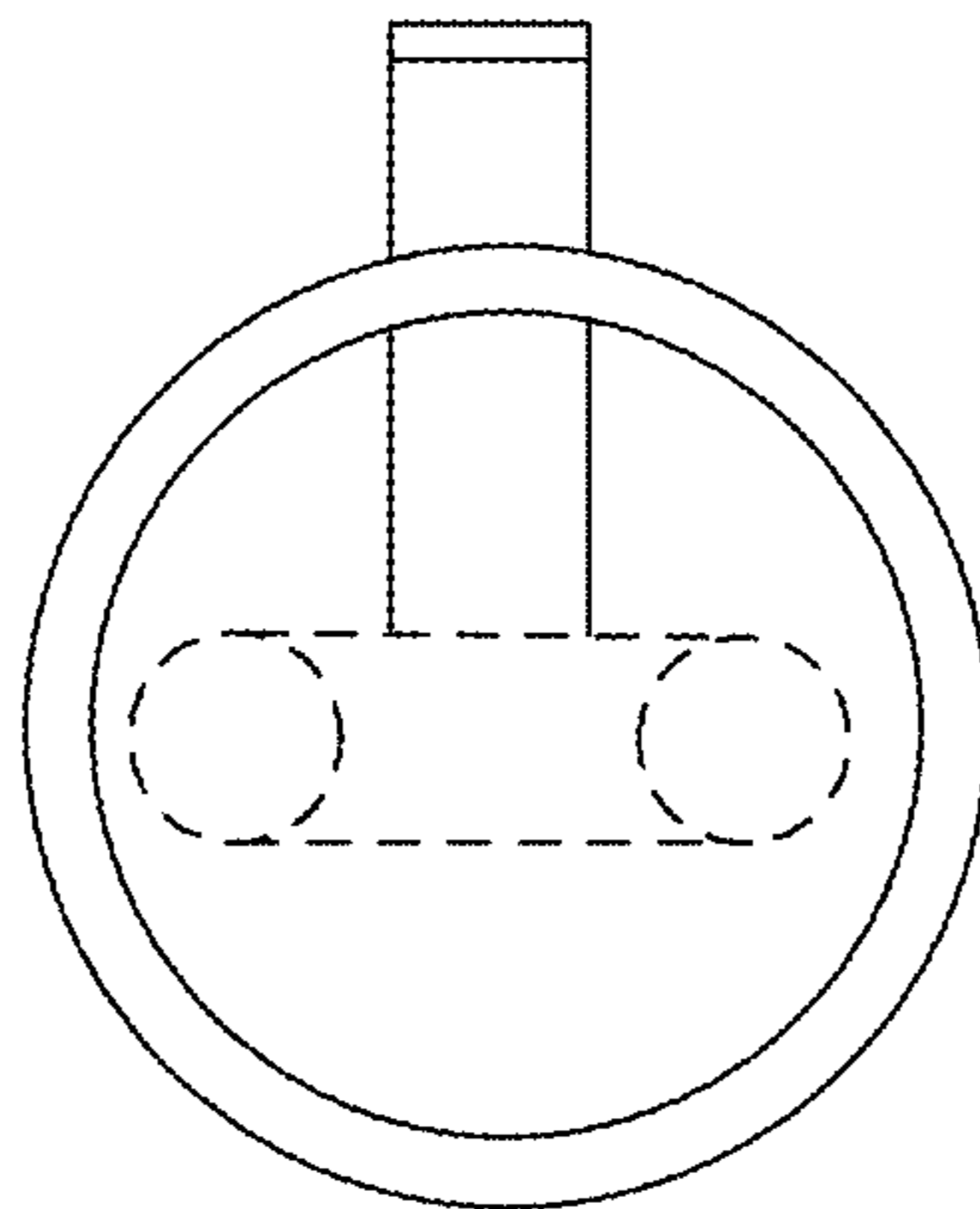


FIG. 7