



US00D835330S

(12) **United States Design Patent** (10) **Patent No.:** **US D835,330 S**  
**Richardson et al.** (45) **Date of Patent:** **\*\* Dec. 4, 2018**

- (54) **DESK LAMP ASSEMBLY**
- (71) Applicant: **Gold Crest LLC**, Santa Barbara, CA (US)
- (72) Inventors: **Pat Richardson**, Santa Barbara, CA (US); **Chris Woodward**, Barnet (GB); **Matt Miller**, Dallas, TX (US)
- (73) Assignee: **Gold Crest, LLC**, Santa Barbara, CA (US)
- (\*\*) Term: **15 Years**
- (21) Appl. No.: **29/602,527**
- (22) Filed: **May 1, 2017**
- (51) **LOC (11) Cl.** ..... **26-03**
- (52) **U.S. Cl.**  
USPC ..... **D26/107**
- (58) **Field of Classification Search**  
USPC ..... D26/24, 93, 106, 107, 109  
CPC .. F21S 6/002; F21S 6/004; F21S 6/006; F21S 8/00; F21S 10/00; F21V 21/02; F21W 2131/30; F21Y 2105/00  
See application file for complete search history.

- (56) **References Cited**  
U.S. PATENT DOCUMENTS

4,238,816 A	12/1980	Merlo	
4,432,042 A	2/1984	Zeller	
D283,056 S	3/1986	Ansems	
D301,753 S	6/1989	Charet	
D328,358 S	7/1992	Tsang	
5,613,771 A	3/1997	Siverling	
D397,468 S	8/1998	Zeller	
5,822,546 A	10/1998	George	
D411,639 S *	6/1999	Yang	..... D26/107
D418,240 S	12/1999	Sherman	
D425,651 S	5/2000	Gager et al.	
D427,703 S	7/2000	Chan	

- D435,679 S 12/2000 Naghi et al.
- 6,172,884 B1 1/2001 Lanni
- D448,104 S 9/2001 Weitzman et al.
- 6,361,184 B1 3/2002 Hallgrimsson et al.
- D456,923 S 5/2002 Konig
- 6,386,724 B2 5/2002 Naghi
- 6,465,987 B1 10/2002 Haas et al.
- D476,106 S 6/2003 Kim
- 6,586,849 B2 7/2003 Tarr
- 6,680,844 B2 1/2004 Kim
- 6,711,006 B2 3/2004 Chen
- D490,553 S 5/2004 Waldmann
- 6,749,314 B2 6/2004 Naghi et al.
- 6,773,192 B1 8/2004 Chao
- 6,808,289 B2 10/2004 Reed

(Continued)

*Primary Examiner* — Brian N. Vinson  
(74) *Attorney, Agent, or Firm* — Tsircou Law PC.

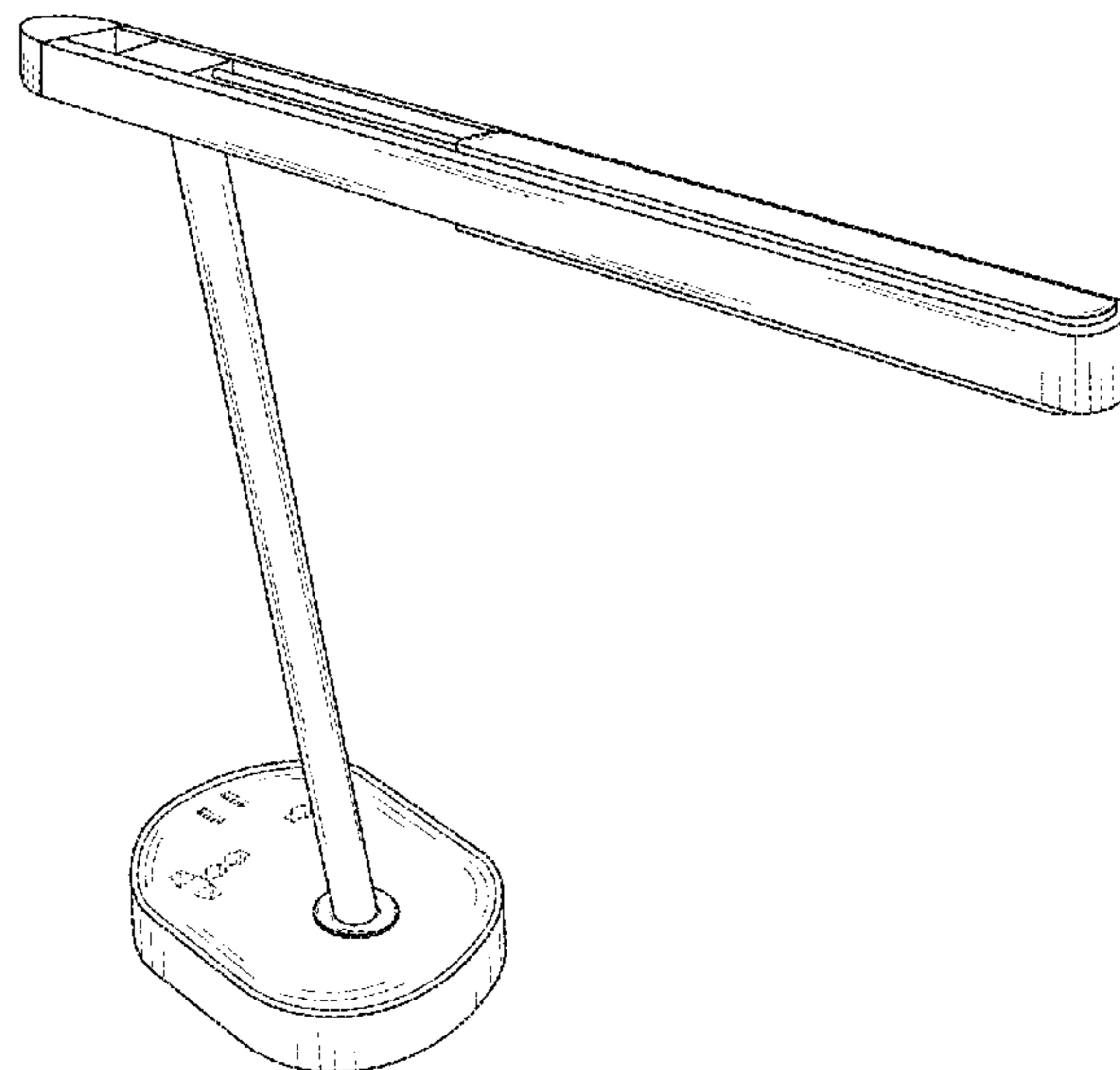
(57) **CLAIM**

We claim the ornamental design for a desk lamp assembly, as shown and described.

**DESCRIPTION**

FIG. 1 a perspective view of a desk lamp assembly of the new design.  
 FIG. 2 is a front elevational view of the desk lamp assembly of FIG. 1.  
 FIG. 3 is a back elevational view of the desk lamp assembly of FIG. 1.  
 FIG. 4 is a first side view of the desk lamp assembly of FIG. 1.  
 FIG. 5 is a second side view of the desk lamp assembly of FIG. 1.  
 FIG. 6 is a top view of the desk lamp assembly of FIG. 1; and,  
 FIG. 7 is a bottom view of the desk lamp assembly of FIG. 1. The broken line disclosure represents portions of the desk lamp assembly that form no part of the claimed design.

**1 Claim, 5 Drawing Sheets**



(56)

References Cited

U.S. PATENT DOCUMENTS

D498,322 S	11/2004	Schnell	D698,962 S	2/2014	Waldmann
6,851,819 B2	2/2005	Naghi et al.	D744,153 S	11/2015	Hodgson
D506,279 S	6/2005	Sirichai et al.	D744,693 S *	12/2015	Kitts ..... D26/107
6,921,284 B2	7/2005	Sirichai et al.	D754,382 S	4/2016	van Oord
7,004,596 B2	2/2006	Merrem	D768,077 S	10/2016	Wahl
D522,677 S	6/2006	Ming	D768,908 S *	10/2016	Fisher ..... D26/107
D526,340 S	8/2006	Hodgson	D769,512 S	10/2016	Edgar et al.
D529,651 S	10/2006	Chan	D776,336 S	1/2017	Ng et al.
D562,485 S	2/2008	Brown	D788,961 S	6/2017	Edgar et al.
D567,431 S *	4/2008	Garner ..... D26/107	D788,962 S	6/2017	Edgar et al.
D589,645 S	3/2009	Citterio	D788,974 S	6/2017	Edgar et al.
7,541,692 B2	6/2009	Hirst et al.	D790,751 S	6/2017	Kaiser
D608,925 S	1/2010	Hodgson	D802,201 S	11/2017	Xu
7,649,279 B2	1/2010	Lanni	2001/0043468 A1	11/2001	Krietzman et al.
7,727,031 B2	6/2010	Lord	2001/0048409 A1	12/2001	Kim
D629,132 S	12/2010	Huang	2002/0186563 A1	12/2002	Krietzman et al.
D636,513 S	4/2011	Furtsch	2003/0223228 A1	12/2003	Krietzman
D641,902 S	7/2011	Chan	2004/0017677 A1	1/2004	Krietzman
D669,627 S	10/2012	Huang	2004/0042735 A1	3/2004	Ma
D688,289 S	8/2013	Hodgson	2004/0090795 A1	5/2004	Kim
			2005/0083677 A1	4/2005	Krietzman
			2006/0109620 A1	5/2006	Kim
			2017/0067625 A1	3/2017	Edgar et al.

\* cited by examiner

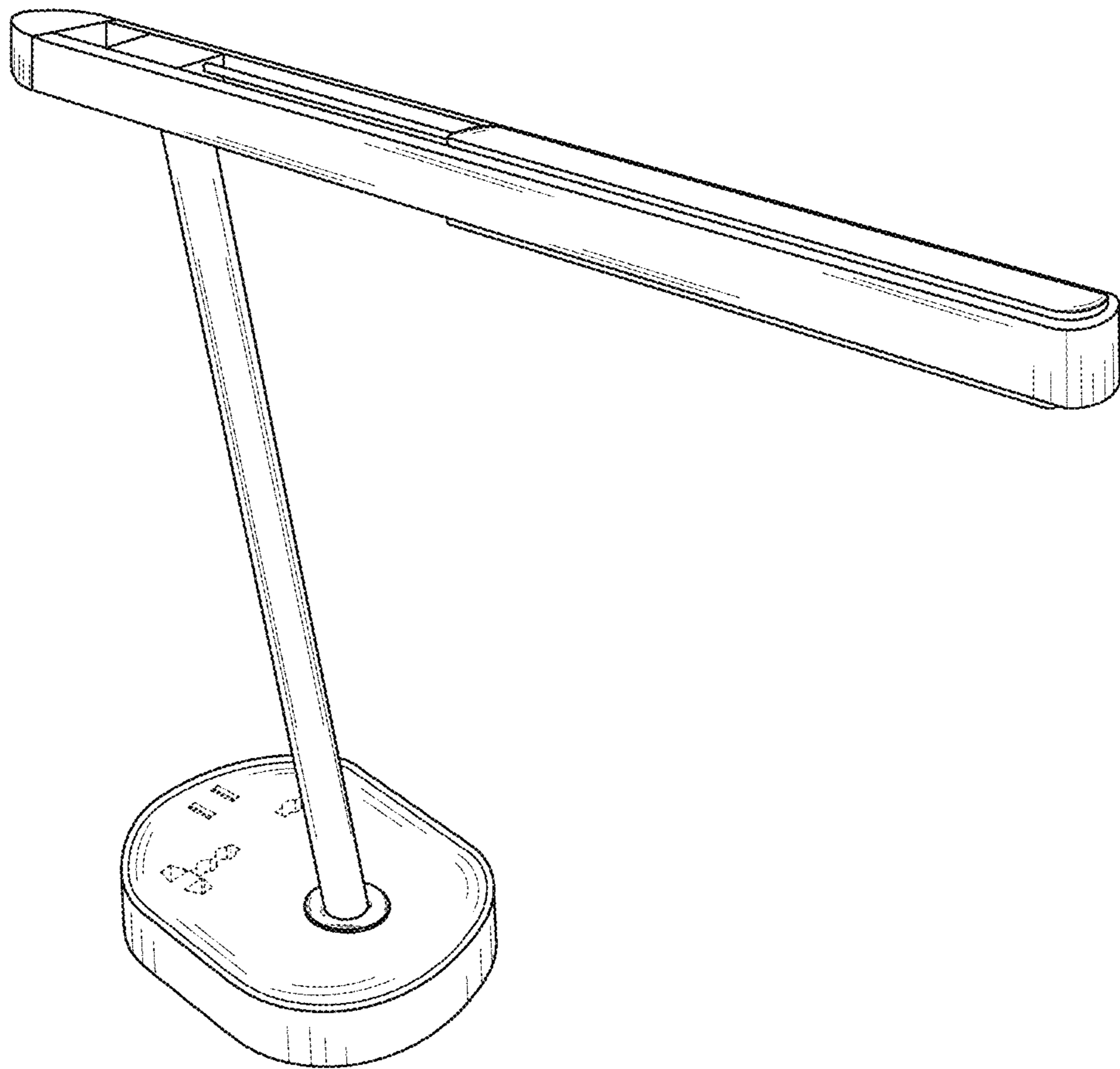


FIG. 1

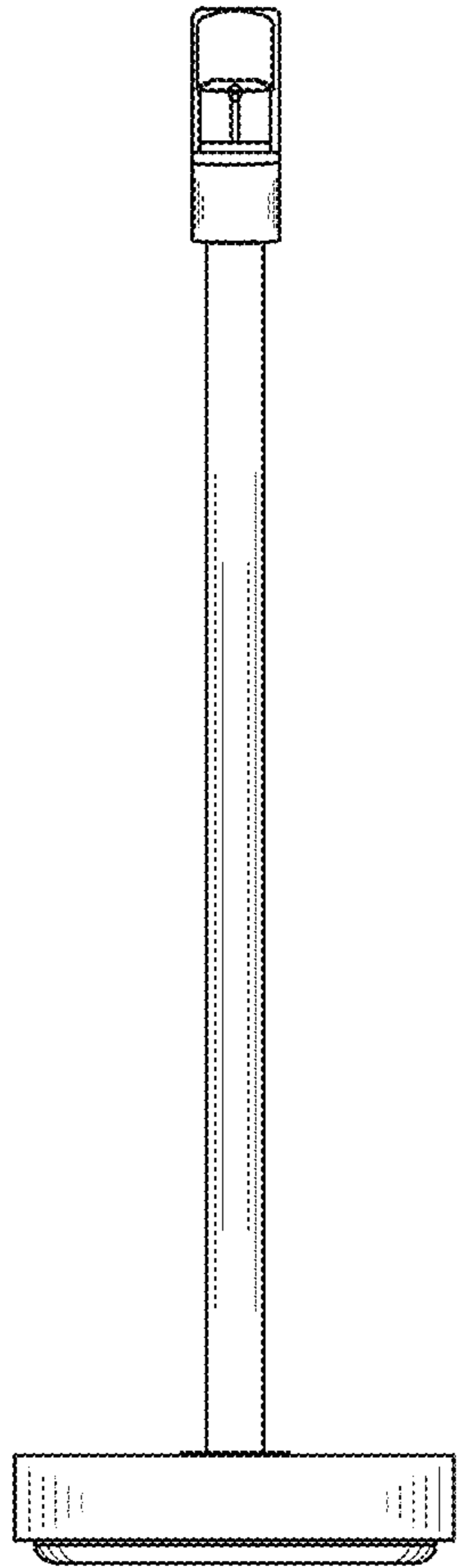


FIG. 2

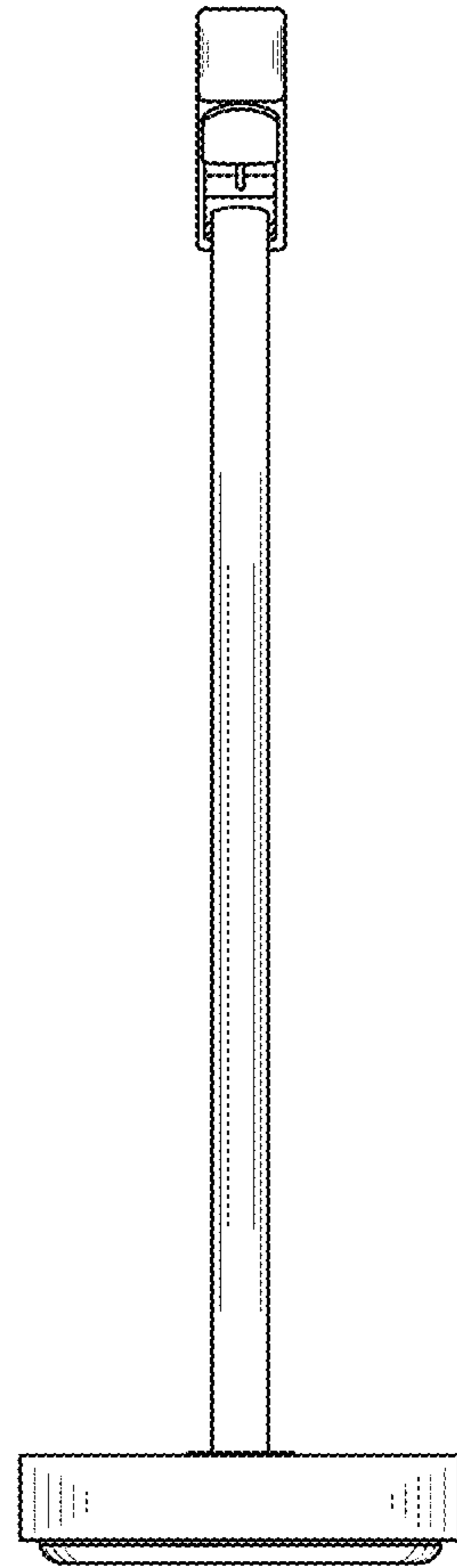


FIG. 3

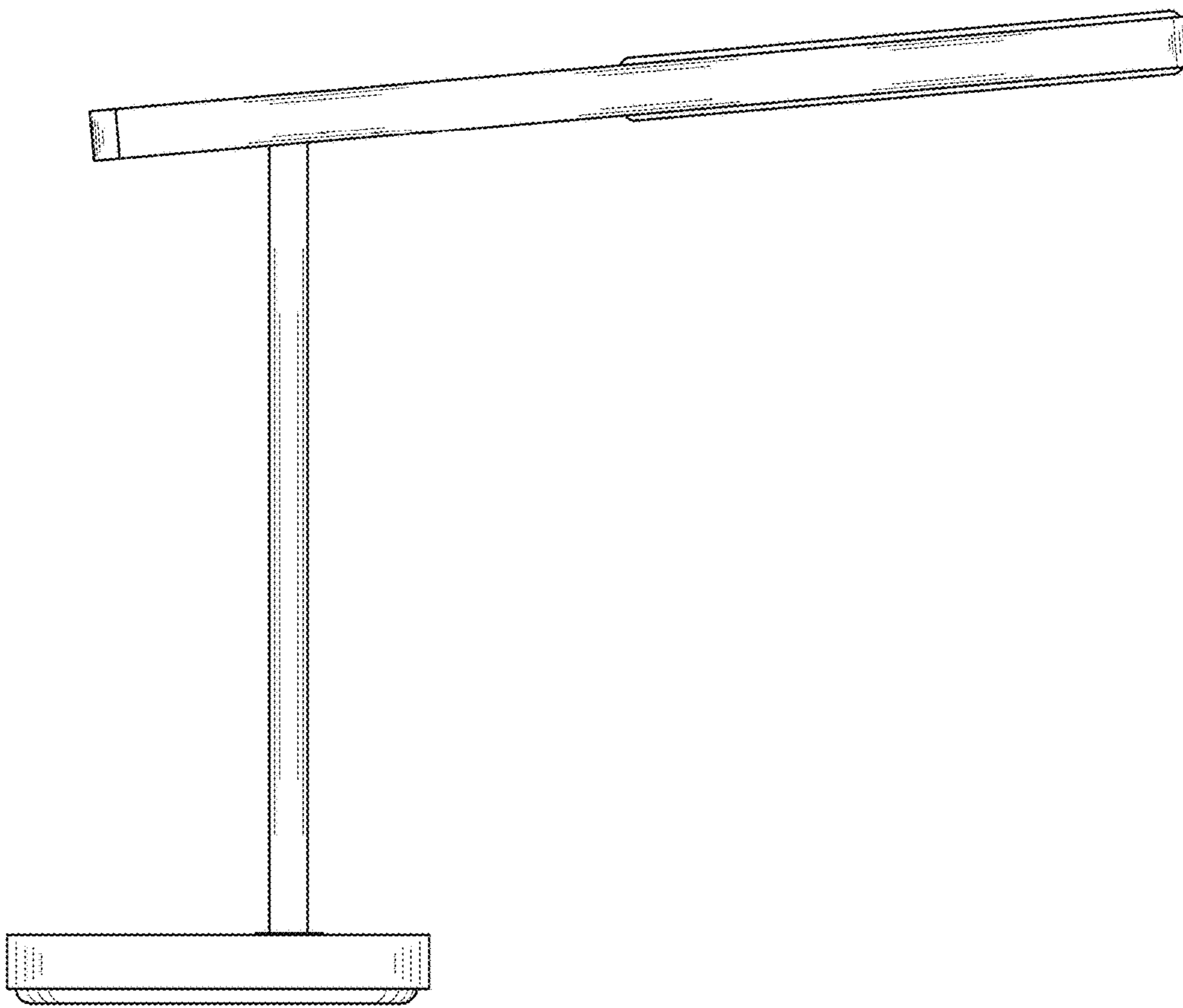


FIG. 4

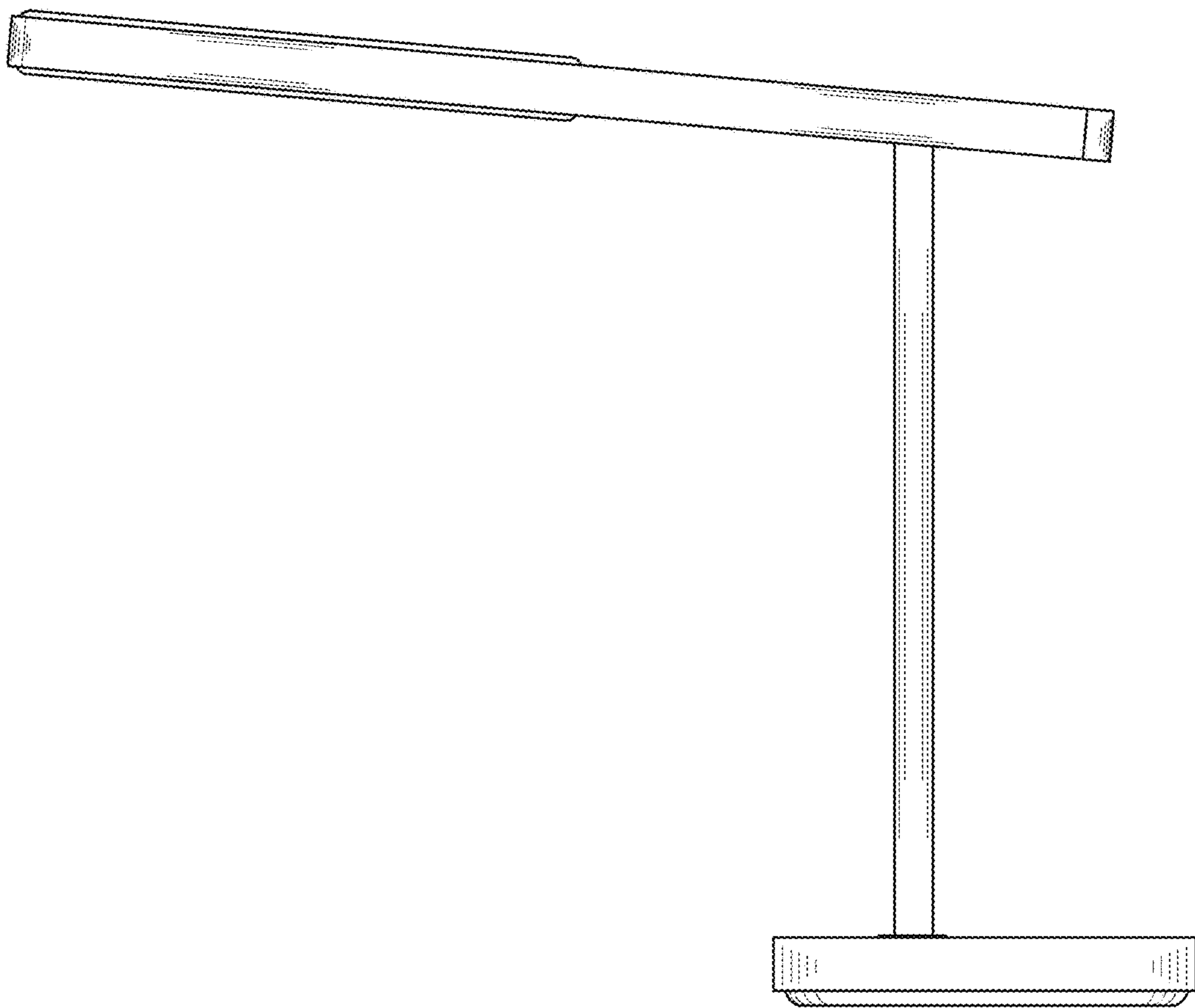


FIG. 5

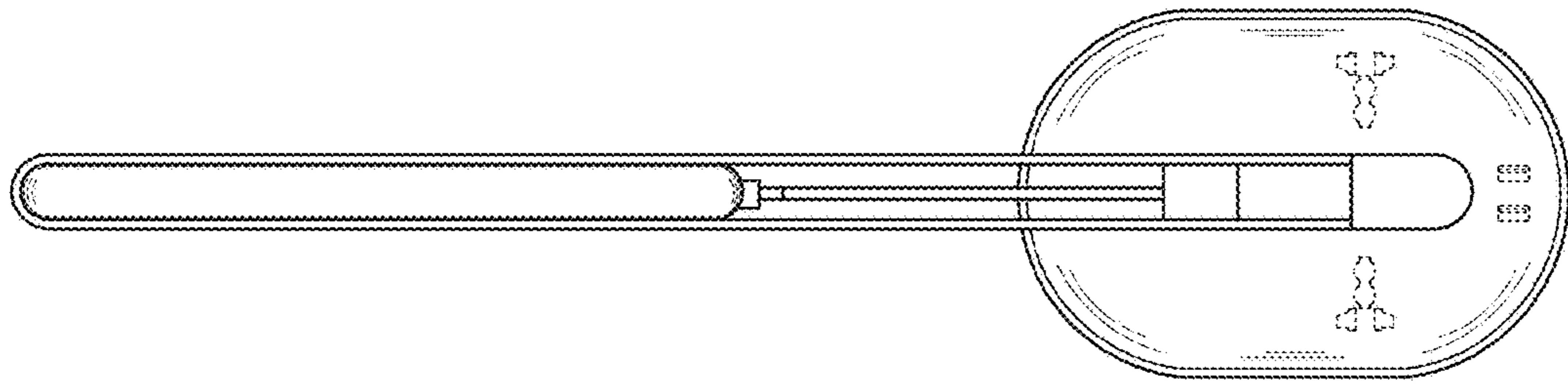


FIG. 6

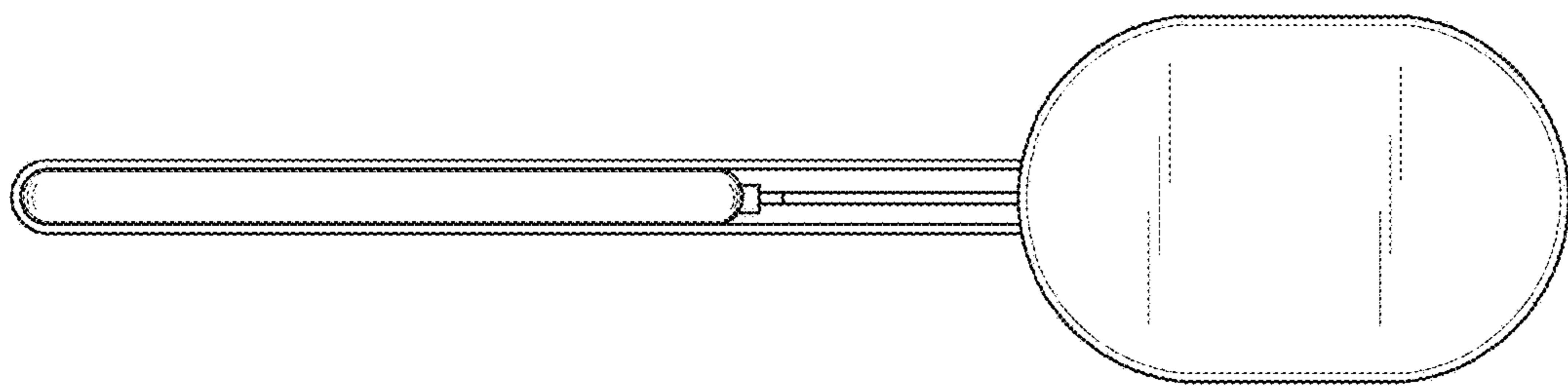


FIG. 7