



US00D835329S

(12) **United States Design Patent**
Edgar et al.

(10) **Patent No.:** **US D835,329 S**
(45) **Date of Patent:** **** Dec. 4, 2018**

- (54) **DESK LIGHT ASSEMBLY**
- (71) Applicant: **Gold Crest, LLC**, Santa Barbara, CA (US)
- (72) Inventors: **Roger Edgar**, Santa Barbara, CA (US); **Pat Richardson**, Santa Barbara, CA (US); **Carolyn Chase**, Santa Barbara, CA (US); **Chris Woodward**, Barnet (GB)
- (73) Assignee: **Gold Crest, LLC**, Santa Barbara, CA (US)

D425,651 S *	5/2000	Gager	D26/108
D427,703 S	7/2000	Chan	
D435,679 S	12/2000	Naghi et al.	
6,172,884 B1	1/2001	Lanni	
D448,104 S	9/2001	Weitzman et al.	
6,361,184 B1	3/2002	Hallgrimsson et al.	
D456,923 S	5/2002	Konig	
6,386,724 B2	5/2002	Naghi	
6,465,987 B1	10/2002	Haas et al.	
D476,106 S	6/2003	Kim	
6,586,849 B2	7/2003	Tarr	
6,680,844 B2	1/2004	Kim	
6,711,006 B2	3/2004	Chen	
6,749,314 B2	6/2004	Naghi et al.	
6,773,192 B1	8/2004	Chao	

(Continued)

(**) Term: **15 Years**

Primary Examiner — Brian N. Vinson
(74) *Attorney, Agent, or Firm* — Tsircou Law, PC

(21) Appl. No.: **29/589,291**

(22) Filed: **Dec. 29, 2016**

(51) **LOC (11) Cl.** **26-03**

(52) **U.S. Cl.**
USPC **D26/107**

(58) **Field of Classification Search**
USPC D26/24, 93, 106, 107, 108, 110, 112, 61, D26/62, 65, 51
CPC F21S 6/00; F21S 6/002; F21S 8/043; F21S 8/08; F21V 21/02; F21V 21/116; F21V 21/20; F21W 2131/30; F21Y 2105/00
See application file for complete search history.

- (56) **References Cited**
- U.S. PATENT DOCUMENTS
- 4,238,816 A * 12/1980 Merlo F21S 6/003 362/279
 - 4,432,042 A 2/1984 Zeller
 - D283,056 S 3/1986 Ansems
 - D301,753 S 6/1989 Iacovelli
 - D328,358 S 7/1992 Tsang
 - D397,468 S 8/1998 Zeller
 - 5,822,546 A 10/1998 George
 - D418,240 S 12/1999 Sherman

(57) **CLAIM**

We claim the ornamental design for a desk light assembly, as shown and described.

DESCRIPTION

FIG. 1 a perspective view of a desk light assembly of the new design.

FIG. 2 is a back elevational view of the desk light assembly of FIG. 1.

FIG. 3 is a front elevational view of the desk light assembly of FIG. 1.

FIG. 4 is a first side view of the desk light assembly of FIG. 1.

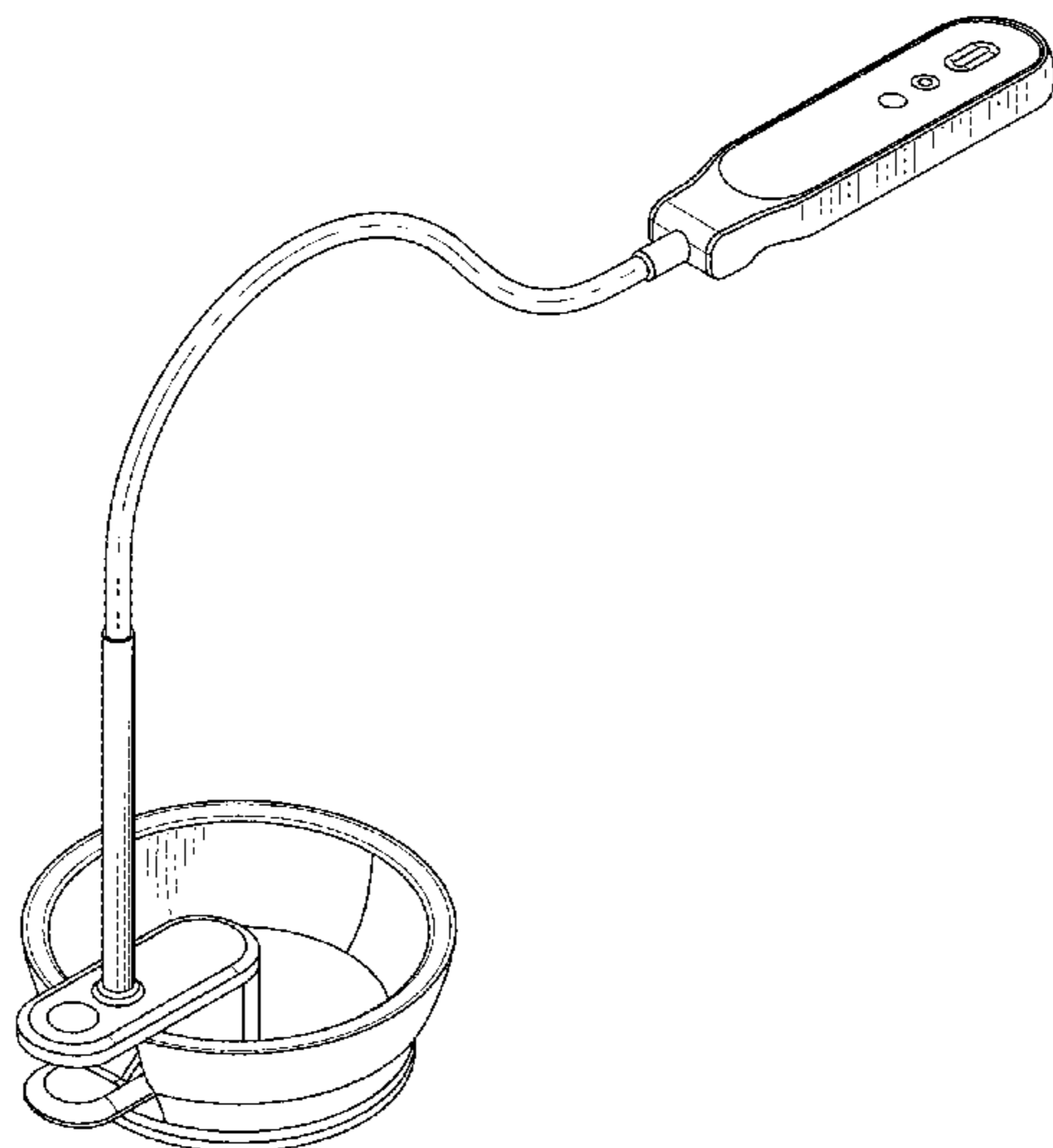
FIG. 5 is a second side view of the desk light assembly of FIG. 1;

FIG. 6 is a top view of the desk light assembly of FIG. 1; and,

FIG. 7 is a bottom view of the desk light assembly of FIG. 1.

The broken line disclosure represents portions of the desk light assembly that form no part of the claimed design.

1 Claim, 4 Drawing Sheets



(56)

References Cited

U.S. PATENT DOCUMENTS

6,808,289	B2	10/2004	Reed	
D498,322	S	11/2004	Schnell	
6,851,819	B2	2/2005	Naghi et al.	
D506,279	S	6/2005	Sirichai et al.	
6,921,284	B2	7/2005	Sirichai et al.	
7,004,596	B2	2/2006	Merrem	
D522,677	S	6/2006	Ming	
D529,651	S	10/2006	Chan	
D562,485	S	2/2008	Brown	
7,541,692	B2	6/2009	Hirst et al.	
D608,925	S *	1/2010	Hodgson	D26/62
7,649,279	B2	1/2010	Lanni	
7,727,031	B2	6/2010	Lord	
D768,077	S *	10/2016	Wahl	D26/62
D790,751	S *	6/2017	Kaiser	D26/107
D802,201	S *	11/2017	Xu	D26/107
2001/0043468	A1	11/2001	Krietzman et al.	
2001/0048409	A1	12/2001	Kim	
2002/0186563	A1	12/2002	Krietzman et al.	
2003/0223228	A1	12/2003	Krietzman	
2004/0017677	A1	1/2004	Krietzman	
2004/0042735	A1	3/2004	Ma	
2004/0090795	A1	5/2004	Kim	
2005/0083677	A1	4/2005	Krietzman	
2006/0109620	A1	5/2006	Kim	

* cited by examiner

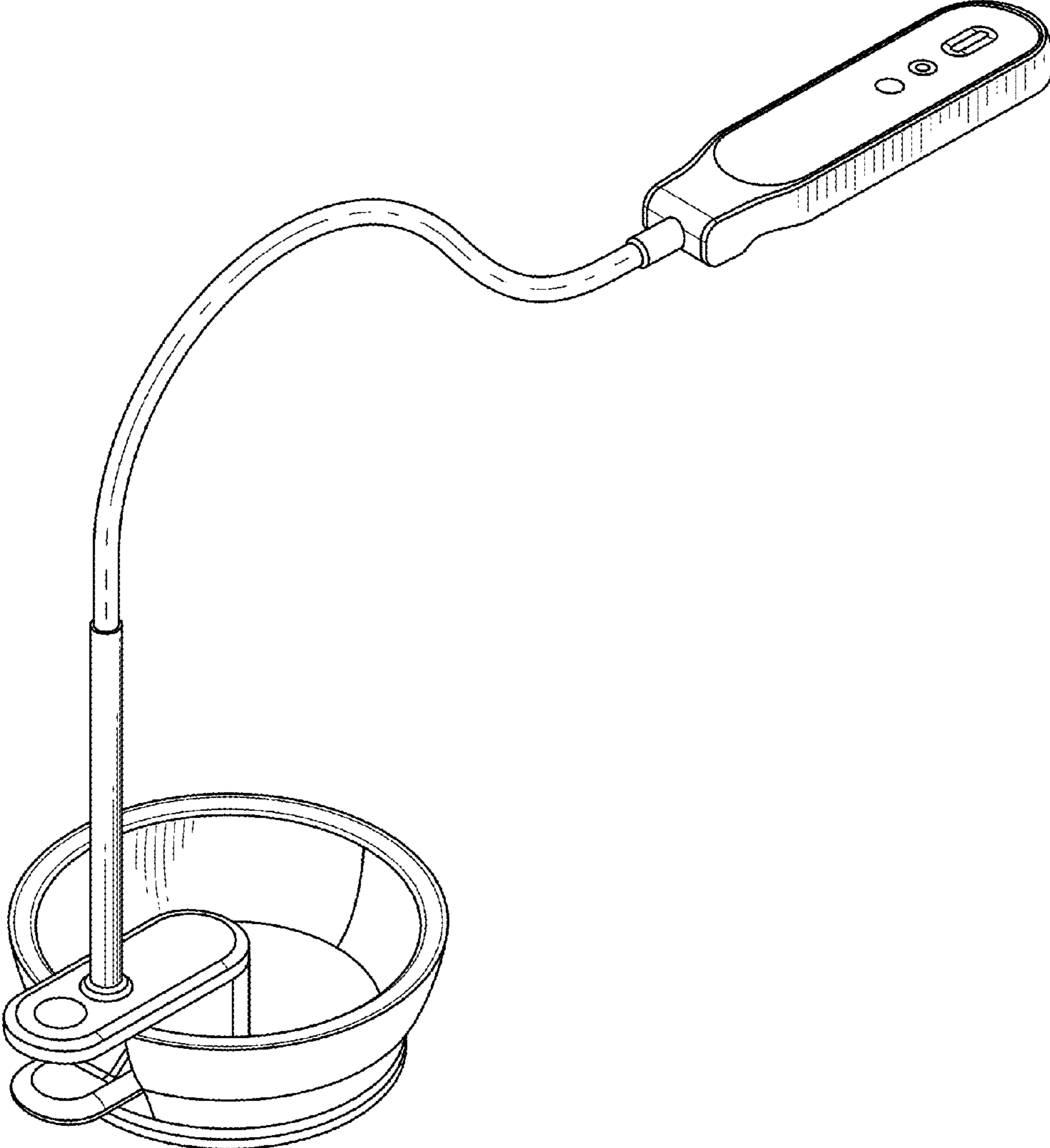


FIG. 1

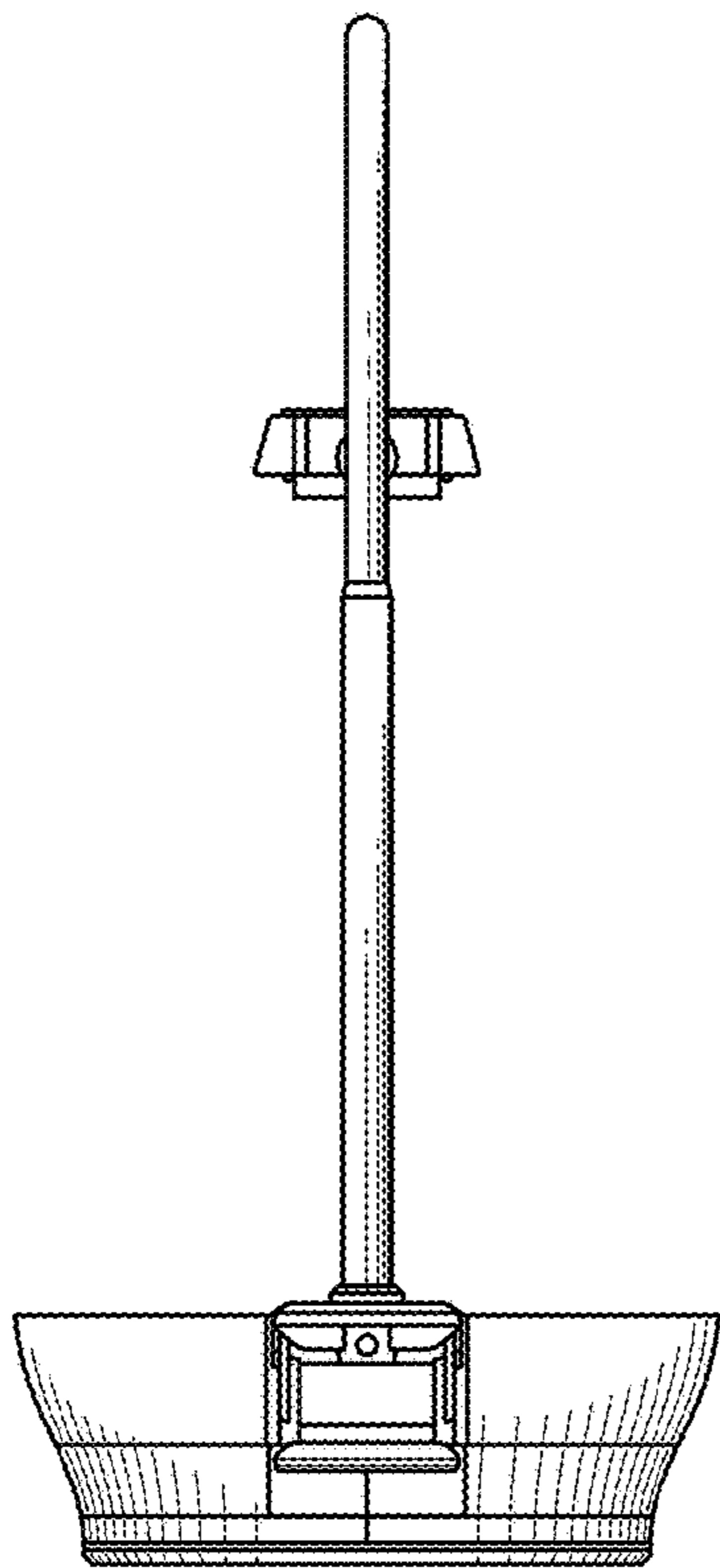


FIG. 2

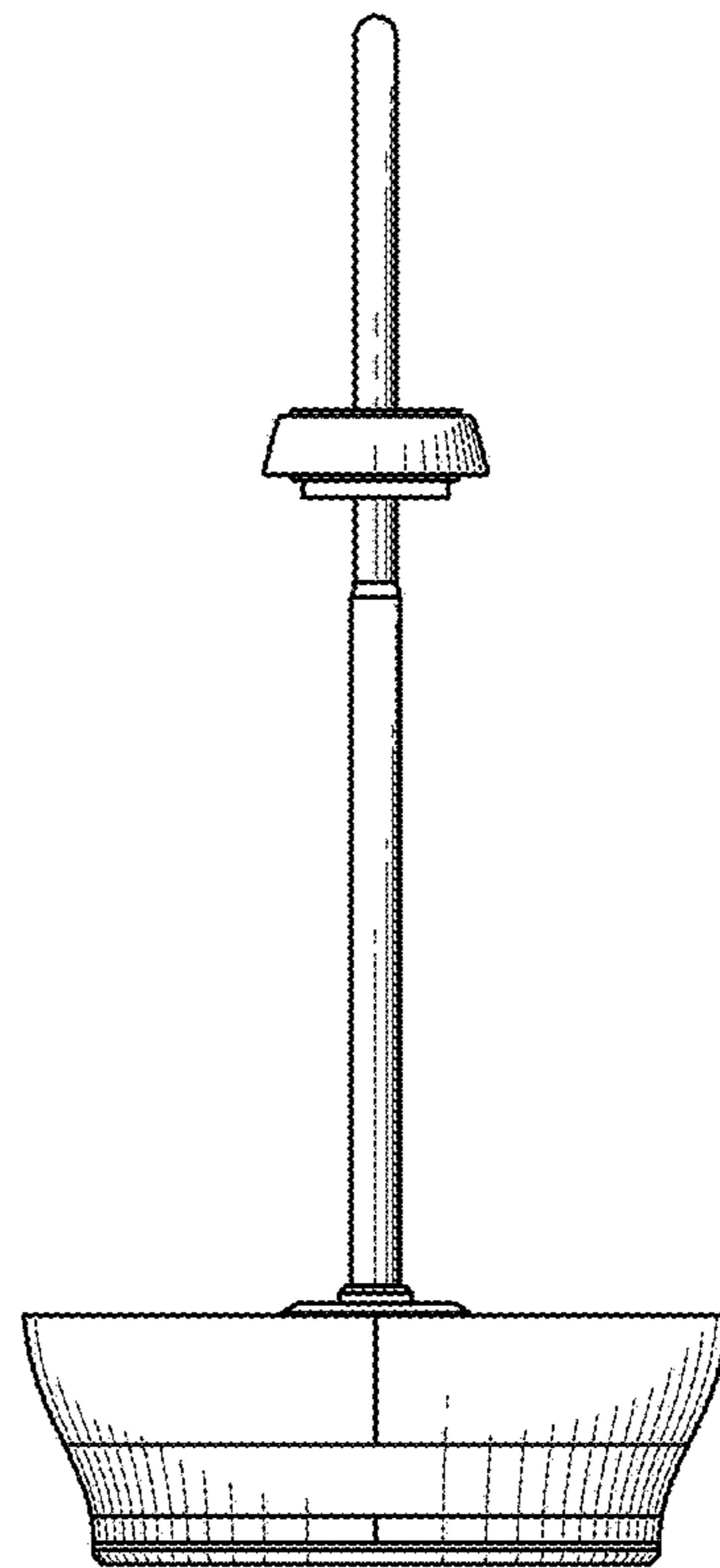


FIG. 3

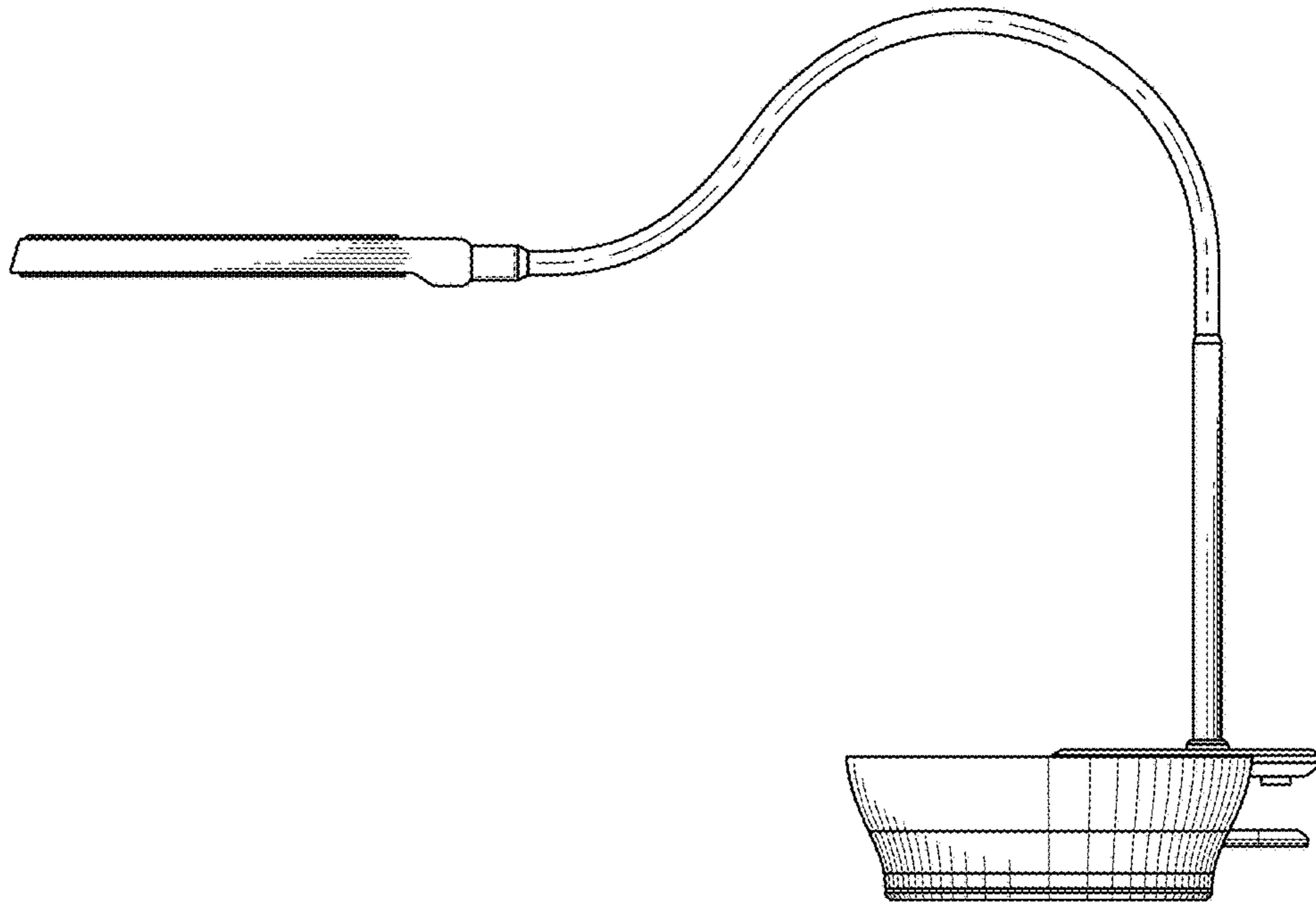


FIG. 4

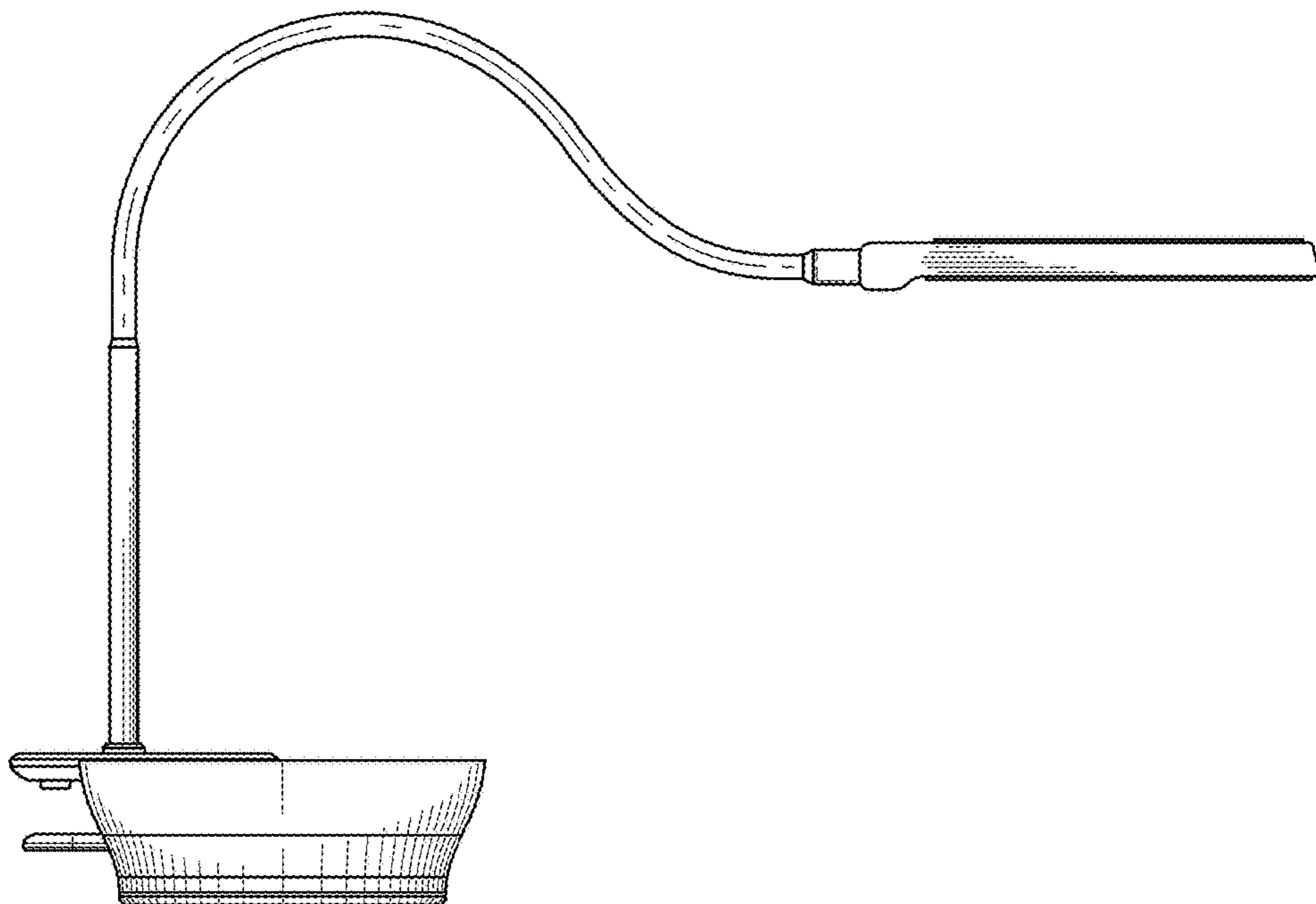


FIG. 5

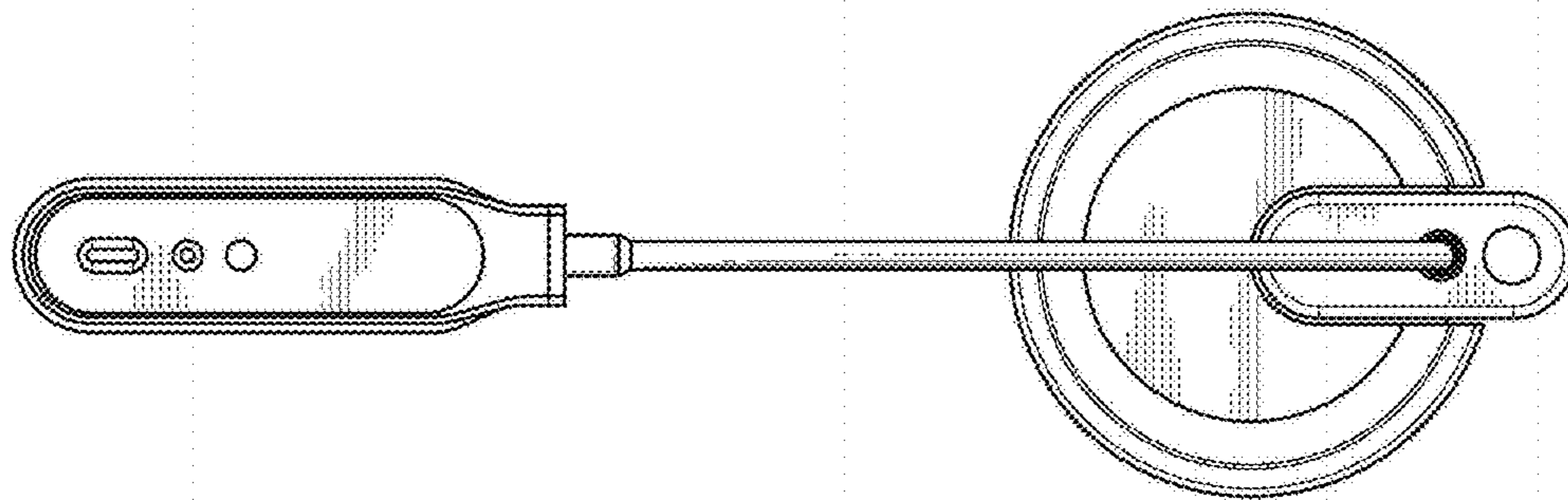


FIG. 6

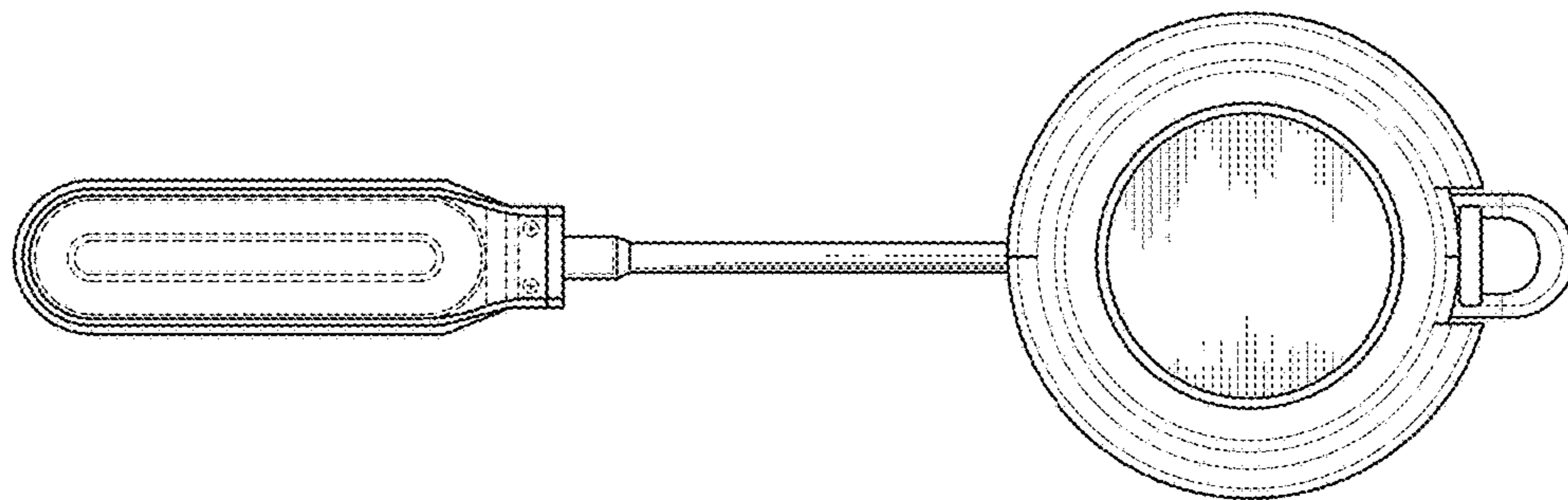


FIG. 7