



US00D835325S

(12) **United States Design Patent**
Gambrel et al.

(10) **Patent No.:** **US D835,325 S**

(45) **Date of Patent:** **** Dec. 4, 2018**

(54) **LIGHTING FIXTURE**

(71) Applicant: **The Urban Electric Company**, North Charleston, SC (US)

(72) Inventors: **Steven Gambrel**, New York, NY (US); **Michael Amato**, Johns Island, SC (US); **David Dawson**, Charleston, SC (US); **Jonathan Charpia**, Summerville, SC (US); **Christopher Roof**, Charleston, SC (US); **Joeangel Casanova**, North Charleston, SC (US); **Courtney Salsbury**, Mount Pleasant, SC (US); **Brianna Magagnoli**, North Charleston, SC (US)

(73) Assignee: **The Urban Electric Company**, North Charleston, SC (US)

(**) Term: **15 Years**

(21) Appl. No.: **29/605,062**

(22) Filed: **May 23, 2017**

(51) **LOC (11) Cl.** **26-05**

(52) **U.S. Cl.**
USPC **D26/87; D26/155**

(58) **Field of Classification Search**
USPC D26/71, 72, 74, 78-93, 106, 118-122, D26/138, 145, 155
CPC F21S 8/02; F21S 8/03; F21S 8/04; F21S 8/06; F21S 8/033; F21S 8/036; F21S 8/043; F21S 9/00; F21S 10/00; F21V 21/02

See application file for complete search history.

(56) **References Cited**

U.S. PATENT DOCUMENTS

1,246,533 A * 11/1917 Bosworth A47B 21/0314
248/200
D193,632 S * 9/1962 Patience, Jr. D26/66
D222,810 S * 1/1972 Husby D26/68

4,453,204 A * 6/1984 Warshawsky F21S 6/002
248/296.1
D291,011 S * 7/1987 Fleming D26/138
D293,030 S * 12/1987 Vladescu D26/107
D328,360 S * 7/1992 Fuller D26/66
5,567,043 A * 10/1996 Swanson F21S 2/00
362/249.01
D386,810 S * 11/1997 Porter D26/145
D605,331 S * 12/2009 Miranda D26/87
D678,580 S * 3/2013 Rizzi D26/71

(Continued)

OTHER PUBLICATIONS

Antique Brass Swing Arm Wall Lamp (available online) Retrieved from the internet Sep. 27, 2018 from URL: https://www.lampsplus.com/products/house-of-troy-crown-point-antique-brass-swing-arm-wall-lamp_6r187.html.*

(Continued)

Primary Examiner — Kevin K Rudzinski

Assistant Examiner — Richard Kearney

(74) *Attorney, Agent, or Firm* — Jeffrey T. Stover;
Haynsworth Sinkler Boyd, P.A.

(57) **CLAIM**

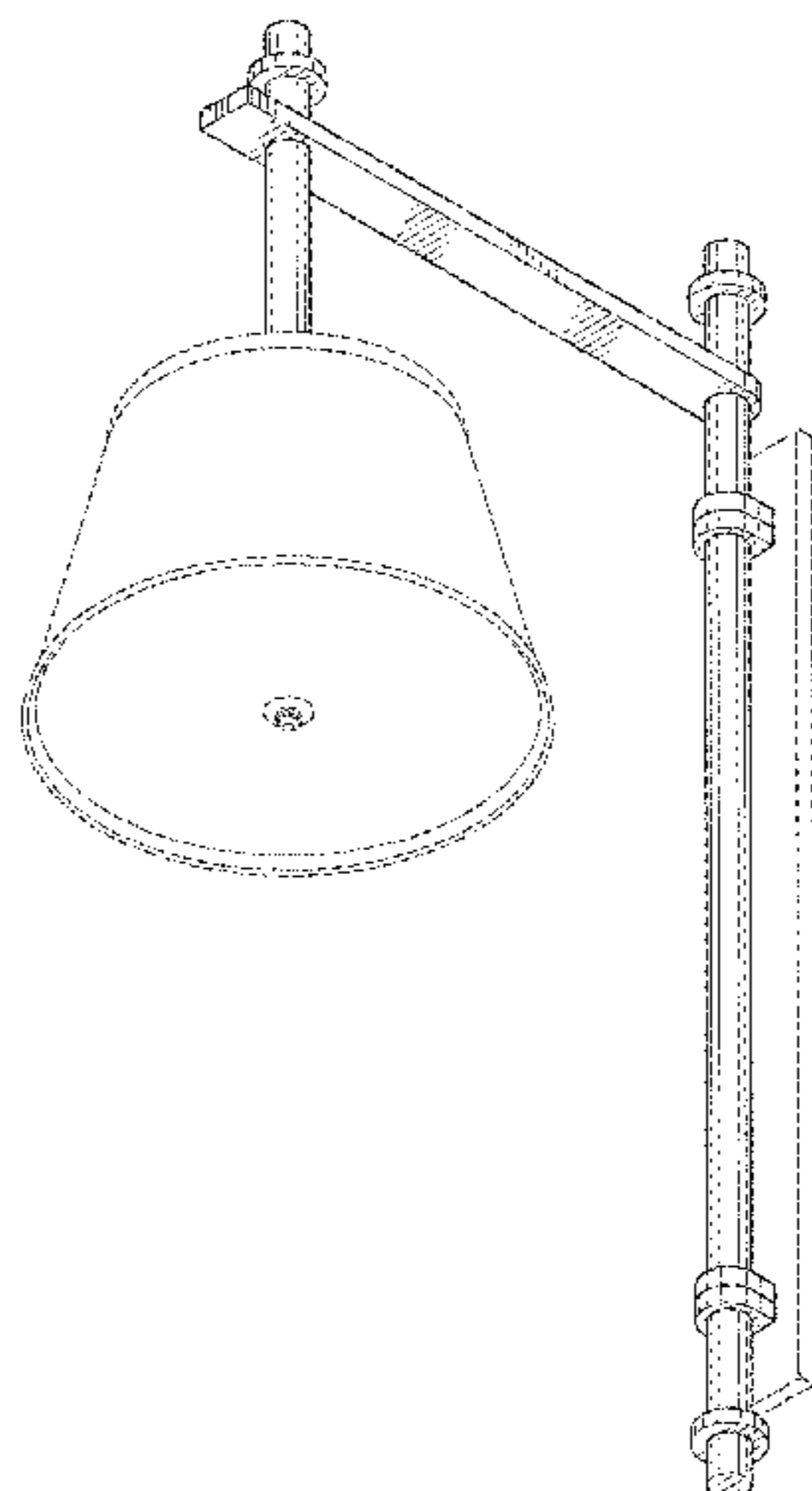
The ornamental design for a lighting fixture, as shown and described.

DESCRIPTION

FIG. 1 is a bottom perceptive view of a lighting fixture showing our new design;
FIG. 2 is a top perspective view thereof;
FIG. 3 is a left elevation view thereof.
FIG. 4 is a right elevational view thereof;
FIG. 5 is a front elevation view thereof;
FIG. 6 is a back elevation view thereof;
FIG. 7 is a top plan view thereof; and,
FIG. 8 is a bottom plan view thereof.

The broken line disclosure in the views represents environmental structure which forms no part of the claimed design.

1 Claim, 8 Drawing Sheets



(56)

References Cited

U.S. PATENT DOCUMENTS

D716,488 S * 10/2014 Kitts D26/88
D824,571 S * 7/2018 Sonneman D26/87

OTHER PUBLICATIONS

Regency Bronze 1 Light Wallchiere Wall Sconce (available online)
Retrieved from the internet Sep. 27, 2018 from URL: <https://www.lightingdirect.com/hinkley-lighting-4549-1-light-wallchiere-wall-sconce-from-the-sloan-collection/p2635399>.*

Swing Arm Wall Lamp Circa Train Station (available online)
Retrieved from the internet Sep. 27, 2018 from URL: <https://www.saltyvolt.com/how-to-select-swing-arm-wall-lamp/swing-arm-wall-lamp-circa-train-station/>.*

Downing—SG-1628 (available online) Retrieved from the internet
Sep. 27, 2018 from URL: <https://www.urbanelectricco.com/downing.html>.*

* cited by examiner

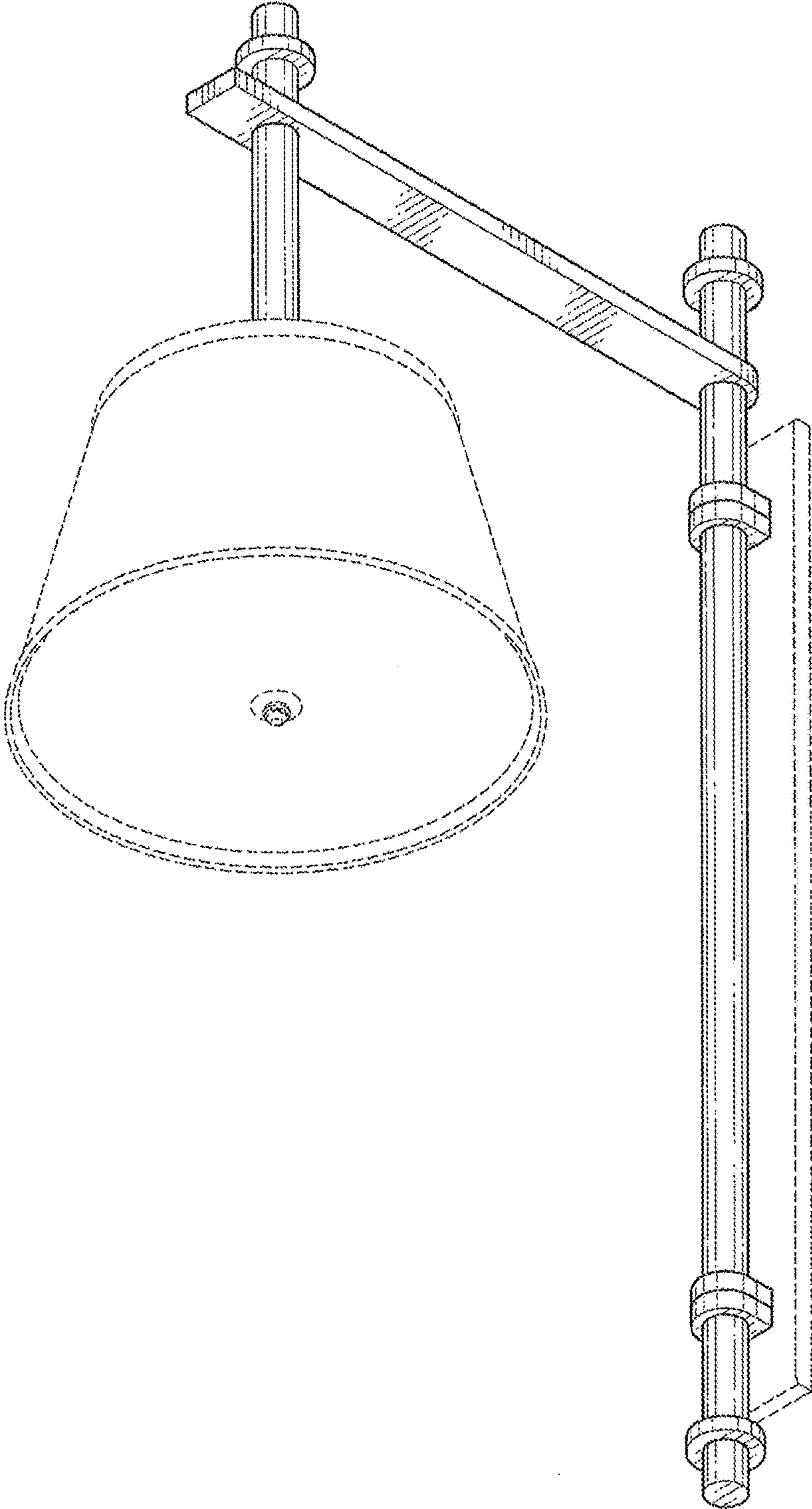


FIG. 1

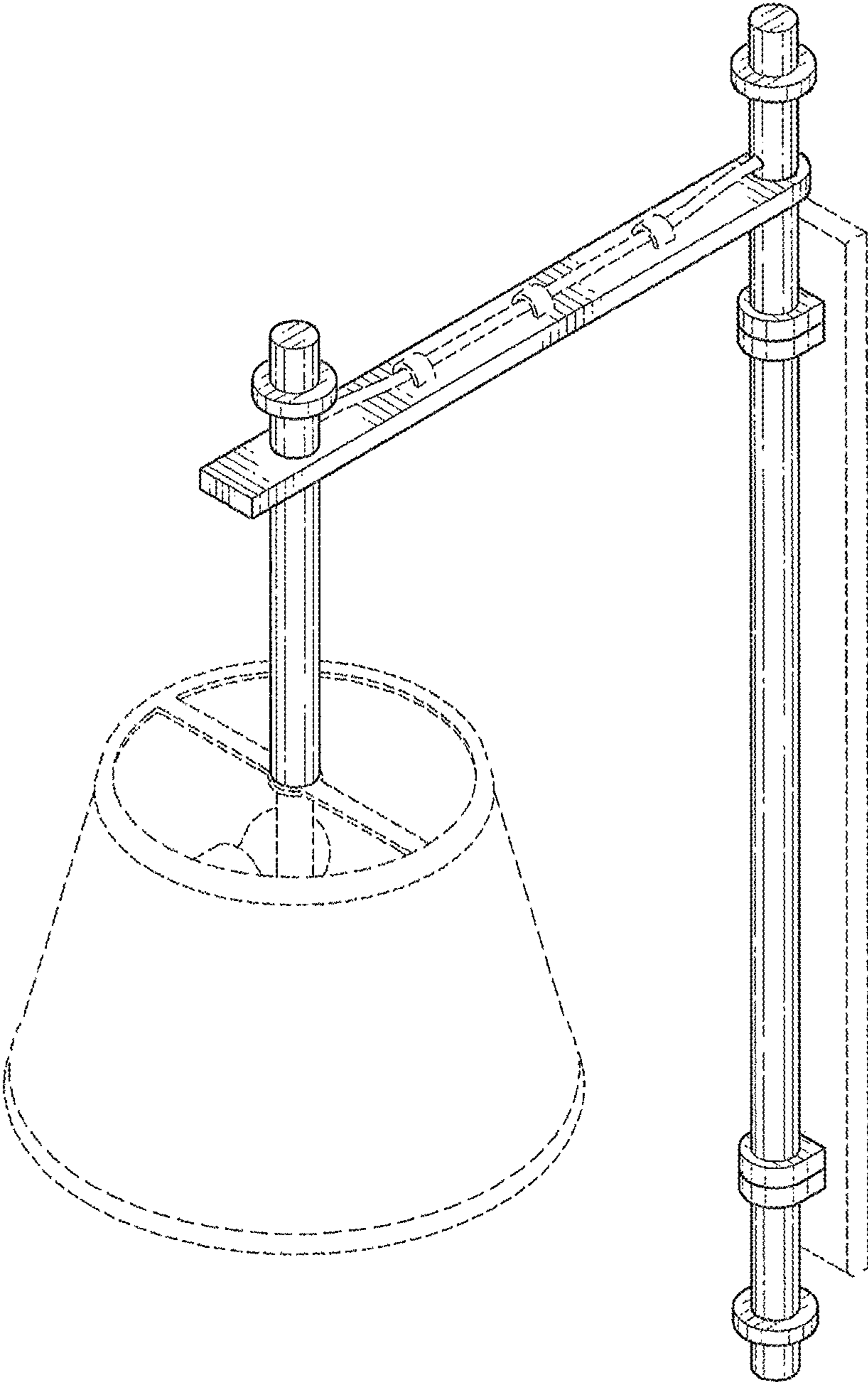


FIG. 2

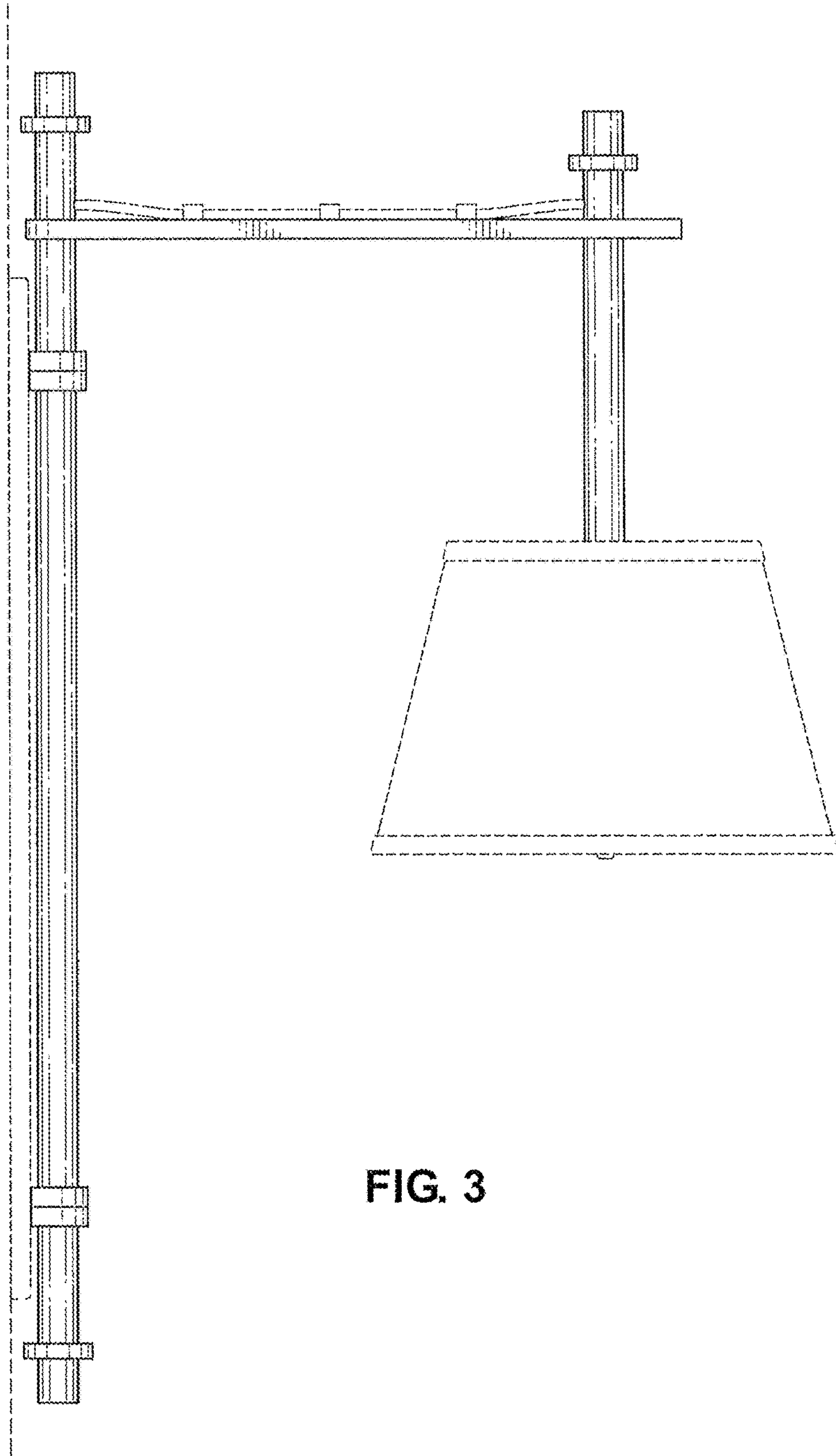


FIG. 3

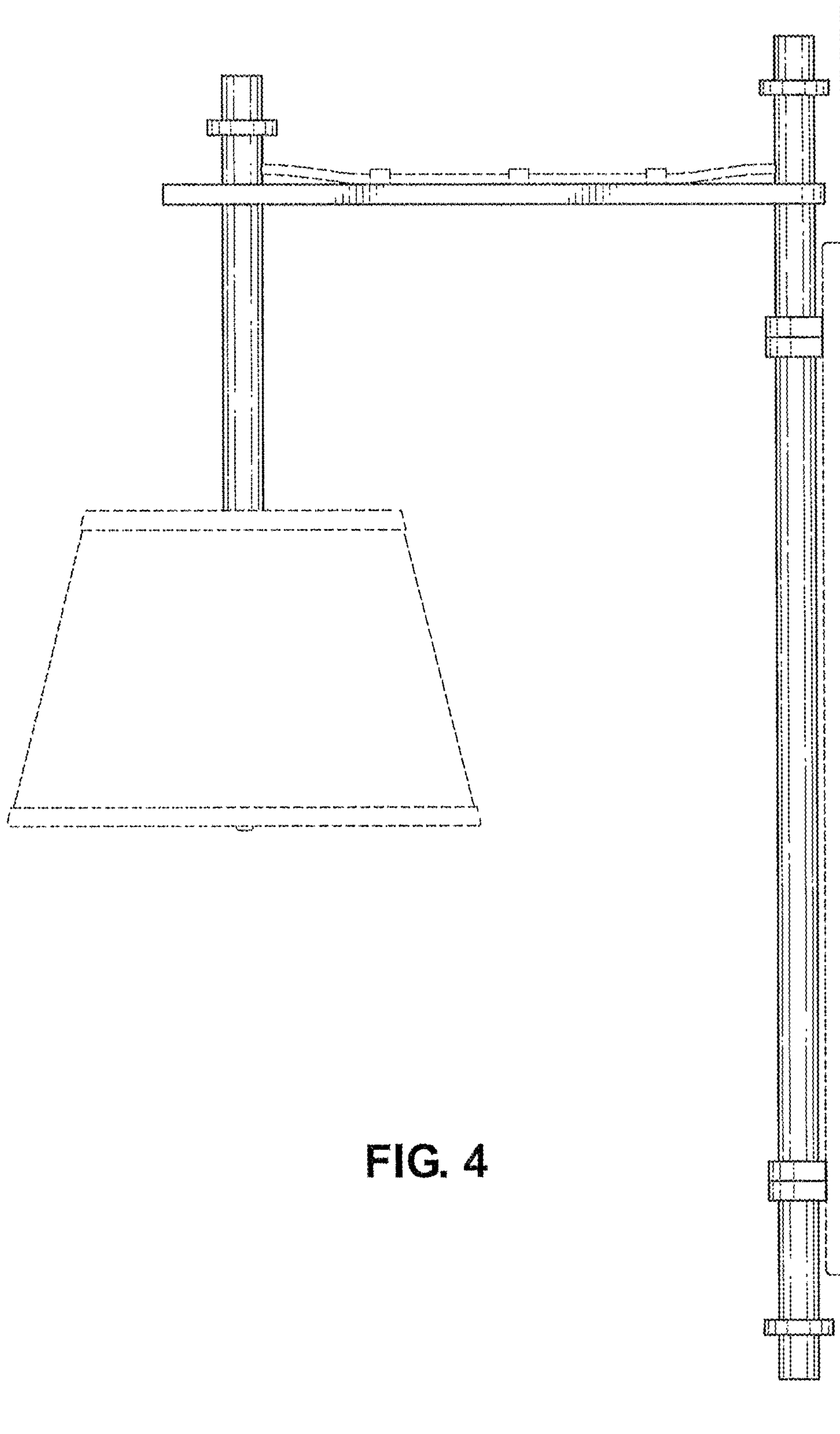


FIG. 4

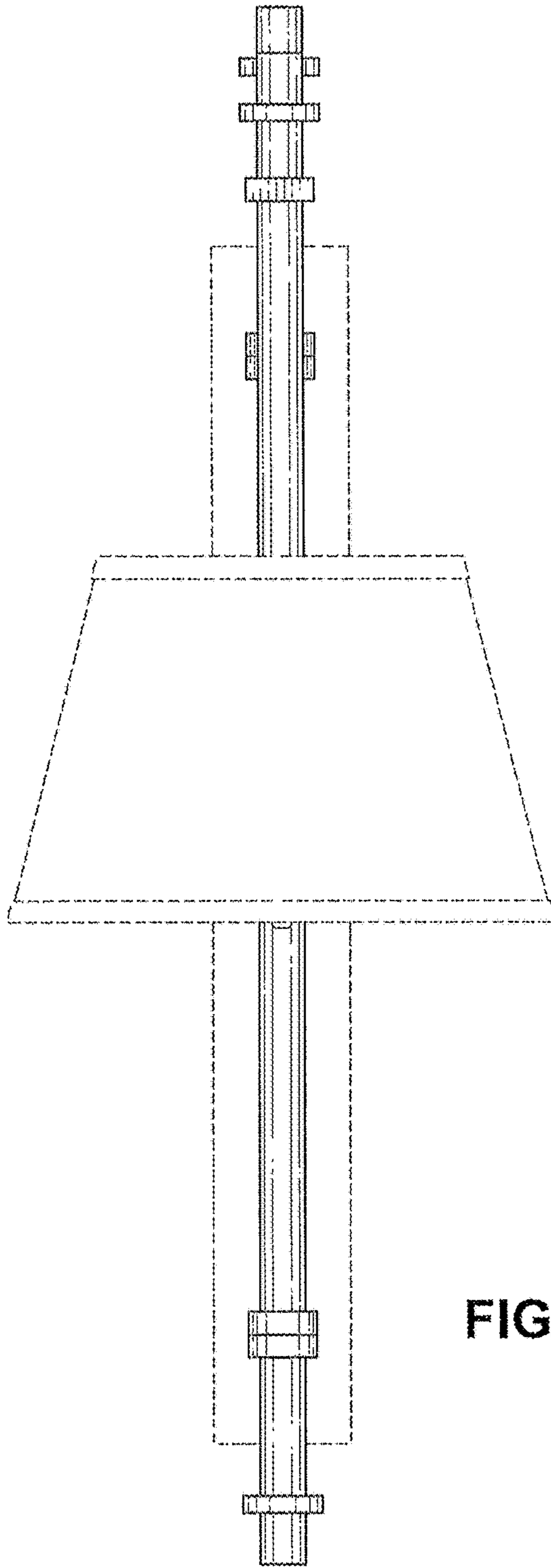


FIG. 5

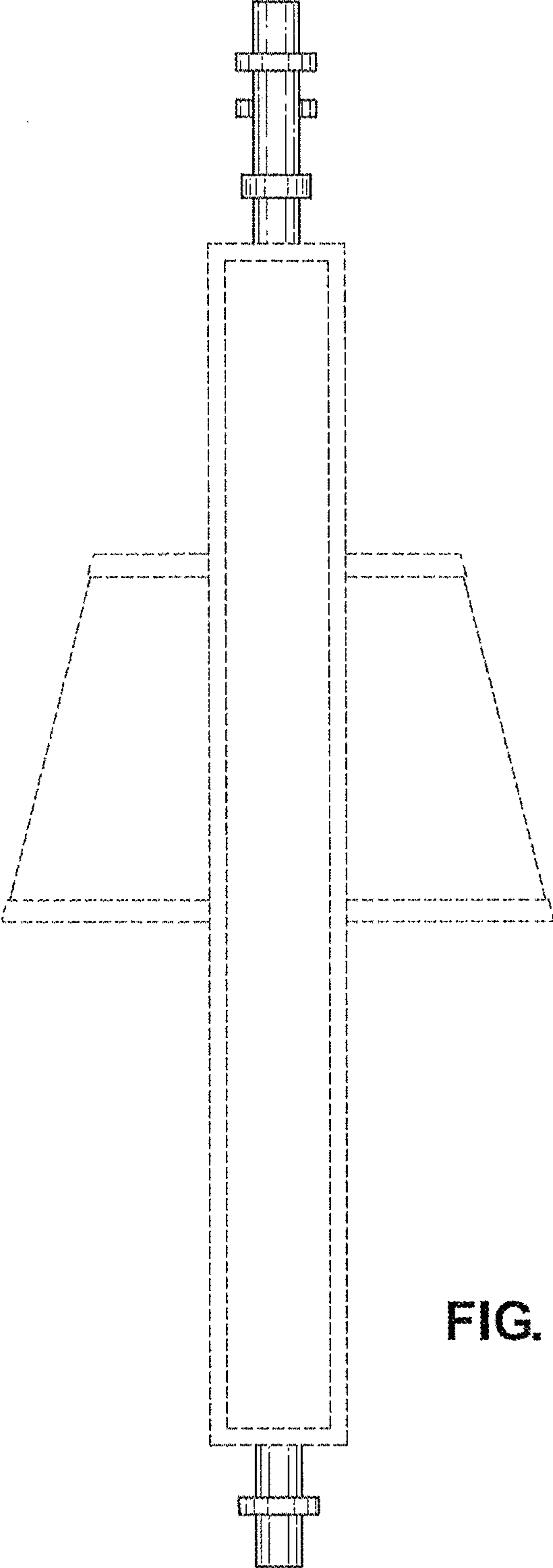


FIG. 6

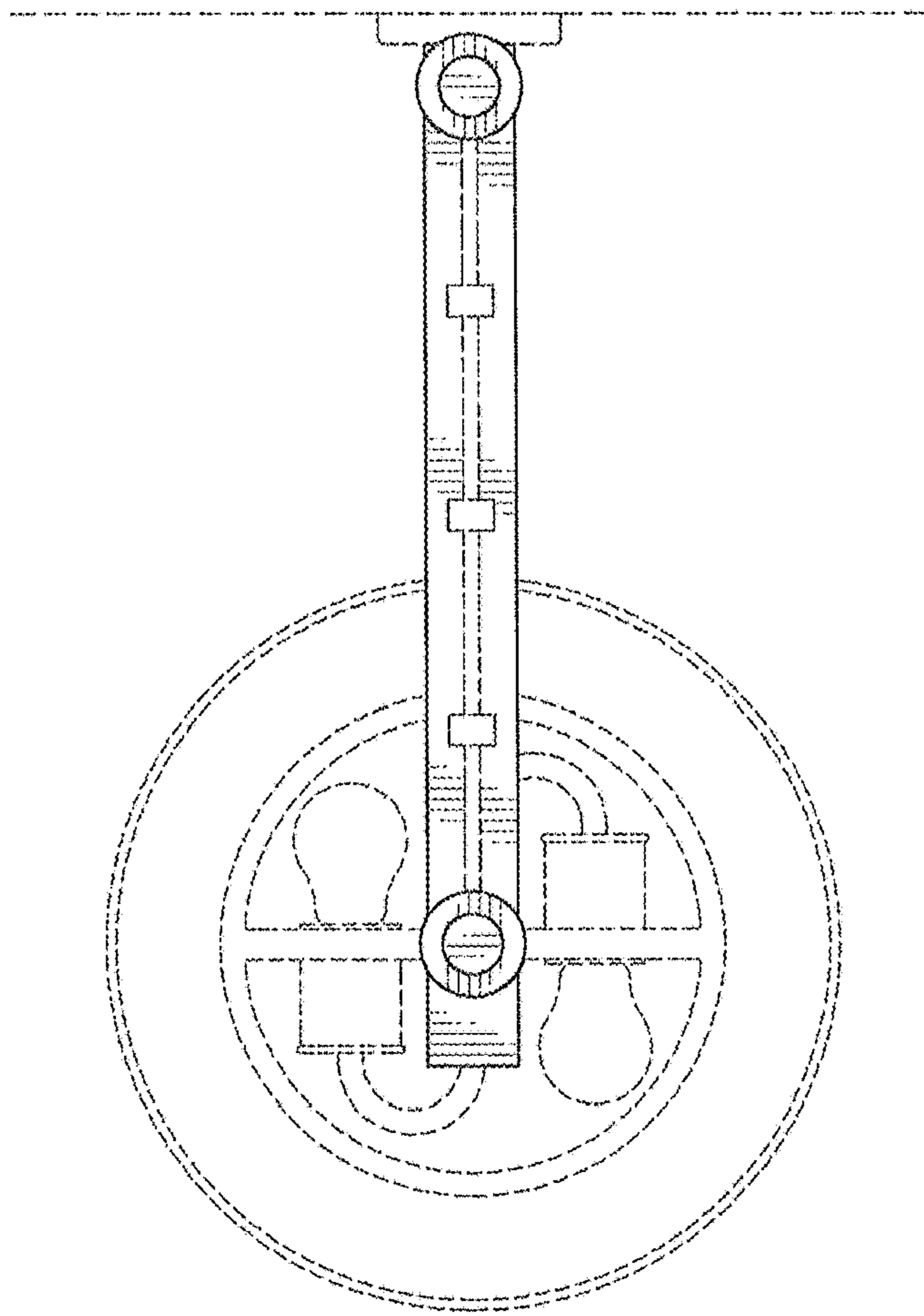


FIG. 7

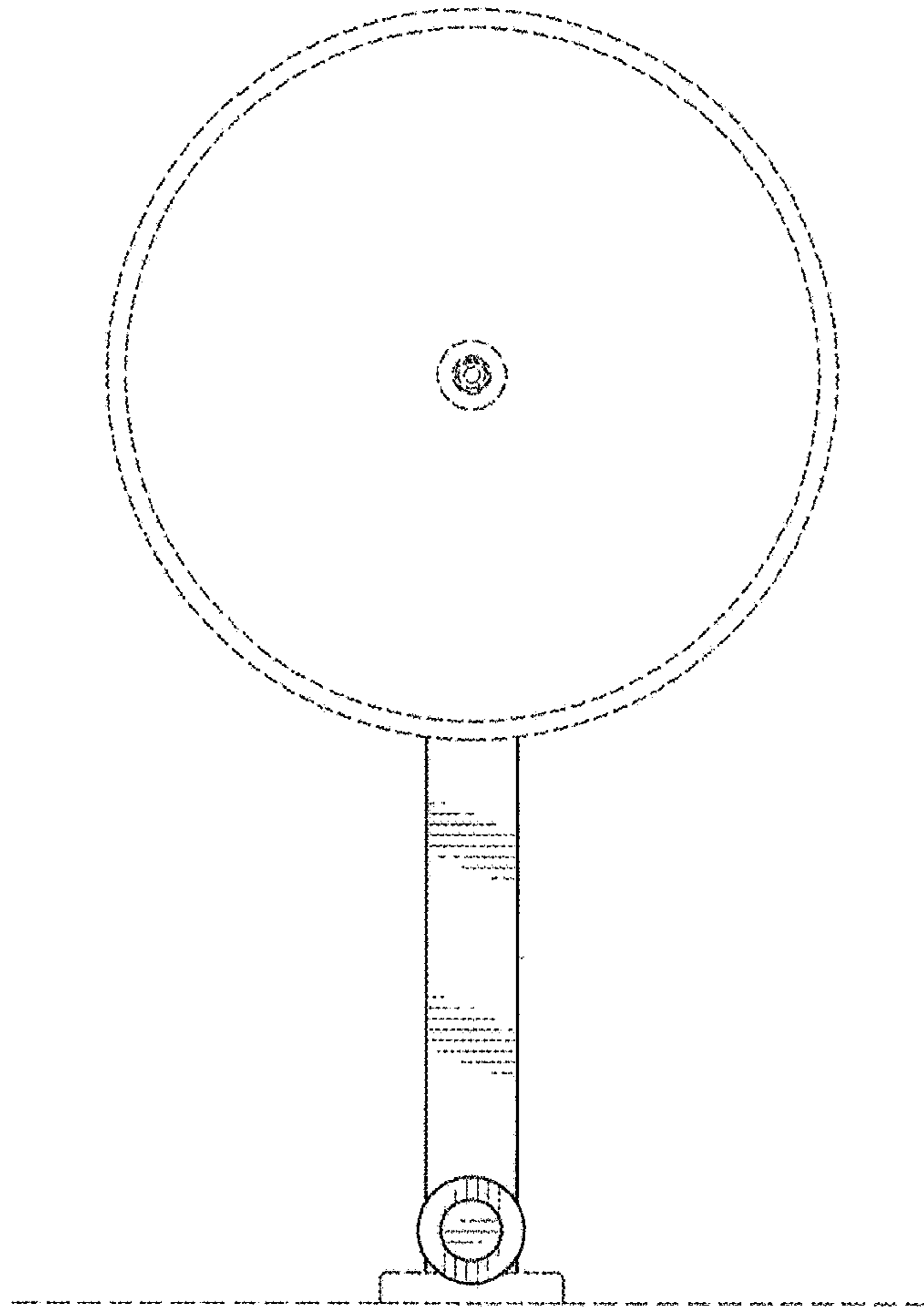


FIG. 8