



US00D835323S

(12) **United States Design Patent** (10) **Patent No.:** **US D835,323 S**
Fogg et al. (45) **Date of Patent:** **** Dec. 4, 2018**

(54) **LIGHT**
(71) Applicant: **Tractor Supply Company**, Brentwood, TN (US)
(72) Inventors: **Christian D. Fogg**, Columbia, TN (US); **Brian Kenemer**, Chapel Hill, TN (US); **Zhan Shengbing**, Hang Zhou (CN)

D379,561 S 6/1997 Watson
6,254,251 B1 7/2001 Washington
D486,258 S 2/2004 Cannon et al.
D569,029 S * 5/2008 Guercio D26/85
D773,100 S * 11/2016 Guercio D26/85
D800,943 S * 10/2017 Shundong D26/85
D805,236 S * 12/2017 Exley D26/85
D811,644 S * 2/2018 Hou D26/85
D826,455 S * 8/2018 Moon D26/85
2008/0170388 A1 7/2008 Greil
(Continued)

(73) Assignee: **Tractor Supply Company**, Nashville, TN (US)

(**) Term: **15 Years**

(21) Appl. No.: **29/611,989**

(22) Filed: **Jul. 27, 2017**

(51) **LOC (11) Cl.** **26-03**

(52) **U.S. Cl.**
USPC **D26/85**

(58) **Field of Classification Search**
USPC D26/72, 85, 92, 120, 139; D23/359, 361, D23/385
CPC F21S 8/03; F21S 8/033; F21S 8/036; F21S 8/037; F21S 9/022; F21S 9/024; F21S 9/03; F21S 9/035; F21S 9/037; F21W 2131/107; G08B 13/193
See application file for complete search history.

(56) **References Cited**

U.S. PATENT DOCUMENTS

D180,727 S * 8/1957 Bourner D23/385
3,307,027 A 2/1967 Lins et al.
D288,857 S * 3/1987 Spaine D26/72
4,754,376 A 6/1988 Winslow et al.
4,939,359 A * 7/1990 Freeman G01V 8/10
250/221
D339,079 S * 9/1993 Behlke D10/106.6
5,299,722 A 4/1994 Cheney et al.
5,444,605 A 8/1995 Rivera

OTHER PUBLICATIONS

Screen shot of Amazon.com offering of Dee Zee Dzdrypack hydrosorbent dehumidifier.

Primary Examiner — Clare E Heflin

(74) *Attorney, Agent, or Firm* — Lucian Wayne Beavers; Patterson Intellectual Property Law, PC

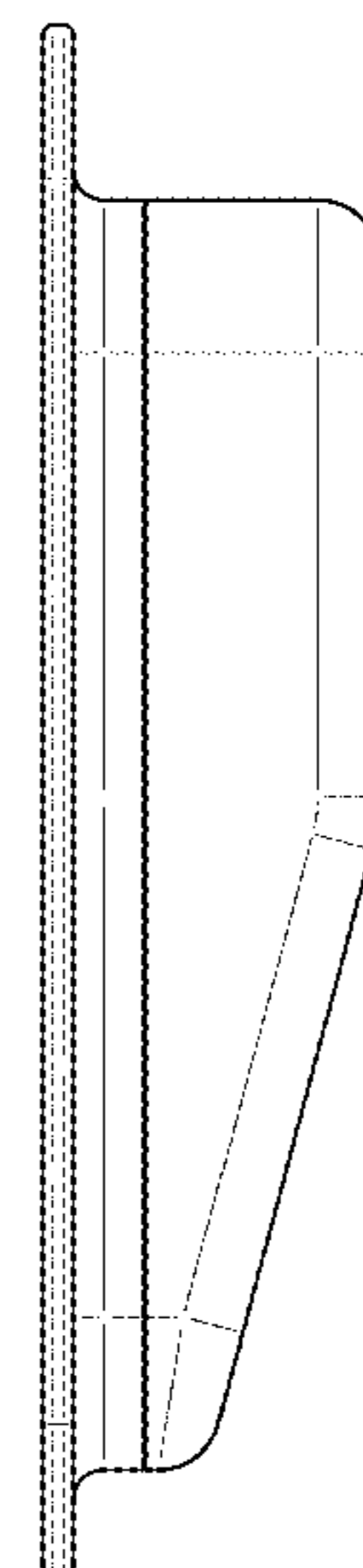
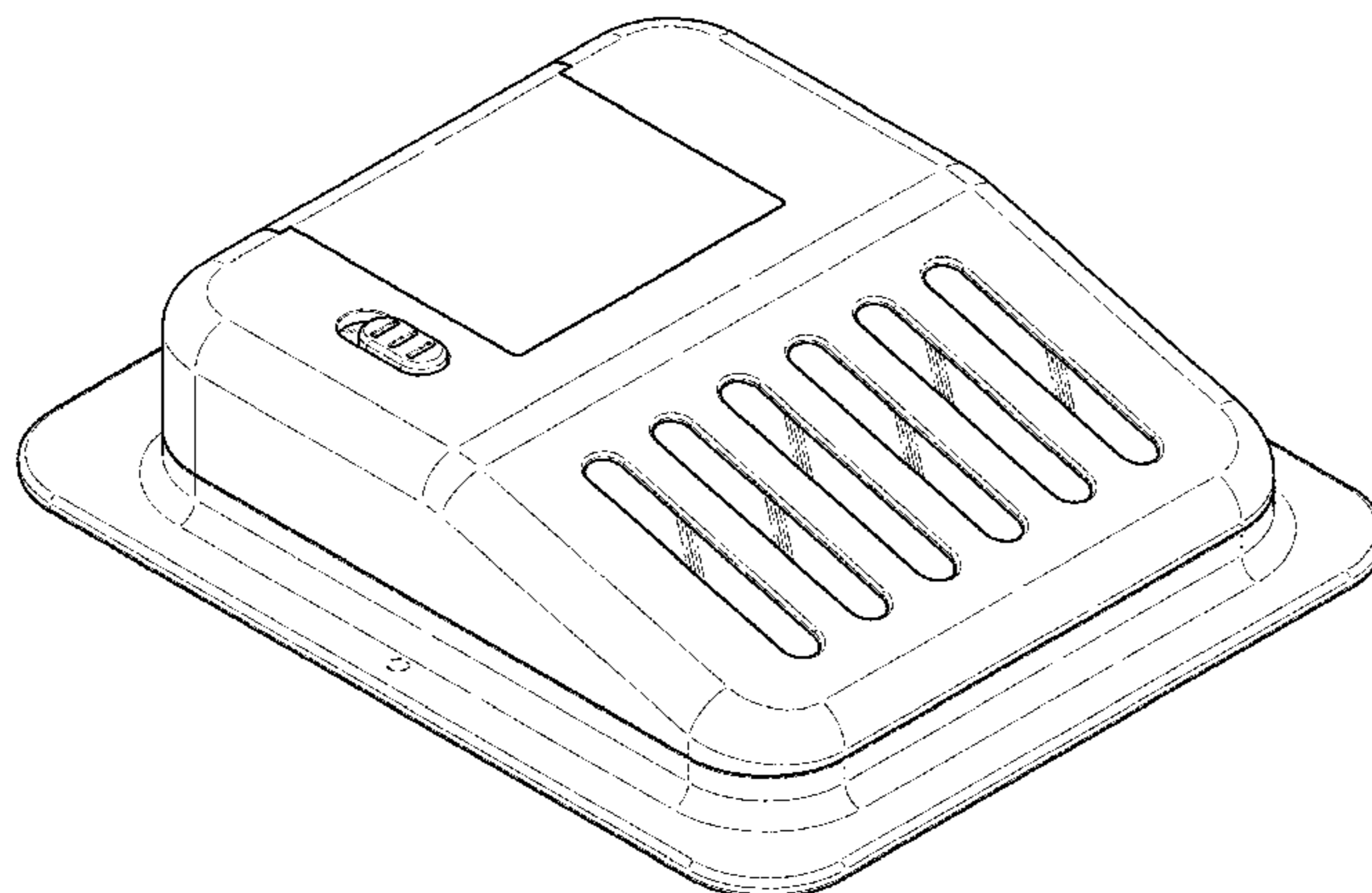
(57) **CLAIM**

What is claimed is the ornamental design for a light, as shown and described.

DESCRIPTION

FIG. 1 is a top front perspective view of the light.
FIG. 2 is a top rear perspective view of the light of FIG. 1.
FIG. 3 is a bottom front perspective view of the light of FIG. 1.
FIG. 4 is a top view of the light of FIG. 1.
FIG. 5 is a bottom view of the light of FIG. 1.
FIG. 6 is a left side view of the light of FIG. 1.
FIG. 7 is a right side view of the light of FIG. 1.
FIG. 8 is a back side view of the light of FIG. 1; and,
FIG. 9 is a front side view of the light of FIG. 1.
Features shown in dashed lines are shown for background only and are not a part of the claimed design. The internal area within the dashed border in FIGS. 3 and 5 is not a part of the claimed design.

1 Claim, 6 Drawing Sheets



(56)

References Cited

U.S. PATENT DOCUMENTS

2009/0034242 A1* 2/2009 Engel F21S 8/033
362/147
2010/0237248 A1* 9/2010 Walters G08B 13/193
250/340

* cited by examiner

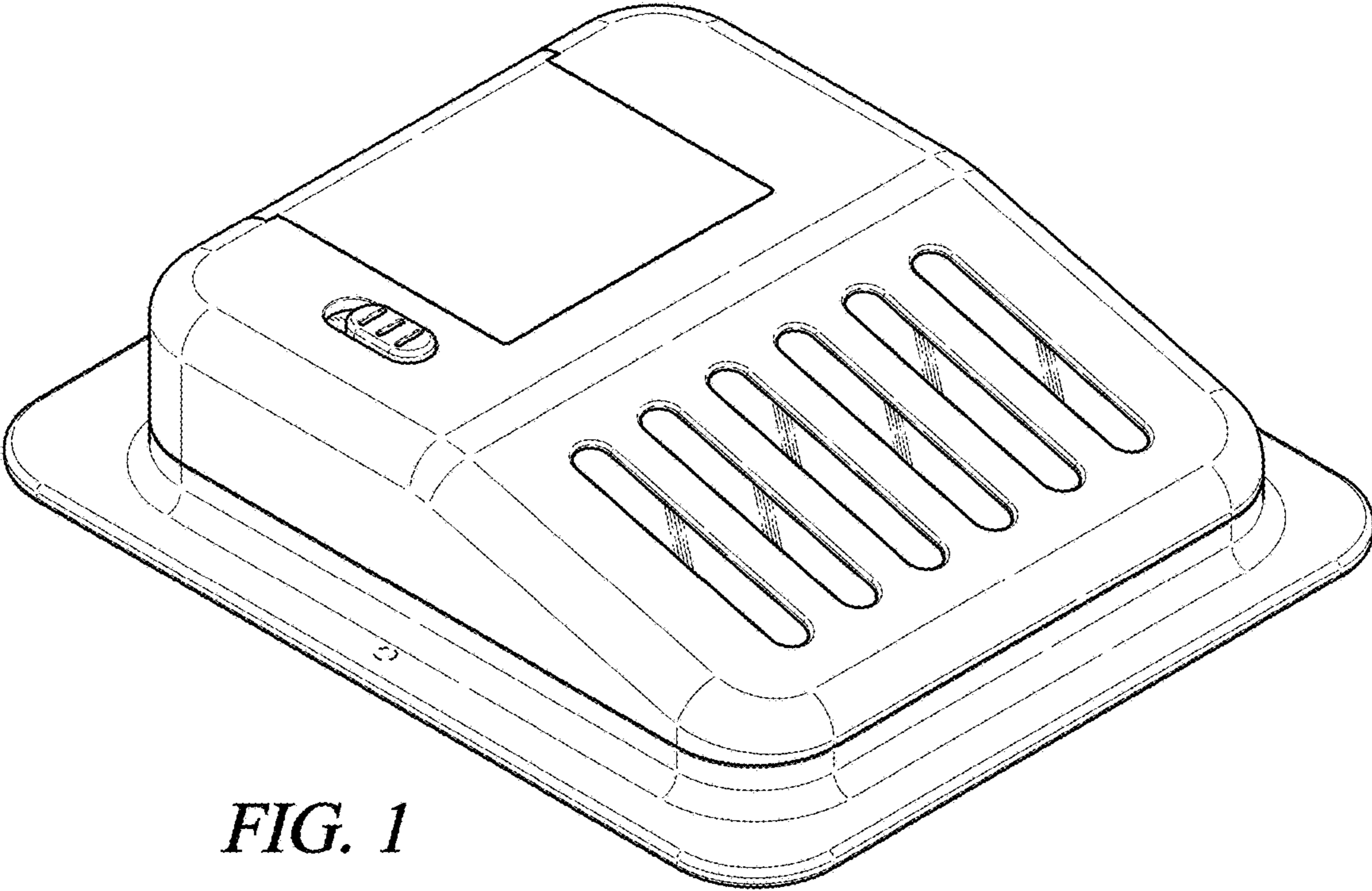


FIG. 1

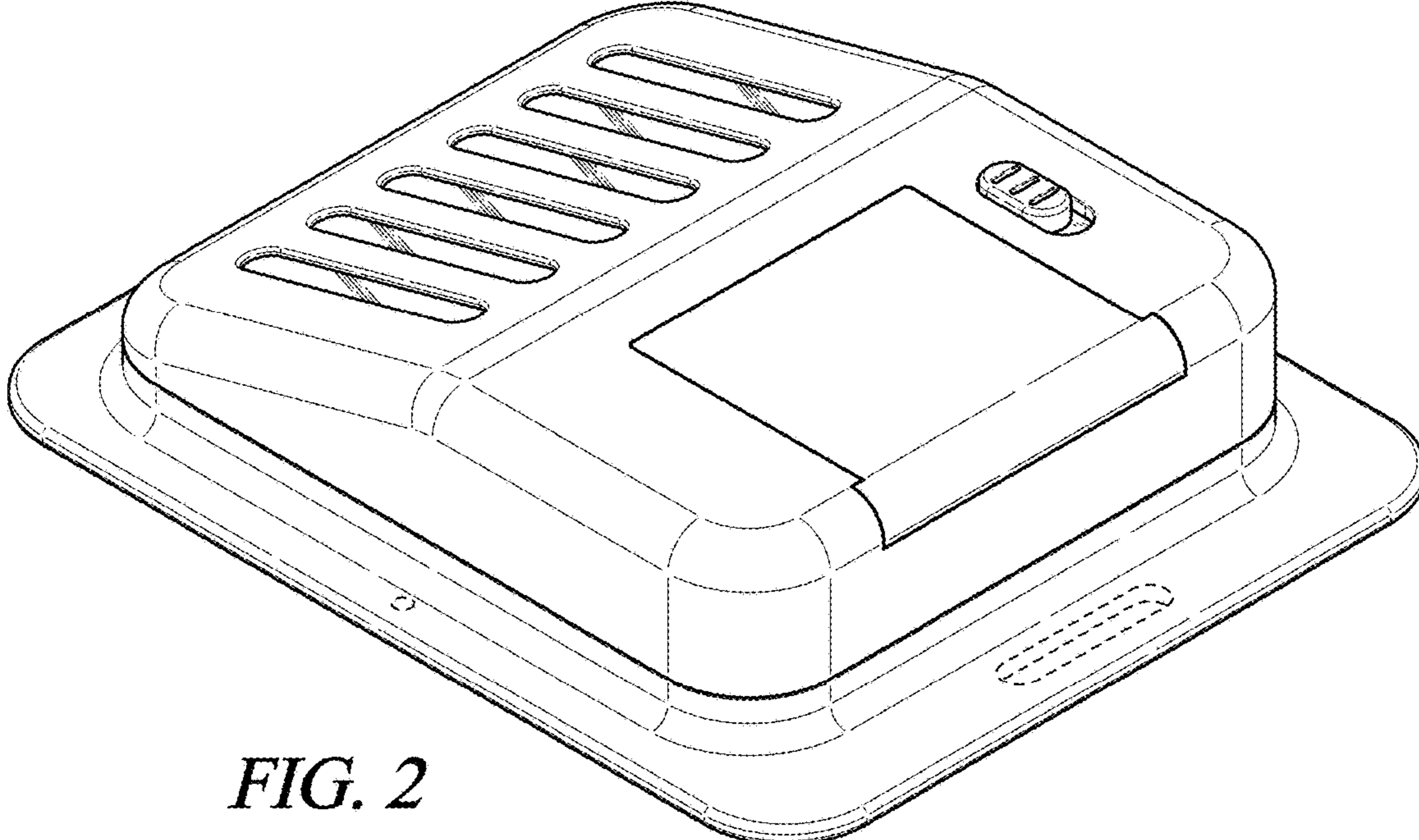


FIG. 2

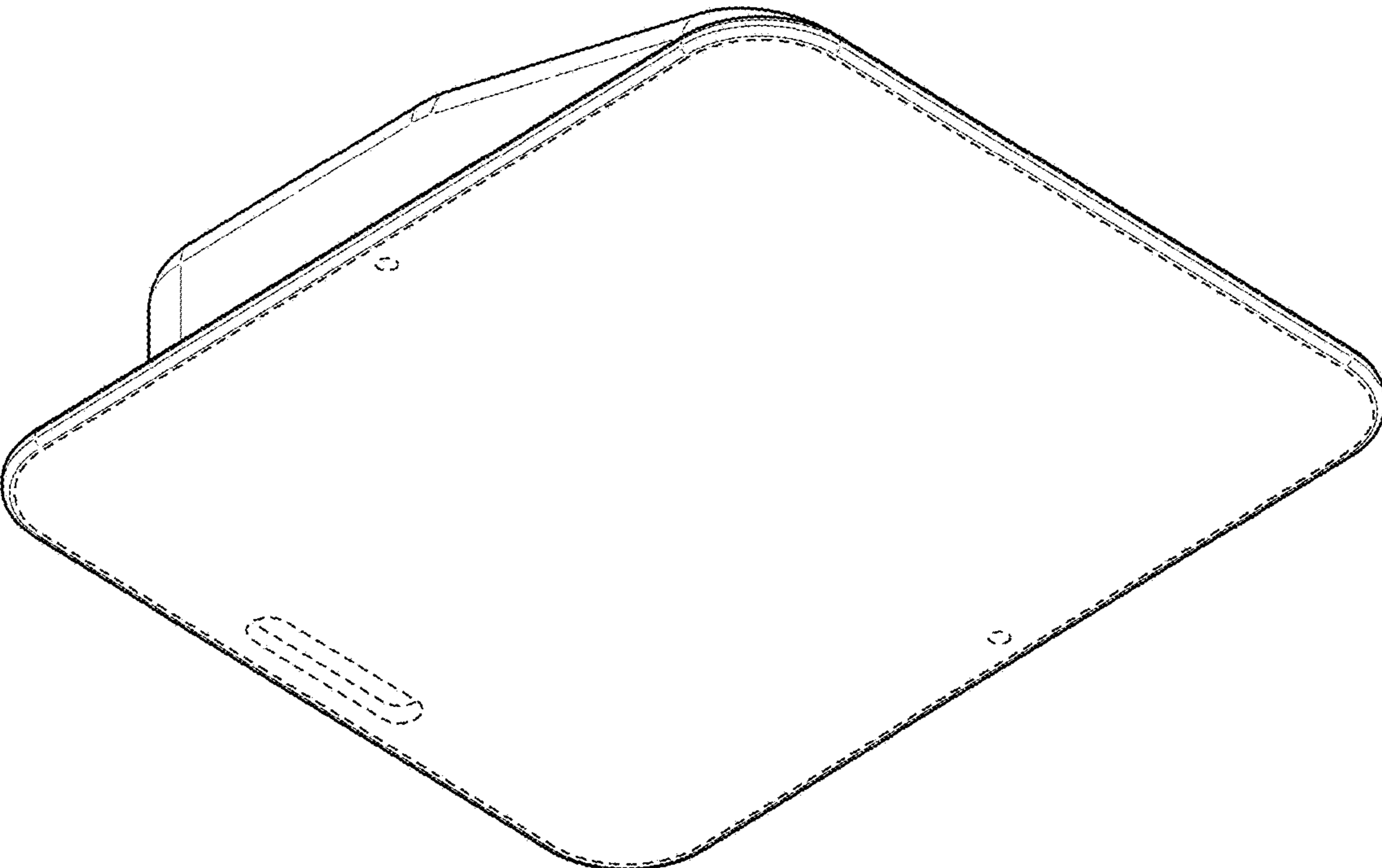


FIG. 3

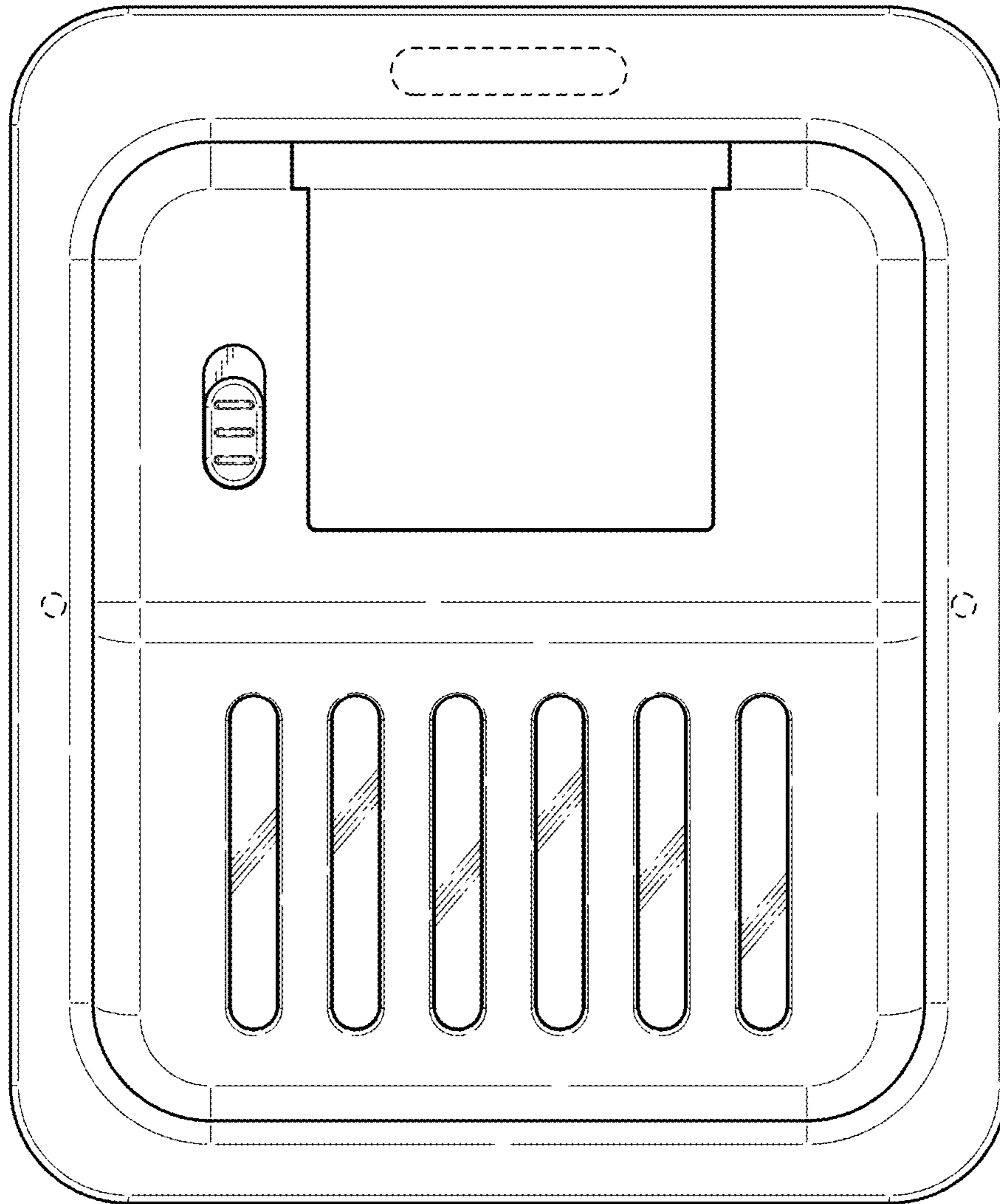


FIG. 4

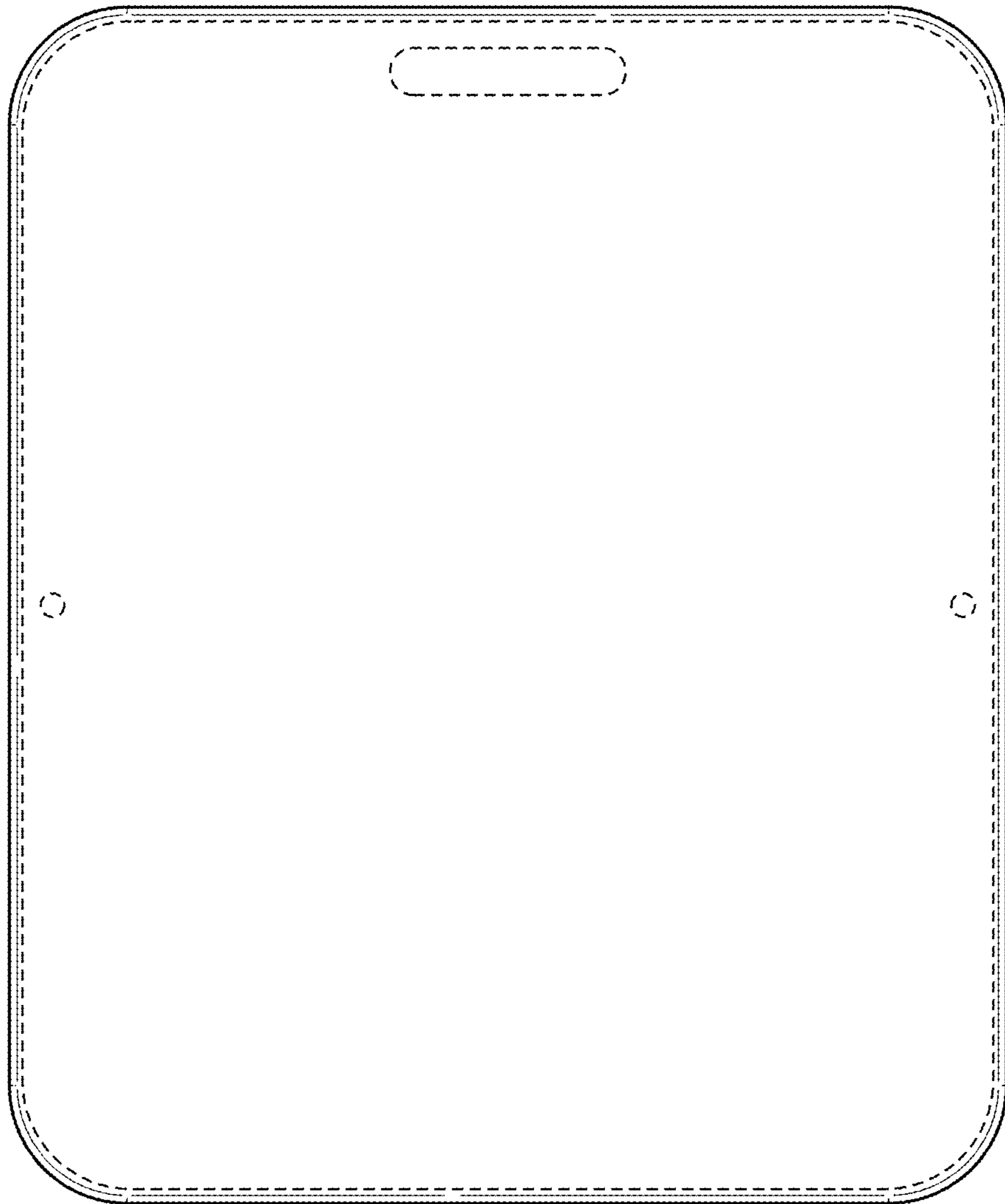


FIG. 5

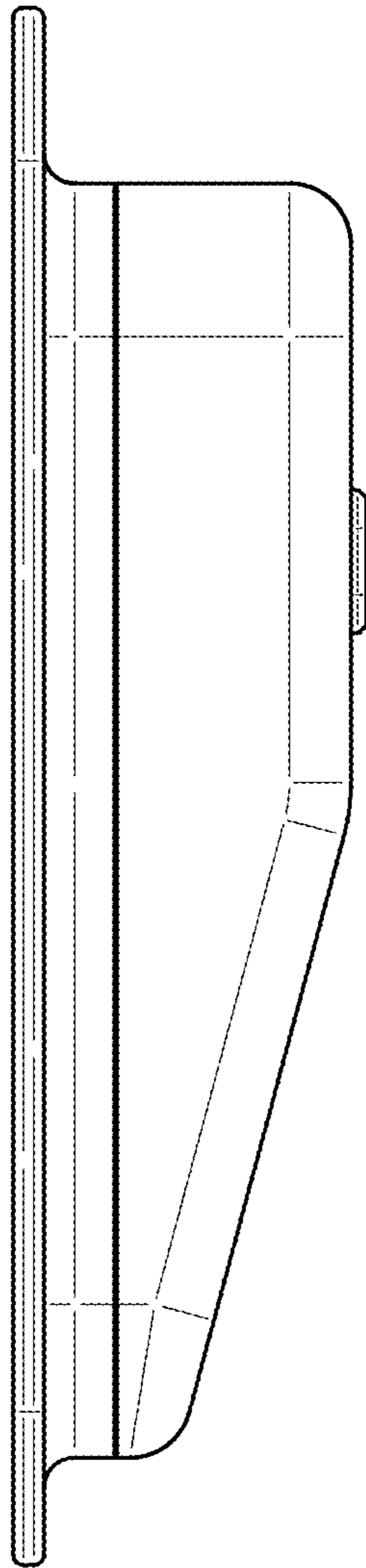


FIG. 6

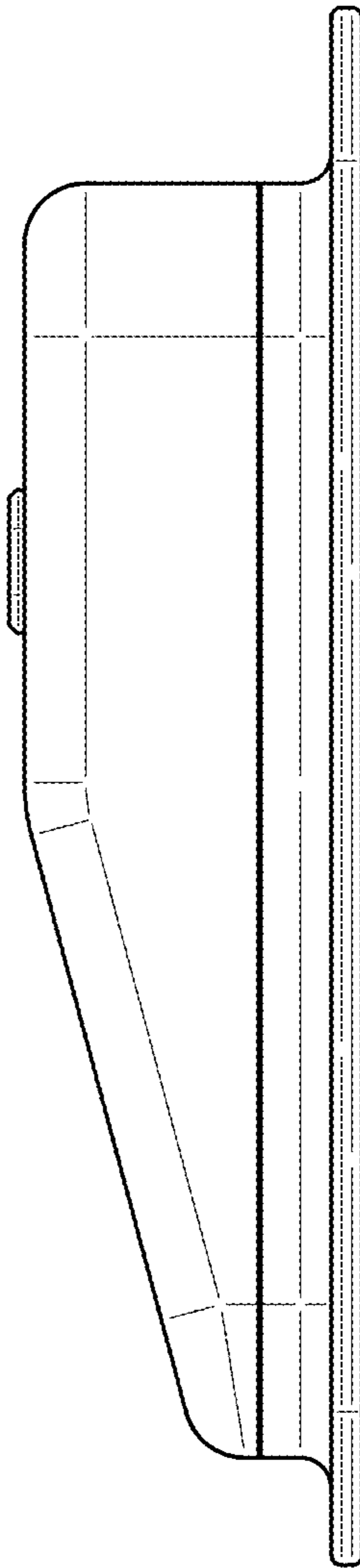


FIG. 7

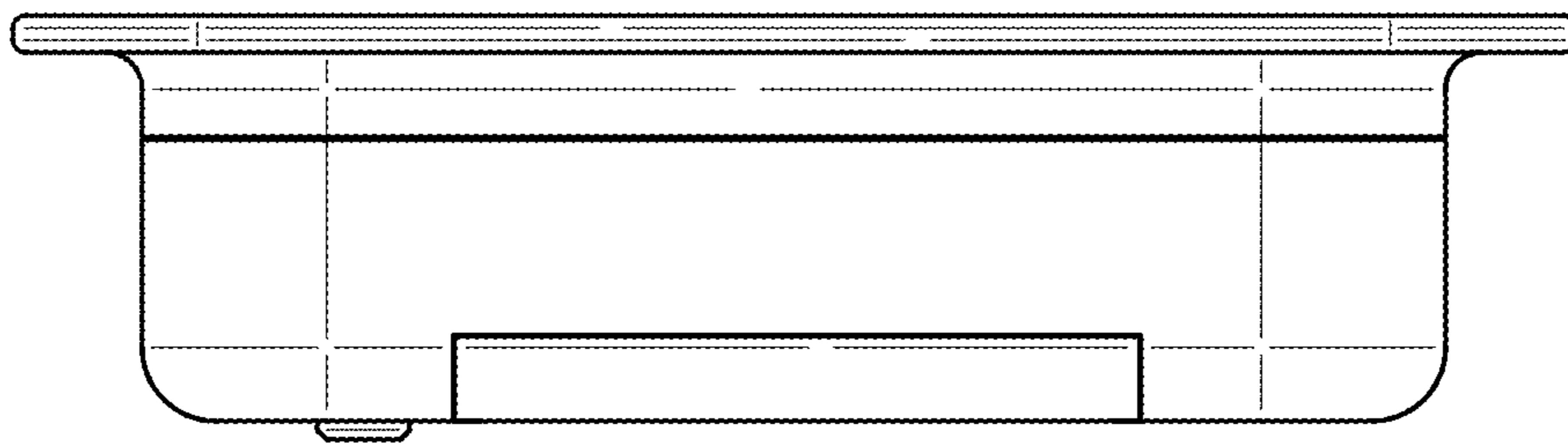


FIG. 8

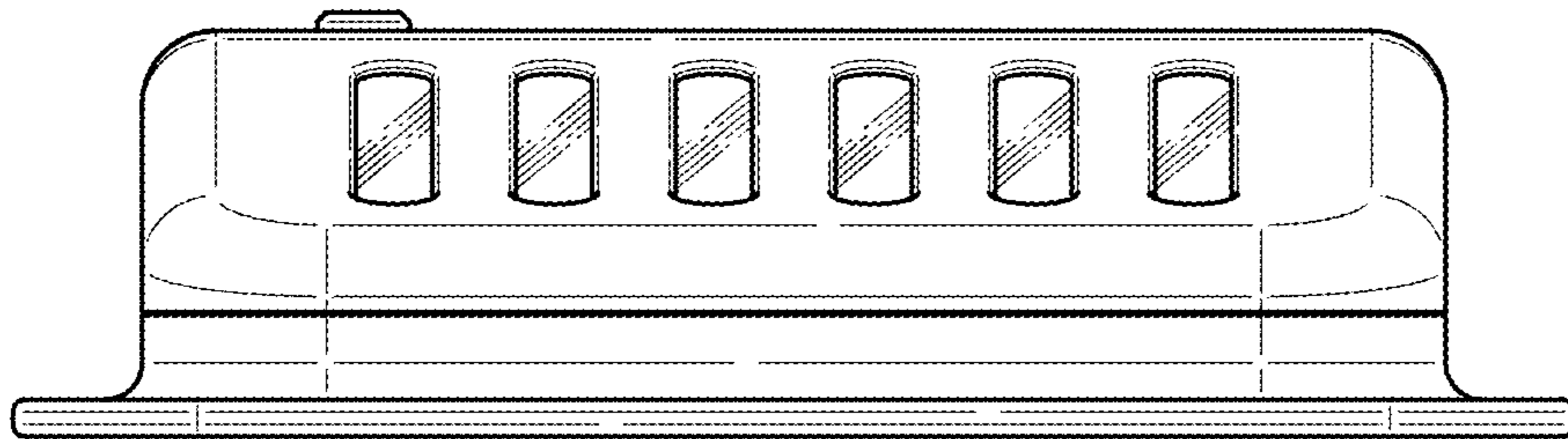


FIG. 9