



US00D835321S

(12) **United States Design Patent** (10) **Patent No.:** **US D835,321 S**
Delano et al. (45) **Date of Patent:** **** Dec. 4, 2018**

(54) **LIGHTING MODULE**

DESCRIPTION

- (71) Applicants: **Howard D. Delano**, Kingston, NY (US); **Jonathan I. Jones**, Highland, NY (US)
- (72) Inventors: **Howard D. Delano**, Kingston, NY (US); **Jonathan I. Jones**, Highland, NY (US)
- (73) Assignee: **USAI, LLC**, New Windsor, NY (US)
- (**) Term: **15 Years**
- (21) Appl. No.: **29/637,299**
- (22) Filed: **Feb. 15, 2018**

Related U.S. Application Data

- (62) Division of application No. 29/577,934, filed on Sep. 16, 2016, now Pat. No. Des. 814,670.
- (51) **LOC (11) Cl.** **26-05**
- (52) **U.S. Cl.**
USPC **D26/74**
- (58) **Field of Classification Search**
USPC D26/74, 72, 75, 76, 77, 78, 85, 88, 89, D26/118, 138, 141; 362/364, 365, 373,
(Continued)

References Cited

U.S. PATENT DOCUMENTS

- D411,031 S 6/1999 Conn et al.
 - D581,084 S 11/2008 Kawaguchi et al.
- (Continued)

Primary Examiner — Angela J Lee
(74) *Attorney, Agent, or Firm* — St. Onge Steward Johnston & Reens LLC

CLAIM

The ornamental design for a lighting module, as shown and described.

FIG. 1 is a perspective from the top view of a first embodiment of a lighting module in accordance with the new design;
 FIG. 2 is a front view thereof;
 FIG. 3 is a top view thereof;
 FIG. 4 is a back view thereof;
 FIG. 5 is a bottom view thereof;
 FIG. 6 is a right side view thereof; and
 FIG. 7 is a left side view thereof.
 FIG. 8 is a perspective from the top view of a second embodiment of a lighting module in accordance with the new design;
 FIG. 9 is a front view thereof;
 FIG. 10 is a top view thereof;
 FIG. 11 is a back view thereof;
 FIG. 12 is a bottom view thereof;
 FIG. 13 is a right side view thereof; and
 FIG. 14 is a left side view thereof.
 FIG. 15 is a perspective from the top view of a third embodiment of a lighting module in accordance with the new design;
 FIG. 16 is a front view thereof;
 FIG. 17 is a top view thereof;
 FIG. 18 is a back view thereof;
 FIG. 19 is a bottom view thereof;
 FIG. 20 is a right side view thereof; and
 FIG. 21 is a left side view thereof.
 FIG. 22 is a perspective from the top view of a fourth embodiment of a lighting module in accordance with the new design;
 FIG. 23 is a front view thereof;
 FIG. 24 is a top view thereof;
 FIG. 25 is a back view thereof;
 FIG. 26 is a bottom view thereof;
 FIG. 27 is a right side view thereof; and
 FIG. 28 is a left side view thereof.
 FIG. 29 is a perspective from the top view of a fifth embodiment of a lighting module in accordance with the new design;
 FIG. 30 is a front view thereof;
 FIG. 31 is a top view thereof;
 FIG. 32 is a back view thereof;

(Continued)

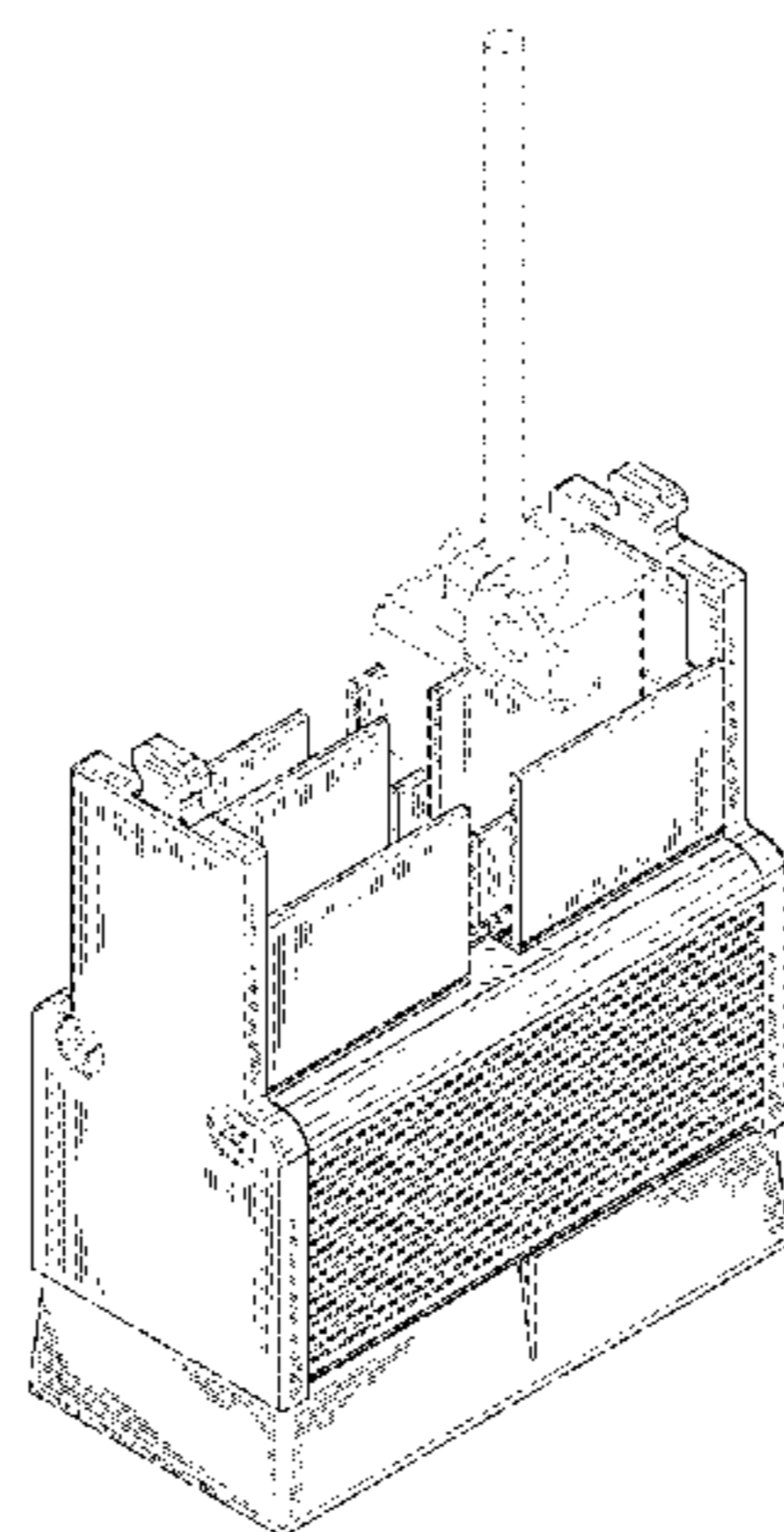


FIG. 33 is a bottom view thereof;
FIG. 34 is a right side view thereof; and,
FIG. 35 is a left side view thereof.
The broken lines shown in FIGS. 1-4, 6-11, 13-18, 20-25,
27-32, 34-35 are for the purpose of illustrating portions of
the lighting module that form no part of the claimed design.

1 Claim, 22 Drawing Sheets

(58) **Field of Classification Search**

USPC 362/145, 146, 147, 148, 150, 153, 153.1,
362/294, 296.01, 296.07, 296.08

See application file for complete search history.

(56) **References Cited**

U.S. PATENT DOCUMENTS

D628,734 S * 12/2010 Waldmann D26/74
D632,821 S 2/2011 Culbert

D633,636 S 3/2011 Gielen
D646,012 S * 9/2011 Irvine D26/74
D661,008 S 5/2012 Yuan
D673,712 S 1/2013 Patel
D677,821 S 3/2013 Jeon
D698,970 S 2/2014 Guzzini
D698,971 S 2/2014 Guzzini
D698,972 S 2/2014 Guzzini
D699,385 S 2/2014 Guzzini
D715,476 S 10/2014 Tien et al.
D768,327 S 10/2016 Guzzini
D768,903 S 10/2016 Guzzini
D779,702 S 2/2017 Yeh
D780,362 S * 2/2017 Akiyama D26/74
D783,884 S * 4/2017 Li D26/89
D784,592 S * 4/2017 Gan D26/72
D784,599 S 4/2017 Sibitzky et al.
D785,225 S * 4/2017 Gan D26/72
D805,674 S * 12/2017 Salomon D26/74
D814,670 S * 4/2018 Delano D26/28

* cited by examiner

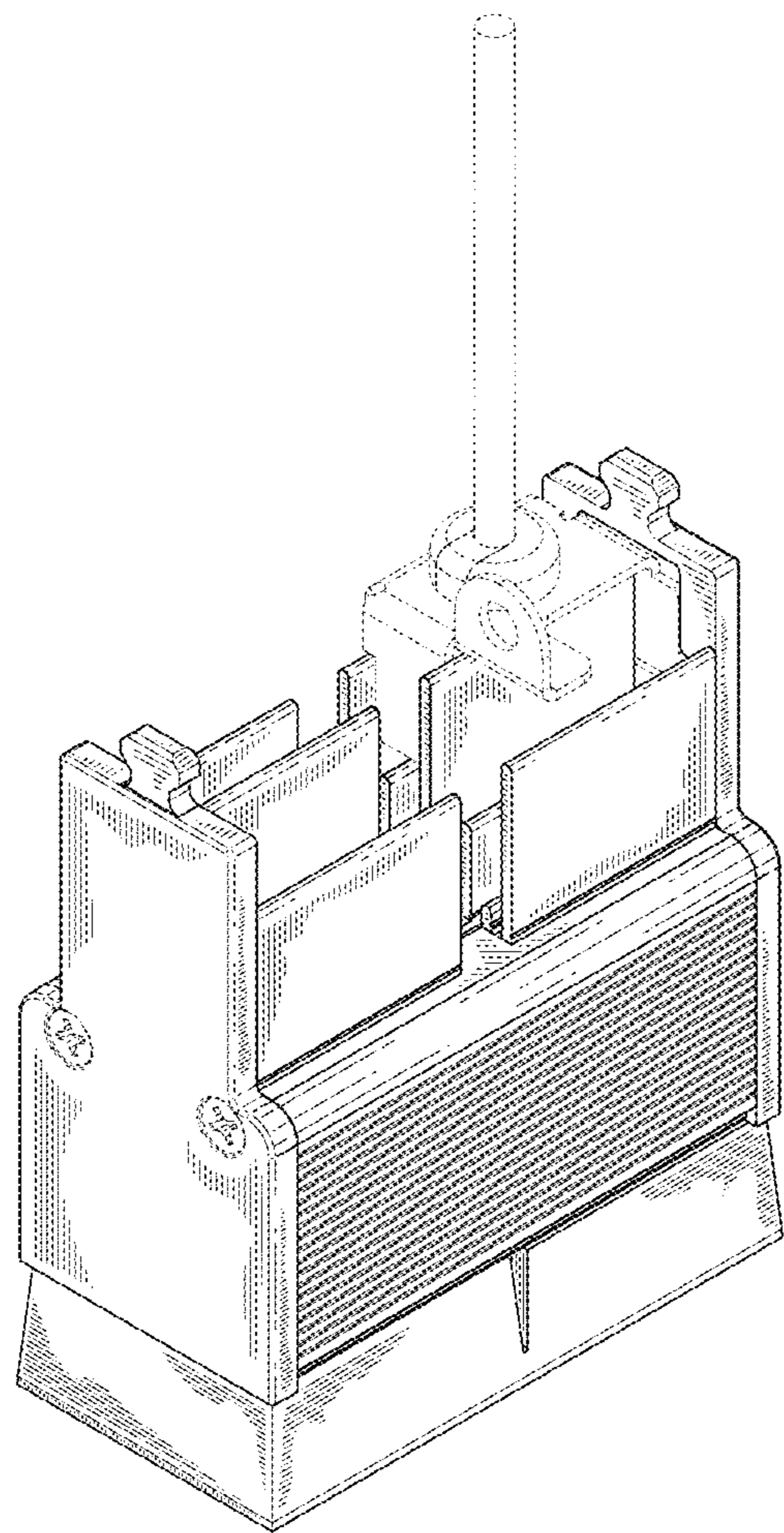


FIG. 1

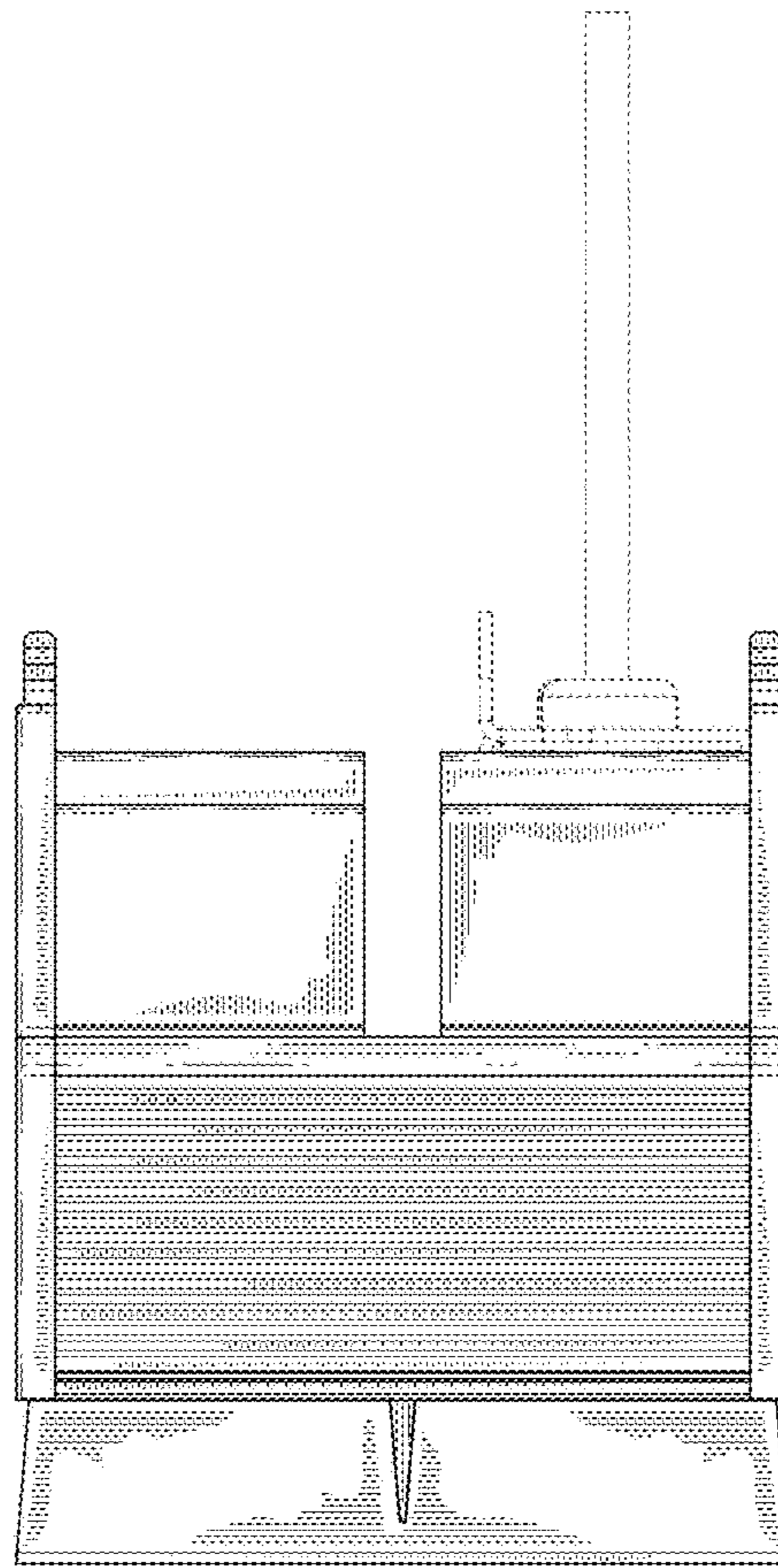


FIG. 2

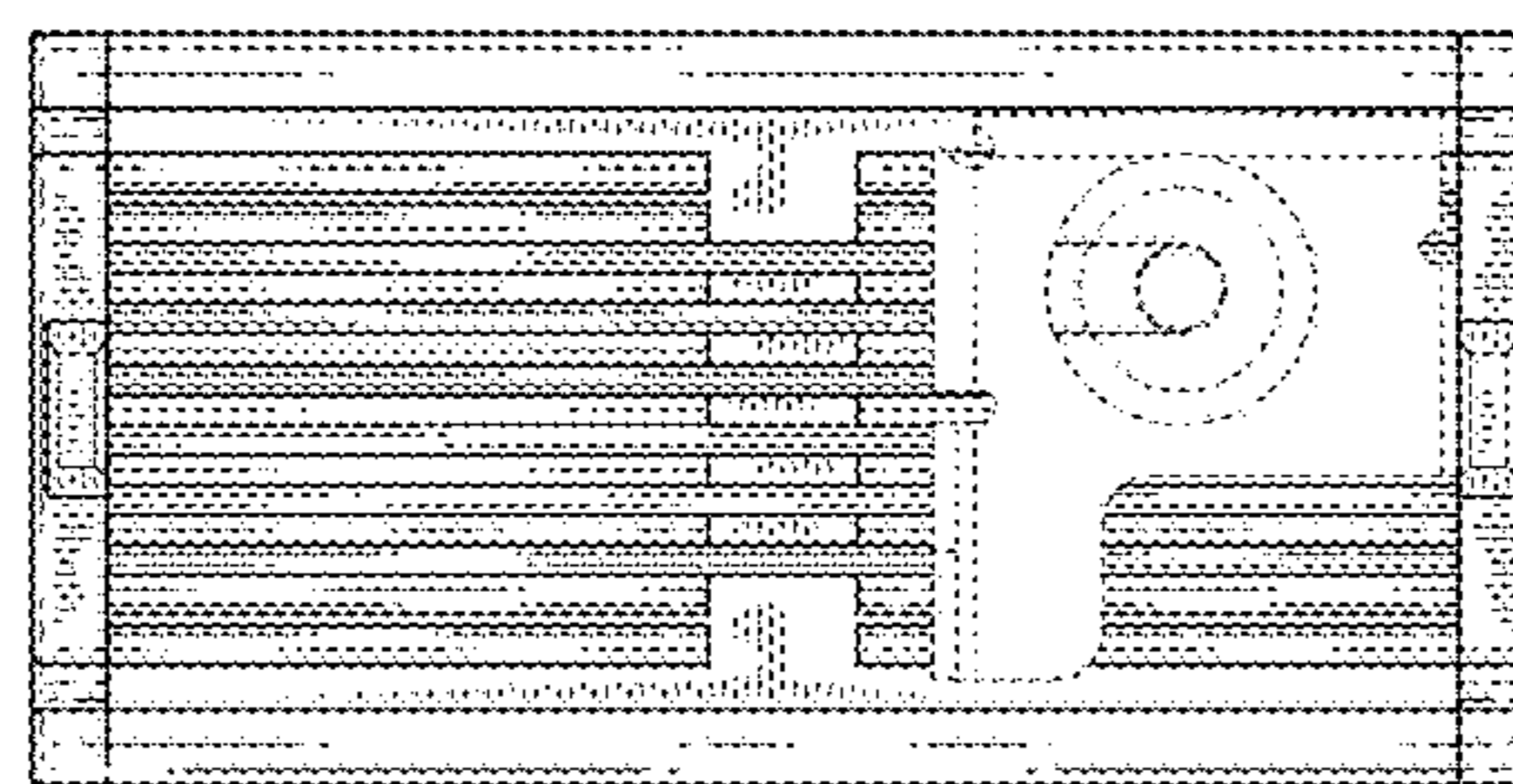


FIG. 3

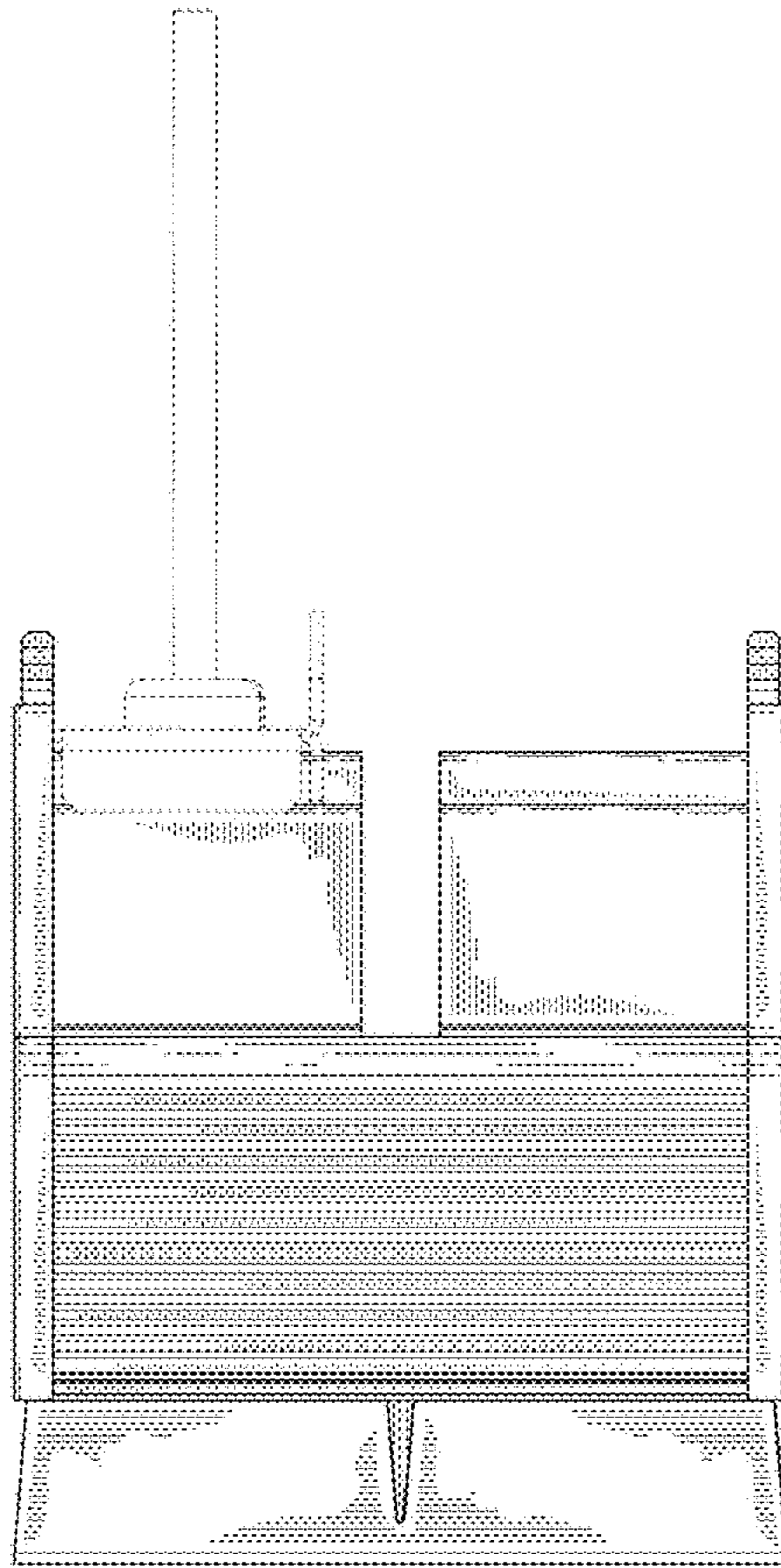


FIG. 4

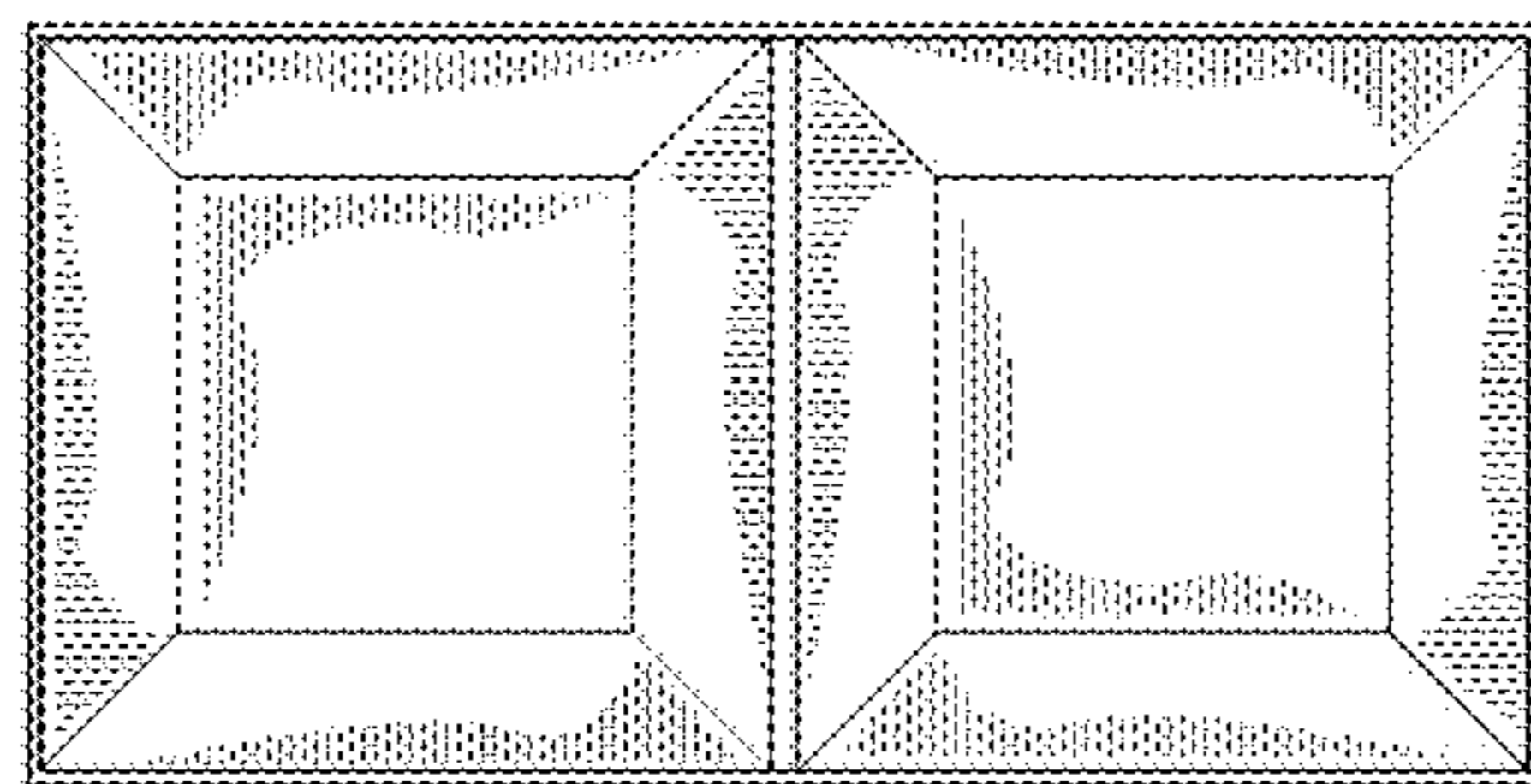


FIG. 5

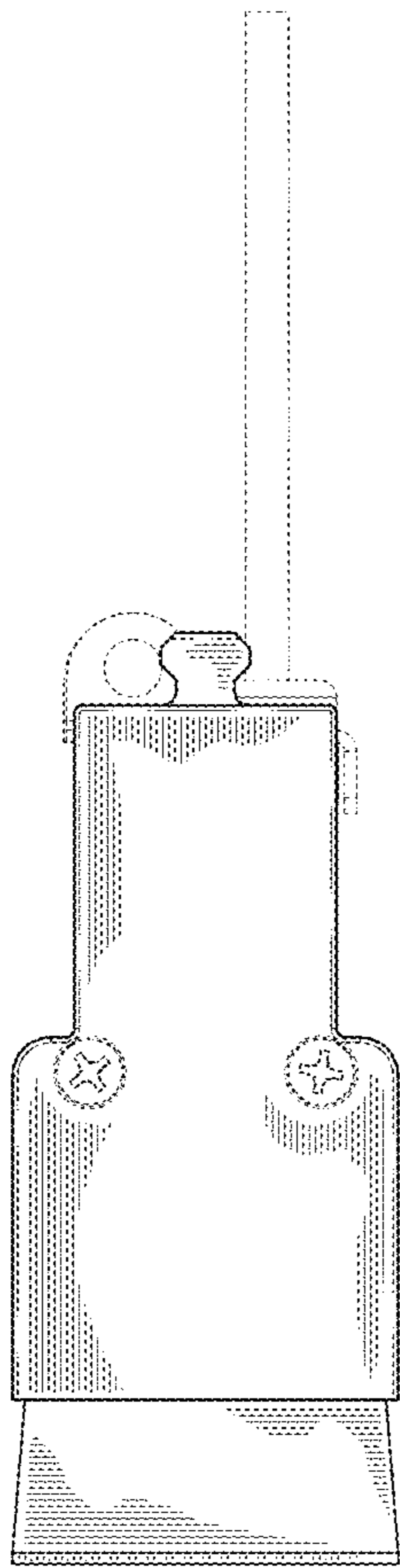


FIG. 6

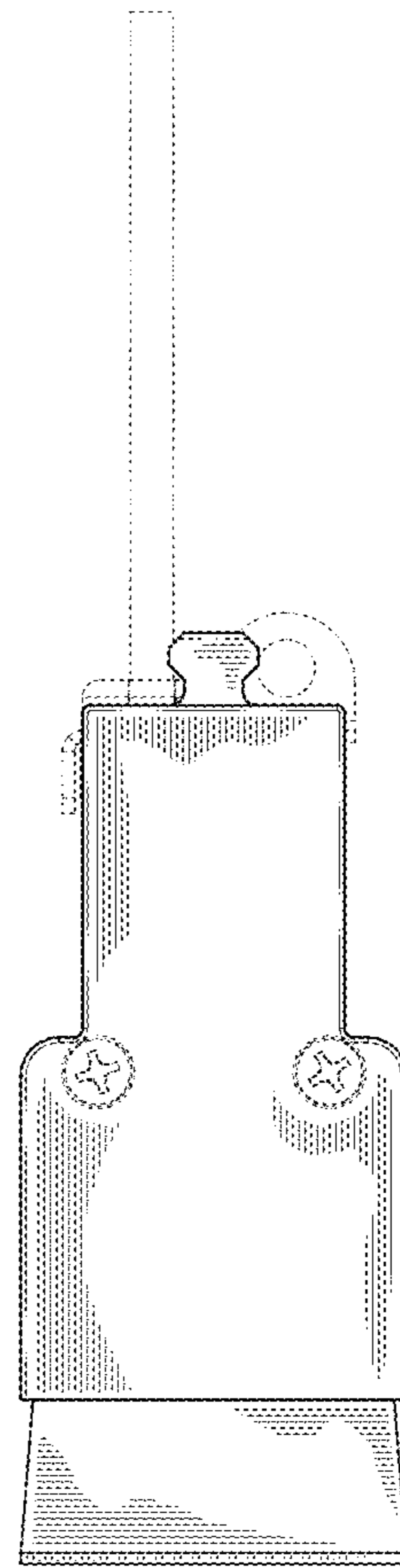


FIG. 7

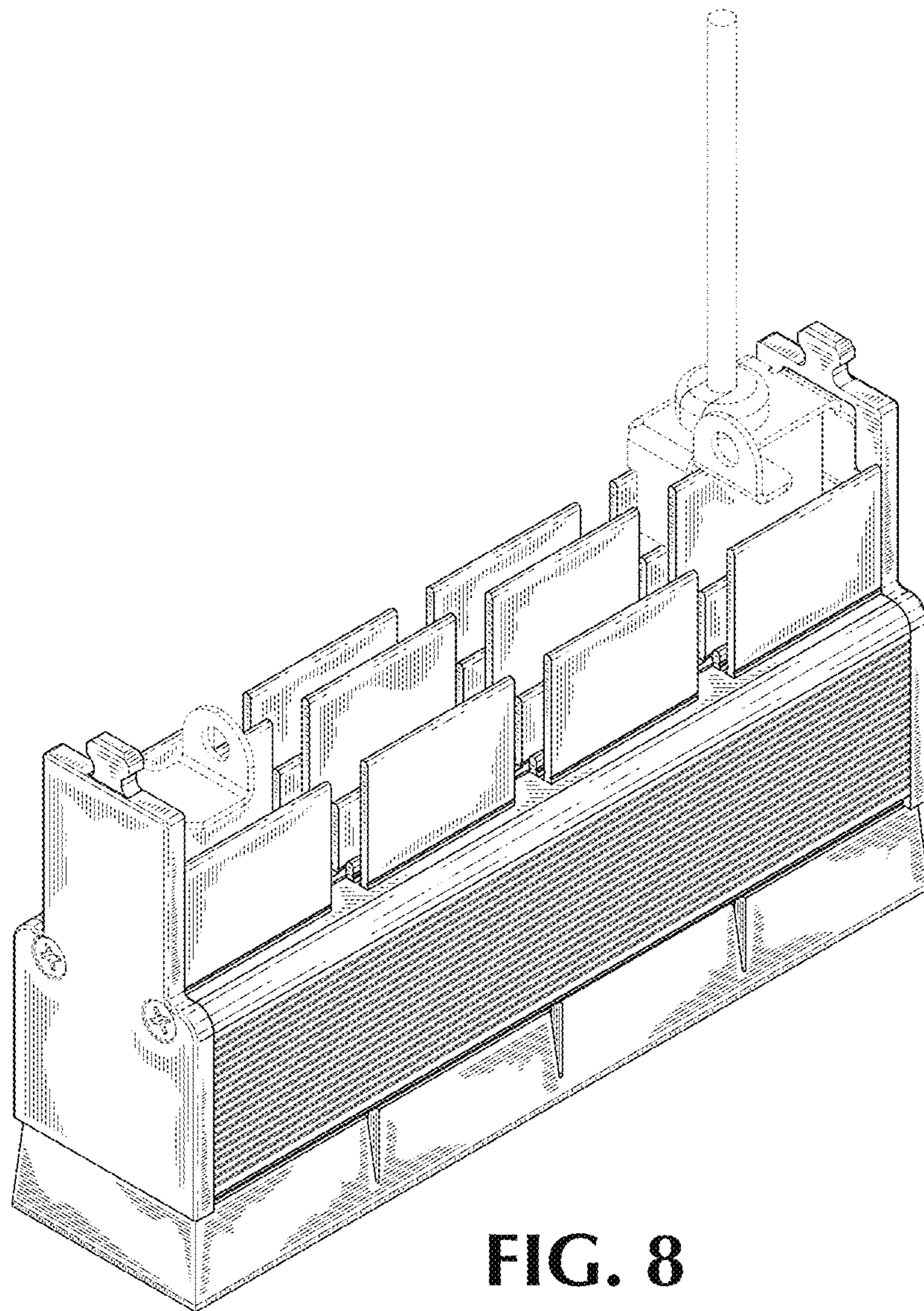


FIG. 8

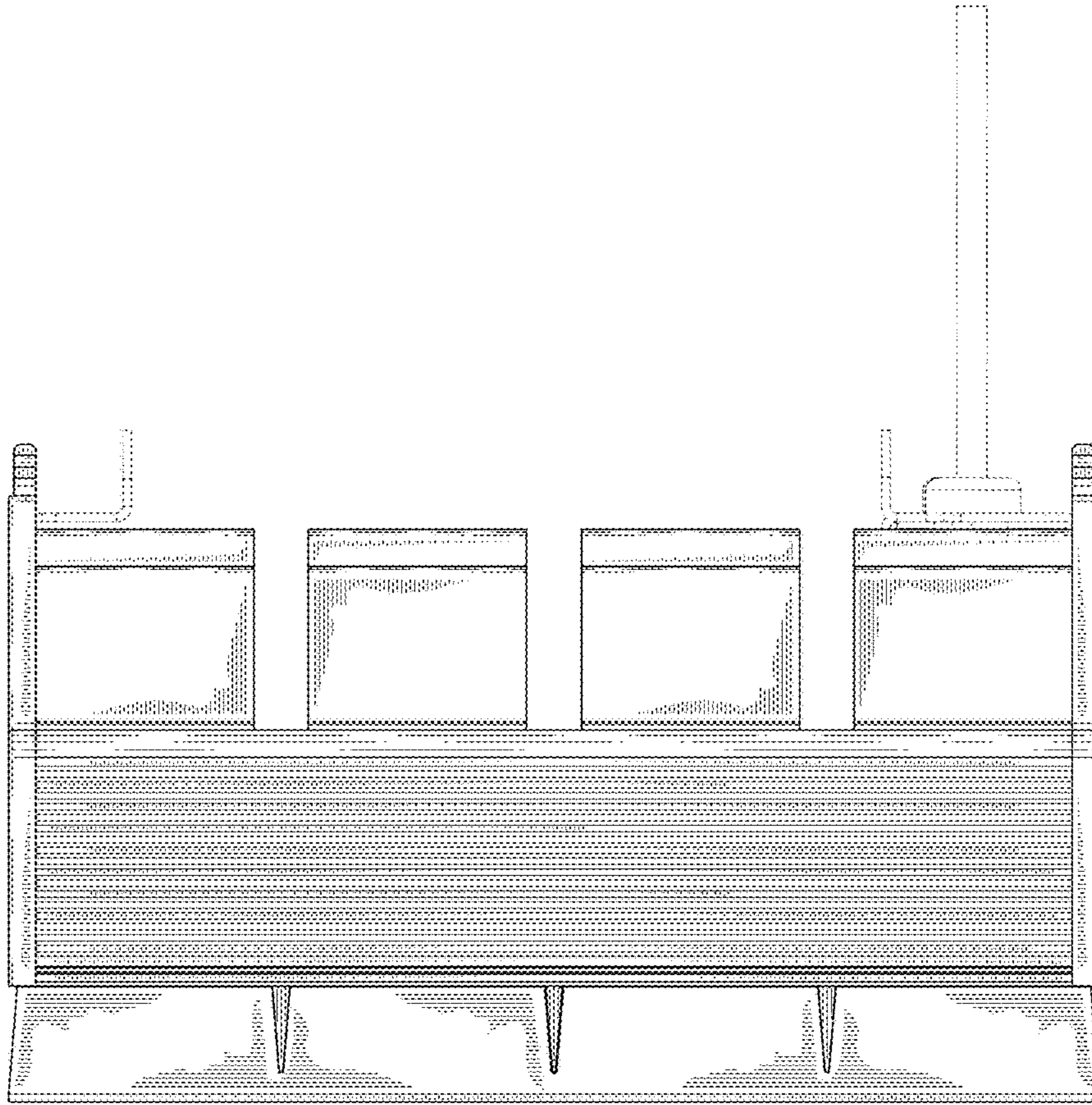


FIG. 9

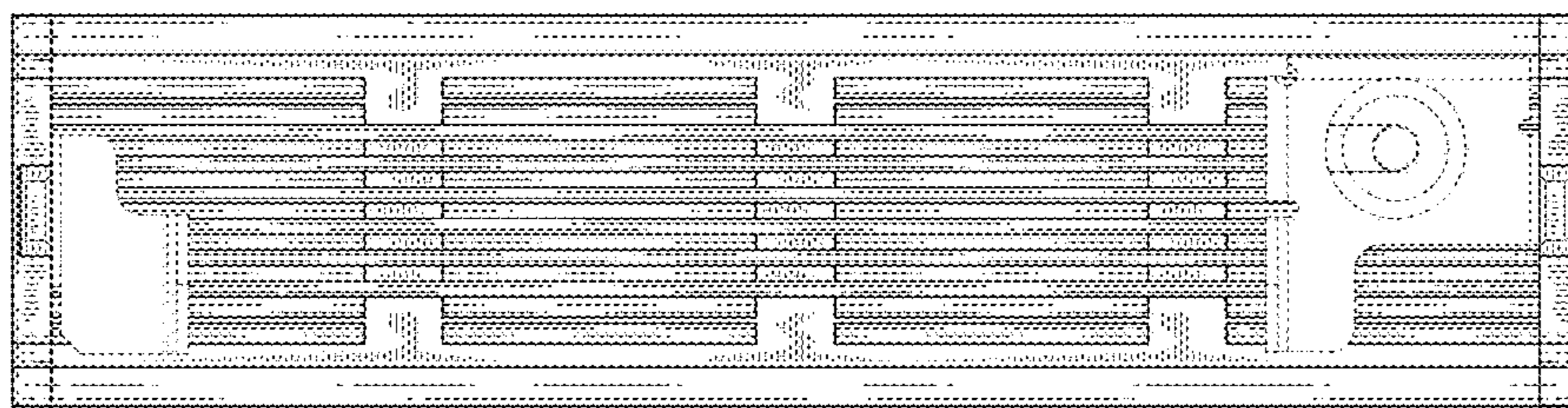


FIG. 10

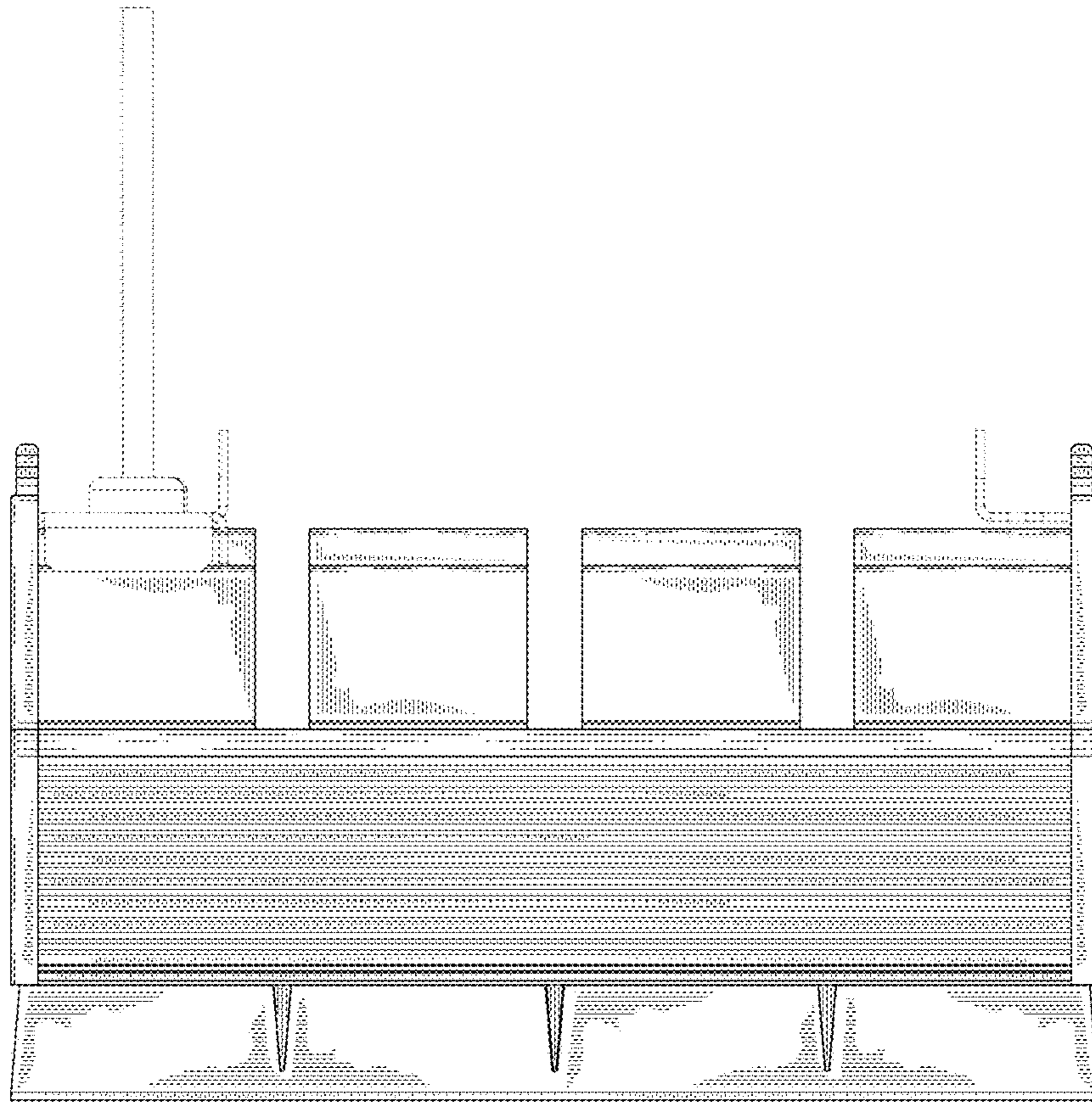


FIG. 11

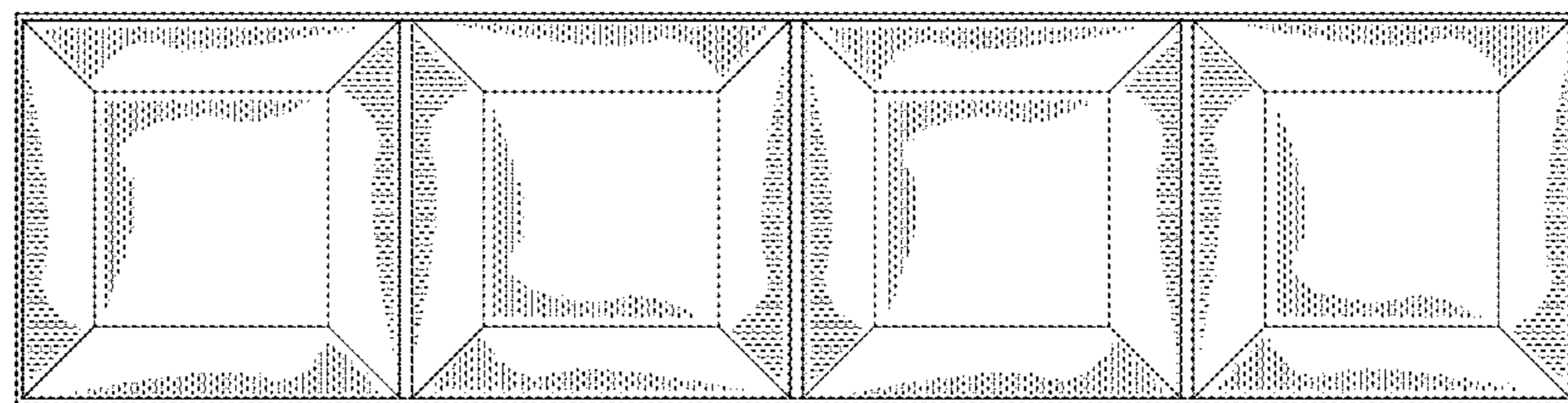


FIG. 12

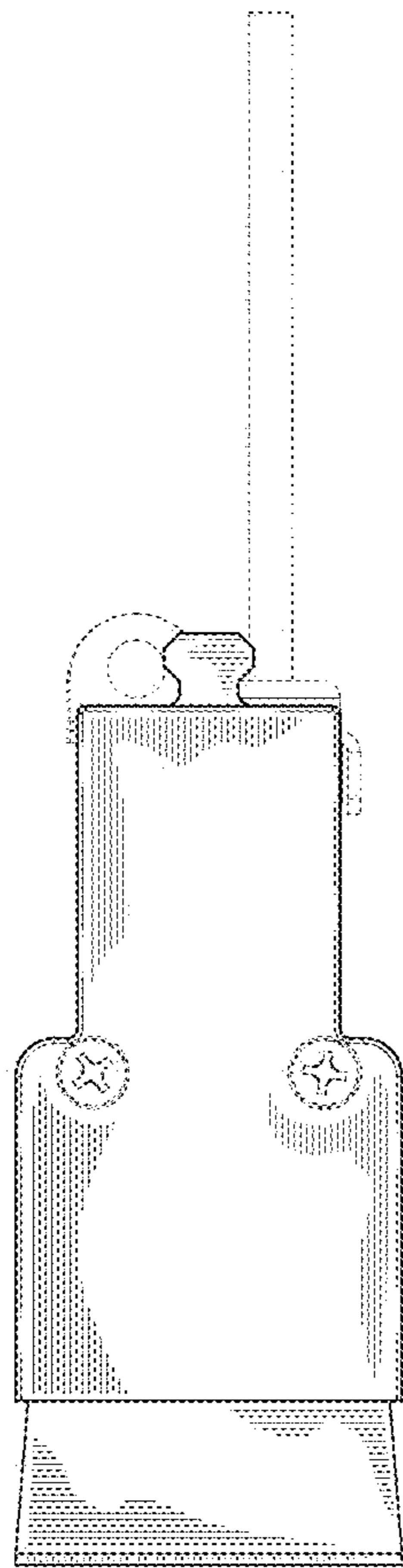


FIG. 13

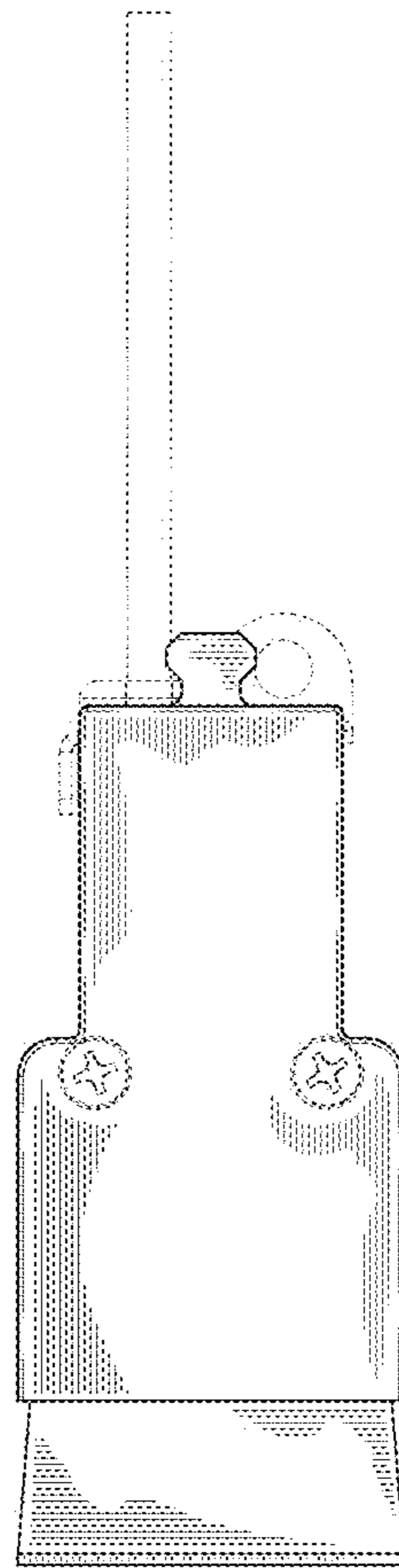


FIG. 14

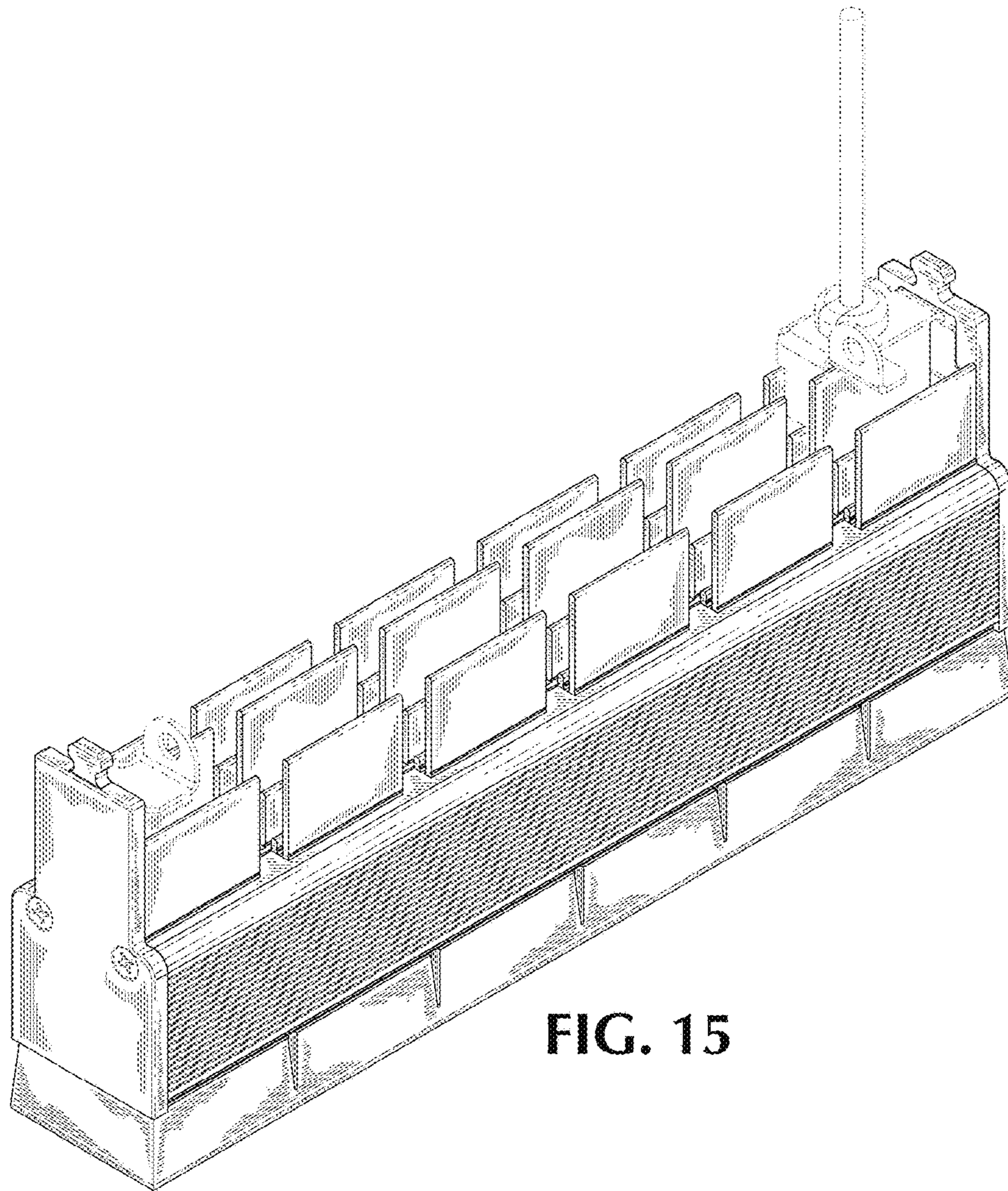


FIG. 15

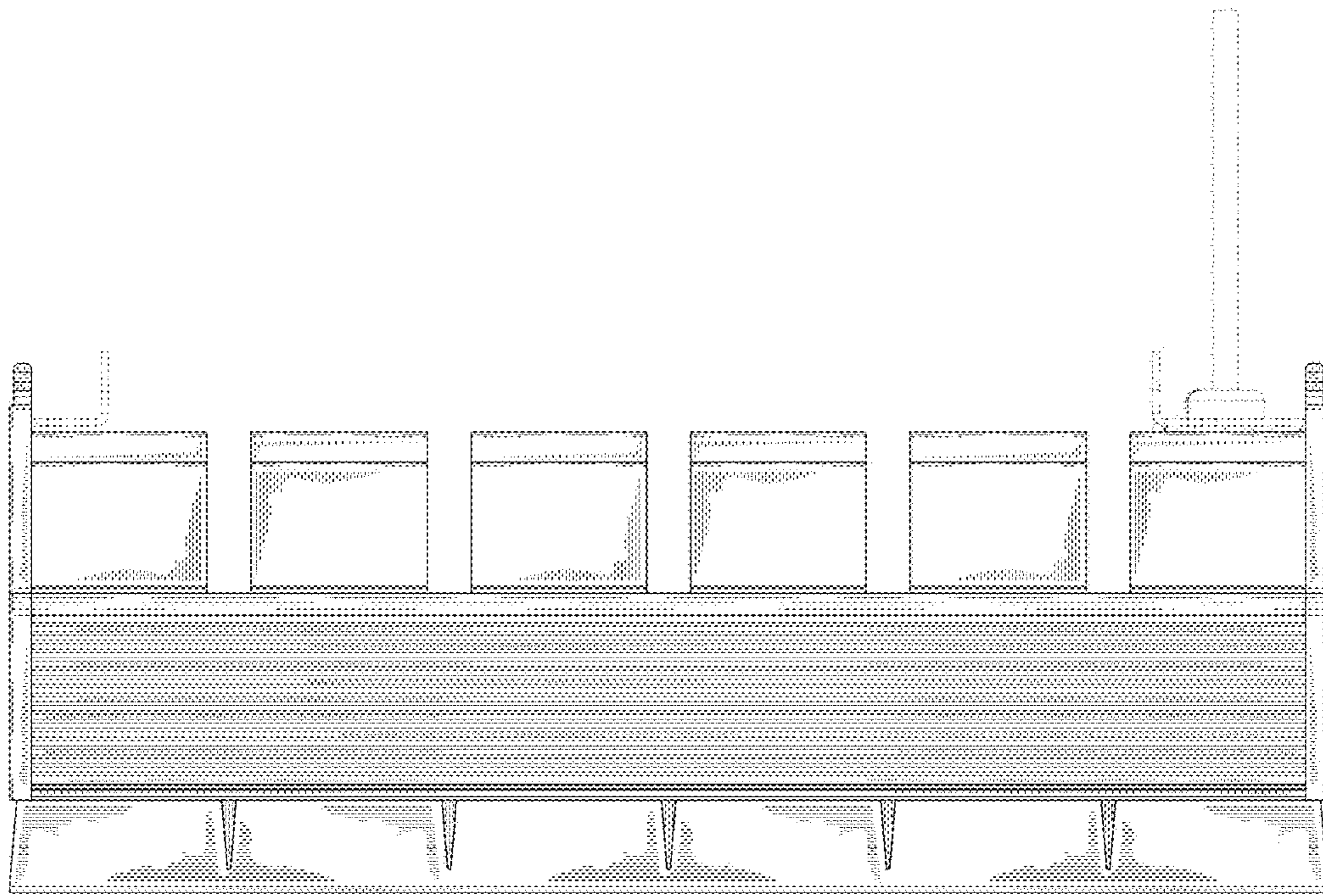


FIG. 16

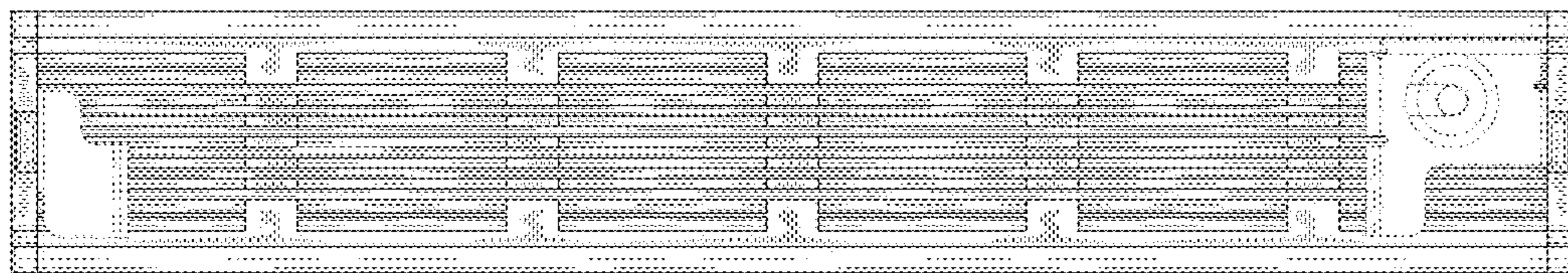


FIG. 17

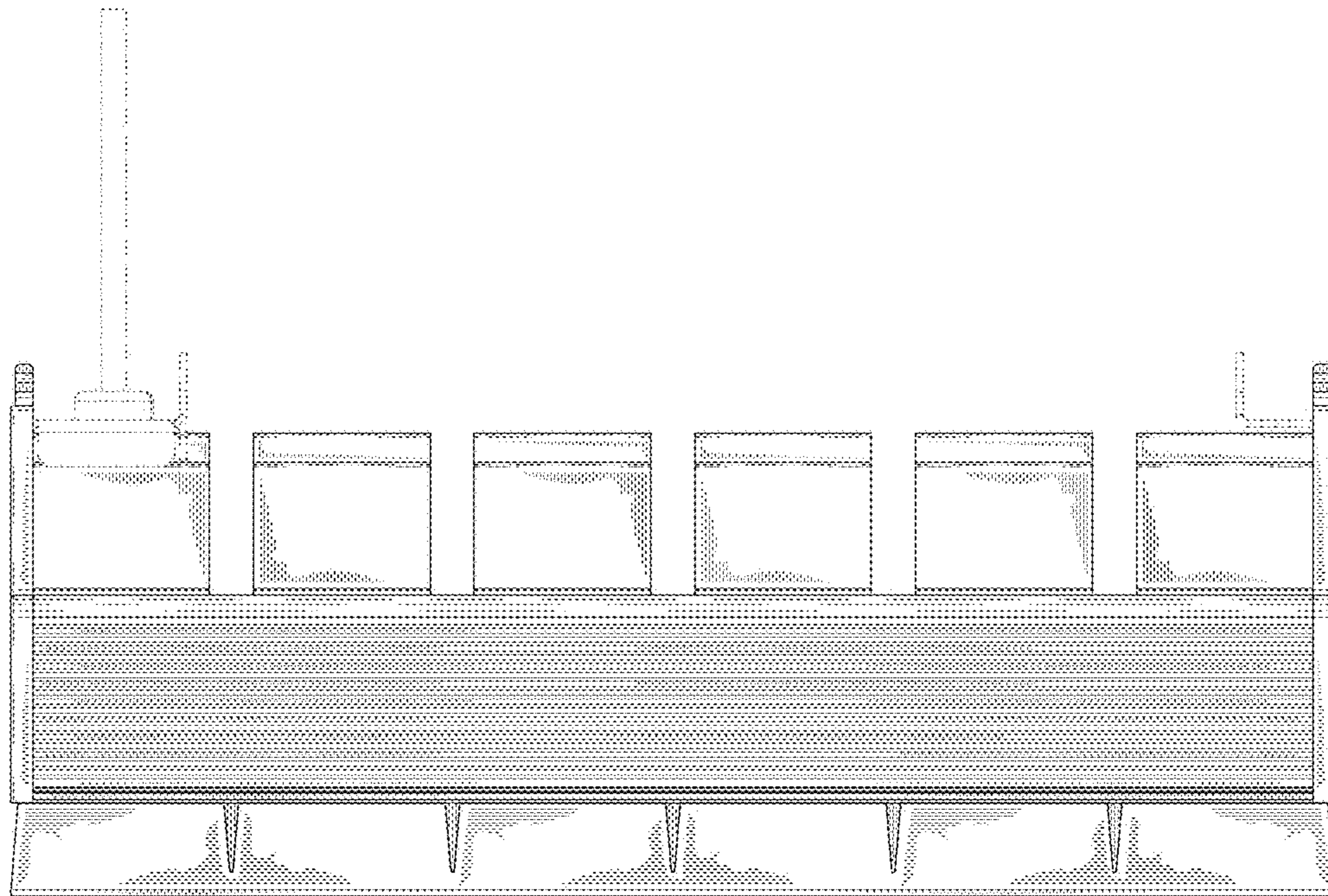


FIG. 18

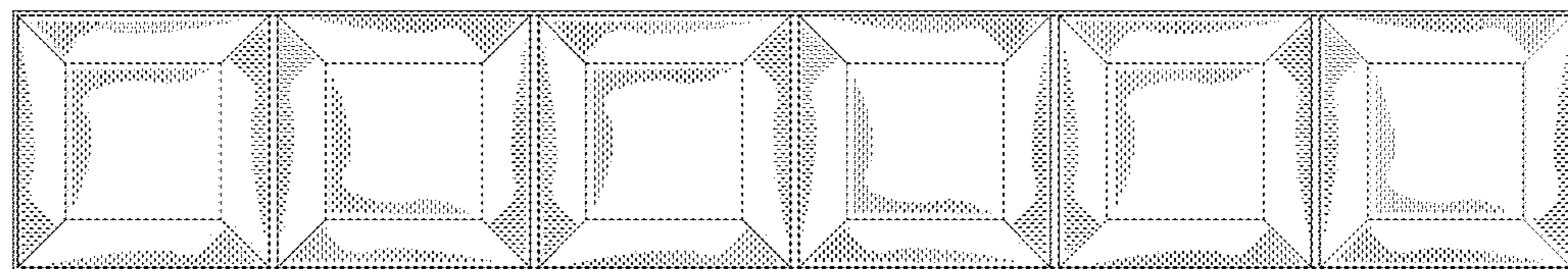


FIG. 19

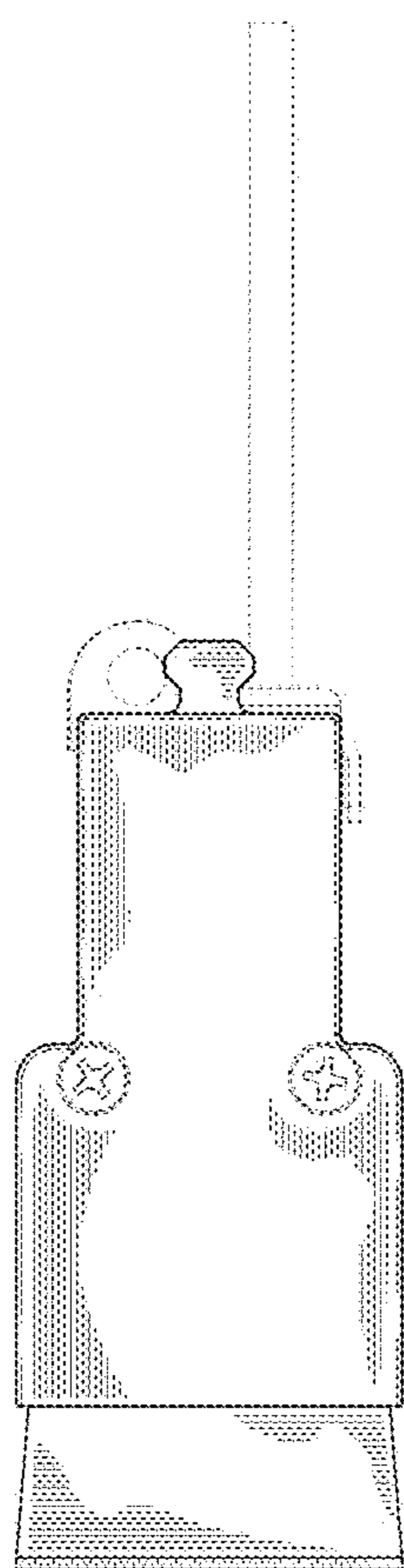


FIG. 20

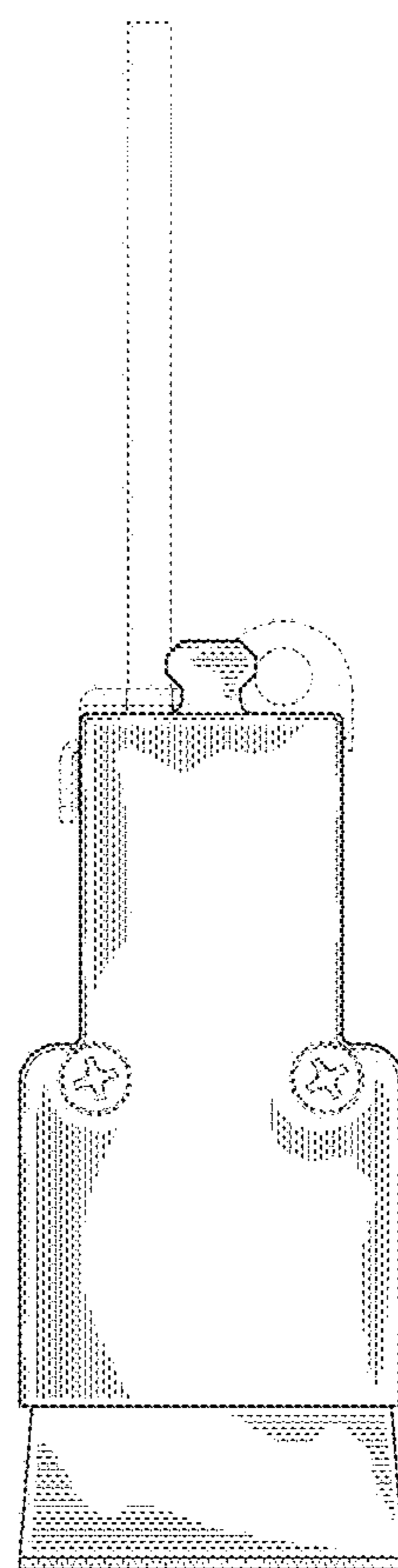


FIG. 21

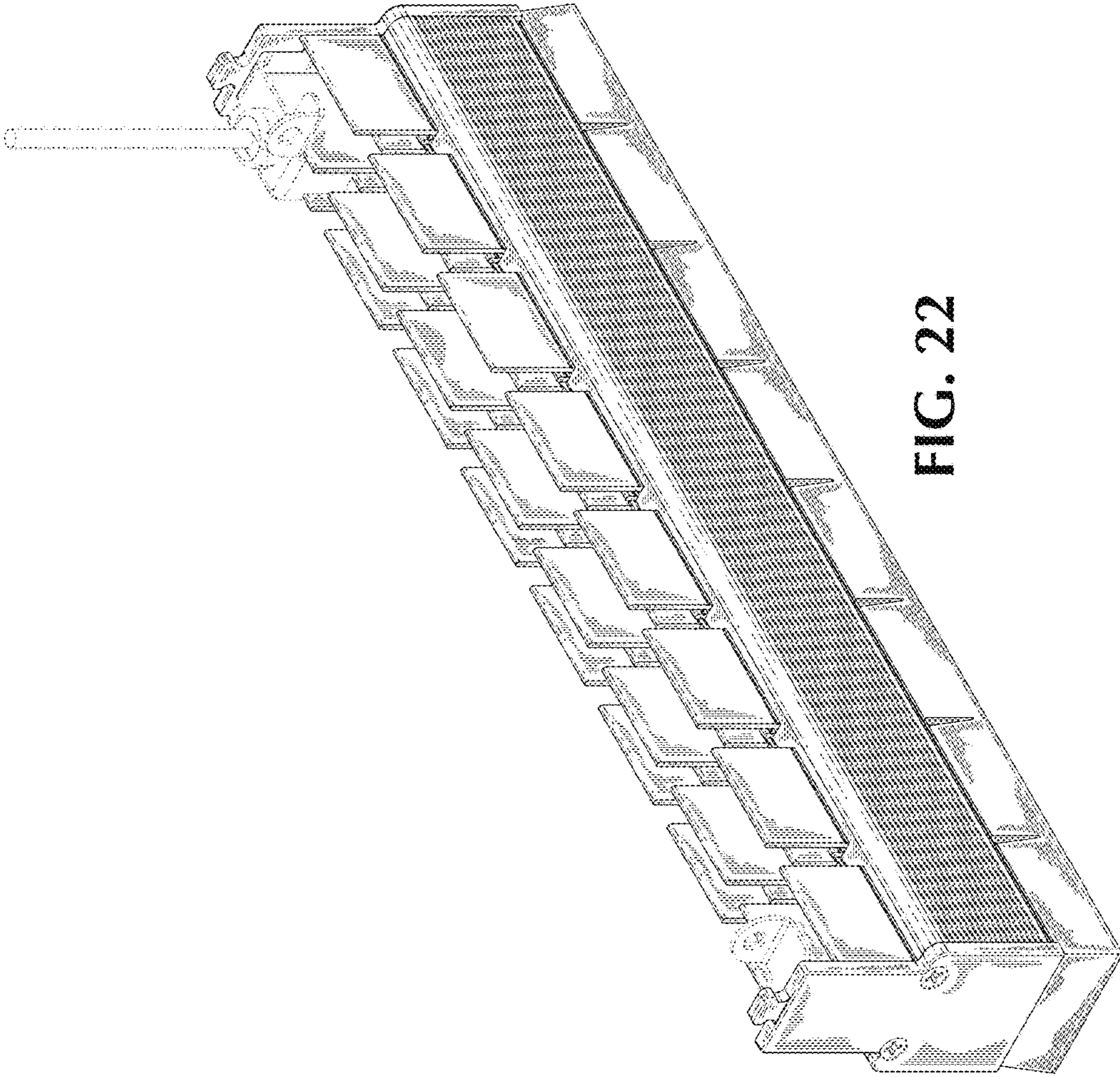


FIG. 22

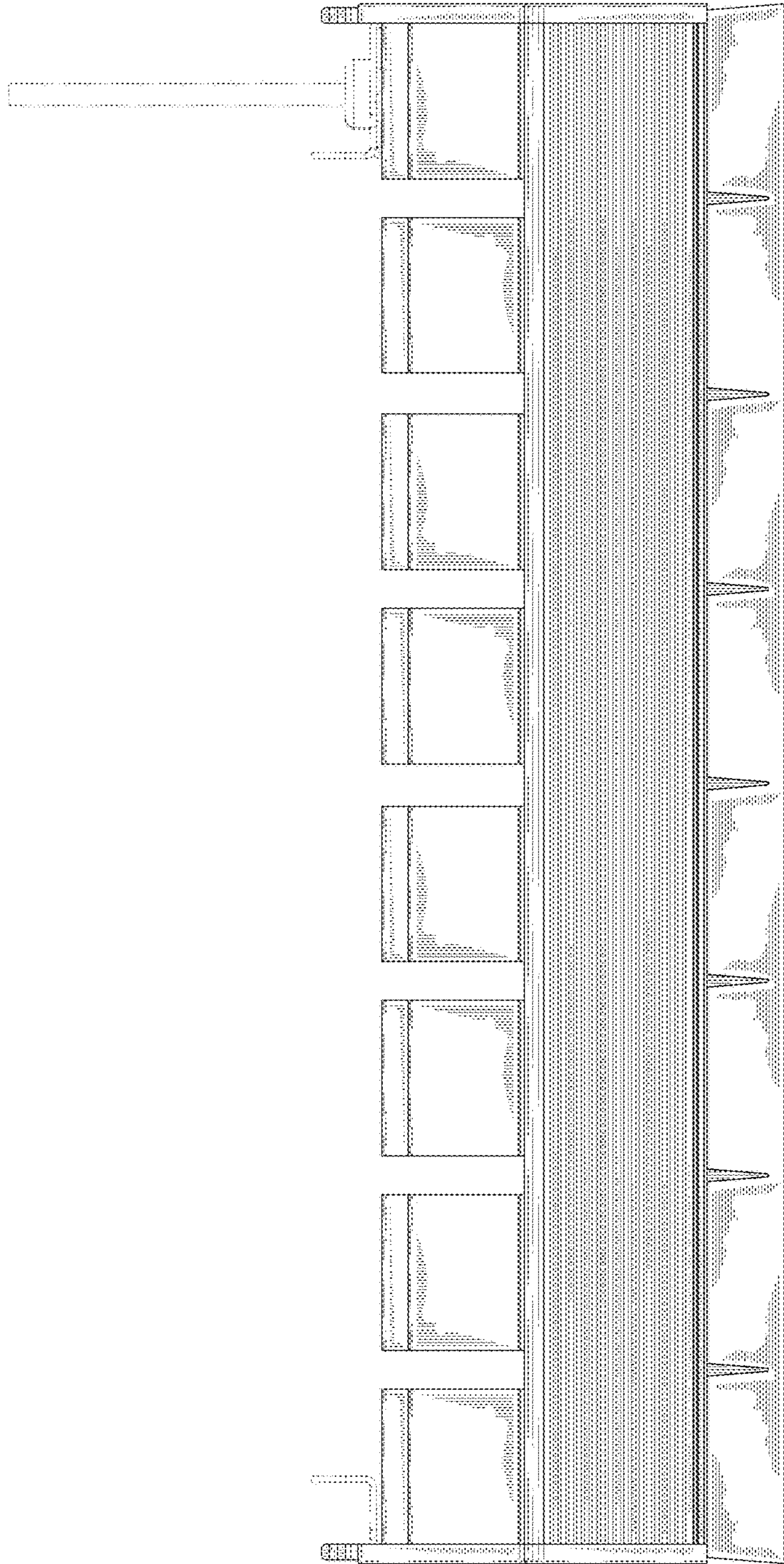


FIG. 23

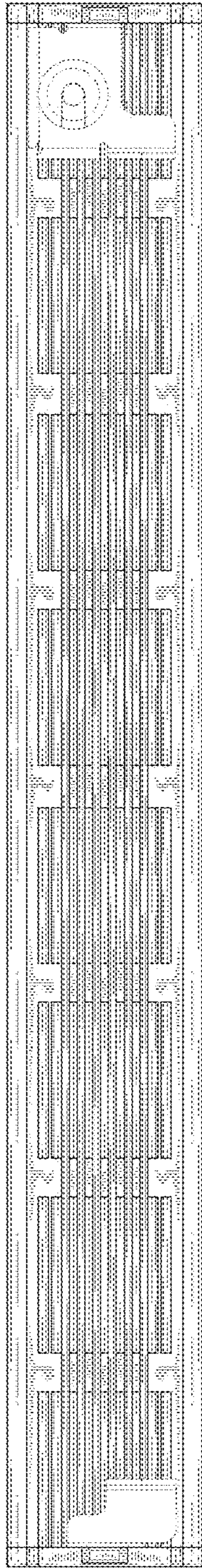


FIG. 24

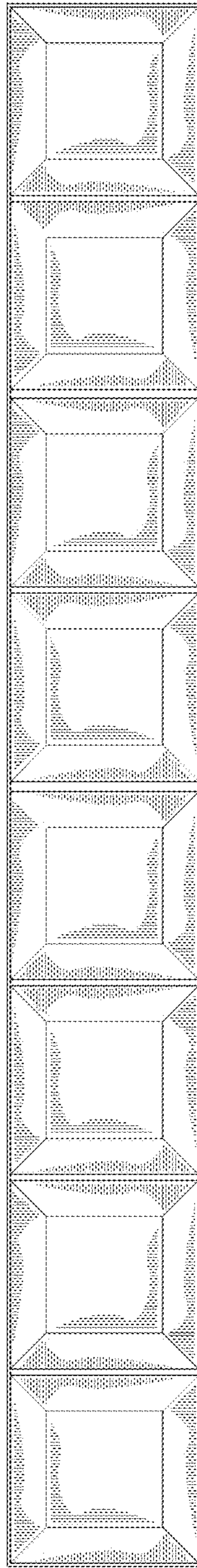


FIG. 26

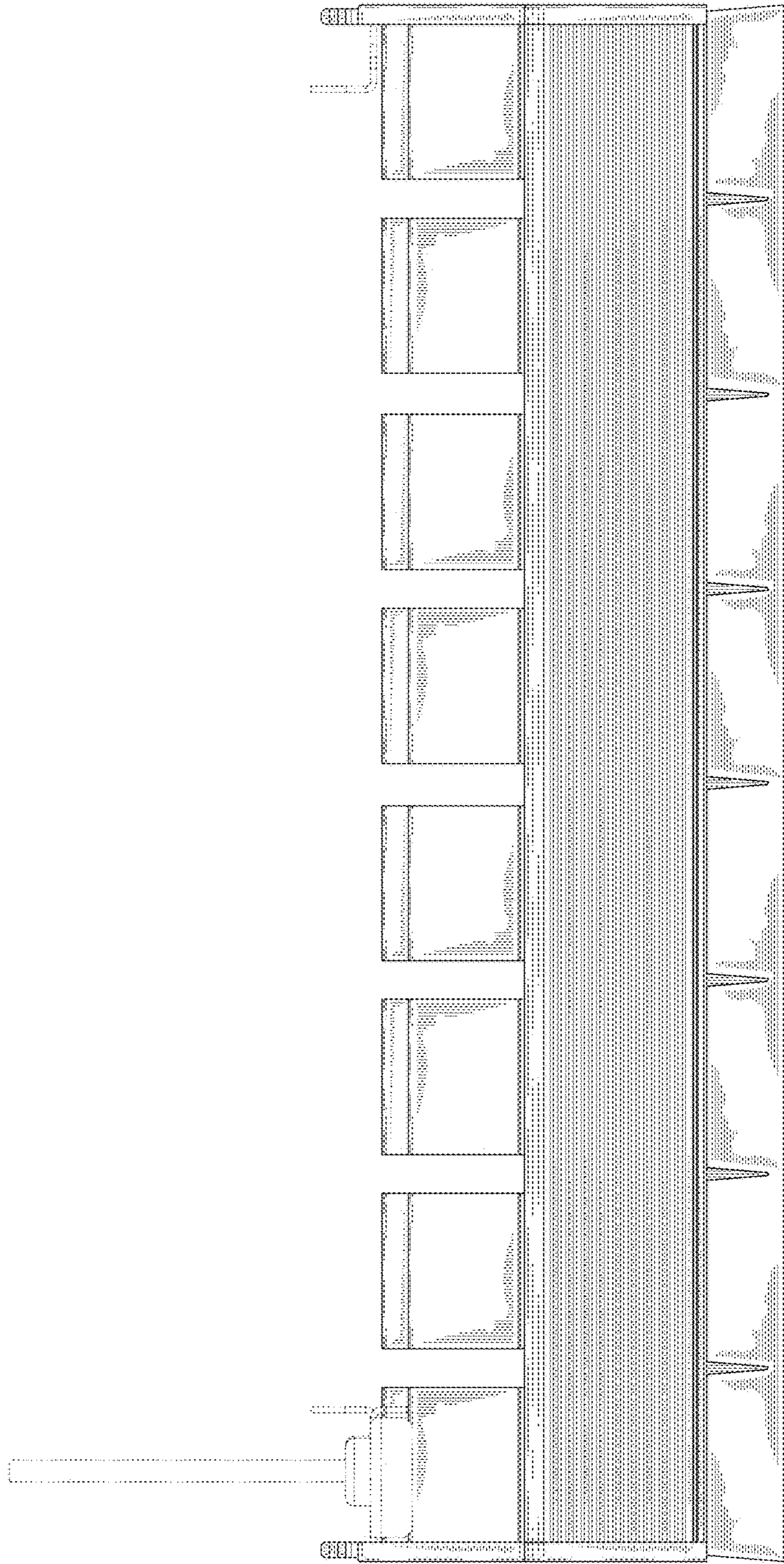


FIG. 25

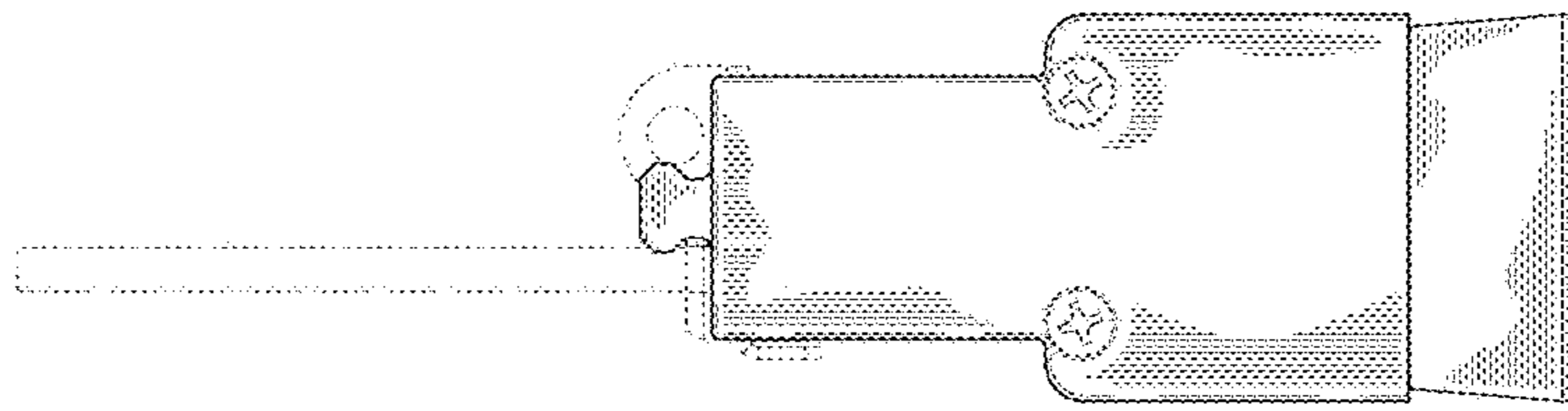


FIG. 28

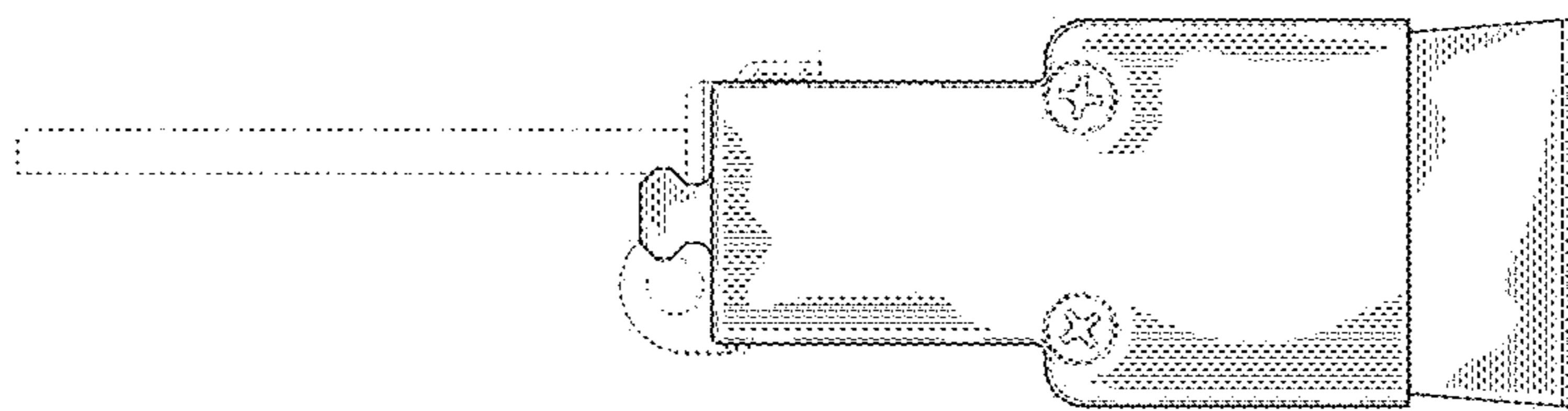


FIG. 27

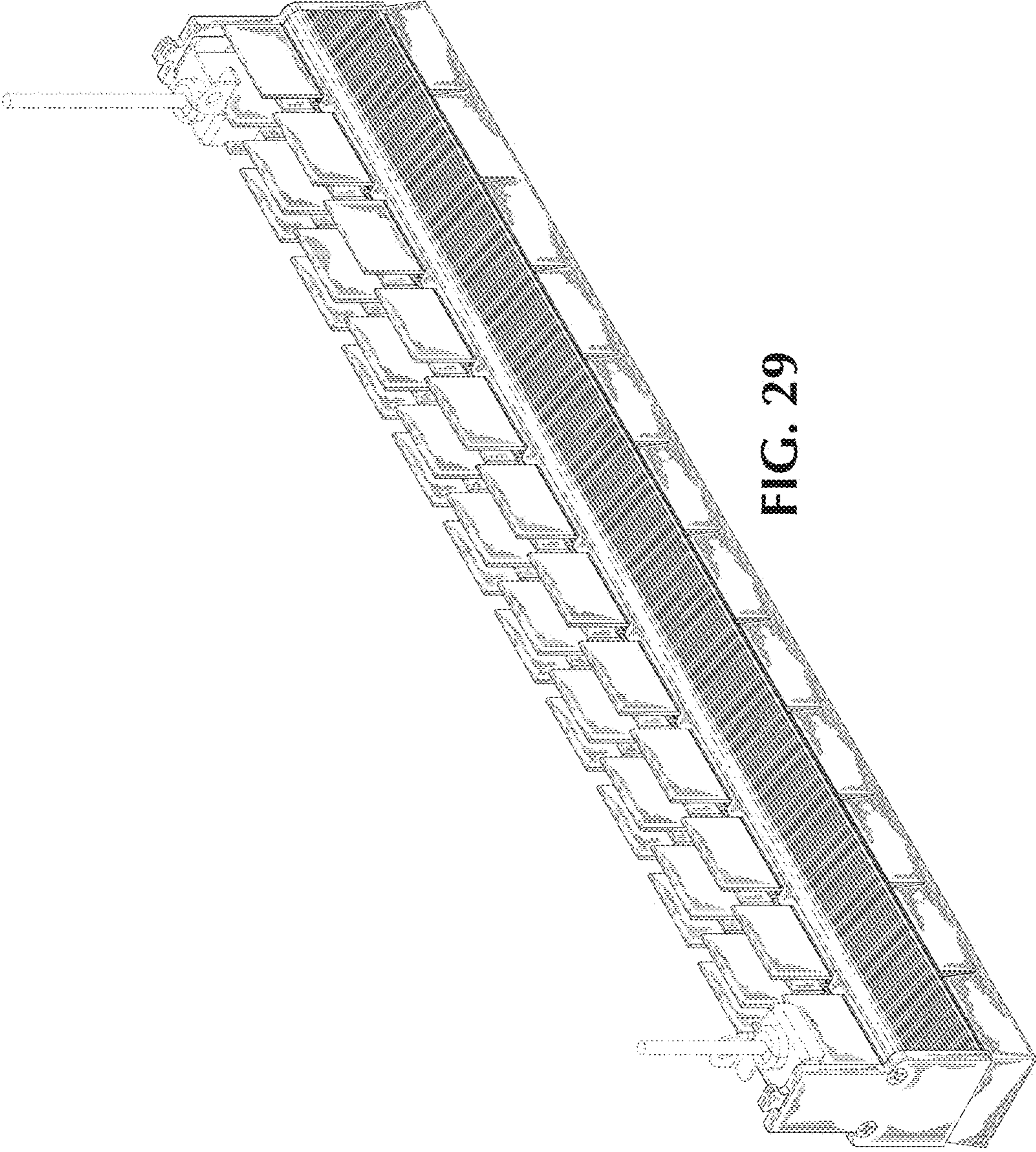


FIG. 29

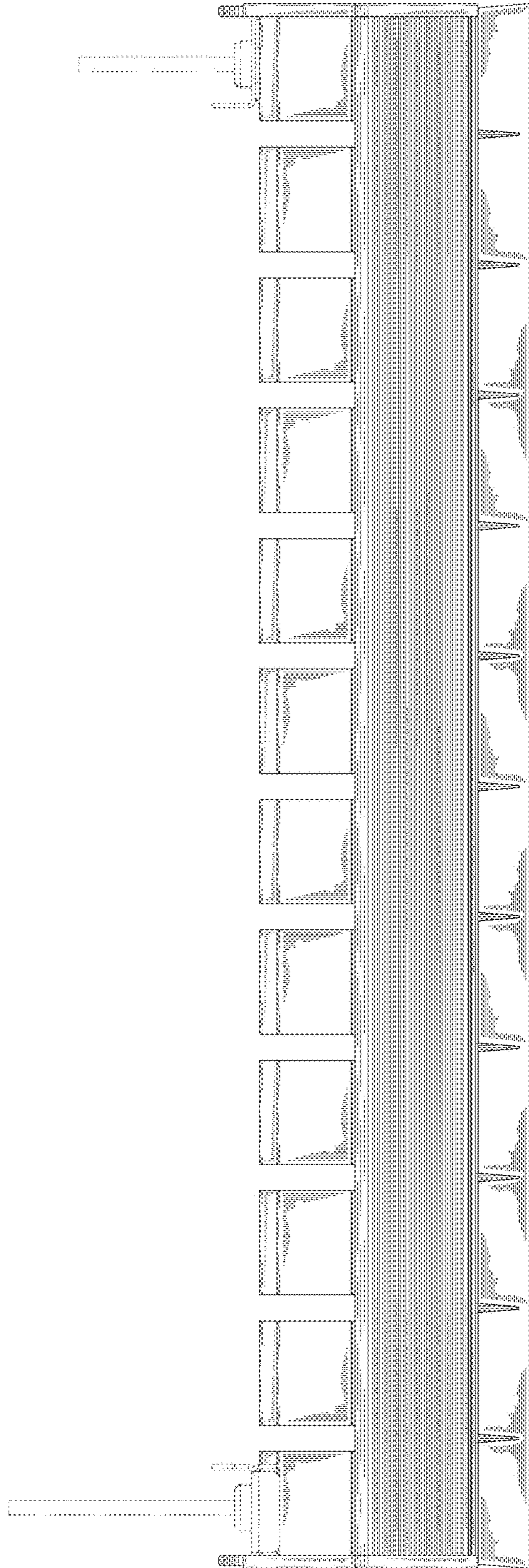


FIG. 30

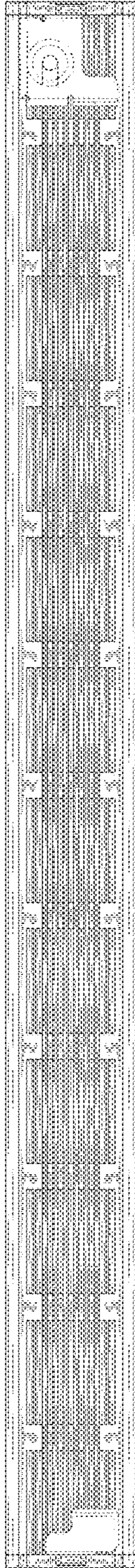


FIG. 31

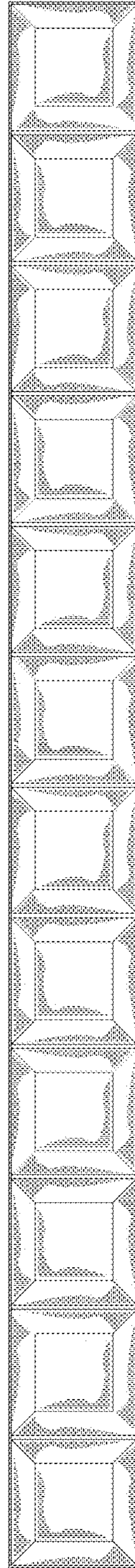


FIG. 33

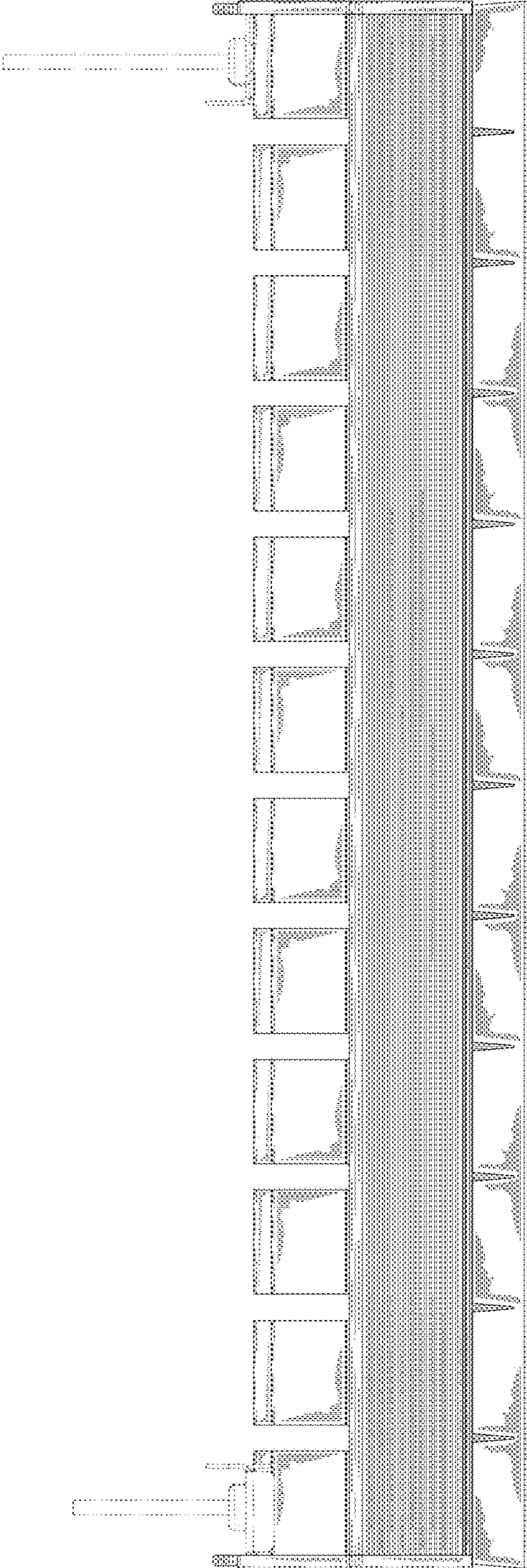


FIG. 32

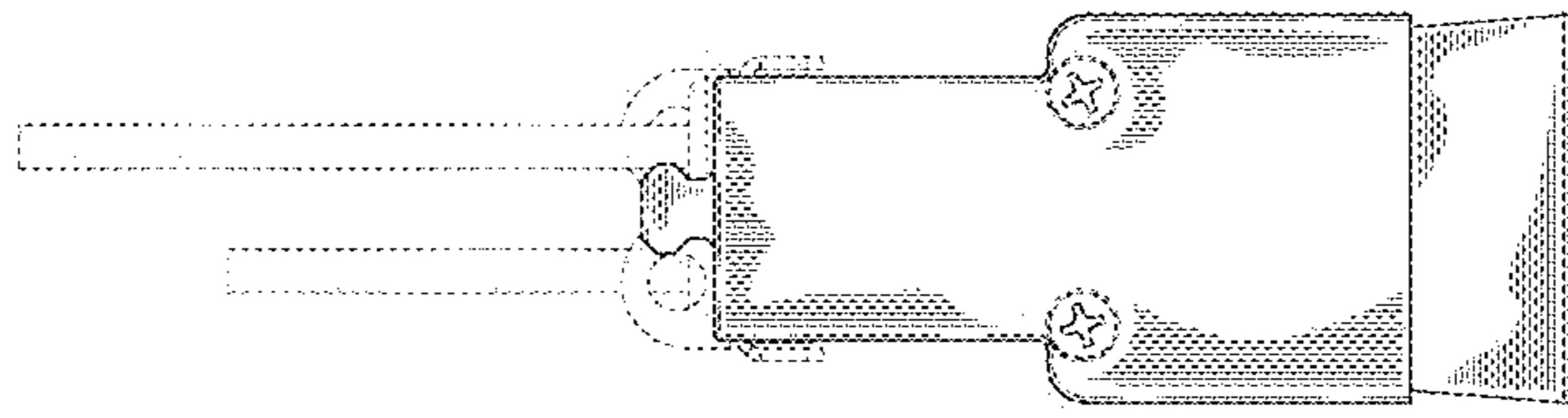


FIG. 35

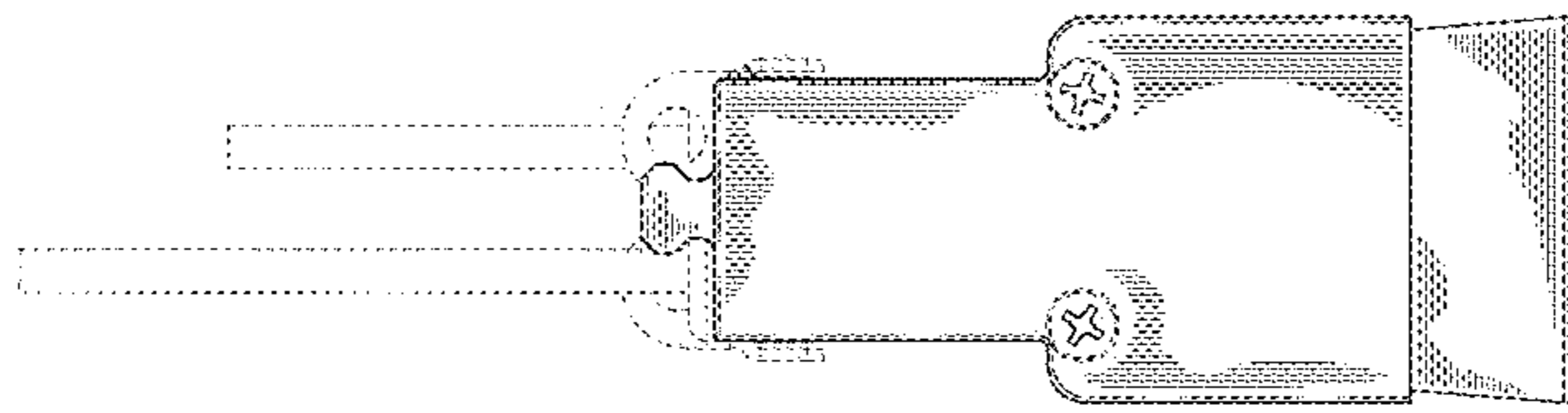


FIG. 34