



US00D835320S

(12) **United States Design Patent**
Guercio et al.

(10) **Patent No.:** **US D835,320 S**

(45) **Date of Patent:** **** Dec. 4, 2018**

(54) **TIERED LIGHT FIXTURE**

(71) Applicant: **RAB Lighting Inc.**, Northvale, NJ (US)

(72) Inventors: **Vincenzo Guercio**, Wallkill, NY (US);
Wengang Gao, Ningbo (CN)

(73) Assignee: **RAB Lighting Inc.**, Northvale, NJ (US)

(**) Term: **15 Years**

(21) Appl. No.: **29/593,499**

(22) Filed: **Feb. 9, 2017**

(51) **LOC (11) Cl.** **26-05**

(52) **U.S. Cl.**
USPC **D26/67**

(58) **Field of Classification Search**

USPC D10/111-115; D26/7, 8, 10, 11, 12, 14,
D26/19, 60, 61, 63-69, 71, 92, 93;
D13/102

CPC F21S 8/081; F21S 8/08; F21S 6/00
See application file for complete search history.

(56) **References Cited**

U.S. PATENT DOCUMENTS

D191,128 S	8/1961	Curtin et al.	
D330,778 S *	11/1992	Hall	D26/68
5,398,180 A *	3/1995	Lee	F21S 8/081 362/152
D377,228 S *	1/1997	Shalvi	D26/68
D406,374 S *	3/1999	Porter	D26/68
D411,895 S *	7/1999	Houston	D26/68
D411,896 S	7/1999	Houston	
D471,662 S *	3/2003	Sooferian	D26/67
D494,698 S *	8/2004	Hon	D26/67
7,387,409 B1 *	6/2008	Beadle	F21S 8/081 362/153
D583,494 S	12/2008	Friedman et al.	
D592,343 S	5/2009	Wilcox et al.	
D652,976 S	1/2012	Soto et al.	
D654,609 S *	2/2012	Chen	D26/68
D654,611 S *	2/2012	Chen	D26/68

(Continued)

OTHER PUBLICATIONS

LL2LED6LVYYA (available online) Retrieved from the internet
Jun. 25, 2018 from URL: <https://www.rabweb.com/product.php?product=LL2LED6LVYYA>.*

(Continued)

Primary Examiner — Kevin K Rudzinski

Assistant Examiner — Richard Kearney

(74) *Attorney, Agent, or Firm* — SmithAmundsen LLC;
Douglas G. Gallagher; Kevin C. Oschman

(57) **CLAIM**

The ornamental design for a tiered light fixture, substantially
as shown and described.

DESCRIPTION

FIG. 1 is a bottom-side perspective view of a first embodi-
ment of the new design;

FIG. 2 is a side view of the first embodiment;

FIG. 3 is a top view of the first embodiment;

FIG. 4 is a bottom view of the first embodiment;

FIG. 5 is a top-side perspective view of the first embodi-
ment;

FIG. 6 is a bottom-side perspective view of a second
embodiment of the new design;

FIG. 7 is a side view of the second embodiment;

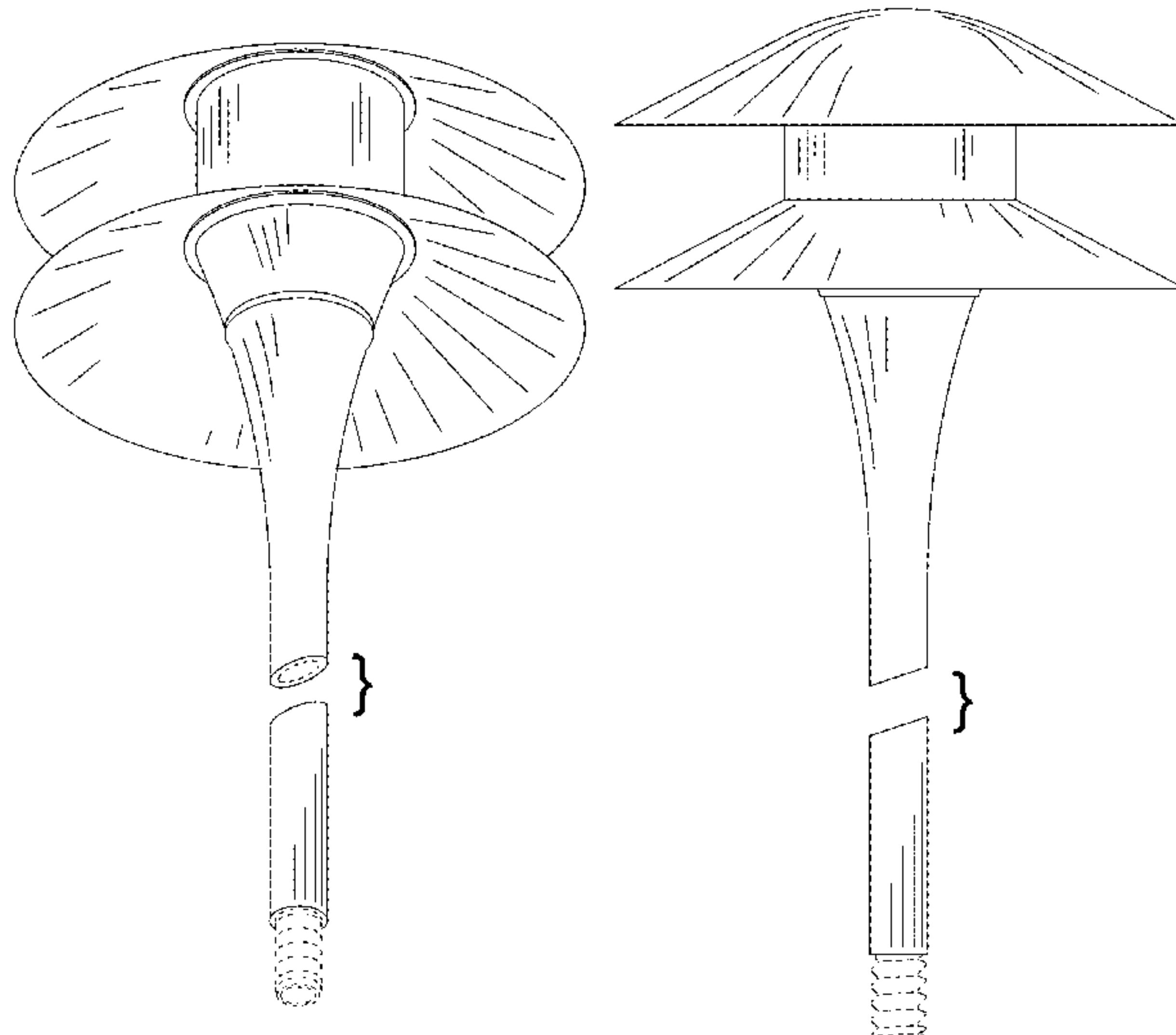
FIG. 8 is a top view of the second embodiment;

FIG. 9 is a bottom view of the second embodiment; and,

FIG. 10 is a top-side perspective view of the second embodi-
ment.

The design consists of the features of shape, ornamentation,
and configuration of the article shown in the drawings. The
broken lines shown in the drawings are for the purposes of
illustrating portions of the article that form no part of the
claimed design.

1 Claim, 8 Drawing Sheets



(56)

References Cited

U.S. PATENT DOCUMENTS

8,292,452 B2 * 10/2012 Ko F21S 8/081
 362/183
 D672,076 S 12/2012 Guercio et al.
 8,740,423 B1 * 6/2014 Jackson F21V 33/00
 362/253
 9,668,053 B1 * 5/2017 Rivera H04R 3/12

OTHER PUBLICATIONS

Prime Lite Mfg, Bollards by Prime Lite MFG, Catalog No. 5987; Freeport, NY.
 RAB Manufacturing Co., Inc.; Garden King Light; Catalog 62; 1962; New York, NY.
 RAB Electric Mfg. Co.; LL Series Four Tier Lawn Light; 1967; New York, NY.
 RAB Electric Manufacturing, Inc.; 1995 Outdoor Lighting Catalog; Northvale, NJ.

Cast Lighting LLC; Cast Small Canopy Mount Mushroom Area/Path Light (CMU13CB), Cast Small Canopy Mount Mushroom Area/Path Light; Product page; Jul. 2016.

Cast Lighting LLC; Cast Small Mushroom Path Light (CMU1CB), Cast Classic Small Mushroom Area/Path Light-Glare Free Illumination; Product page; Jul. 2016.

Kichler; Path & Spread 1-Lt 120V; Product page; Retrieved from <http://www.kichler.com/products/product/path-light-120v-bkt-15236bkt.aspx> on Sep. 2, 2016.

Kichler; LED Tapered Column AZT; Product page; Retrieved from <http://www.kichler.com/products/product/led-tapered-column-azt-15804azt27r.aspx> on Sep. 2, 2016.

Kichler; Path & Spread 1-Lt 120V; Product page; Retrieved from <http://www.kichler.com/products/product/landscape-path-spread-azt-15211azt.aspx> on Sep. 2, 2016.

Kichler; 12V Brass 8.5" Path Light CBR; Product page; Retrieved from <http://www.kichler.com/products/product/12v-brass-85-path-light-cbr-15480cbr.aspx> on Sep. 2, 2016.

Kichler; Round Tiered 2700K LED Path Light AGZ; Product page; Retrieved from <http://www.kichler.com/products/product/round-tiered-2700k-led-path-light-agz-16124agz2> . . . on Sep. 2, 2016.

* cited by examiner

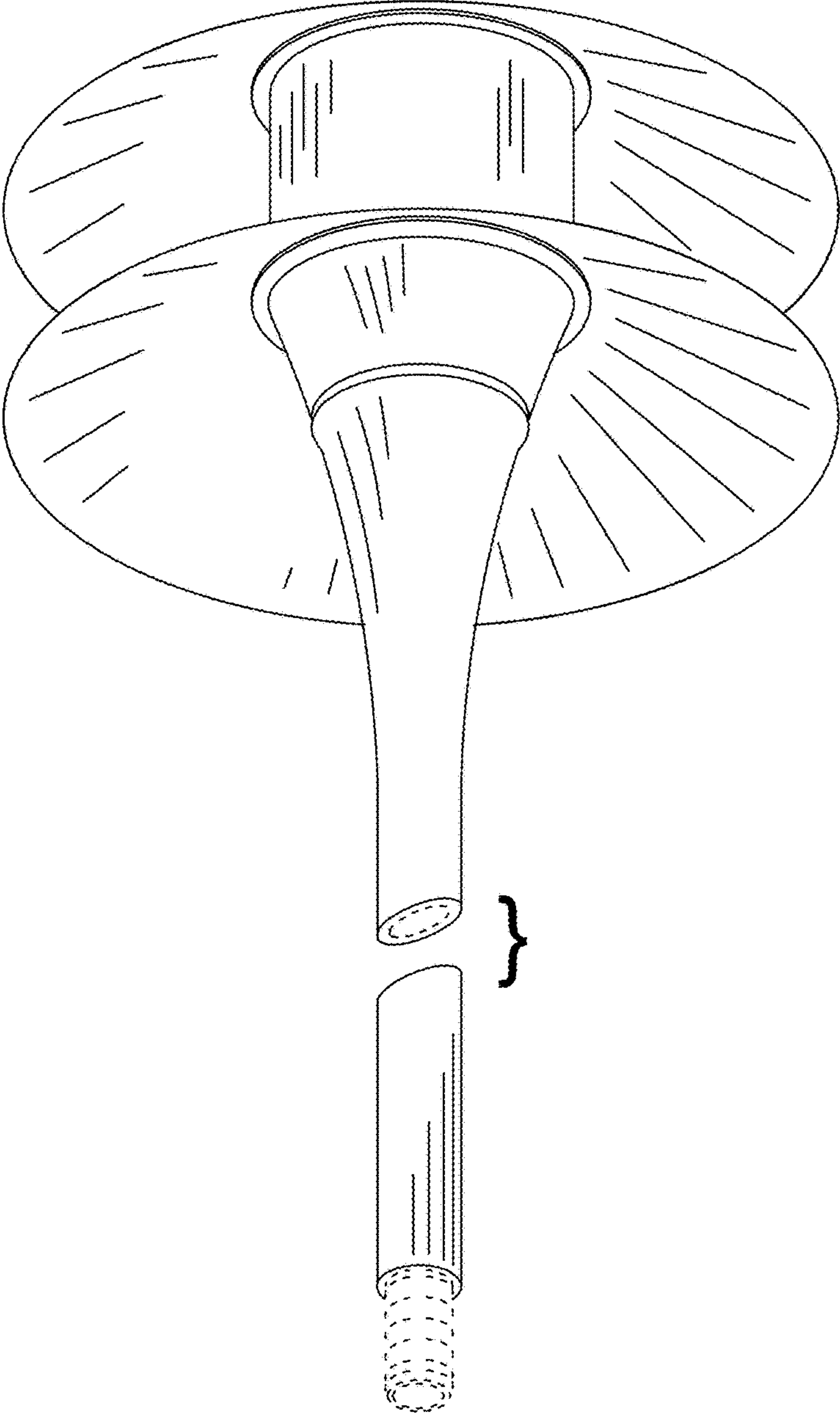


FIG. 1

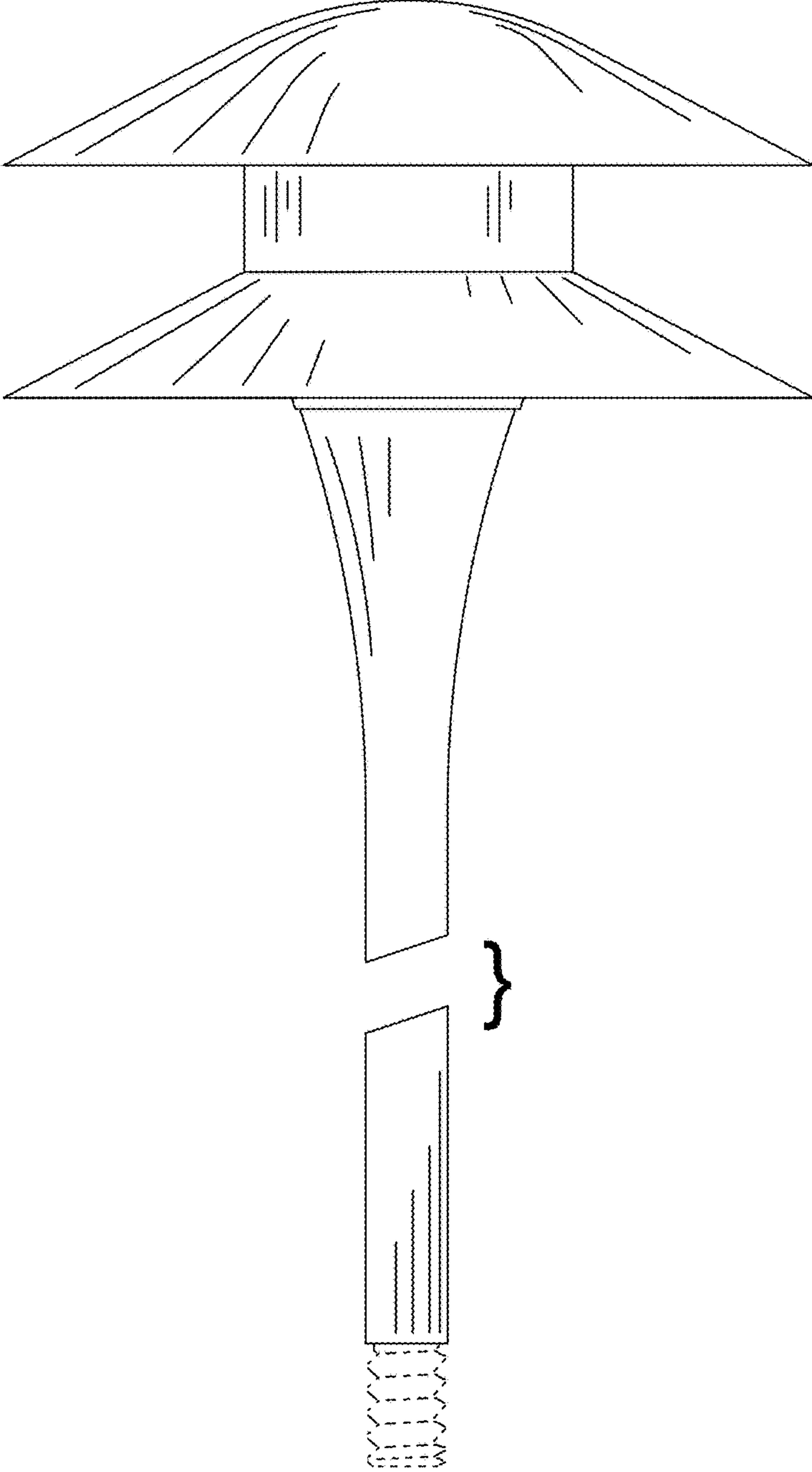


FIG. 2

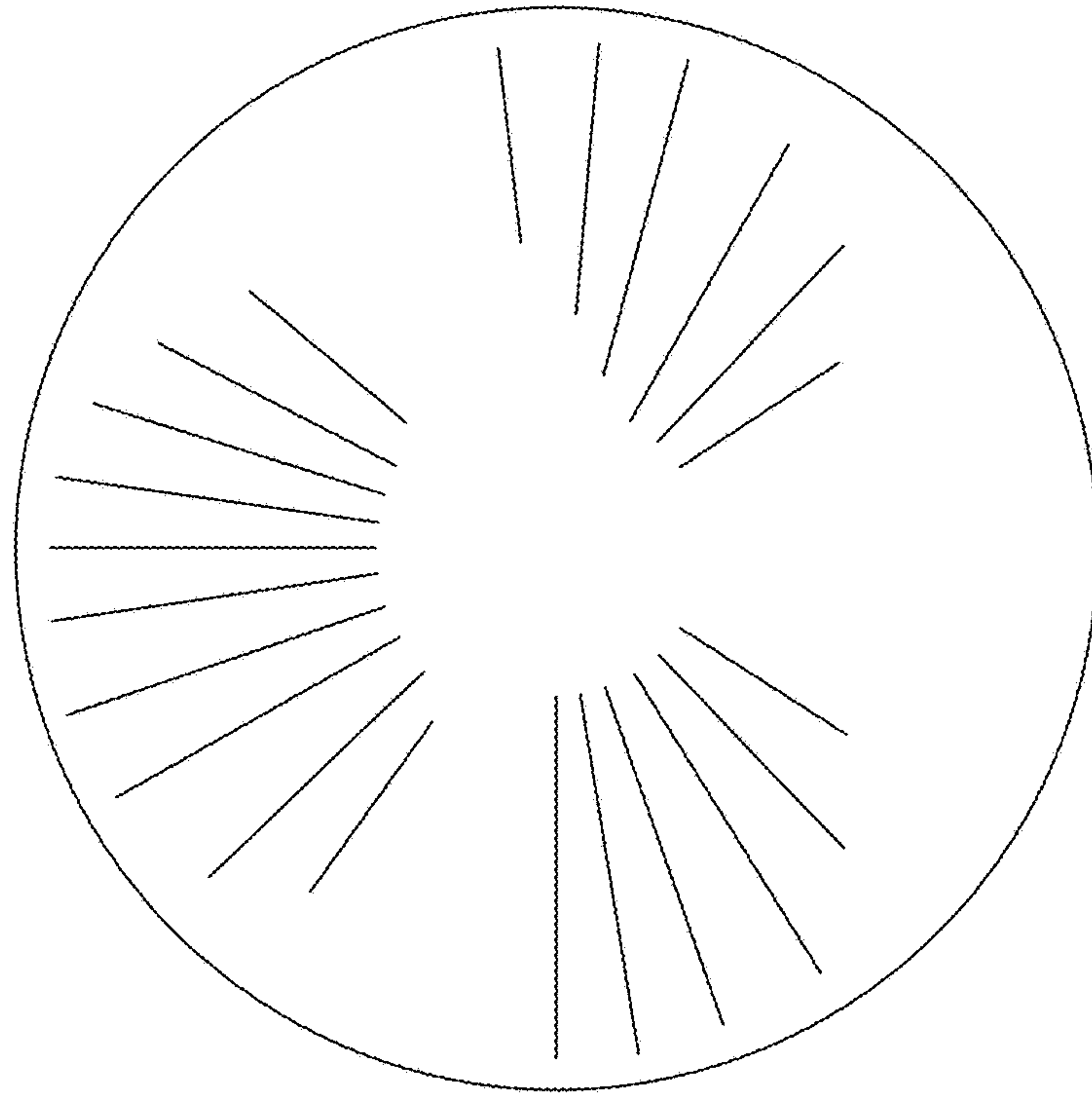


FIG. 3

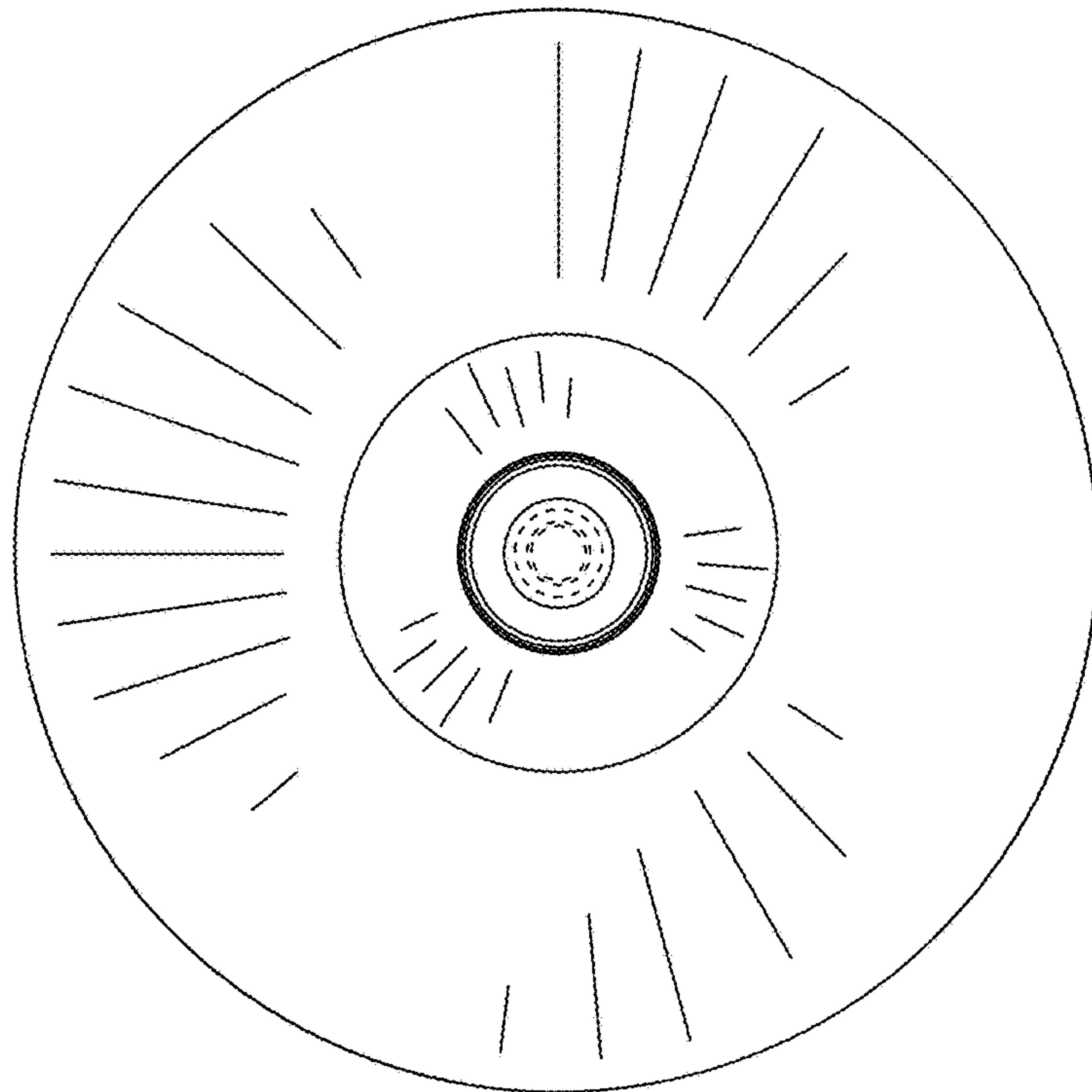


FIG. 4

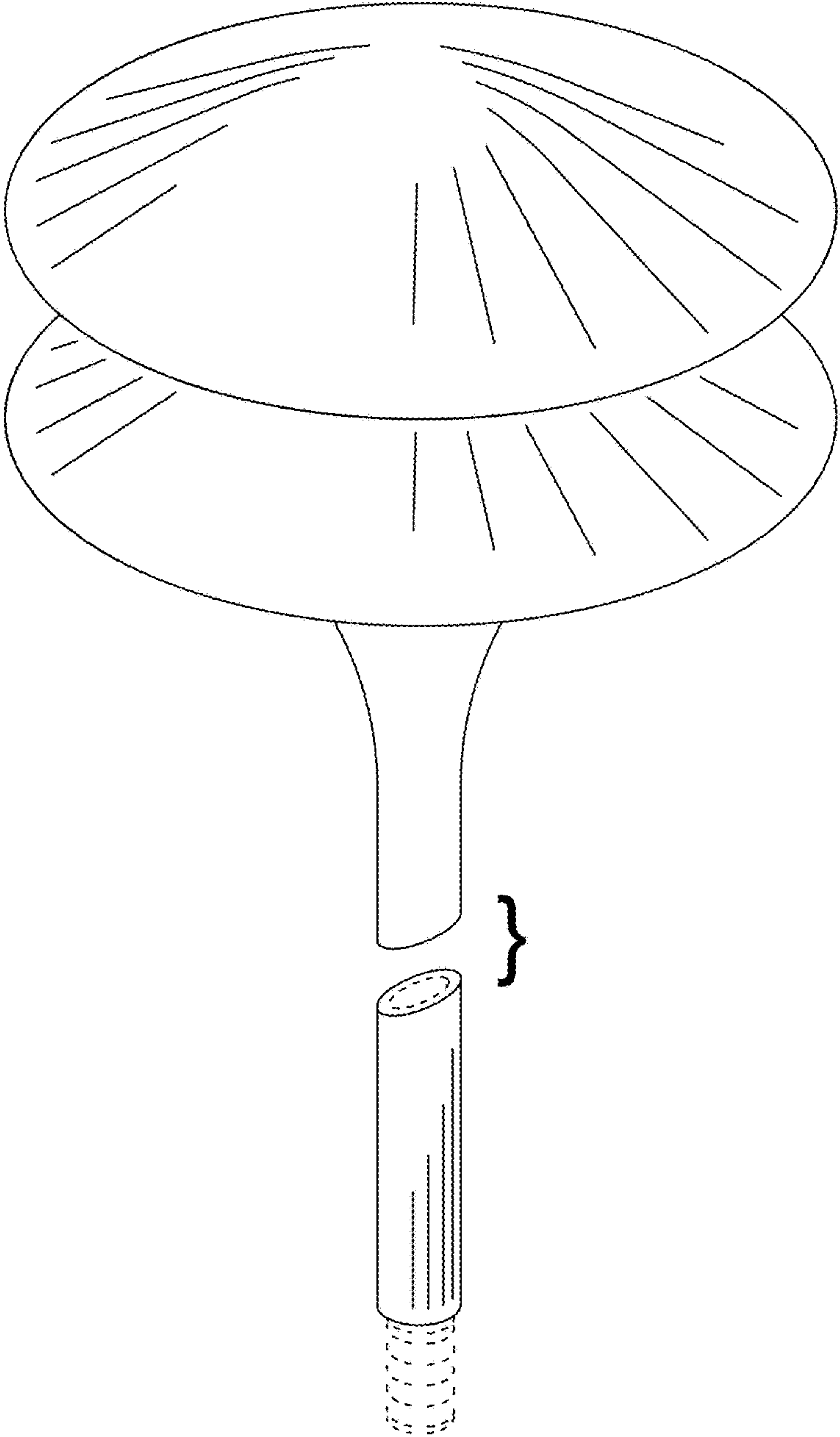


FIG. 5

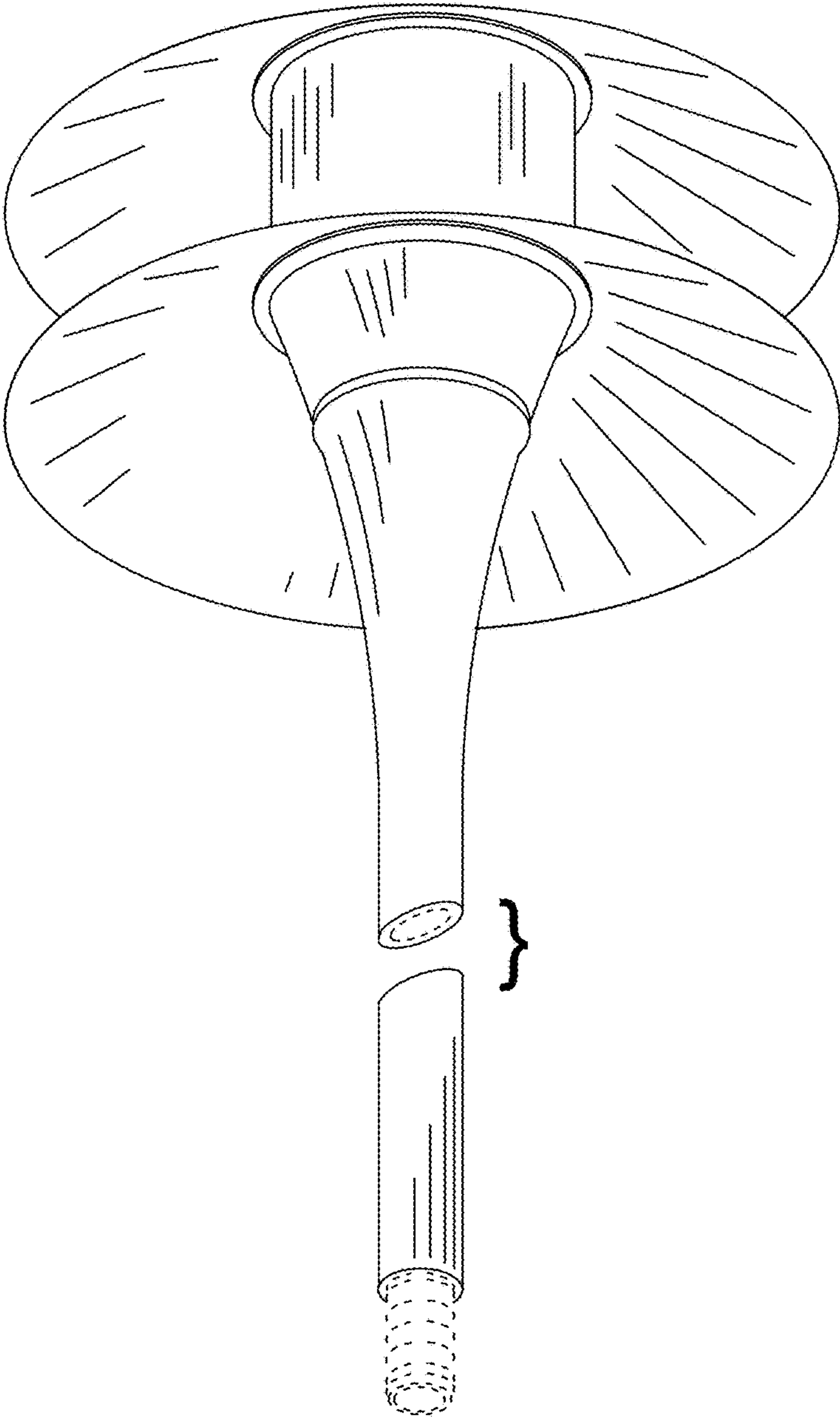


FIG. 6

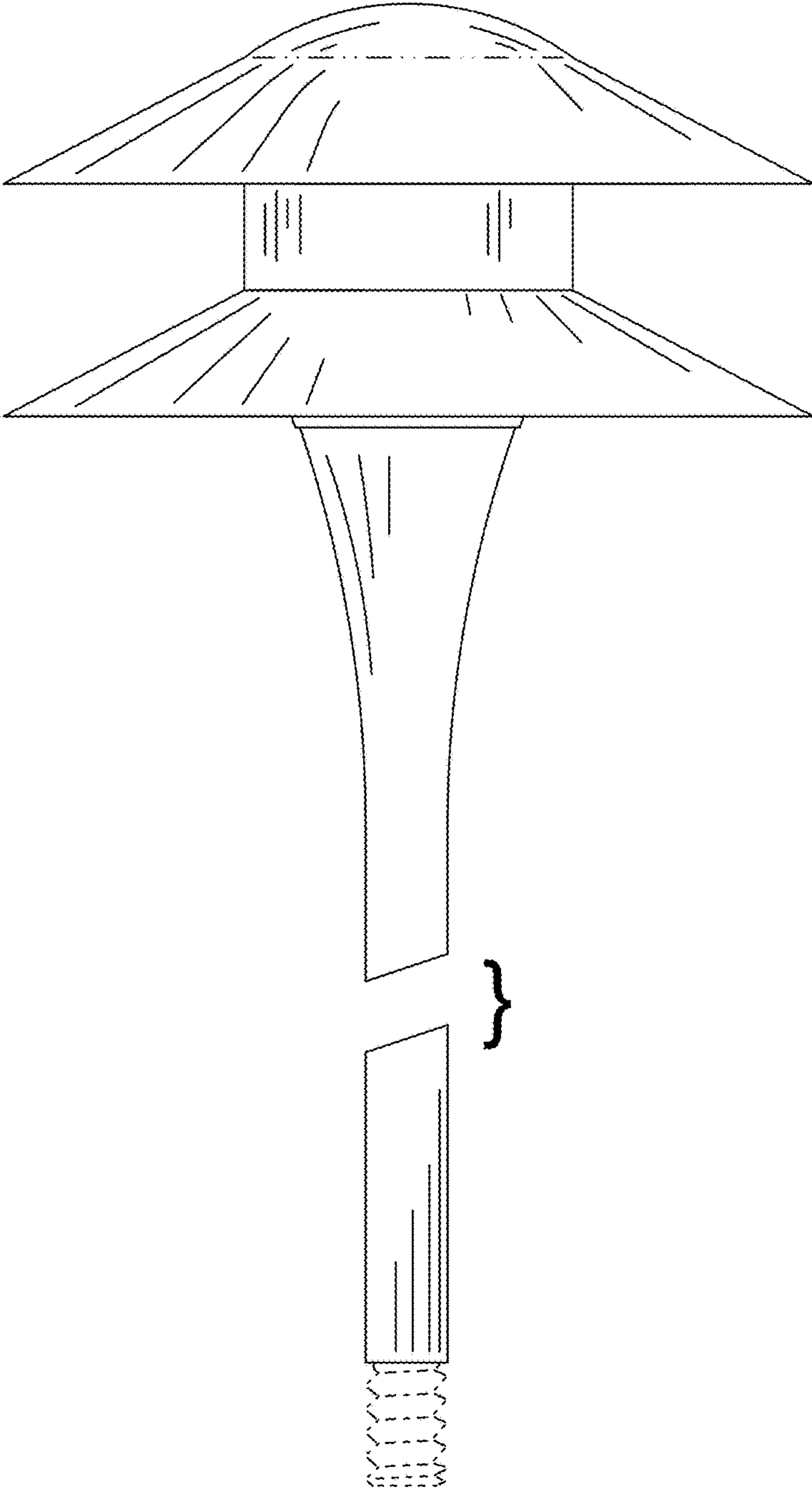


FIG. 7

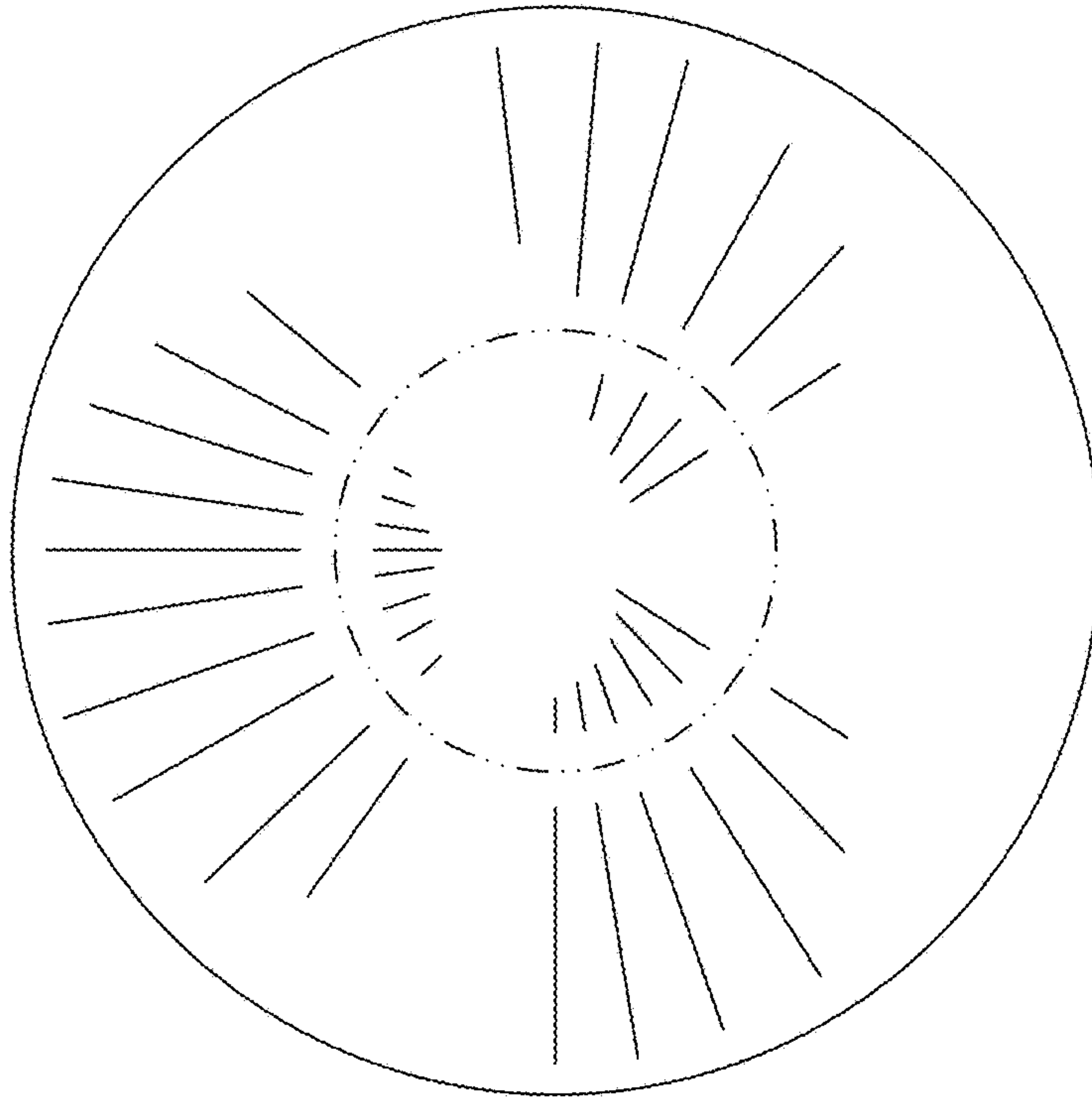


FIG. 8

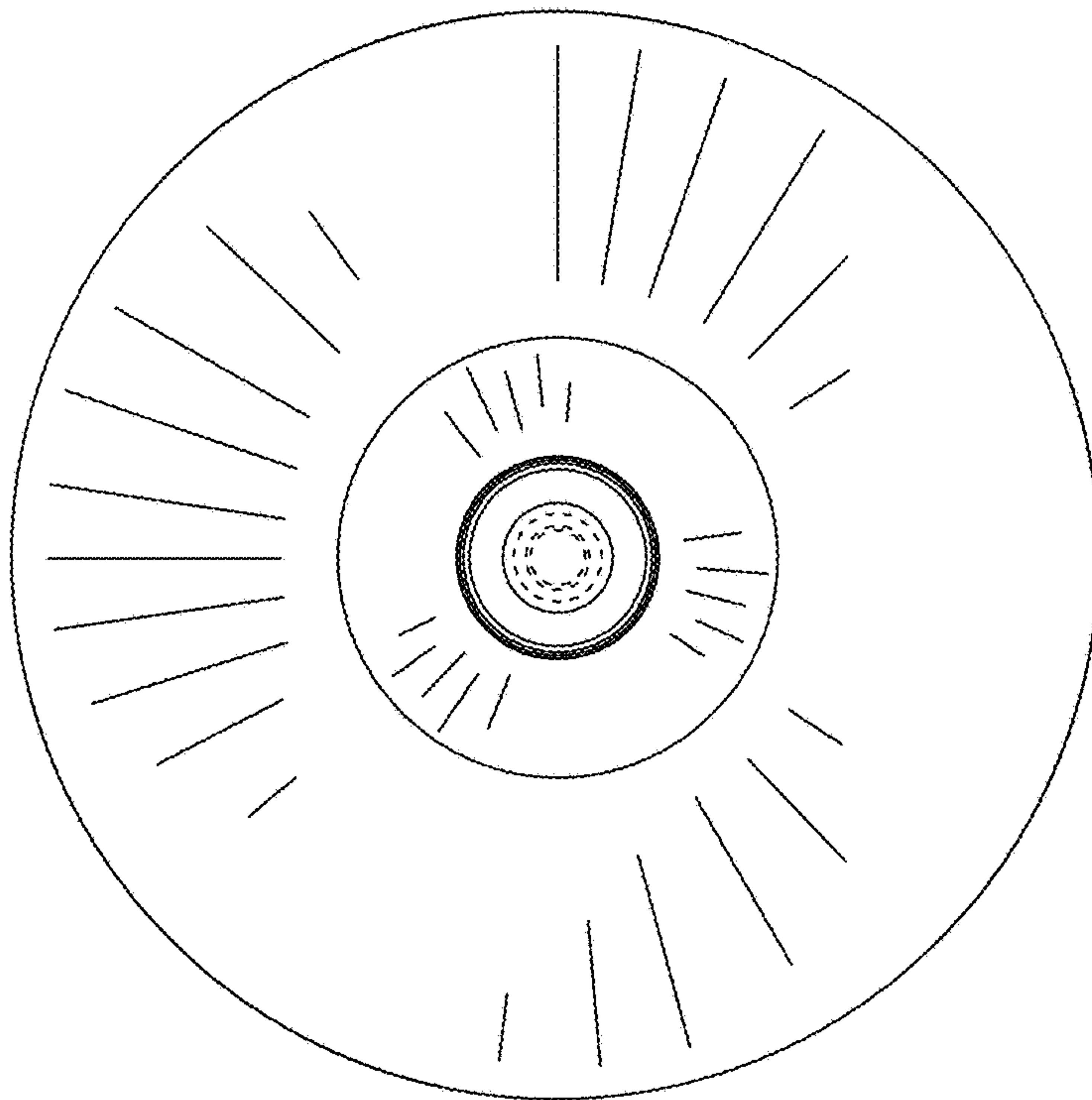


FIG. 9

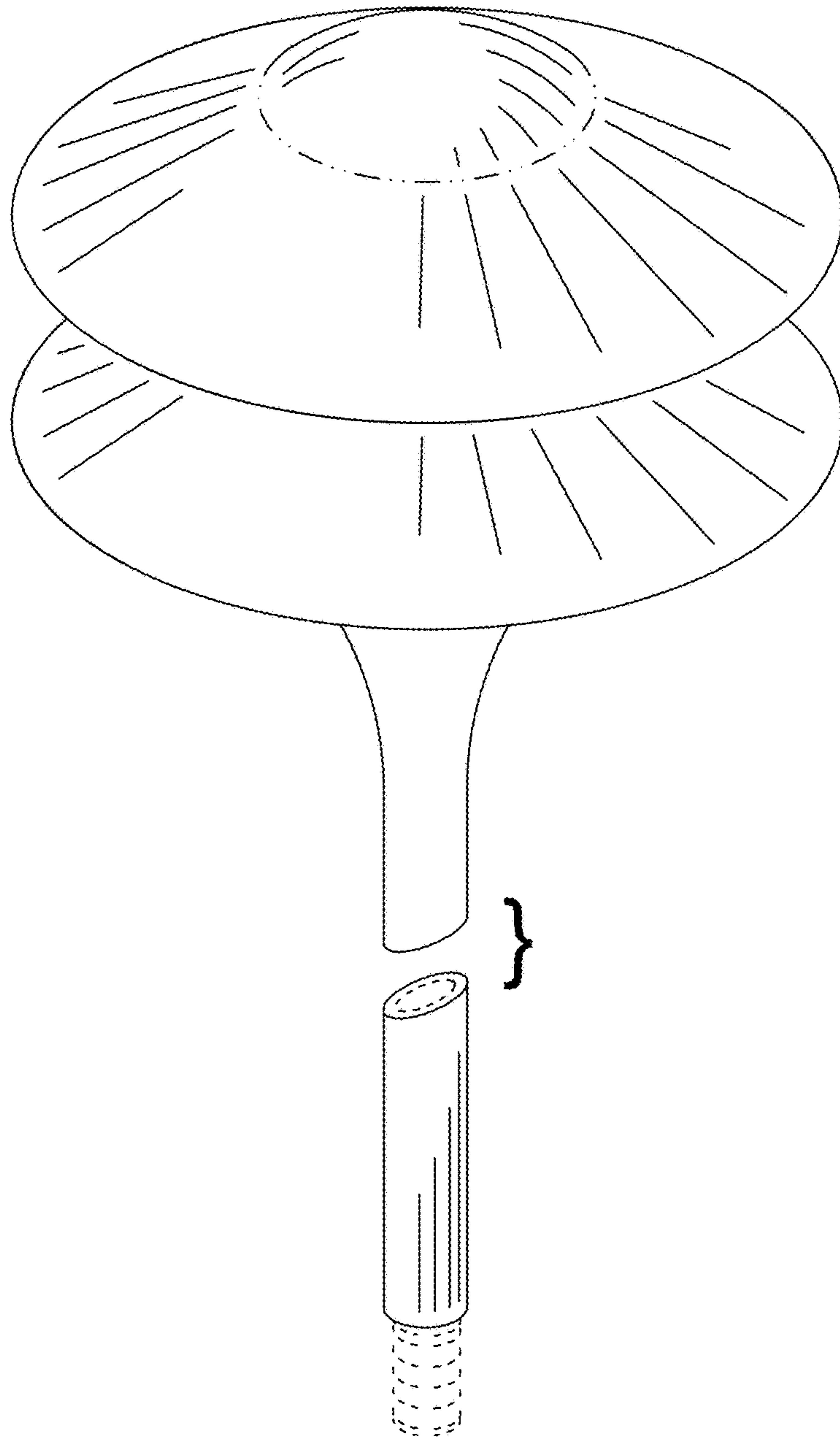


FIG. 10