



US00D835319S

(12) **United States Design Patent** (10) **Patent No.:** **US D835,319 S**
Lüke (45) **Date of Patent:** **** Dec. 4, 2018**

(54) **LAMP**

(71) Applicant: **OASE GmbH**, Hörstel-Riesenbeck (DE)

(72) Inventor: **Wilfried Lüke**, SchloßHolte-Stukenbrock (DE)

(73) Assignee: **OASE GmbH**, Hörstel-Riesenbeck (DE)

(**) Term: **15 Years**

(21) Appl. No.: **29/565,860**

(22) Filed: **May 25, 2016**

(30) **Foreign Application Priority Data**

Nov. 30, 2015 (EM) 002882613-0001
Nov. 30, 2015 (EM) 002882613-0002

(51) **LOC (11) Cl.** **26-05**

(52) **U.S. Cl.**
USPC **D26/63**

(58) **Field of Classification Search**
USPC D13/134-136; D26/51, 60-71, 76, 78, D26/80, 85-87, 92, 145; D29/103
CPC F21S 8/036; F21S 8/038; F21S 8/43; F21S 8/81; F21S 8/83; F21S 8/85; F21S 8/86; F21S 8/88; F21S 9/03; F21S 9/035; F21S 9/037; F21S 10/063; F21S 13/10
See application file for complete search history.

(56) **References Cited**

U.S. PATENT DOCUMENTS

D345,616 S * 3/1994 Lin D26/63
D389,260 S * 1/1998 Mier-Langner D26/63
D395,140 S * 6/1998 O'Rourke D26/140
D437,439 S * 2/2001 Tang D26/63
D437,651 S * 2/2001 Tang D26/63
D437,955 S * 2/2001 Tang D26/63
D454,218 S * 3/2002 Rahn D26/62

D459,823 S * 7/2002 Kolbe D26/63
D472,337 S * 3/2003 Bernhart D26/63
D476,439 S * 6/2003 O'Rourke D26/63
D552,780 S * 10/2007 Starck D26/63
D562,486 S * 2/2008 Luke D26/61
D663,877 S * 7/2012 Quevy D26/63

OTHER PUBLICATIONS

LED rund Pool Projector (available online) Retrieved from the internet Nov. 9, 2017, retrieved from the URL: <http://www.archiexpo.de/prod/simes/product-53303-1697355.html>.
Eco Aqua LED 30W—White LED (available online) Retrieved from the internet Nov. 9, 2017, retrieved from the URL: <http://www.oceanstore.fr/Eco-Aqua-LED-30W-Marine-White-14000K-Arcadia>.
9W Cree LED Landscape Spotlight (available online) Retrieved from the internet Nov. 9, 2017, retrieved from the URL: http://www.ledlightinghome.com/9w-cree-led-landscape-spotlight-ip67_p113.html.

* cited by examiner

Primary Examiner — Kevin K Rudzinski
Assistant Examiner — Richard Kearney
(74) *Attorney, Agent, or Firm* — Gudrun E. Huckett

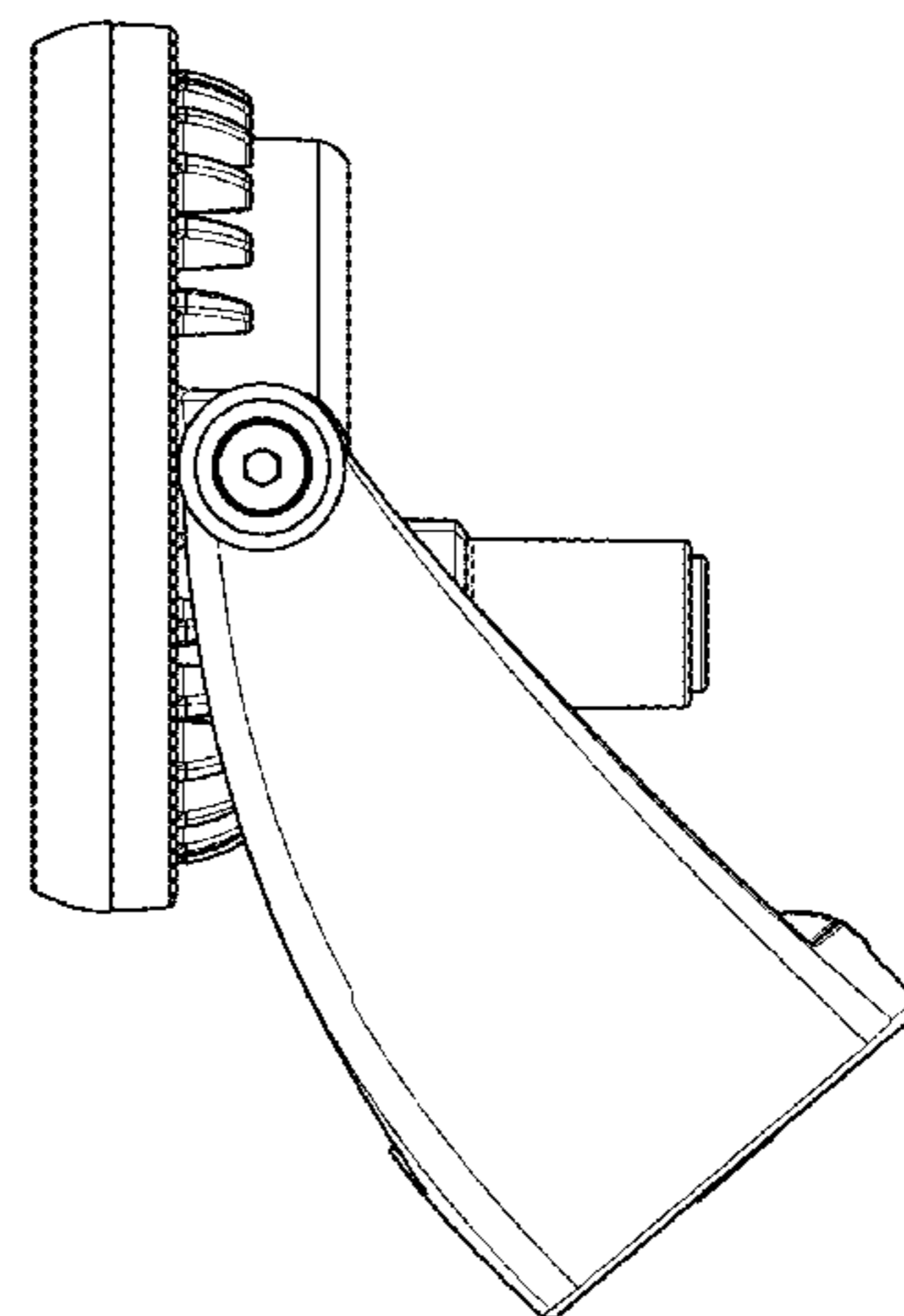
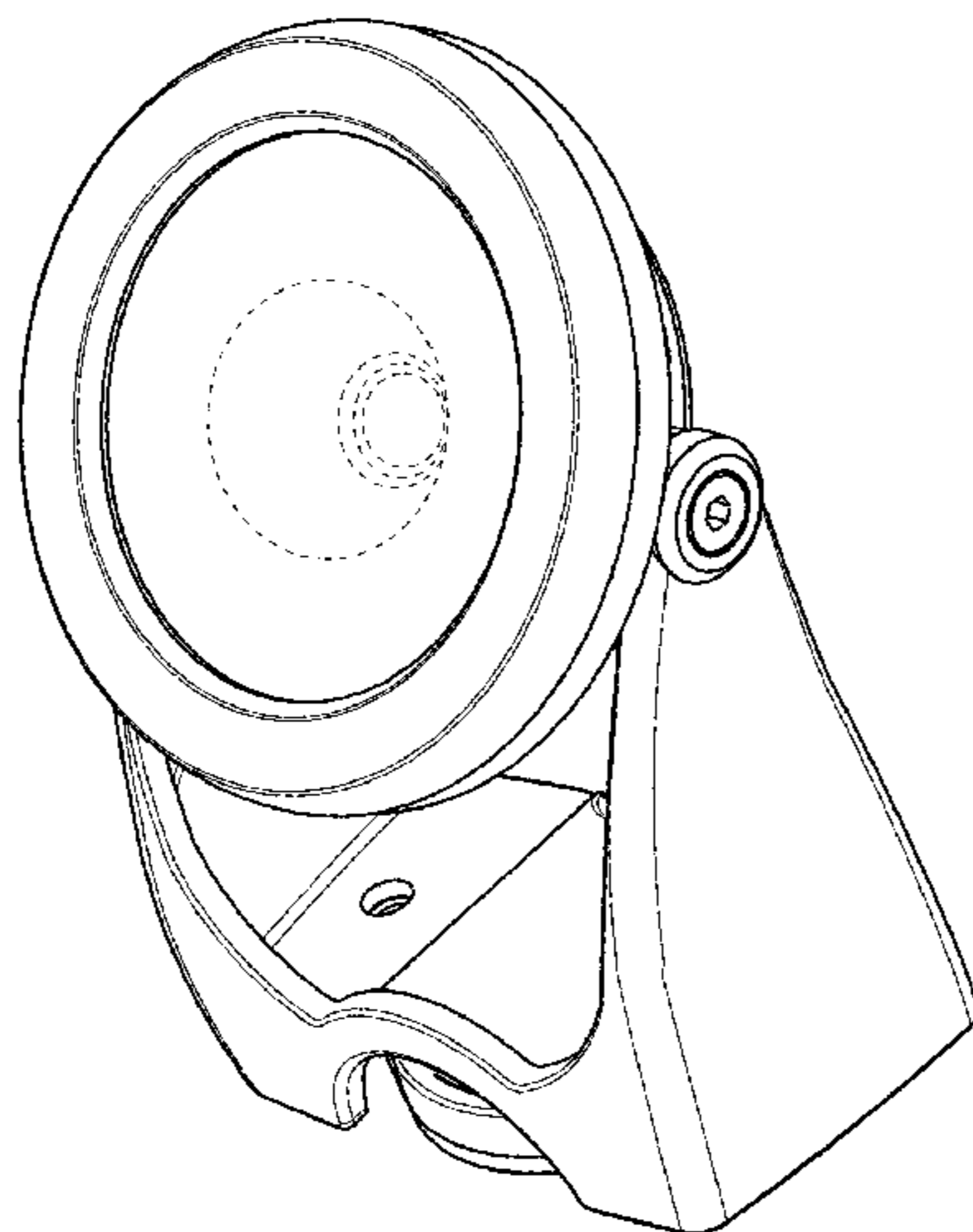
(57) **CLAIM**

The ornamental design for a lamp, as shown and described.

DESCRIPTION

FIG. 1 is a perspective front view of a lamp showing my new design;
FIG. 2 is a front elevational view thereof;
FIG. 3 is a top plan view thereof;
FIG. 4 is a bottom plan view thereof;
FIG. 5 is a rear elevational view thereof;
FIG. 6 is a left elevational view thereof; and,
FIG. 7 is a right elevational view thereof.
The broken lines are included for the purpose of illustrating portions of the lamp that form no part of the claimed design.

1 Claim, 7 Drawing Sheets



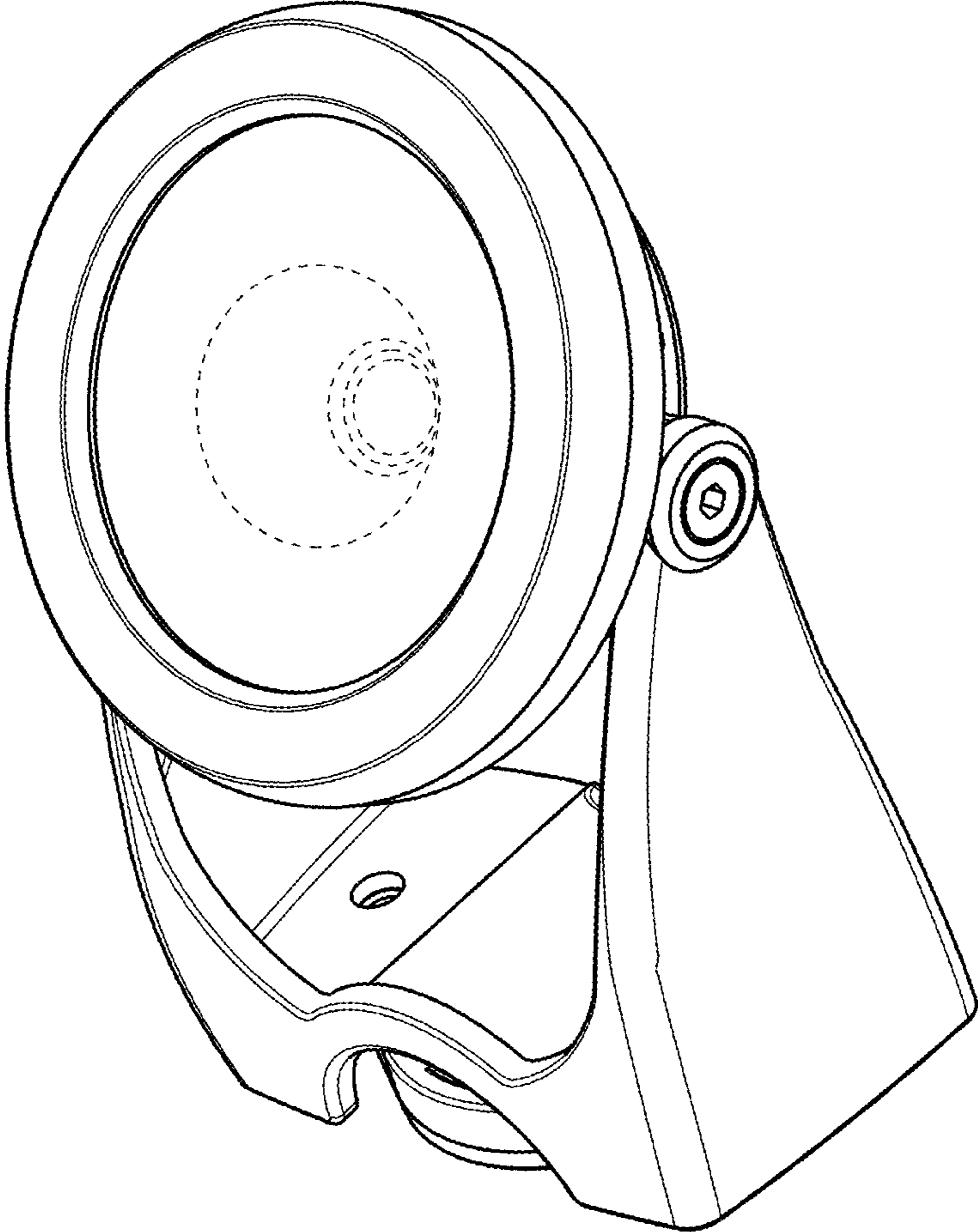


Fig. 1

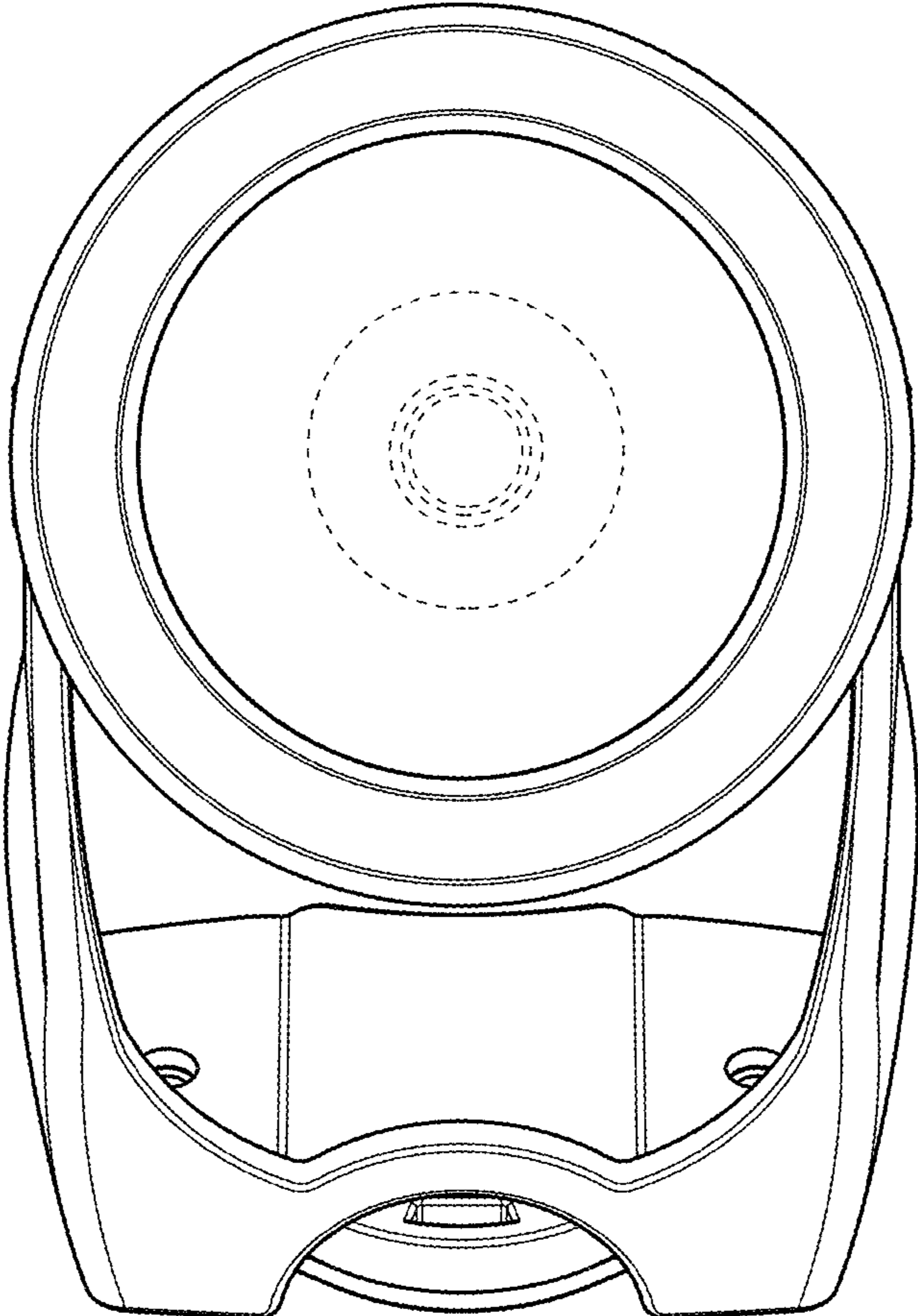


Fig. 2

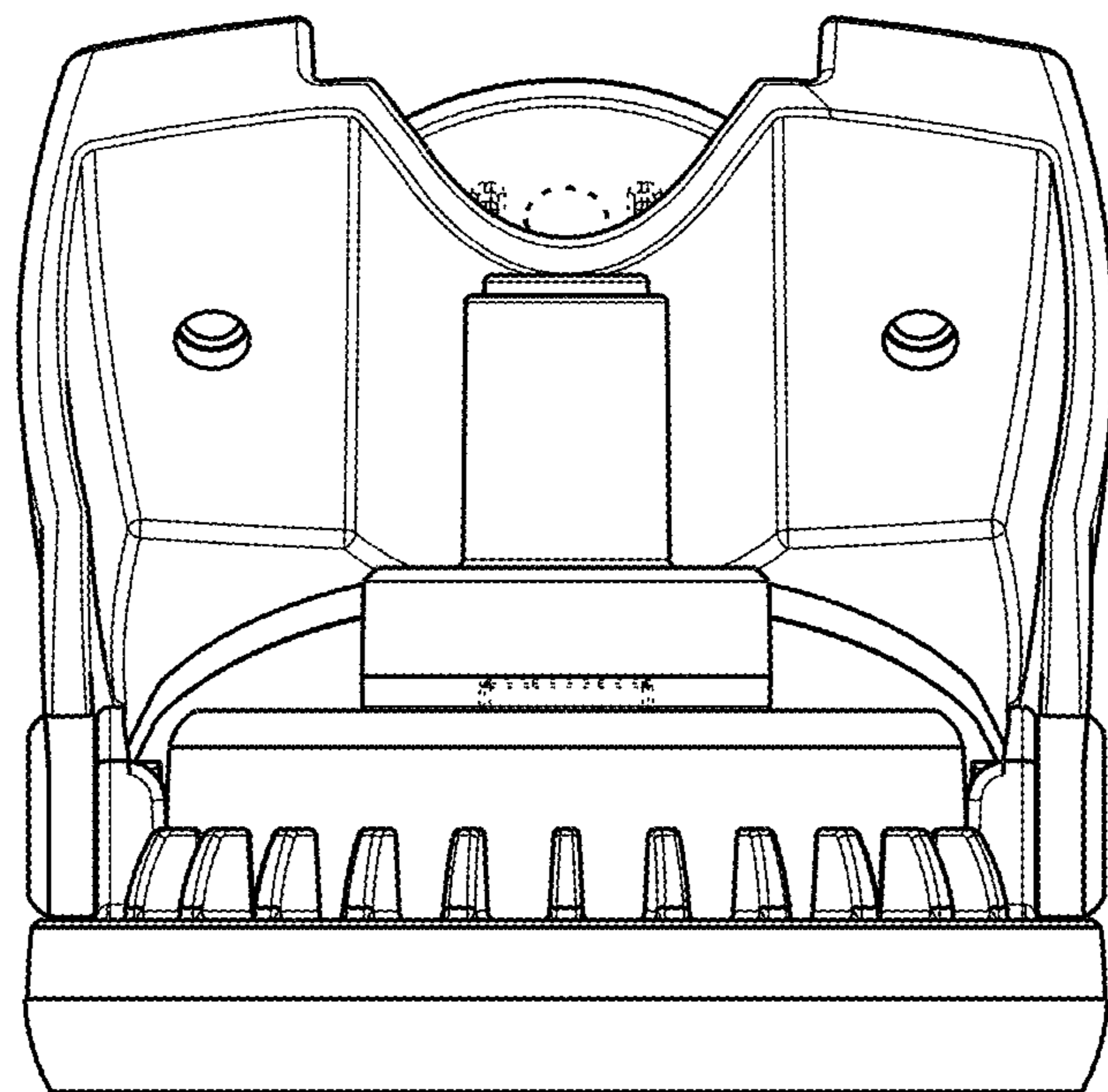


Fig. 3

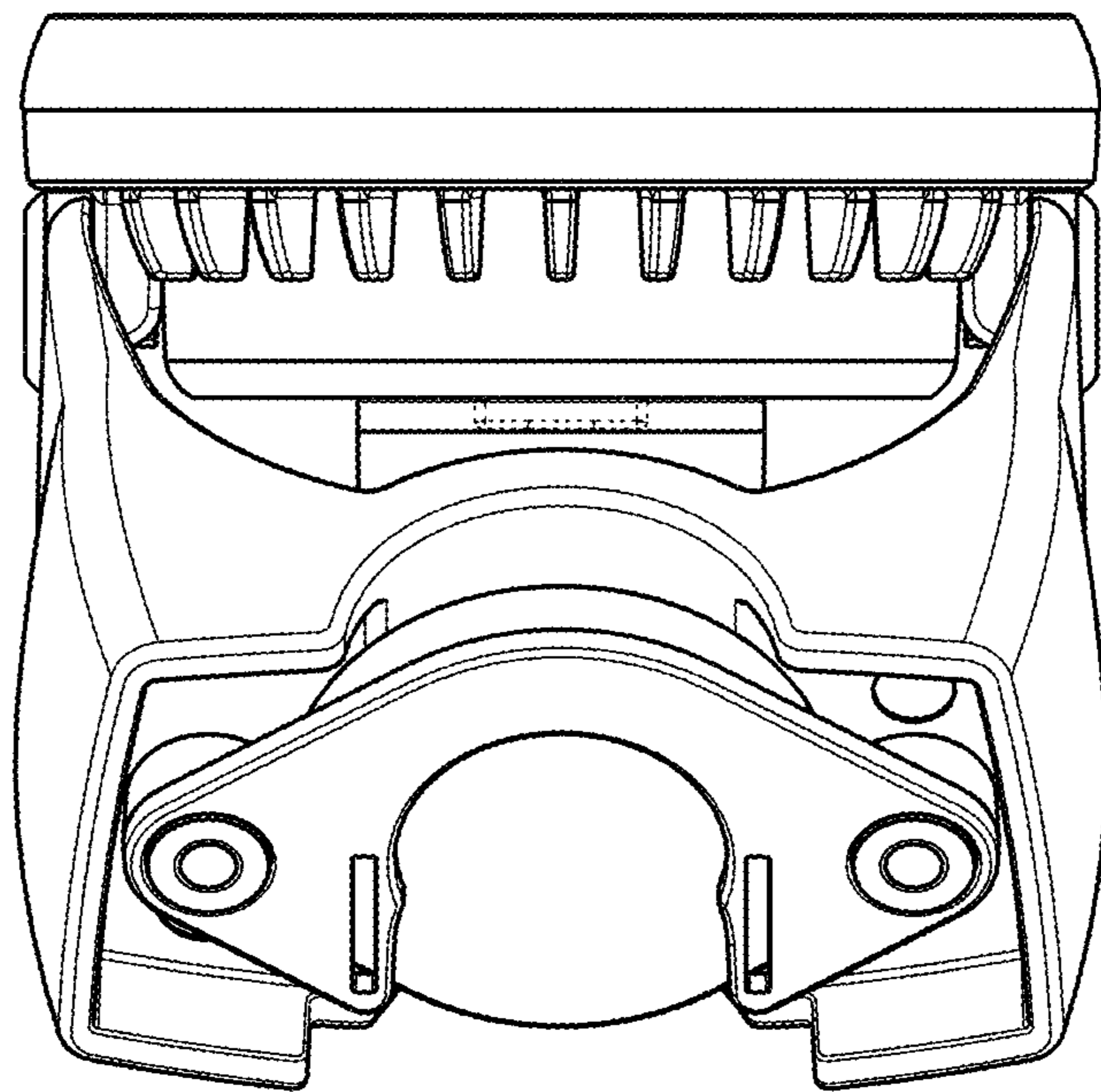


Fig. 4

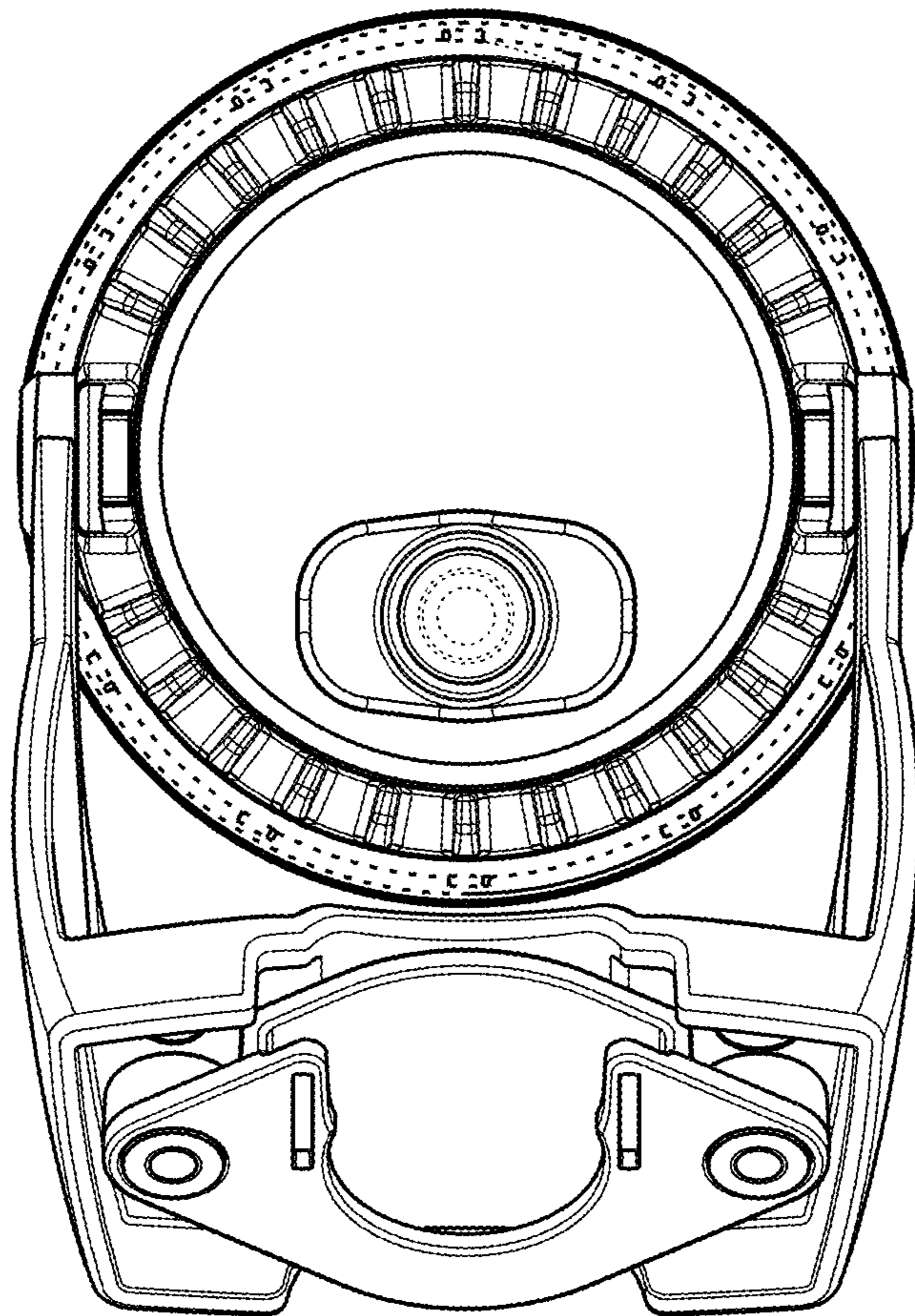


Fig. 5

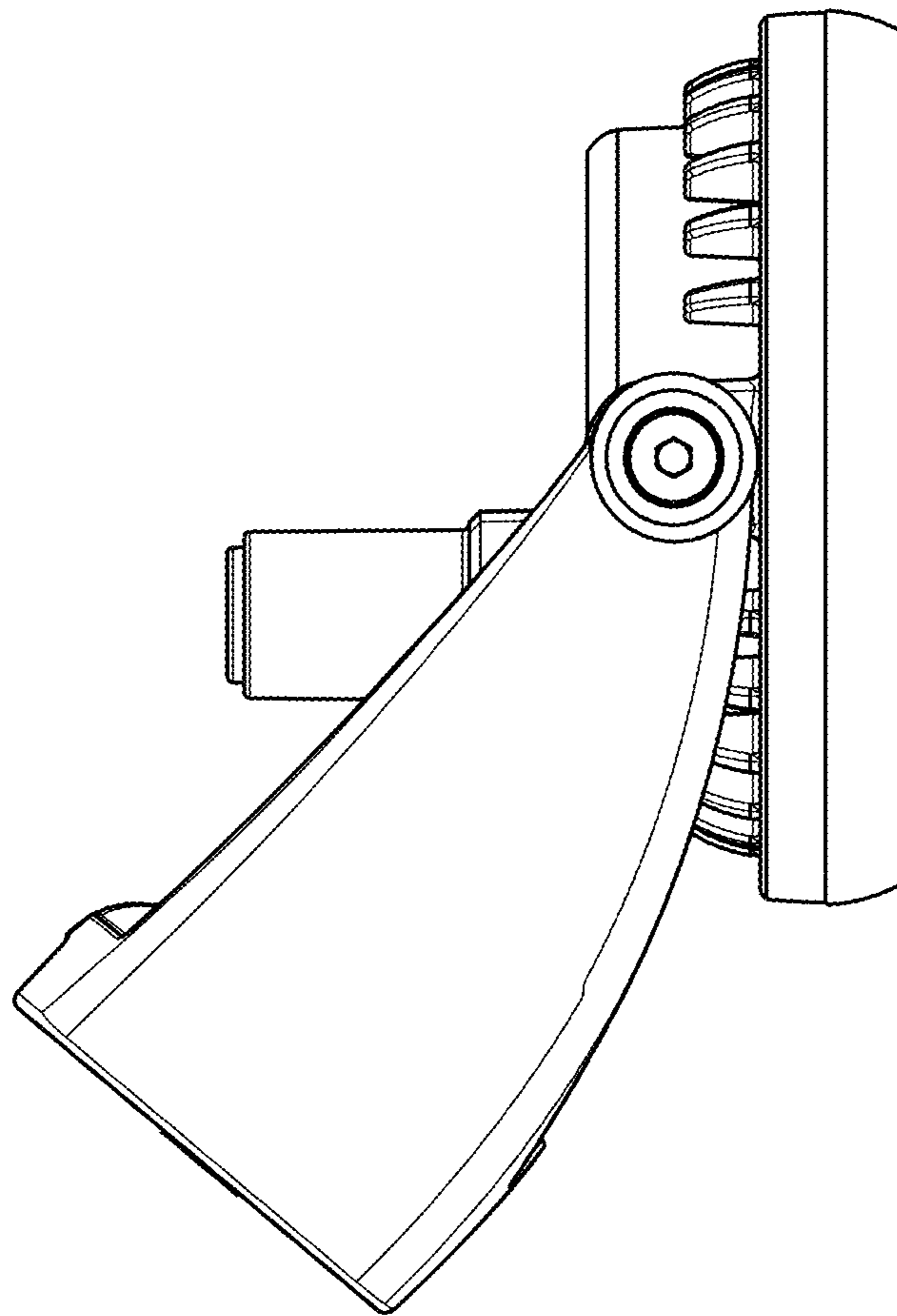


Fig. 6

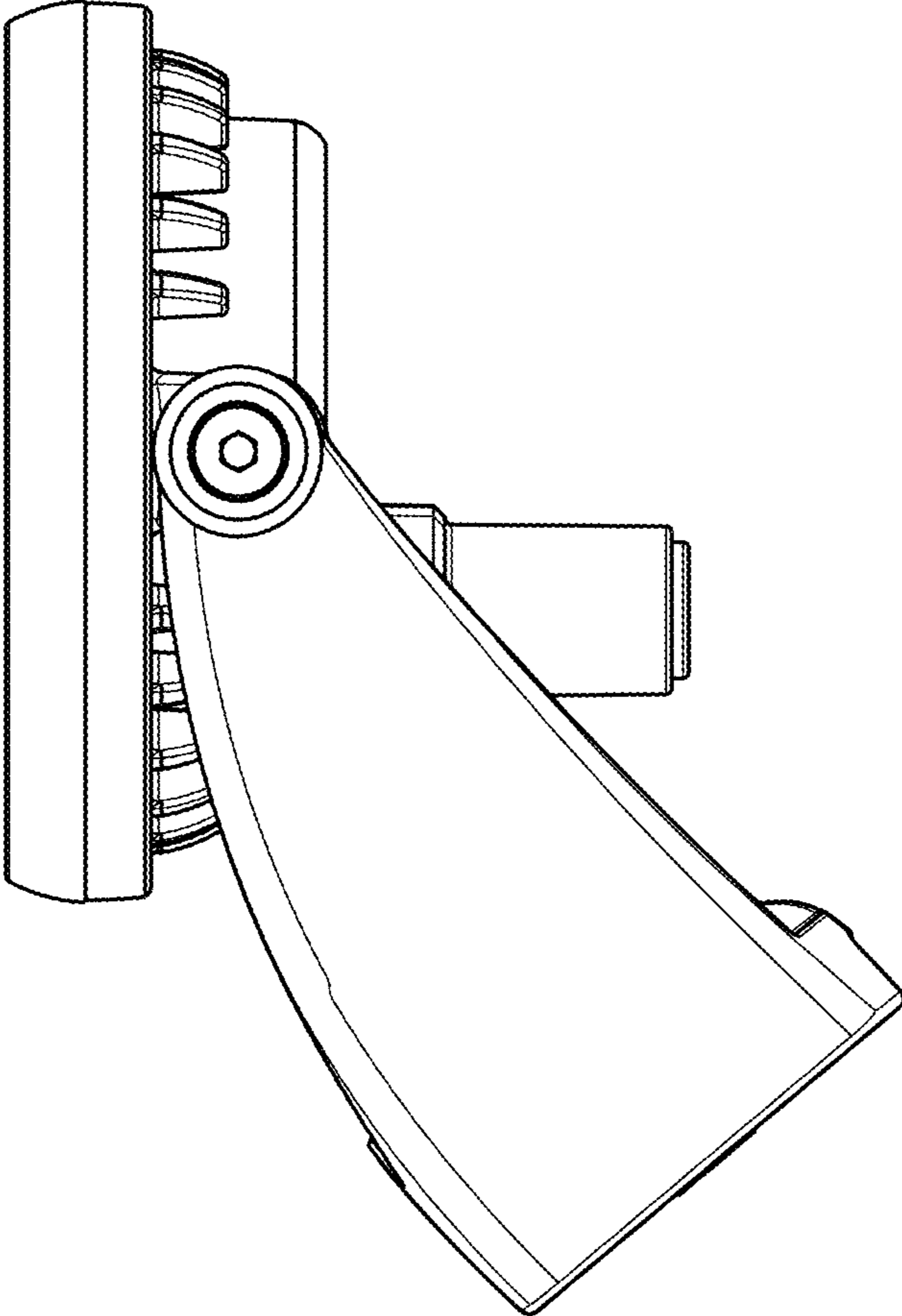


Fig. 7