



US00D835318S

(12) **United States Design Patent**
Kaluza

(10) **Patent No.:** **US D835,318 S**

(45) **Date of Patent:** **** Dec. 4, 2018**

(54) **LAMP**

(71) Applicant: **Erwin Müller GmbH**, Lingen (DE)

(72) Inventor: **Georg Kaluza**, Velbert (DE)

(73) Assignee: **Erwin Müller GmbH**, Lingen (DE)

(**) Term: **15 Years**

(21) Appl. No.: **29/599,476**

(22) Filed: **Apr. 4, 2017**

(30) **Foreign Application Priority Data**

Oct. 21, 2016 (EM) 003428473-0005

(51) **LOC (11) Cl.** **26-02**

(52) **U.S. Cl.**
USPC **D26/60; D26/65**

(58) **Field of Classification Search**
USPC D26/60–65, 107, 930; 362/269, 275,
362/285, 371, 410, 413, 414, 418, 419,
362/427
CPC F21Y 2103/003; F21V 21/26; F21V 21/30;
F21V 21/14; F21V 21/28
See application file for complete search history.

(56) **References Cited**

U.S. PATENT DOCUMENTS

D620,165 S * 7/2010 Huang D26/63
D689,642 S * 9/2013 Huang D26/63

D690,858 S * 10/2013 Citterio D26/63
D733,955 S * 7/2015 Ng D26/107
D753,860 S * 4/2016 Chen D26/60

* cited by examiner

Primary Examiner — Brian N Vinson

(74) *Attorney, Agent, or Firm* — Gudrun E. Huckett

(57) **CLAIM**

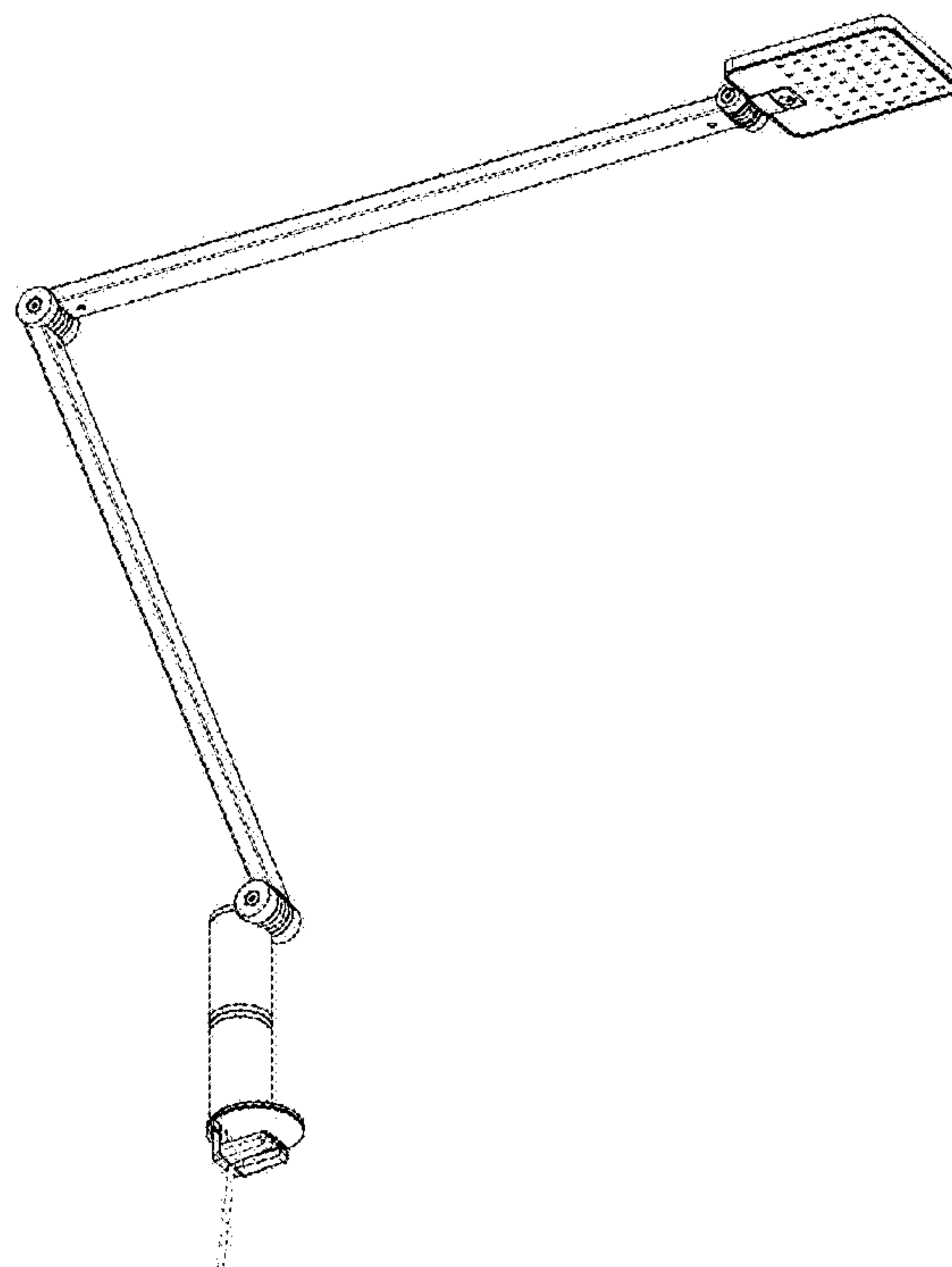
The ornamental design for a lamp, as shown and described.

DESCRIPTION

FIG. 1 is a top plan view of my novel design for a lamp;
FIG. 2 is a bottom plan view thereof;
FIG. 3 is a perspective top view thereof;
FIG. 4 is a perspective bottom view thereof;
FIG. 5 is another perspective bottom view at a different
viewing angle;
FIG. 6 is a side view thereof, the view from the opposite side
being identical and therefore omitted;
FIG. 7 is a rear view thereof; and,
FIG. 8 is a front view thereof.

The broken line illustration in the drawings indicates envi-
ronmental structure forming no part of the claimed design.

1 Claim, 8 Drawing Sheets



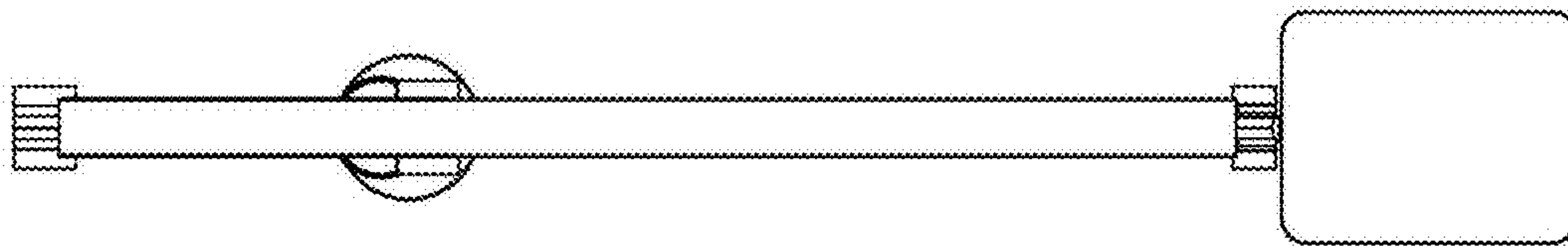


Fig. 1

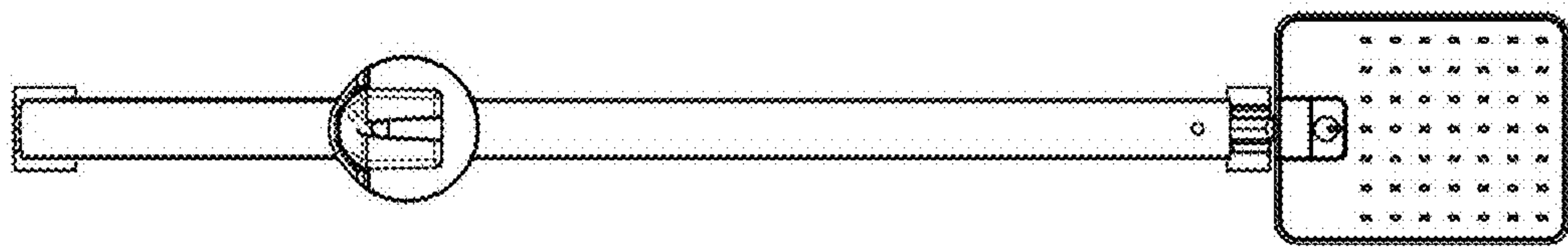


Fig. 2

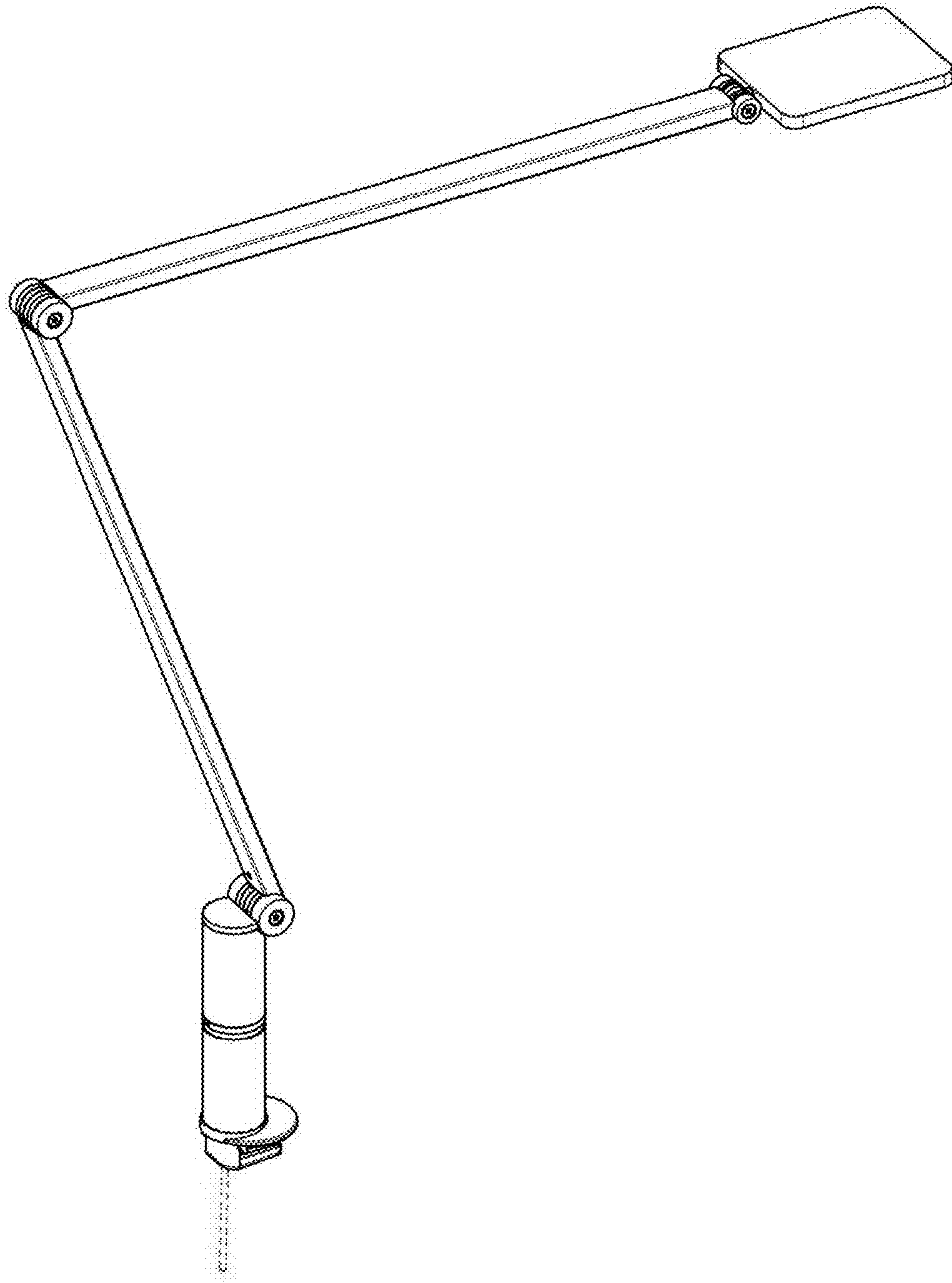


Fig. 3

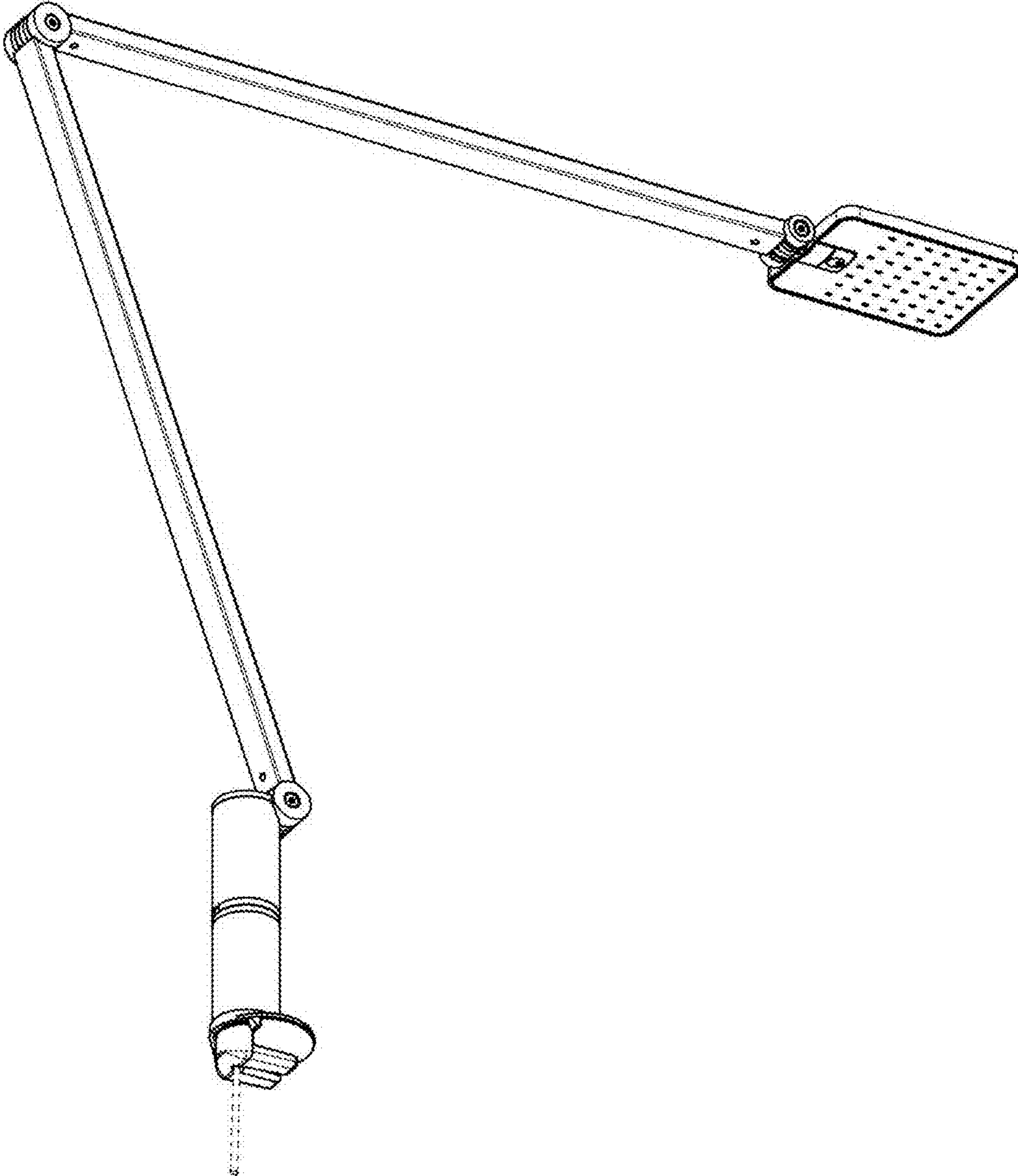


Fig. 4

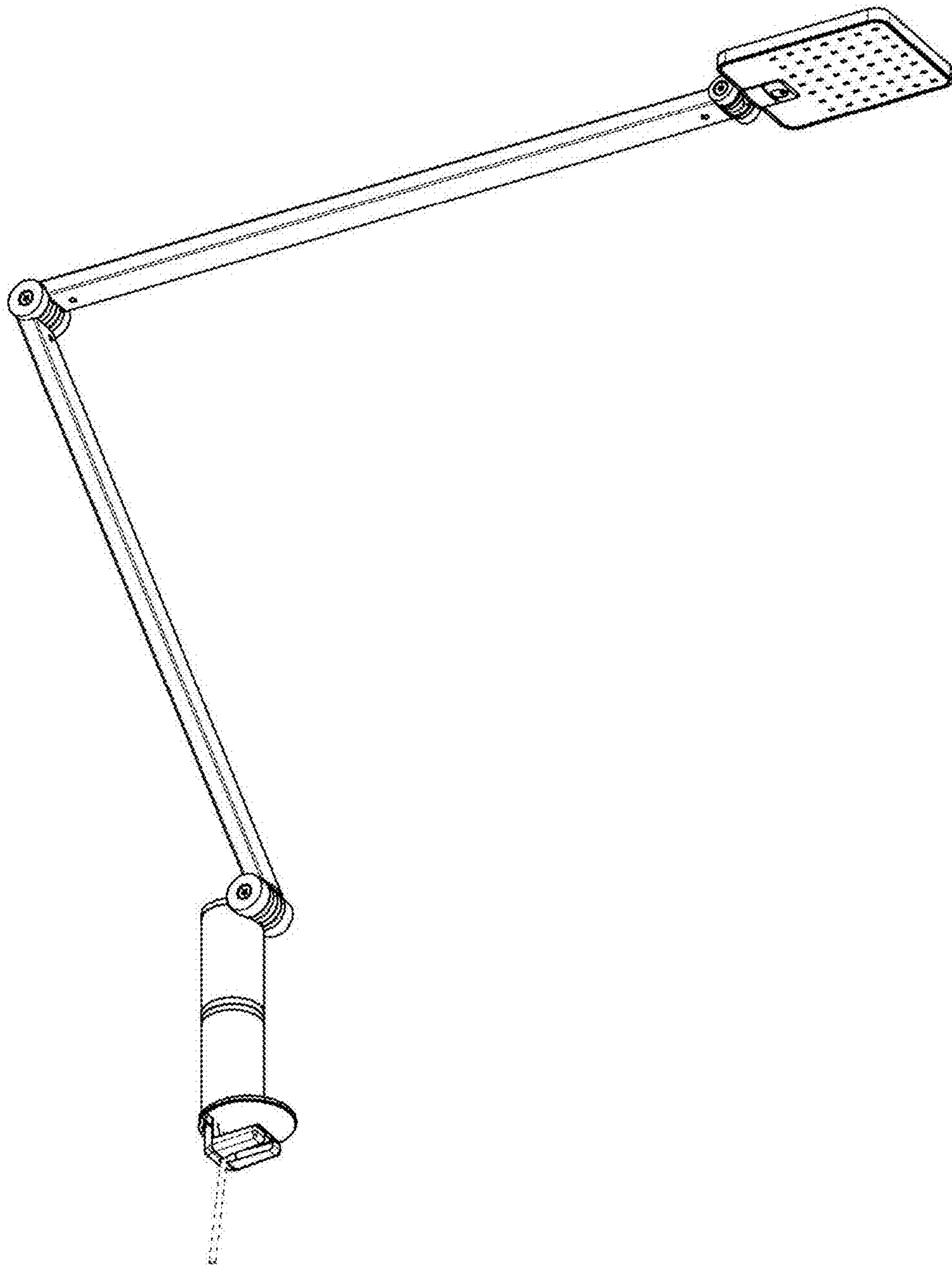


Fig. 5

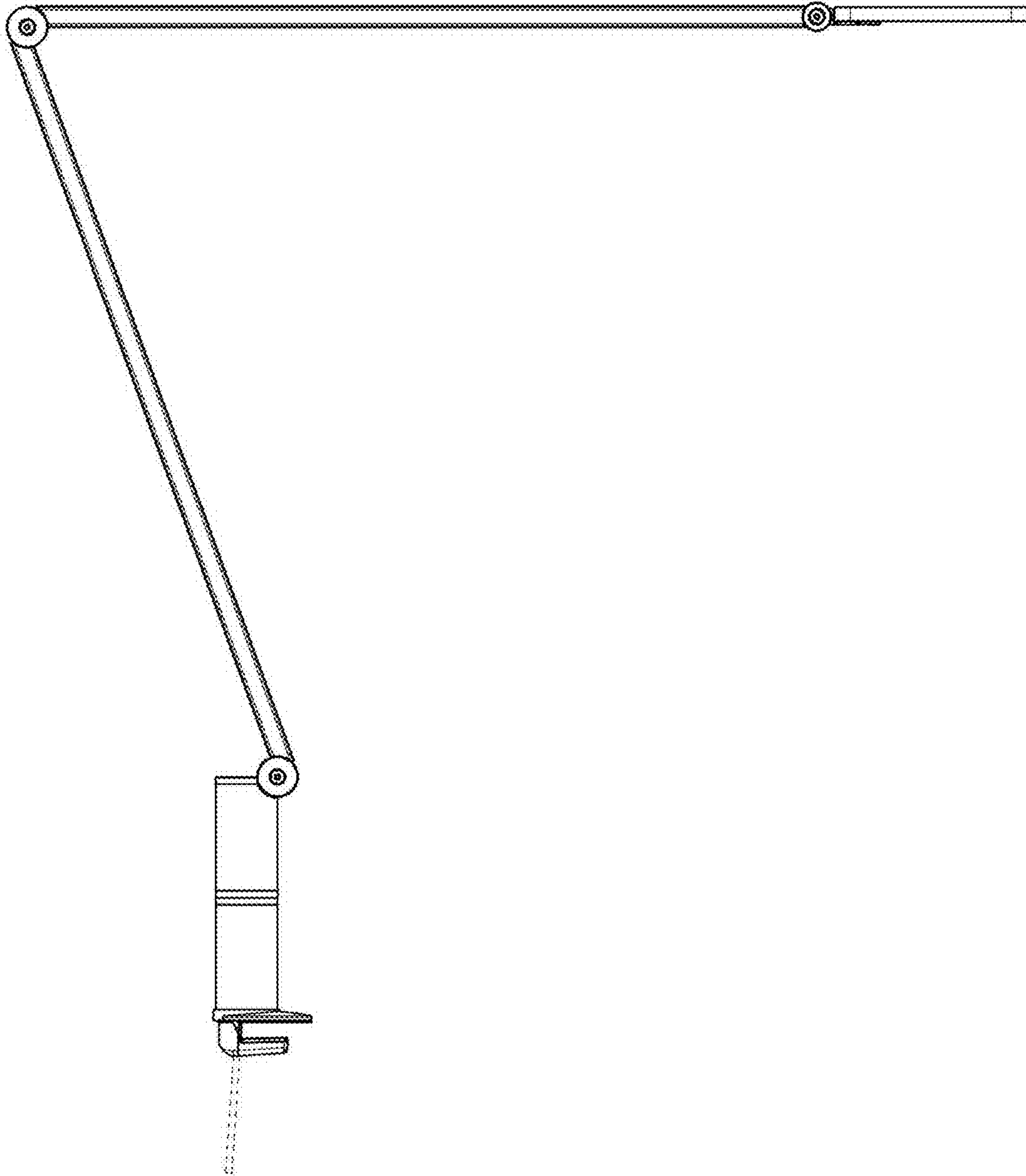


Fig. 6

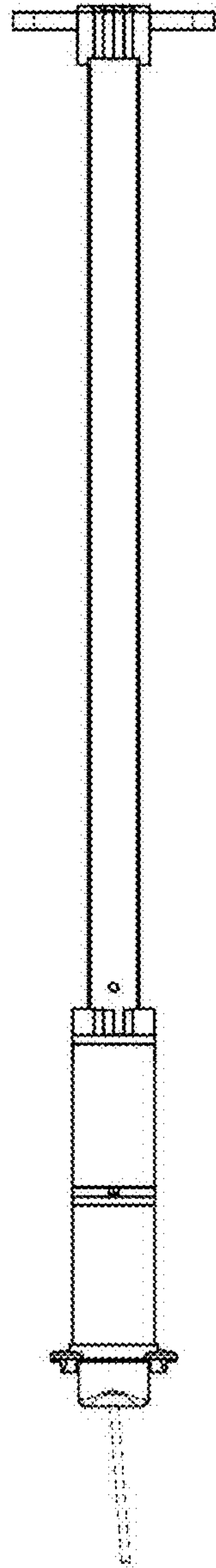


Fig. 7

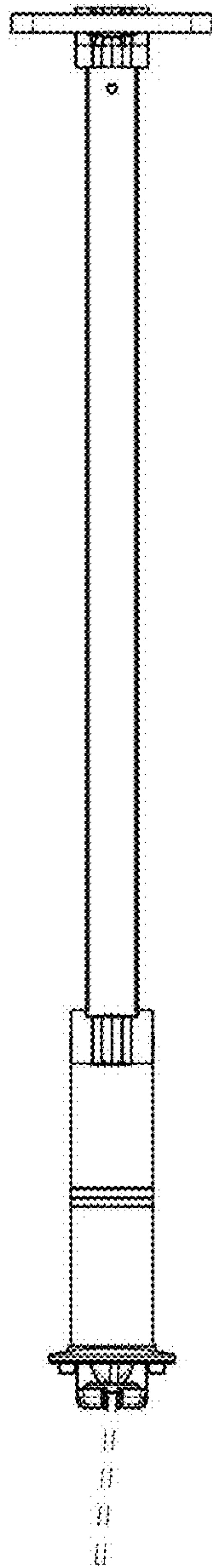


Fig. 8