



US00D835317S

(12) **United States Design Patent**
Edgar et al.

(10) **Patent No.:** **US D835,317 S**
(45) **Date of Patent:** **** Dec. 4, 2018**

(54) **FLOOR LIGHT MAGNIFIER ASSEMBLY**

(71) Applicant: **Gold Crest, LLC**, Santa Barbara, CA (US)

(72) Inventors: **Roger Edgar**, Santa Barbara, CA (US);
Pat Richardson, Santa Barbara, CA (US); **Carolyn Chase**, Santa Barbara, CA (US); **Chris Woodward**, Barnet (GB)

(73) Assignee: **Gold Crest, LLC**, Santa Barbara, CA (US)

(**) Term: **15 Years**

(21) Appl. No.: **29/589,293**

(22) Filed: **Dec. 29, 2016**

(51) **LOC (11) Cl.** **26-03**

(52) **U.S. Cl.**
USPC **D26/51**

(58) **Field of Classification Search**
USPC D26/24, 93, 106, 107, 108, 110, 112, 61,
D26/62, 65, 51; D16/135
CPC F21S 6/00; F21S 6/002; F21S 8/043; F21S
8/08; F21V 21/02; F21V 21/116; F21V
21/20; F21W 2131/30; F21Y 2105/00
See application file for complete search history.

(56) **References Cited**

U.S. PATENT DOCUMENTS

4,432,042	A	2/1984	Zeller	
D283,056	S	3/1986	Ansems	
D301,753	S	6/1989	Iacovelli	
D328,358	S	7/1992	Tsang	
5,613,771	A *	3/1997	Siverling F21V 21/20 362/275
D397,468	S	8/1998	Zeller	
5,822,546	A	10/1998	George	
D418,240	S	12/1999	Sherman	

D427,703	S	7/2000	Chan	
D435,679	S	12/2000	Naghi et al.	
6,172,884	B1	1/2001	Lanni	
D448,104	S	9/2001	Weitzman et al.	
6,361,184	B1	3/2002	Hallgrimsson et al.	
D456,923	S	5/2002	Konig	
6,386,724	B2	5/2002	Naghi	
6,465,987	B1	10/2002	Haas et al.	
D476,106	S	6/2003	Kim	
6,586,849	B2	7/2003	Tarr	
6,680,844	B2	1/2004	Kim	
6,711,006	B2	3/2004	Chen	
D490,553	S *	5/2004	Waldmann D26/61
6,749,314	B2	6/2004	Naghi et al.	

(Continued)

Primary Examiner — Brian N. Vinson
(74) *Attorney, Agent, or Firm* — Tsircou Law, P.C.

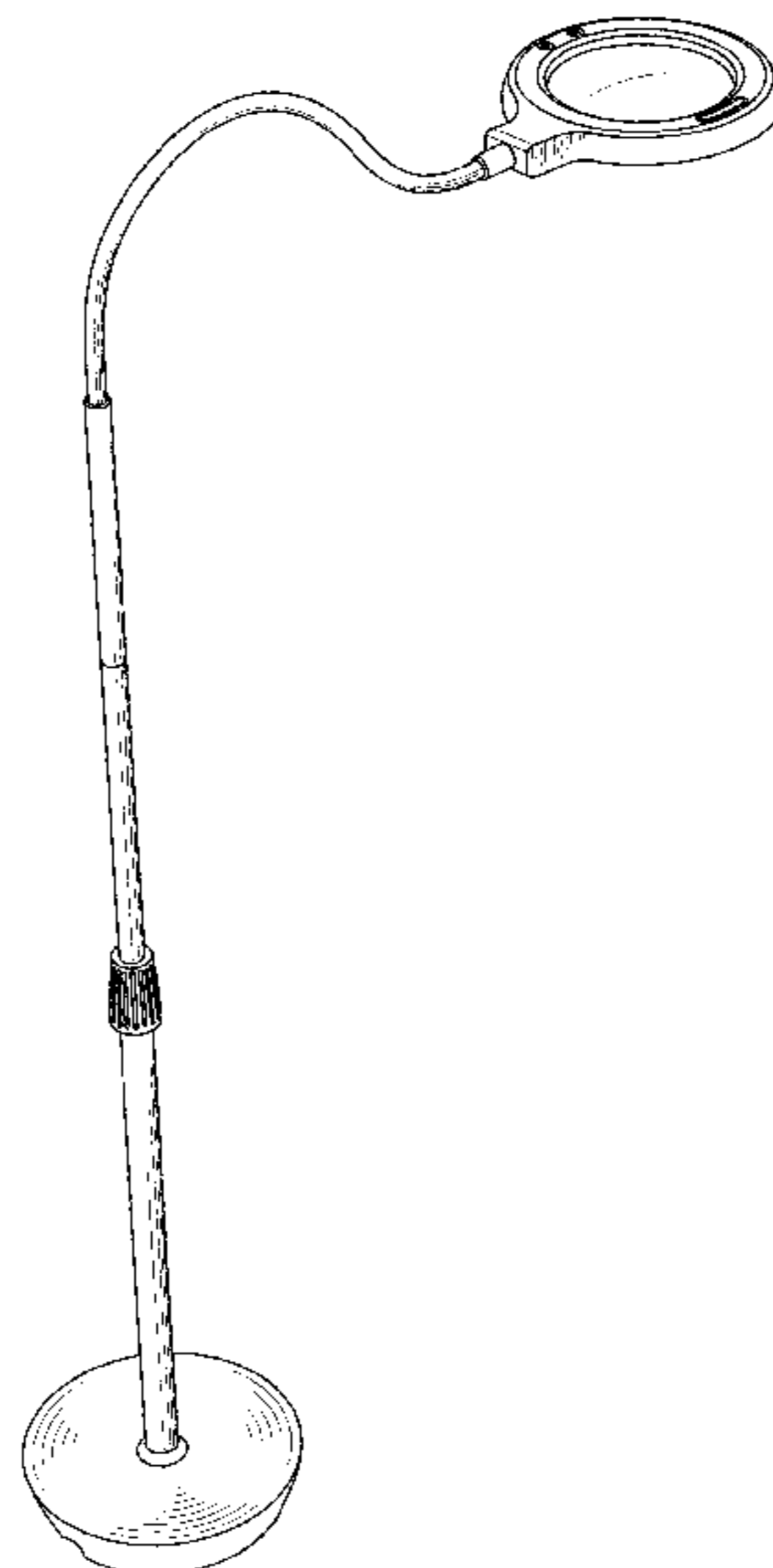
(57) **CLAIM**

We claim the ornamental design for a floor light magnifier assembly, as shown and described.

DESCRIPTION

FIG. 1 a perspective view of a floor light magnifier assembly of the new design.
FIG. 2 is a front elevational view of the floor light magnifier assembly of FIG. 1.
FIG. 3 is a back elevational view of the floor light magnifier assembly of FIG. 1.
FIG. 4 is a first side view of the floor light magnifier assembly of FIG. 1.
FIG. 5 is a second side view of the floor light magnifier assembly of FIG. 1.
FIG. 6 is a top view of the floor light magnifier assembly of FIG. 1; and,
FIG. 7 is a bottom view of the floor light magnifier assembly of FIG. 1.
The broken line disclosure represents portions of the floor light magnifier assembly that form no part of the claimed design.

1 Claim, 5 Drawing Sheets



(56)

References Cited

U.S. PATENT DOCUMENTS

6,773,192	B1	8/2004	Chao	
6,808,289	B2	10/2004	Reed	
D498,322	S	11/2004	Schnell	
6,851,819	B2	2/2005	Naghi et al.	
D506,279	S	6/2005	Sirichai et al.	
6,921,284	B2	7/2005	Sirichai et al.	
7,004,596	B2	2/2006	Merrem	
D522,677	S	6/2006	Ming	
D526,340	S *	8/2006	Hodgson	D16/135
D529,651	S	10/2006	Chan	
D562,485	S	2/2008	Brown	
D589,645	S *	3/2009	Citterio	D26/107
7,541,692	B2	6/2009	Hirst et al.	
7,649,279	B2	1/2010	Lanni	
7,727,031	B2	6/2010	Lord	
D629,132	S *	12/2010	Huang	D26/62
D636,513	S *	4/2011	Furtsch	D26/51
D669,627	S *	10/2012	Huang	D26/107
D688,289	S *	8/2013	Hodgson	D16/135
D698,962	S *	2/2014	Waldmann	D16/135
D744,153	S *	11/2015	Hodgson	D26/107
D776,336	S *	1/2017	Ng	D26/107
2001/0043468	A1	11/2001	Krietzman et al.	
2001/0048409	A1	12/2001	Kim	
2002/0186563	A1	12/2002	Krietzman et al.	
2003/0223228	A1	12/2003	Krietzman	
2004/0017677	A1	1/2004	Krietzman	
2004/0042735	A1	3/2004	Ma	
2004/0090795	A1	5/2004	Kim	
2005/0083677	A1	4/2005	Krietzman	
2006/0109620	A1	5/2006	Kim	

* cited by examiner

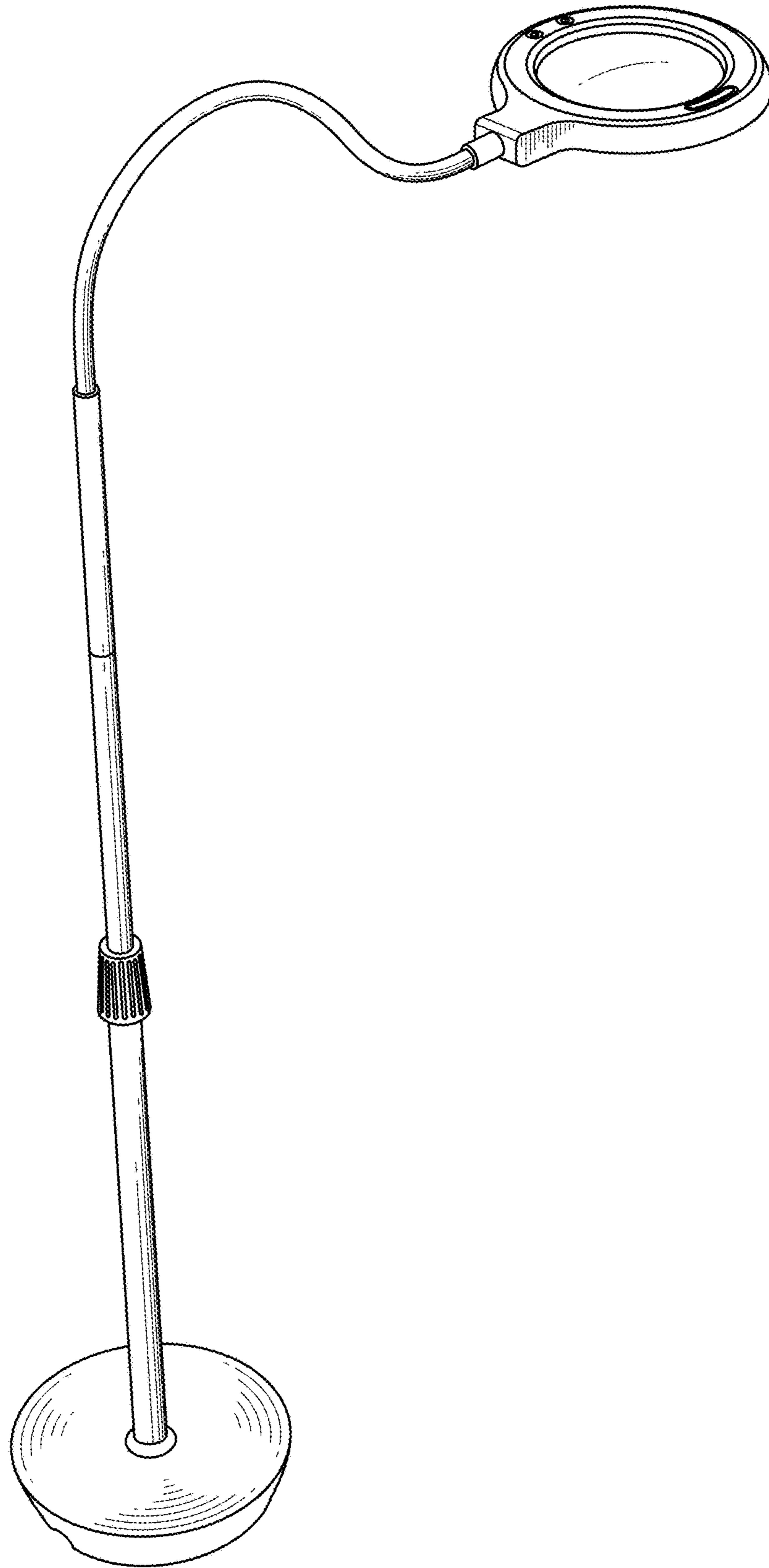


FIG. 1

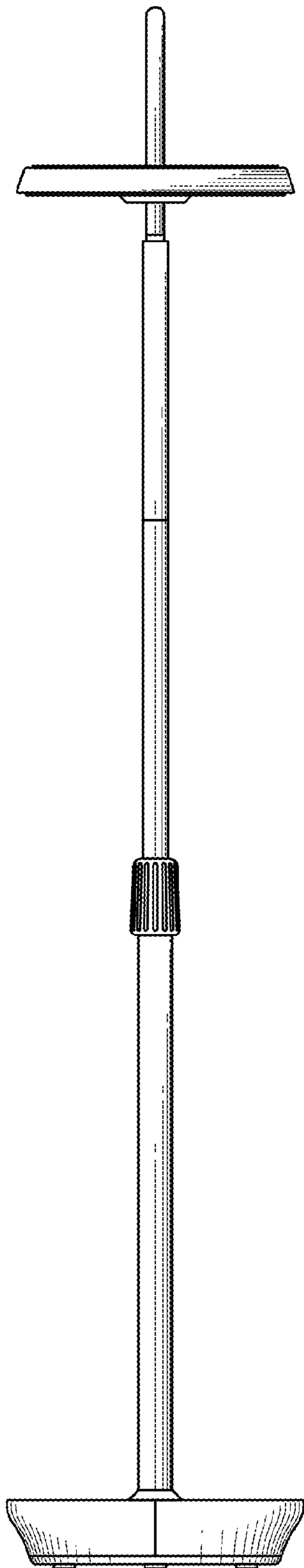


FIG. 2

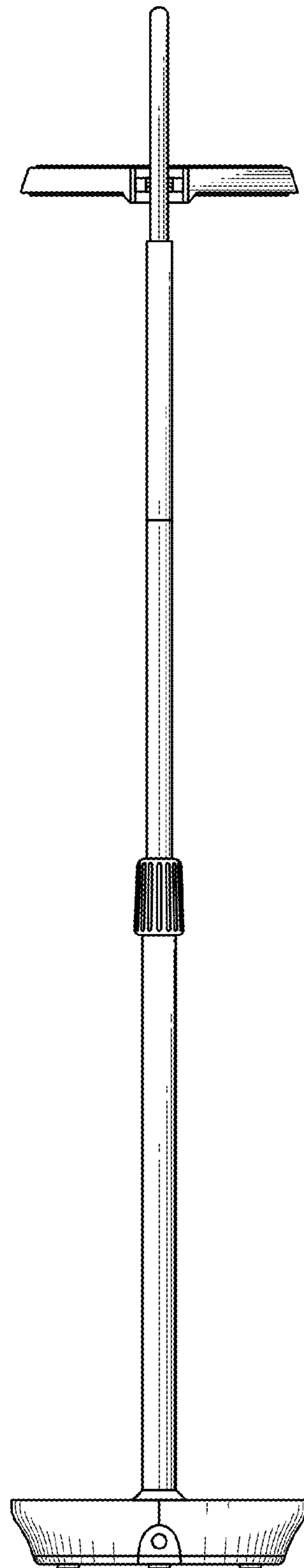


FIG. 3

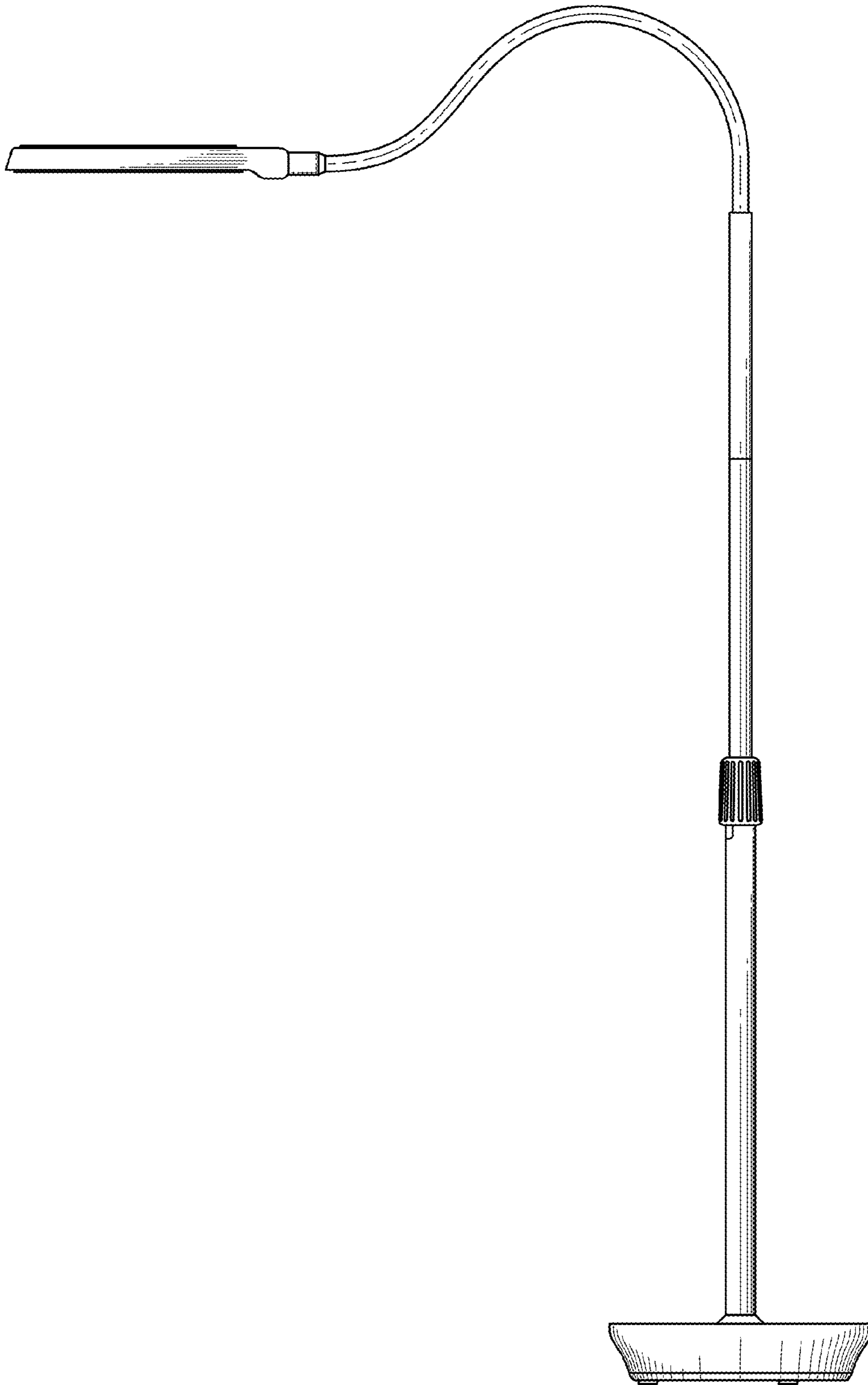


FIG. 4

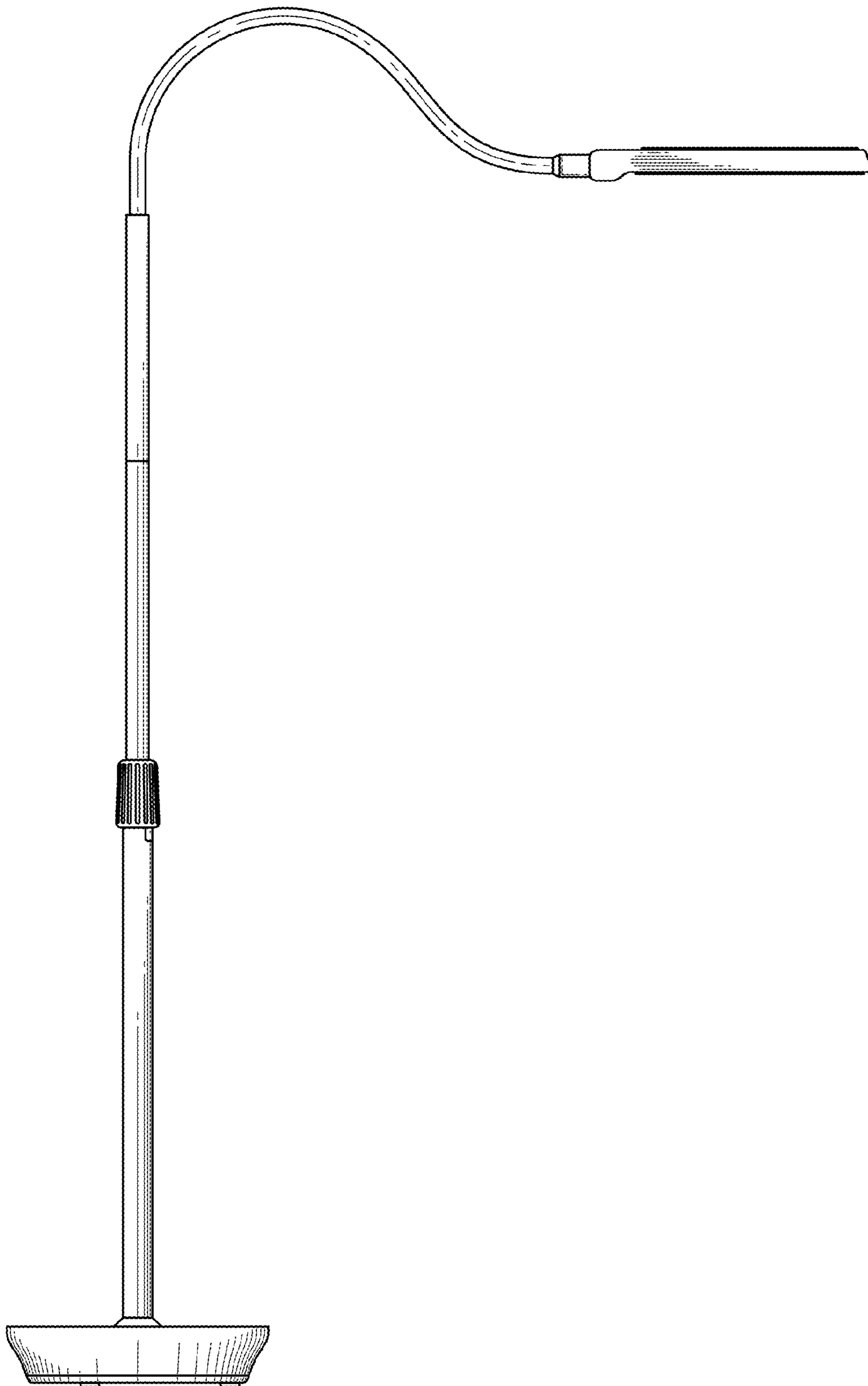


FIG. 5

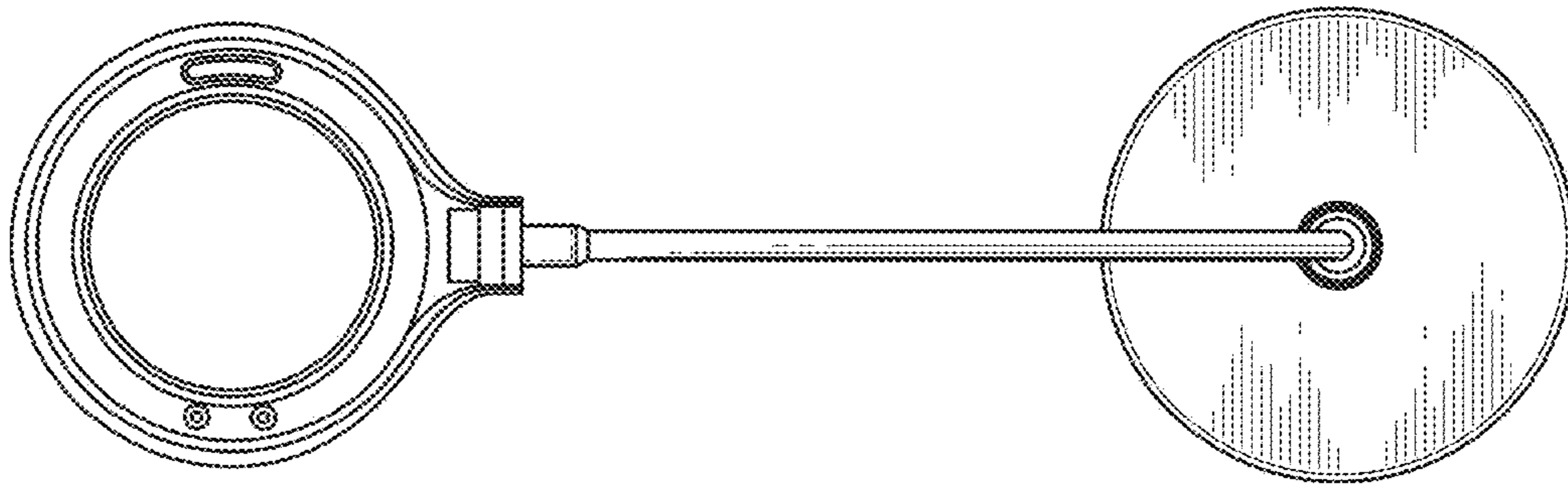


FIG. 6

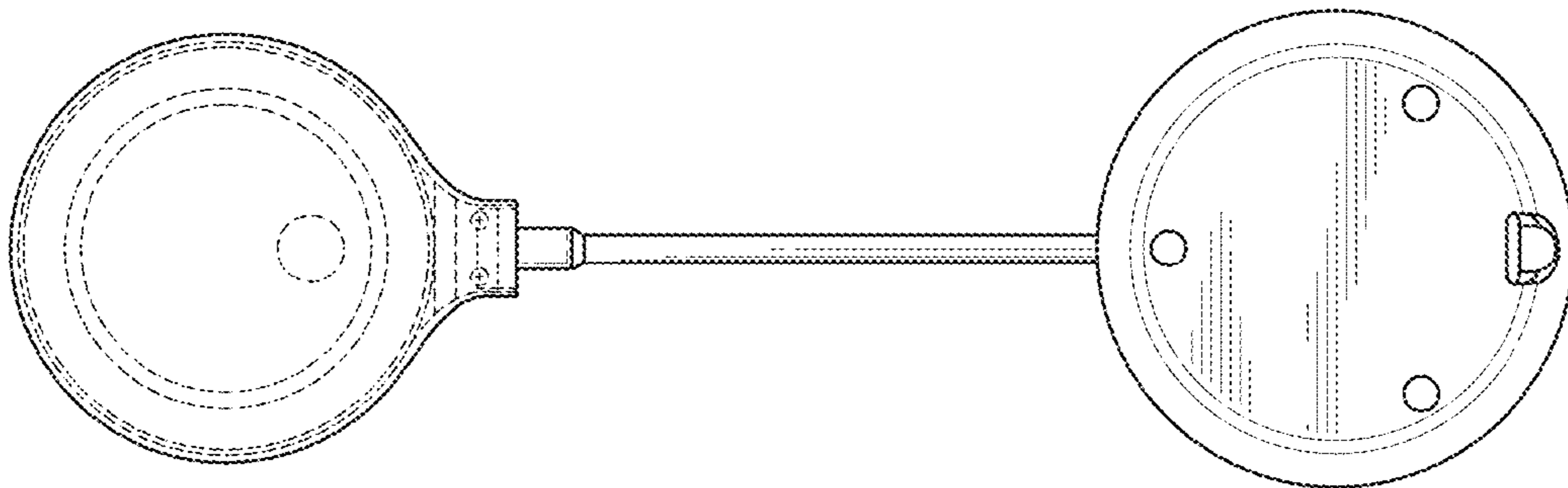


FIG. 7