



US00D835316S

(12) **United States Design Patent**
Edgar et al.

(10) **Patent No.:** **US D835,316 S**
(45) **Date of Patent:** **** Dec. 4, 2018**

(54) **LIGHT MAGNIFIER ASSEMBLY**

(71) Applicant: **Gold Crest, LLC**, Santa Barbara, CA (US)

(72) Inventors: **Roger Edgar**, Santa Barbara, CA (US); **Pat Richardson**, Santa Barbara, CA (US); **Carolyn Chase**, Santa Barbara, CA (US); **Chris Woodward**, Banret (GB)

(73) Assignee: **Gold Crest, LLC**, Santa Barbara, CA (US)

(**) Term: **15 Years**

(21) Appl. No.: **29/589,287**

(22) Filed: **Dec. 29, 2016**

(51) **LOC (11) Cl.** **26-03**

(52) **U.S. Cl.**
USPC **D26/51**

(58) **Field of Classification Search**
USPC D26/24, 93, 106, 107, 108, 110, 112, 61, D26/62, 65, 51; D16/135
CPC F21S 6/00; F21S 6/002; F21S 8/043; F21S 8/08; F21V 21/02; F21V 21/116; F21V 21/20; F21W 2131/30; F21Y 2105/00
See application file for complete search history.

(56) **References Cited**

U.S. PATENT DOCUMENTS

4,432,042 A	2/1984	Zeller	
D283,056 S	3/1986	Ansens	
D301,753 S	6/1989	Iacovelli	
D328,358 S	7/1992	Tsang	
5,613,771 A *	3/1997	Siverling F21V 21/20 362/275
D397,468 S	8/1998	Zeller	
5,822,546 A	10/1998	George	
D418,240 S	12/1999	Sherman	

D427,703 S	7/2000	Chan	
D435,679 S	12/2000	Naghi et al.	
6,172,884 B1	1/2001	Lanni	
D448,104 S	9/2001	Weitzman et al.	
6,361,184 B1	3/2002	Hallgrimsson et al.	
D456,923 S	5/2002	Konig	
6,386,724 B2	5/2002	Naghi	
6,465,987 B1	10/2002	Haas et al.	
D476,106 S	6/2003	Kim	
6,586,849 B2	7/2003	Tarr	
6,680,844 B2	1/2004	Kim	
6,711,006 B2	3/2004	Chen	
D490,553 S *	5/2004	Waldmann D26/61
6,749,314 B2	6/2004	Naghi et al.	
6,773,192 B1	8/2004	Chao	

(Continued)

Primary Examiner — Brian N. Vinson

(74) *Attorney, Agent, or Firm* — Tsircou Law PC

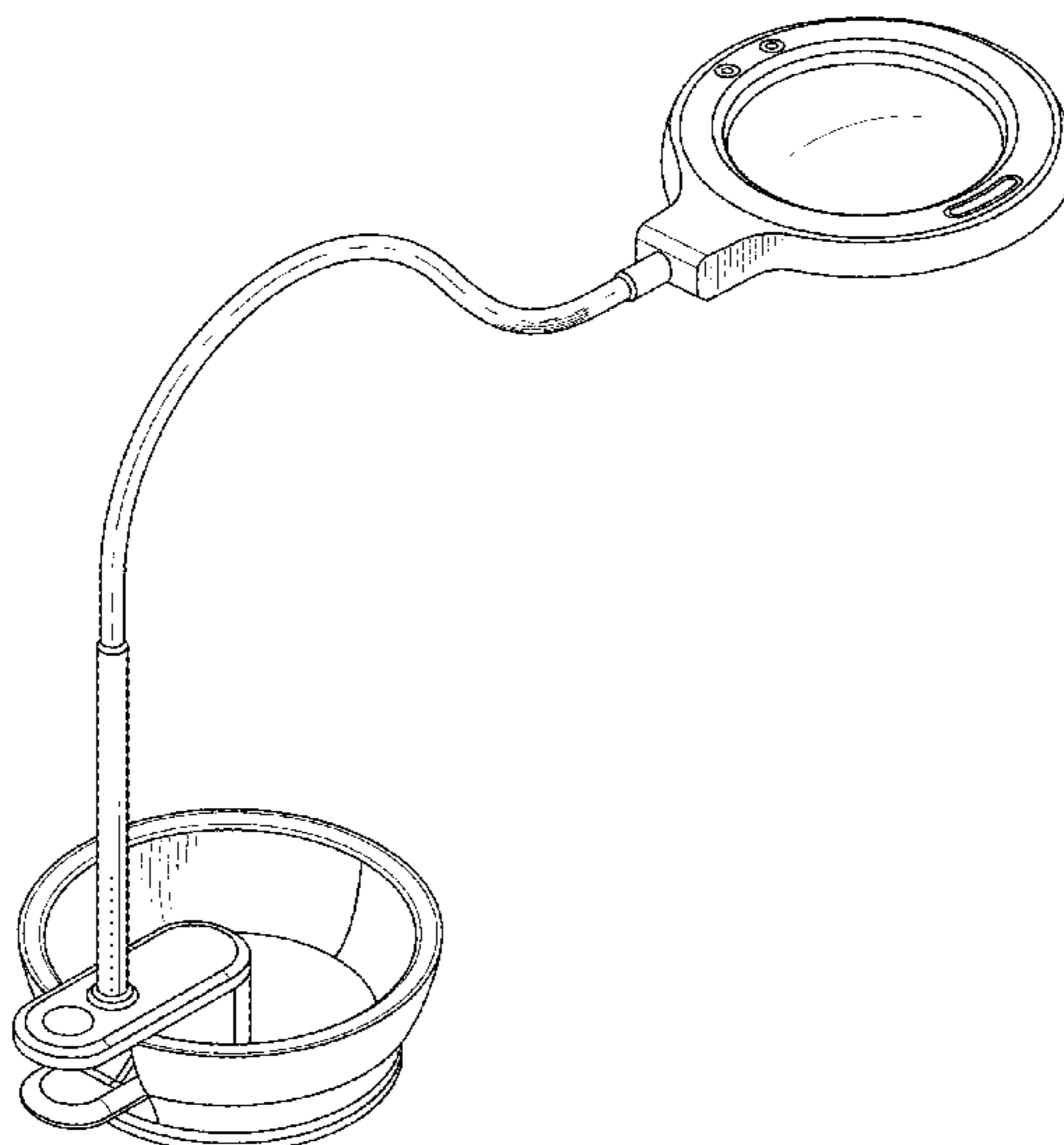
(57) **CLAIM**

We claim the ornamental design for a light magnifier assembly, as shown and described.

DESCRIPTION

FIG. 1 a perspective view of a light magnifier assembly of the new design.
 FIG. 2 is a front elevational view of the light magnifier assembly of FIG. 1.
 FIG. 3 is a back elevational view of the light magnifier assembly of FIG. 1.
 FIG. 4 is a first side view of the light magnifier assembly of FIG. 1.
 FIG. 5 is a second side view of the light magnifier assembly of FIG. 1.
 FIG. 6 is a top view of the light magnifier assembly of FIG. 1; and,
 FIG. 7 is a bottom view of the light magnifier assembly of FIG. 1. The broken line disclosure represents portions of the light magnifier assembly that form no part of the claimed design.

1 Claim, 4 Drawing Sheets



(56)

References Cited

U.S. PATENT DOCUMENTS

6,808,289	B2	10/2004	Reed	
D498,322	S	11/2004	Schnell	
6,851,819	B2	2/2005	Naghi et al.	
D506,279	S	6/2005	Sirichai et al.	
6,921,284	B2	7/2005	Sirichai et al.	
7,004,596	B2	2/2006	Merrem	
D522,677	S	6/2006	Ming	
D526,340	S *	8/2006	Hodgson	D16/135
D529,651	S	10/2006	Chan	
D562,485	S	2/2008	Brown	
7,541,692	B2	6/2009	Hirst et al.	
7,649,279	B2	1/2010	Lanni	
7,727,031	B2	6/2010	Lord	
D629,132	S *	12/2010	Huang	D26/62
D636,513	S *	4/2011	Furtsch	D16/135
D669,627	S *	10/2012	Huang	D26/107
D688,289	S *	8/2013	Hodgson	D16/135
D698,962	S *	2/2014	Waldmann	D16/135
D744,153	S *	11/2015	Hodgson	D26/107
D768,077	S *	10/2016	Wahl	D13/108
2001/0043468	A1	11/2001	Krietzman et al.	
2001/0048409	A1	12/2001	Kim	
2002/0186563	A1	12/2002	Krietzman et al.	
2003/0223228	A1	12/2003	Krietzman	
2004/0017677	A1	1/2004	Krietzman	
2004/0042735	A1	3/2004	Ma	
2004/0090795	A1	5/2004	Kim	
2005/0083677	A1	4/2005	Krietzman	
2006/0109620	A1	5/2006	Kim	

* cited by examiner

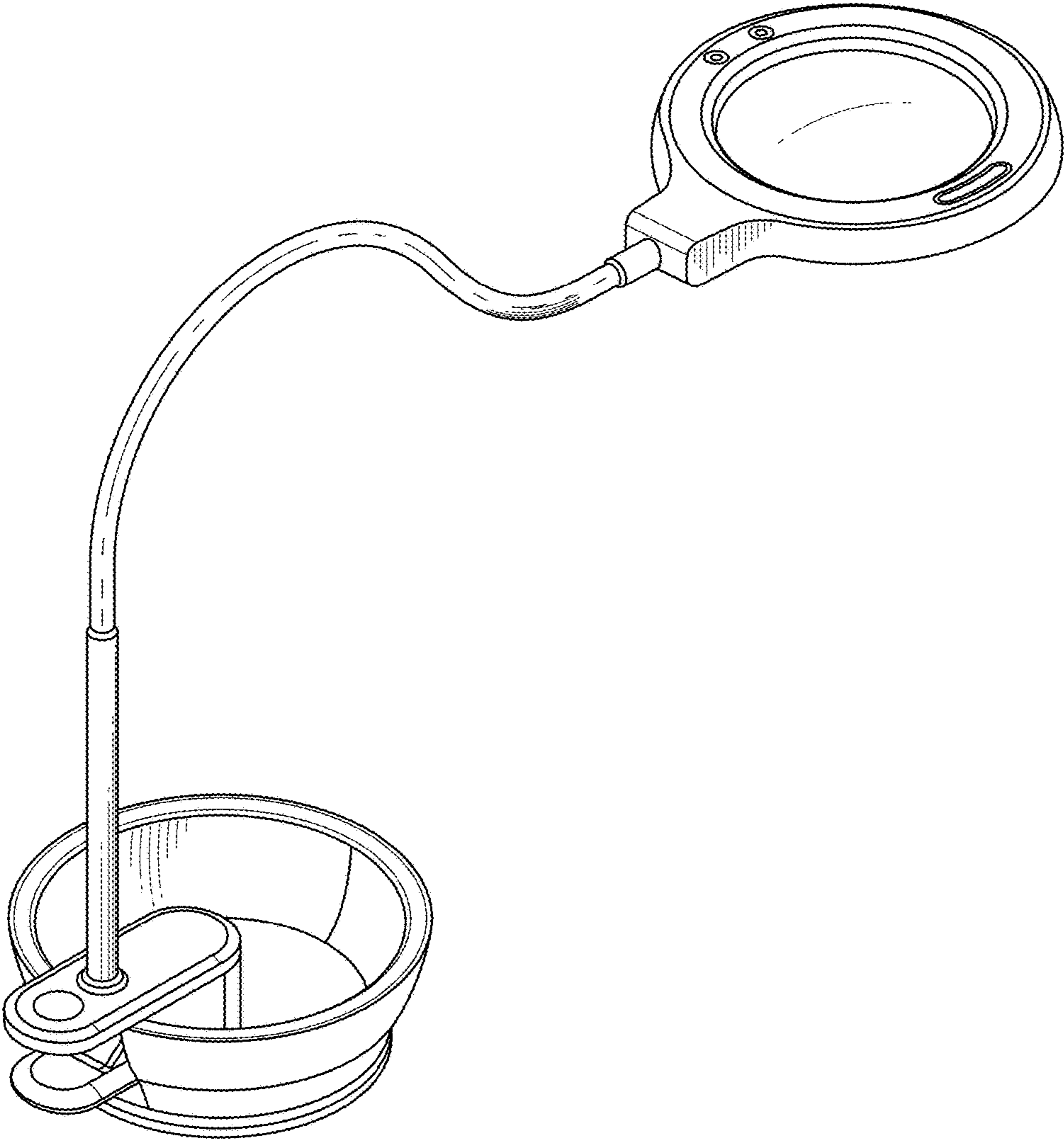


FIG. 1

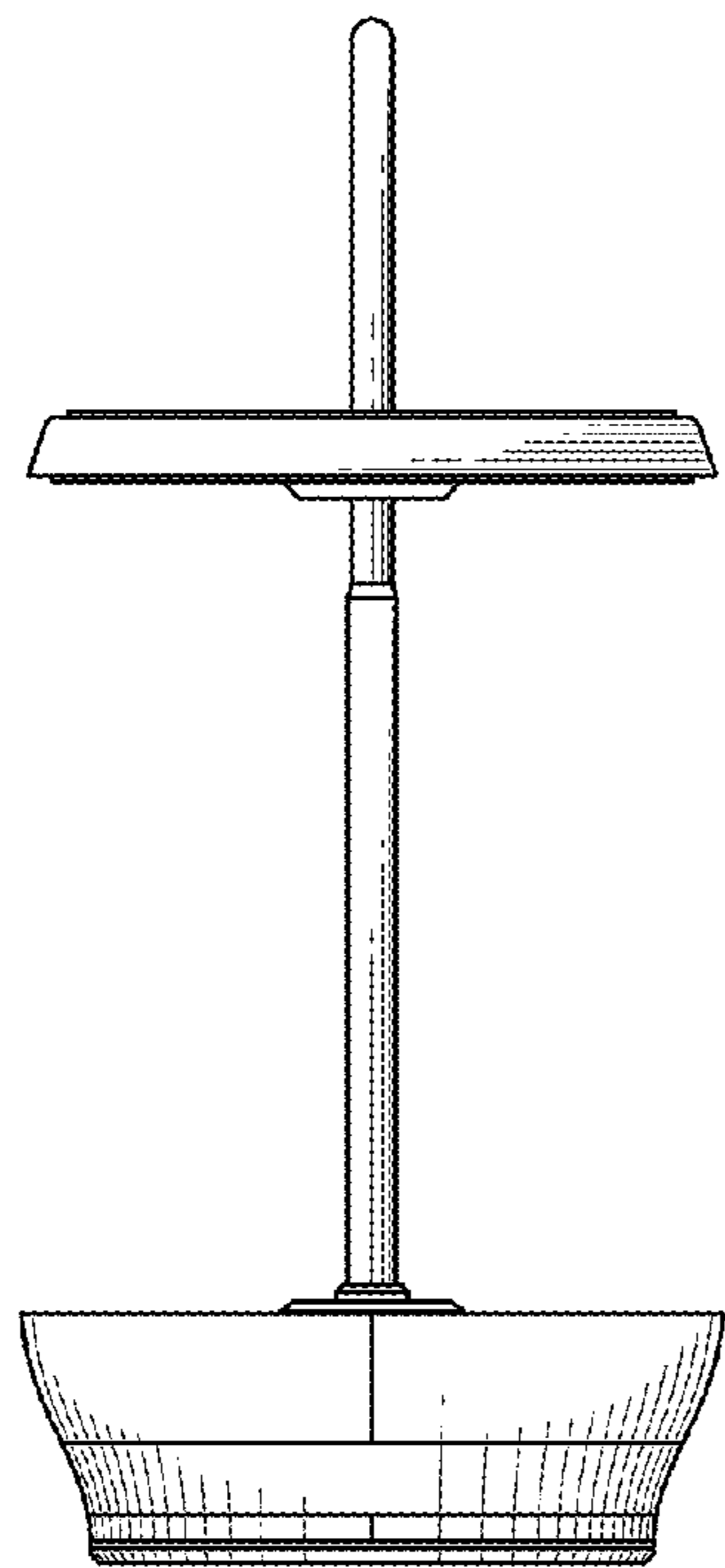


FIG. 2

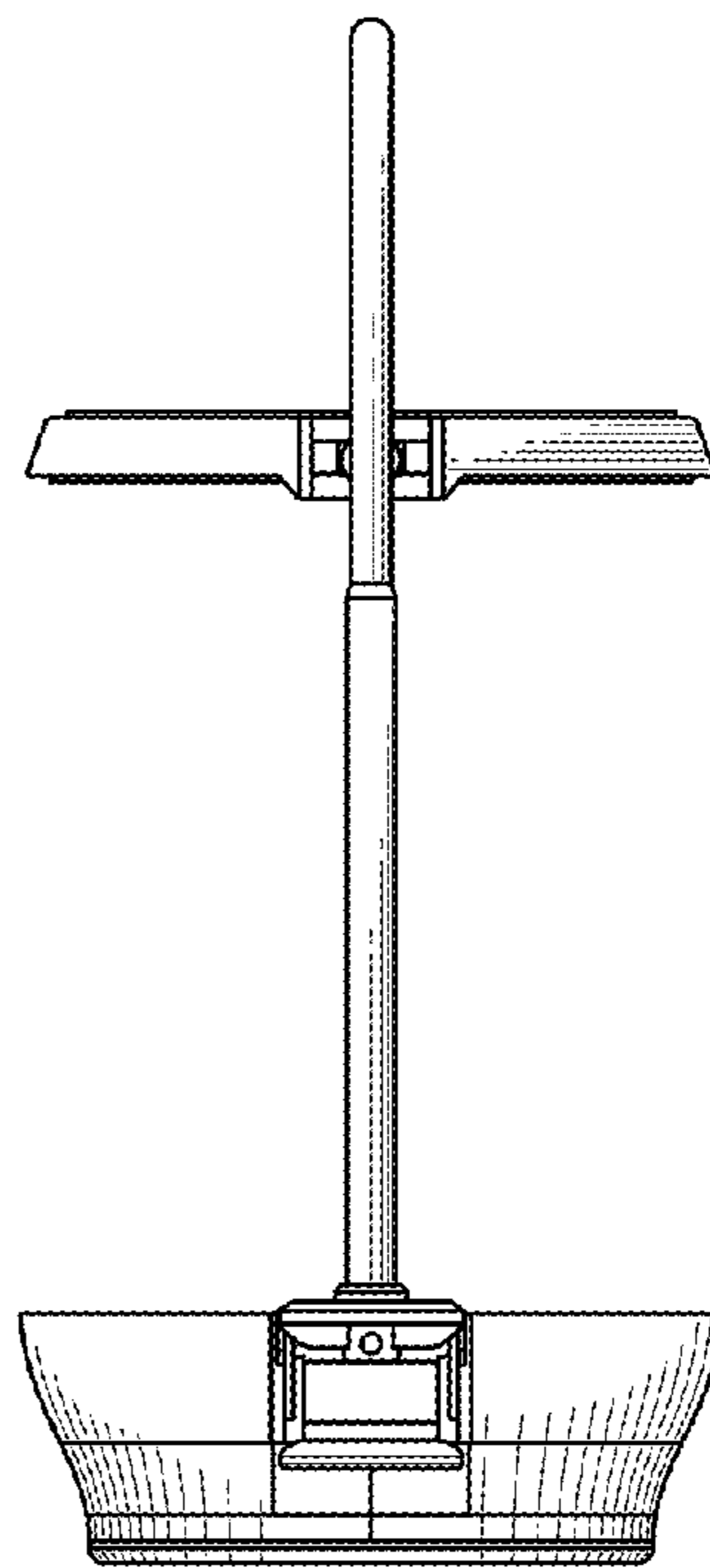


FIG. 3

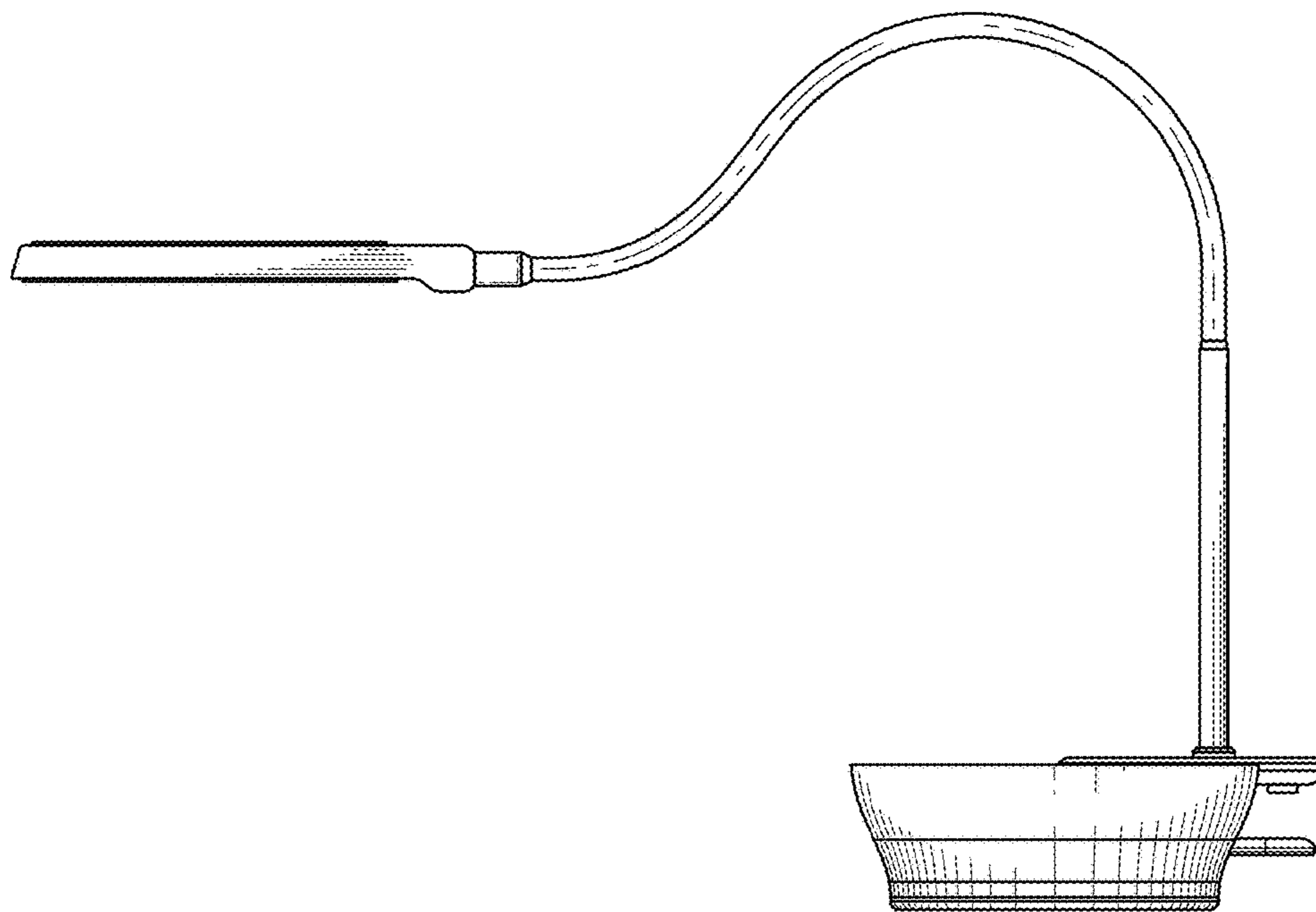


FIG. 4

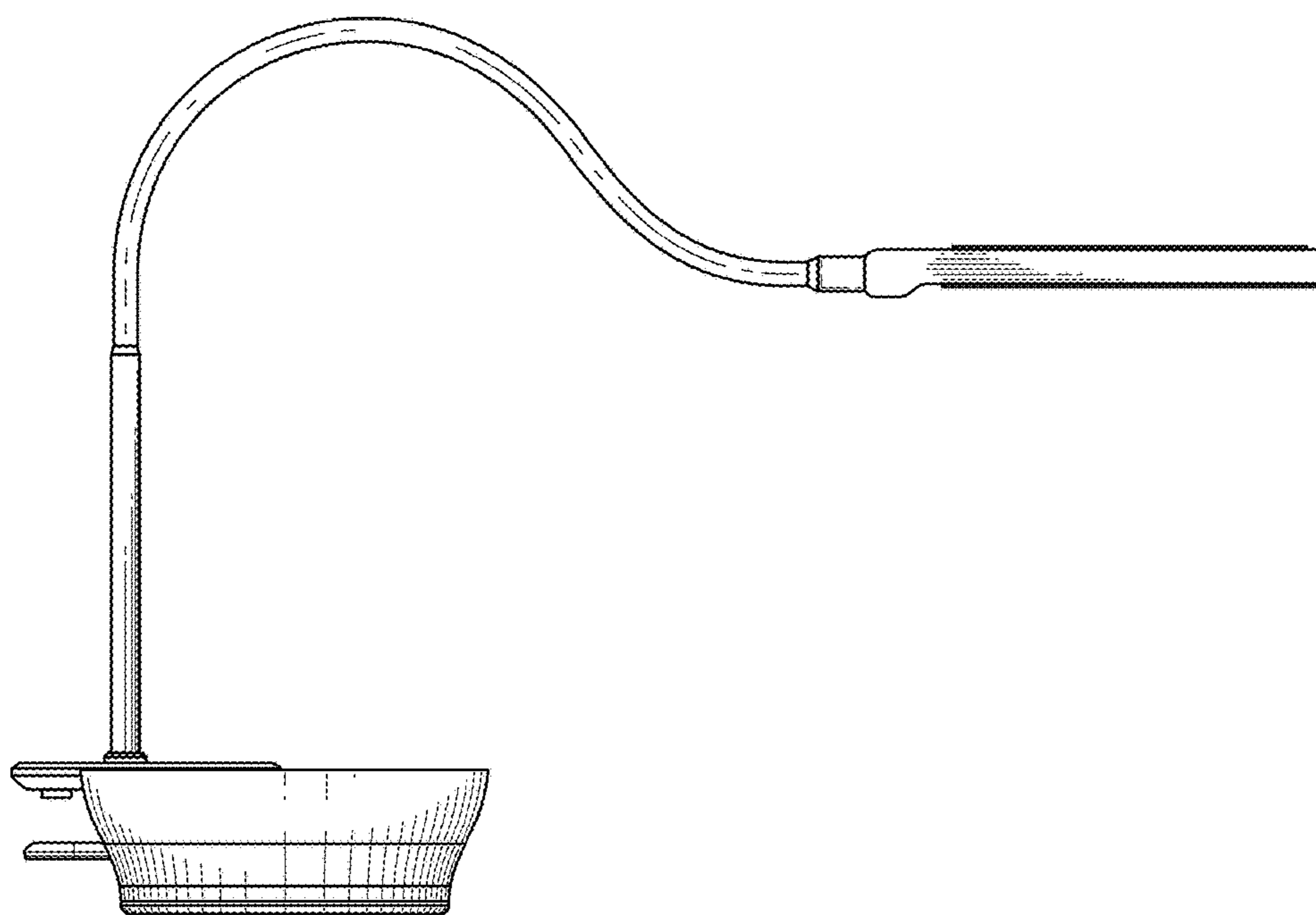


FIG. 5

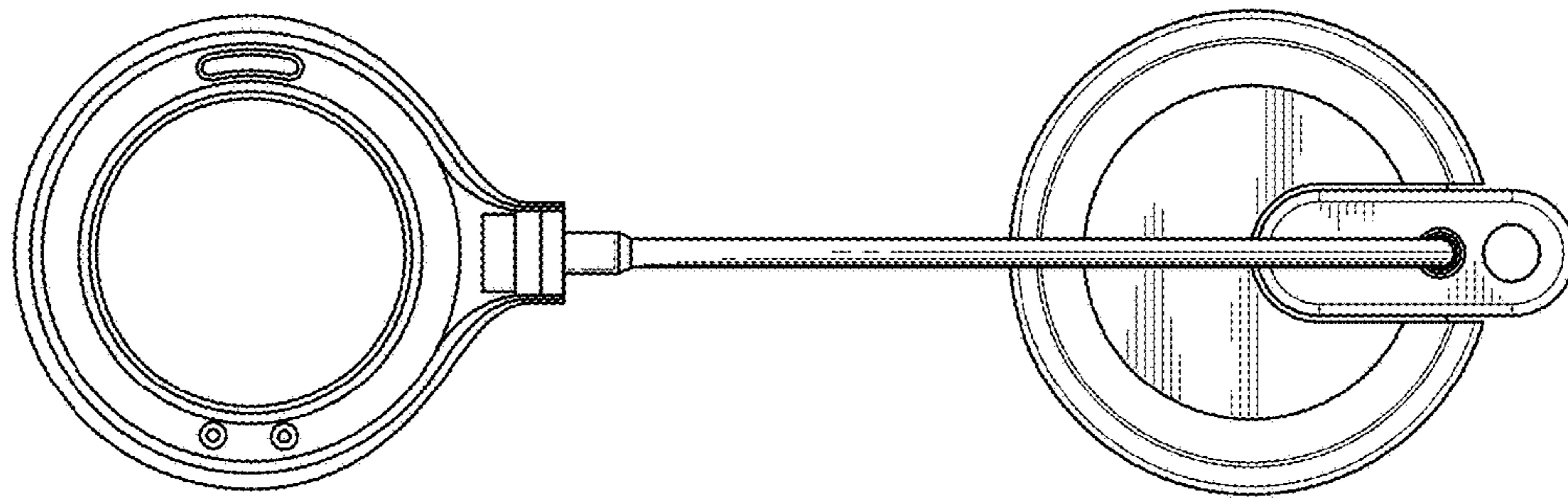


FIG. 6

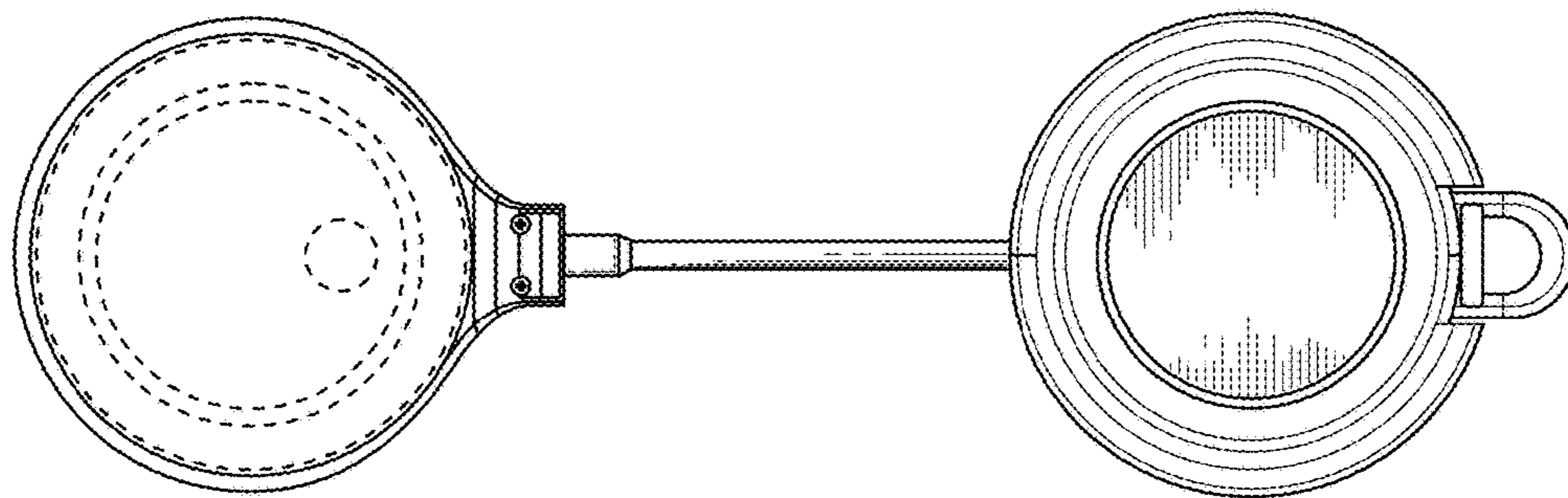


FIG. 7