



US00D835315S

(12) **United States Design Patent** (10) **Patent No.:** **US D835,315 S**
Zhu (45) **Date of Patent:** **** Dec. 4, 2018**

- (54) **WORK LIGHT**
- (71) Applicant: **Ningbo Bright Max Co., Ltd.**, Ningbo, Zhejiang (CN)
- (72) Inventor: **Xuefeng Zhu**, Ningbo (CN)
- (73) Assignee: **Ningbo Bright Max Co., Ltd.** (CN)
- (**) Term: **15 Years**
- (21) Appl. No.: **29/610,321**
- (22) Filed: **Jul. 11, 2017**
- (51) **LOC (11) Cl.** **26-02**
- (52) **U.S. Cl.**
USPC **D26/44; D26/63**
- (58) **Field of Classification Search**
USPC D26/37-51
CPC F21L 2003/00; F21L 4/00; F21L 4/005;
F21L 4/02; F21L 4/025; F21L 4/027;
F21L 4/04; F21L 4/08; F21L 2005/00;
F21L 7/00; F21L 11/00; F21L 13/00;
F21L 13/04; F21L 13/08; F21L 14/02;
F21L 17/00; F21L 19/00; F21L 25/00
See application file for complete search history.

D732,220	S	*	6/2015	Bao	D26/63
D735,387	S	*	7/2015	Bao	D26/63
D738,022	S	*	9/2015	Shen	D26/50
D742,058	S	*	10/2015	Chen	D26/109
D744,139	S	*	11/2015	Itoh	D26/63
D750,307	S	*	2/2016	Borring	D26/63
D754,900	S	*	4/2016	Mumma	D26/60
D779,092	S	*	2/2017	Xu	D26/37
D813,431	S	*	3/2018	Cacciabeve	D26/37
2006/0171145	A1	*	8/2006	Ford	F21L 4/027 362/200

* cited by examiner

Primary Examiner — Lakiya G Rogers
Assistant Examiner — Carissa C Fitts

(57) **CLAIM**

The ornamental design for a work light, as shown and described.

DESCRIPTION

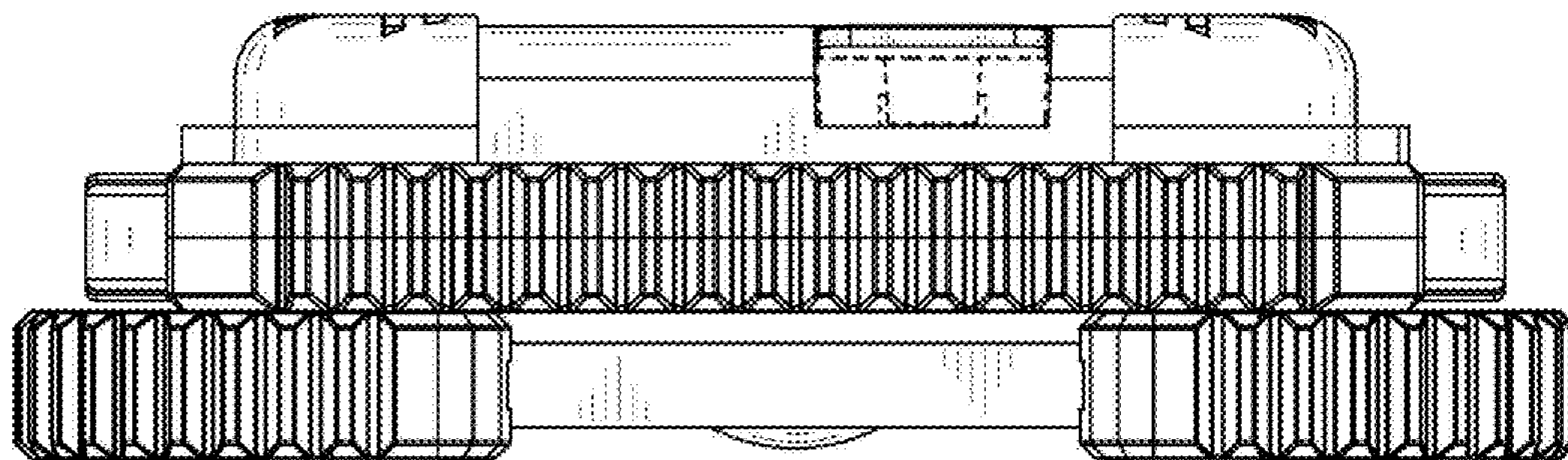
FIG. 1 is a front view of the work light showing our new design;
FIG. 2 is a back view thereof;
FIG. 3 is a left side view thereof;
FIG. 4 is a right side view thereof;
FIG. 5 is a top view thereof;
FIG. 6 is a bottom view thereof;
FIG. 7 is a top perspective view thereof; and,
FIG. 8 is a bottom perspective view thereof.
The broken lines show portions of the article which form no part of the claimed design.

1 Claim, 5 Drawing Sheets

(56) **References Cited**

U.S. PATENT DOCUMENTS

5,720,543	A	*	2/1998	Sheps	F21L 15/02 362/196
D455,854	S	*	4/2002	Smith	D26/37
D553,771	S	*	10/2007	Watson	D26/37
D682,451	S	*	5/2013	Hardy	D26/60
D702,863	S	*	4/2014	Kotsis	D26/37



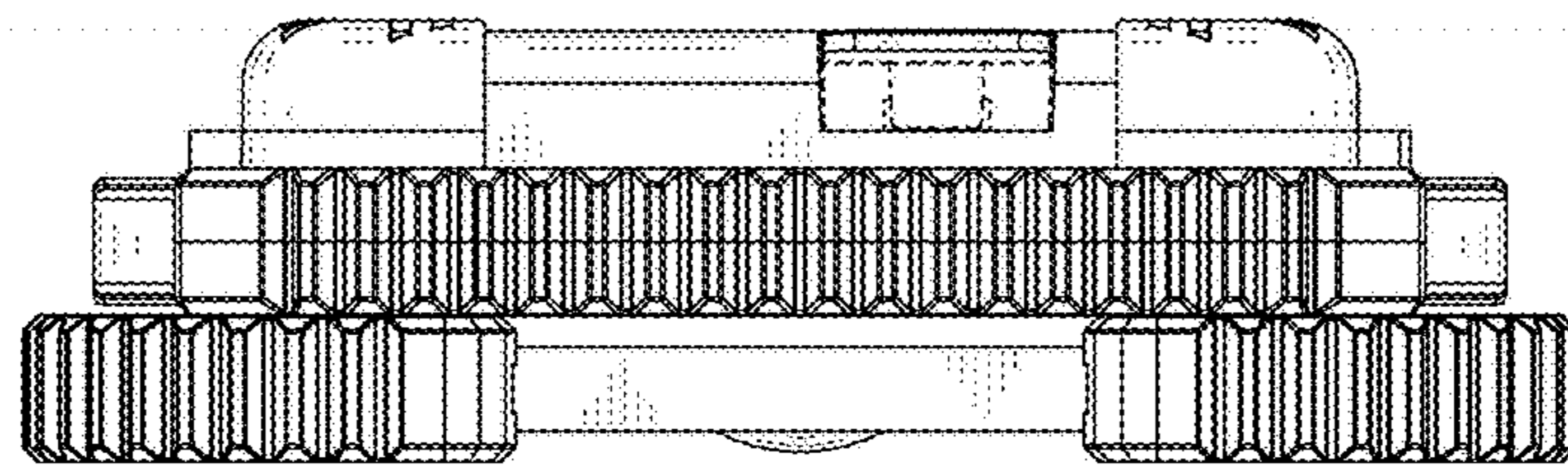


FIG. 1

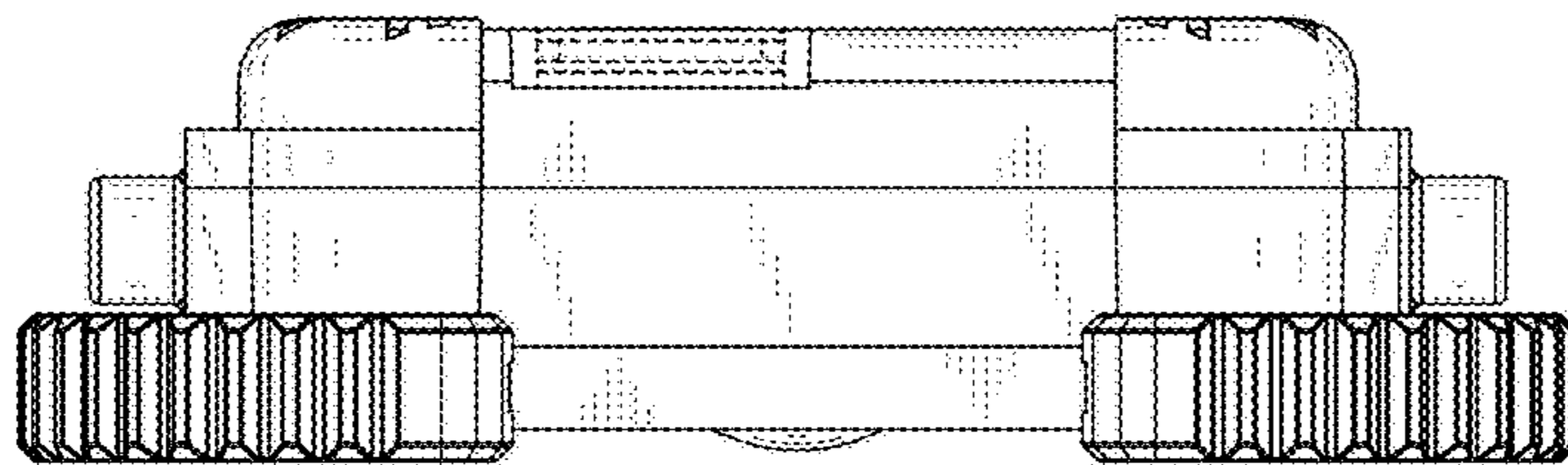


FIG. 2

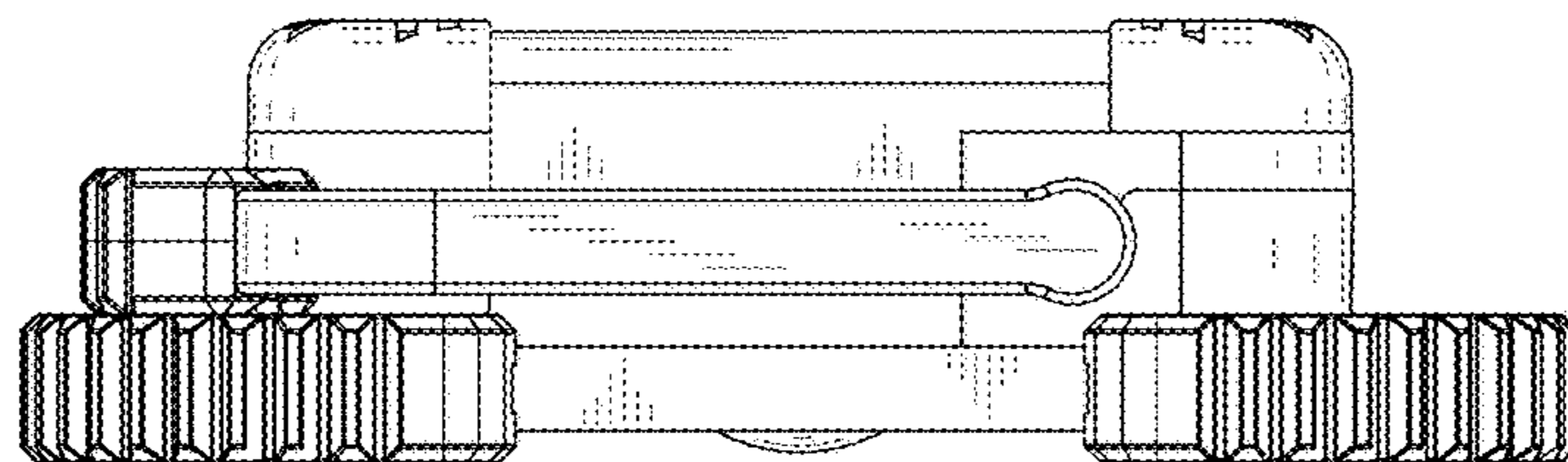


FIG. 3

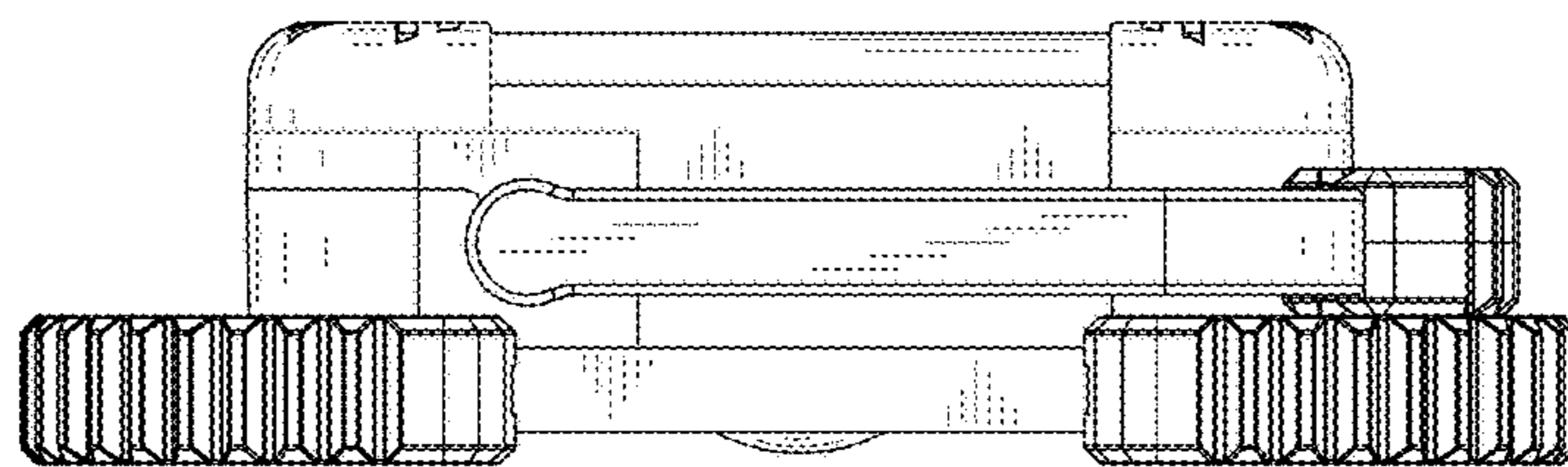


FIG. 4

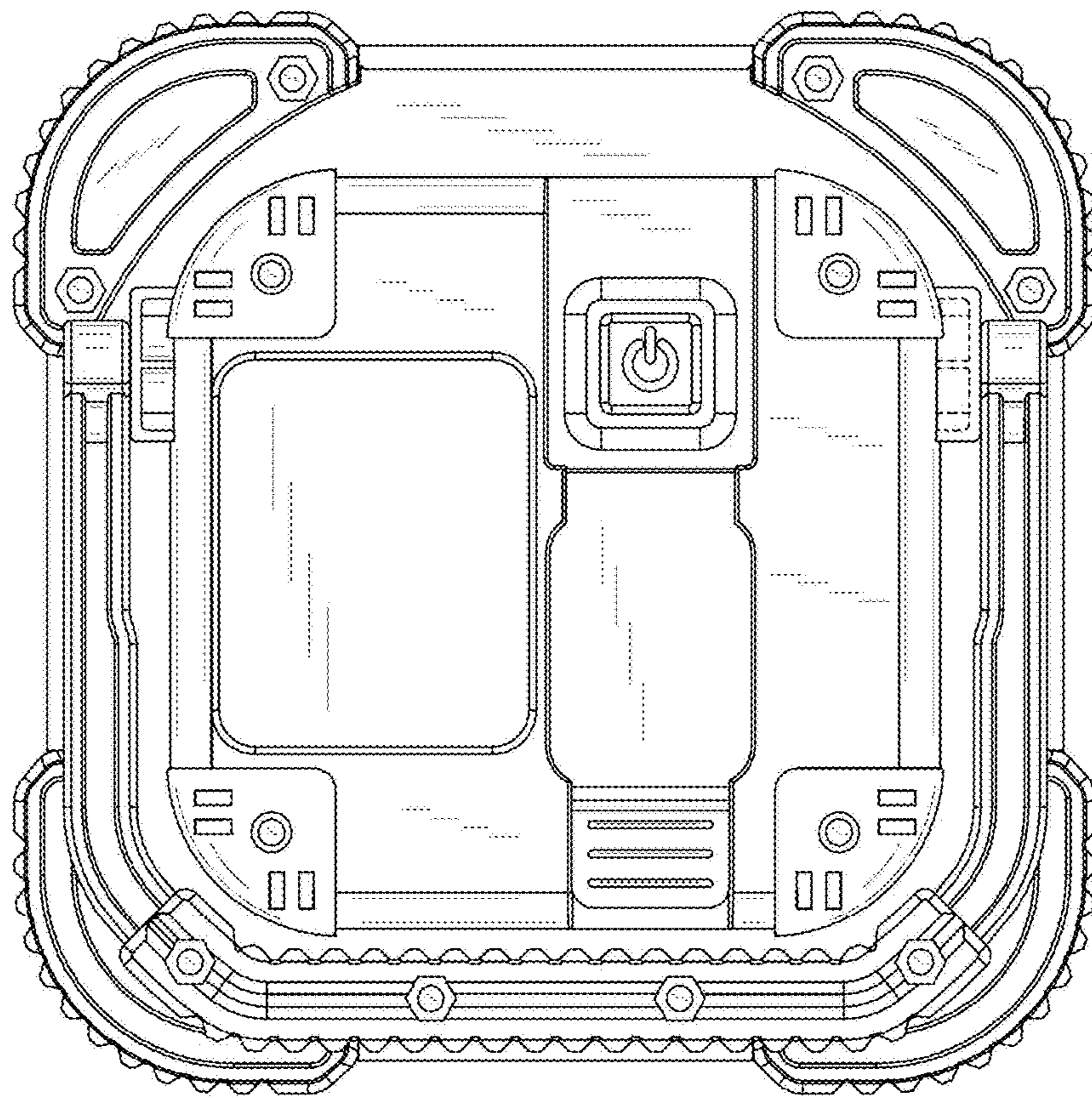


FIG. 5

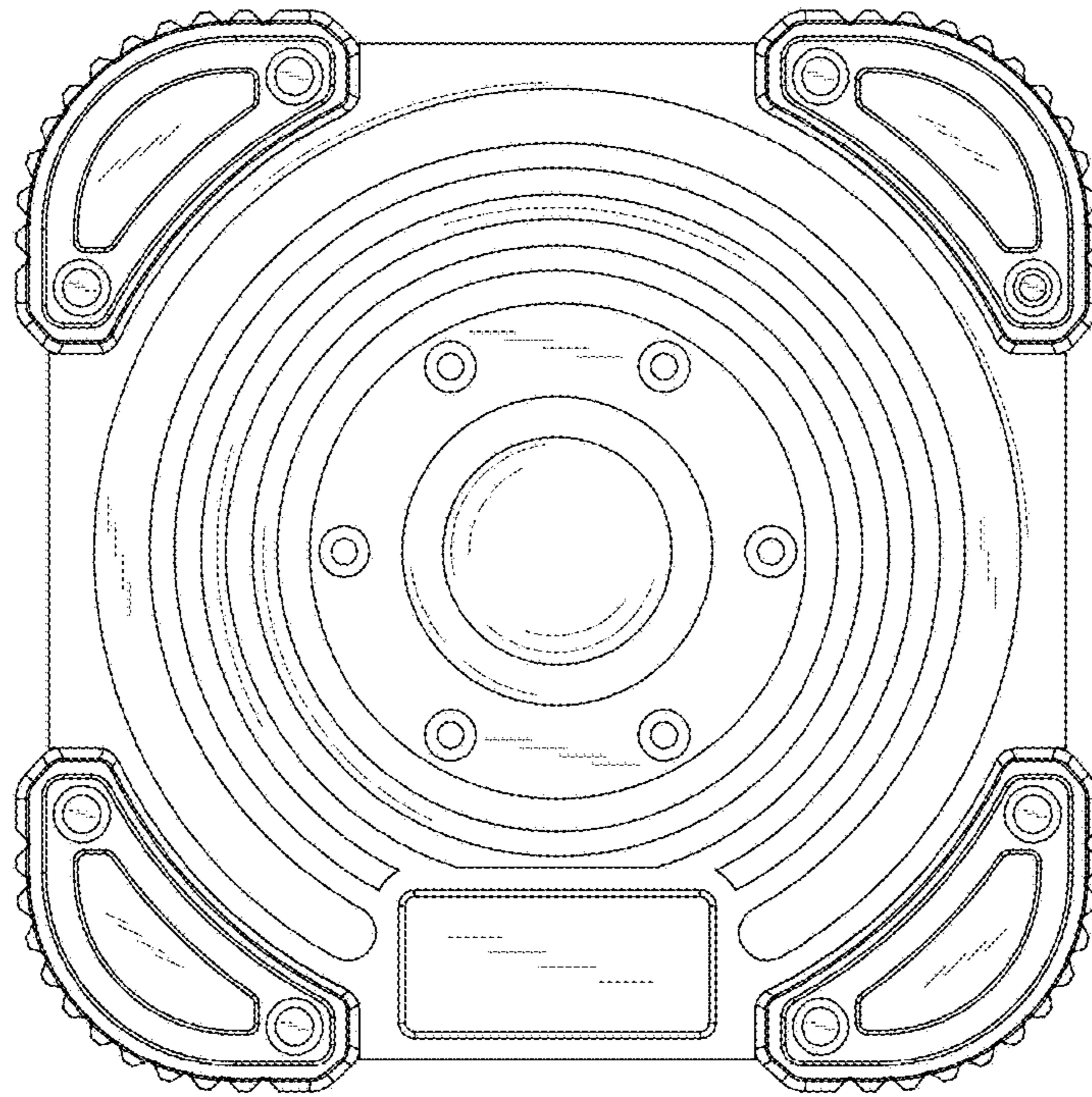


FIG. 6

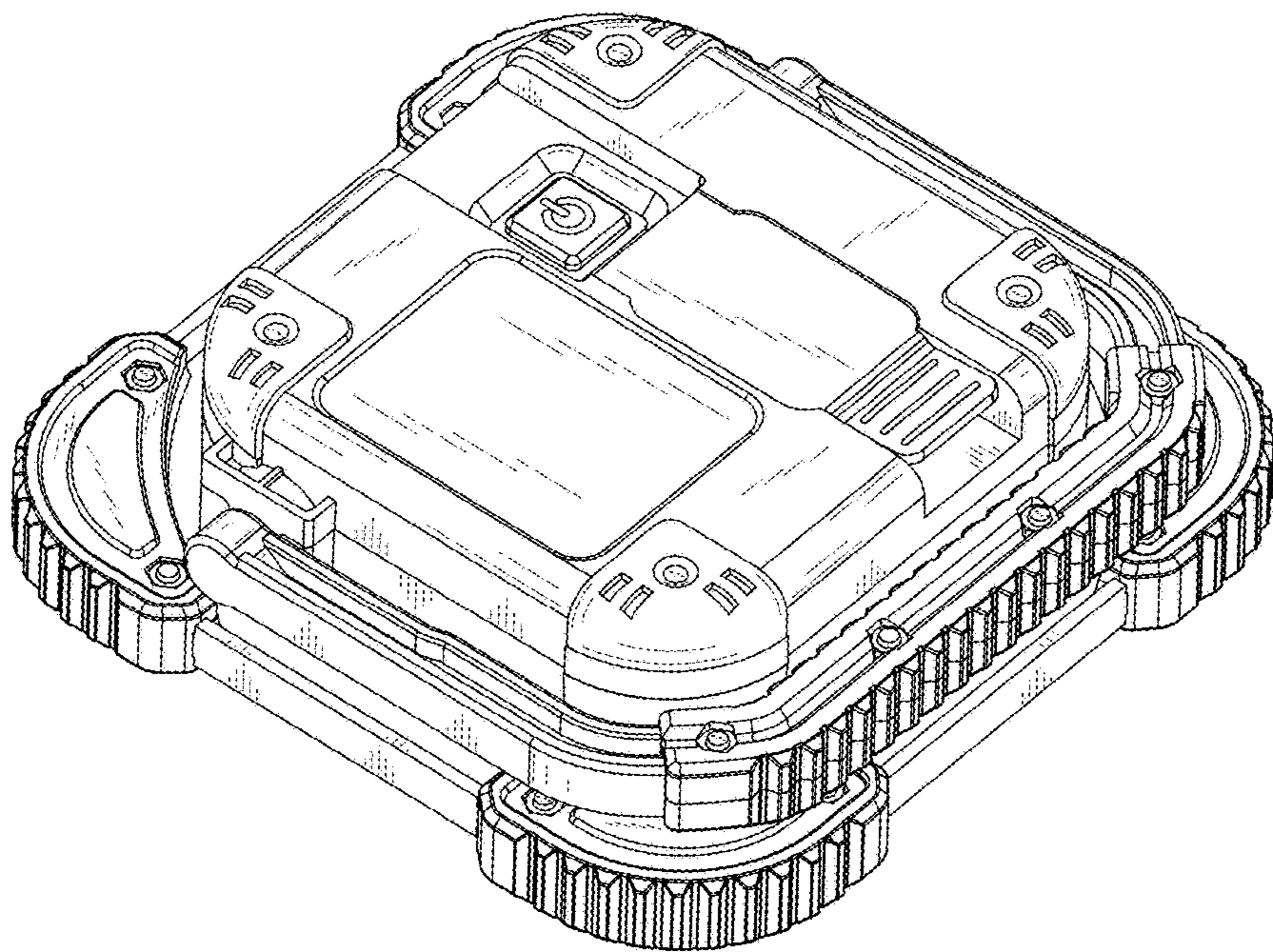


FIG. 7

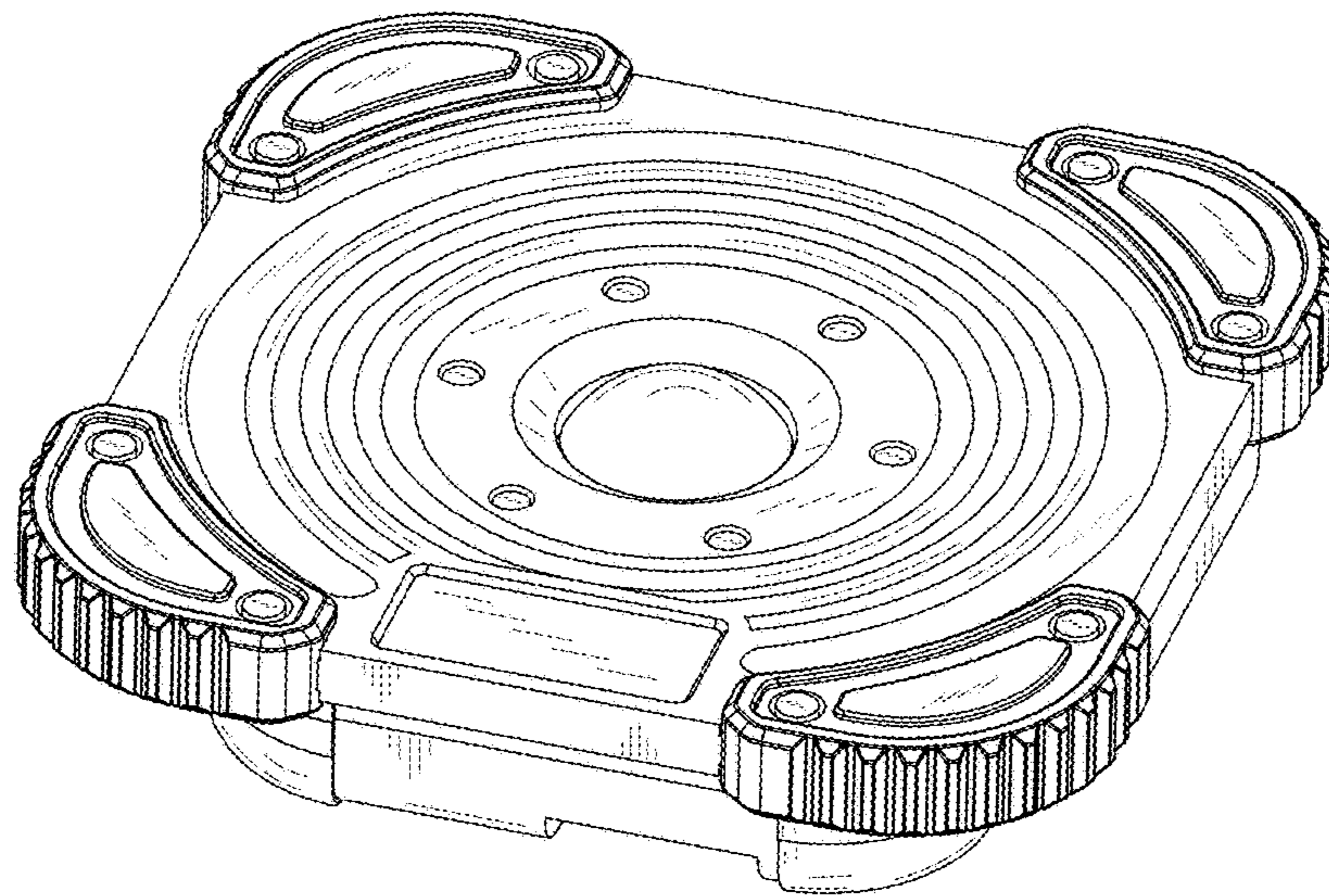


FIG. 8