

US00D835312S

(12) **United States Design Patent**
Yang

(10) **Patent No.:** **US D835,312 S**

(45) **Date of Patent:** **** Dec. 4, 2018**

(54) **VEHICLE TAILLIGHT**

(71) Applicant: **SONAR AUTO PARTS CO., LTD.**,
New Taipei (TW)

(72) Inventor: **Hsiu-Pen Yang**, New Taipei (TW)

(73) Assignee: **SONAR AUTO PARTS CO., LTD.**,
New Taipei (TW)

(**) Term: **15 Years**

(21) Appl. No.: **29/626,269**

(22) Filed: **Nov. 15, 2017**

(51) **LOC (11) Cl.** **26-06**

(52) **U.S. Cl.**
USPC **D26/28**

(58) **Field of Classification Search**
USPC D26/28-36; 362/80-83, 267-269,
362/459-468, 475-478, 485-487
CPC F21S 48/00; F21S 48/10; F21S 48/115;
F21S 48/225; F21S 48/1233; F21S
48/1266; F21S 48/1388; F21S 48/2268;
F21V 21/04
See application file for complete search history.

(56) **References Cited**

U.S. PATENT DOCUMENTS

D592,336 S * 5/2009 Hsu D26/28
D631,177 S * 1/2011 Yang D26/28

D637,320 S * 5/2011 Yang D26/28
D731,099 S * 6/2015 Thole D26/28
D743,064 S * 11/2015 Lai D26/28
D749,246 S * 2/2016 Thole D26/28
D775,384 S * 12/2016 Lin D26/28
D775,385 S * 12/2016 Lin D26/28

* cited by examiner

Primary Examiner — Marcus Jackson

(74) *Attorney, Agent, or Firm* — Li & Cai Intellectual
Property (USA) Office

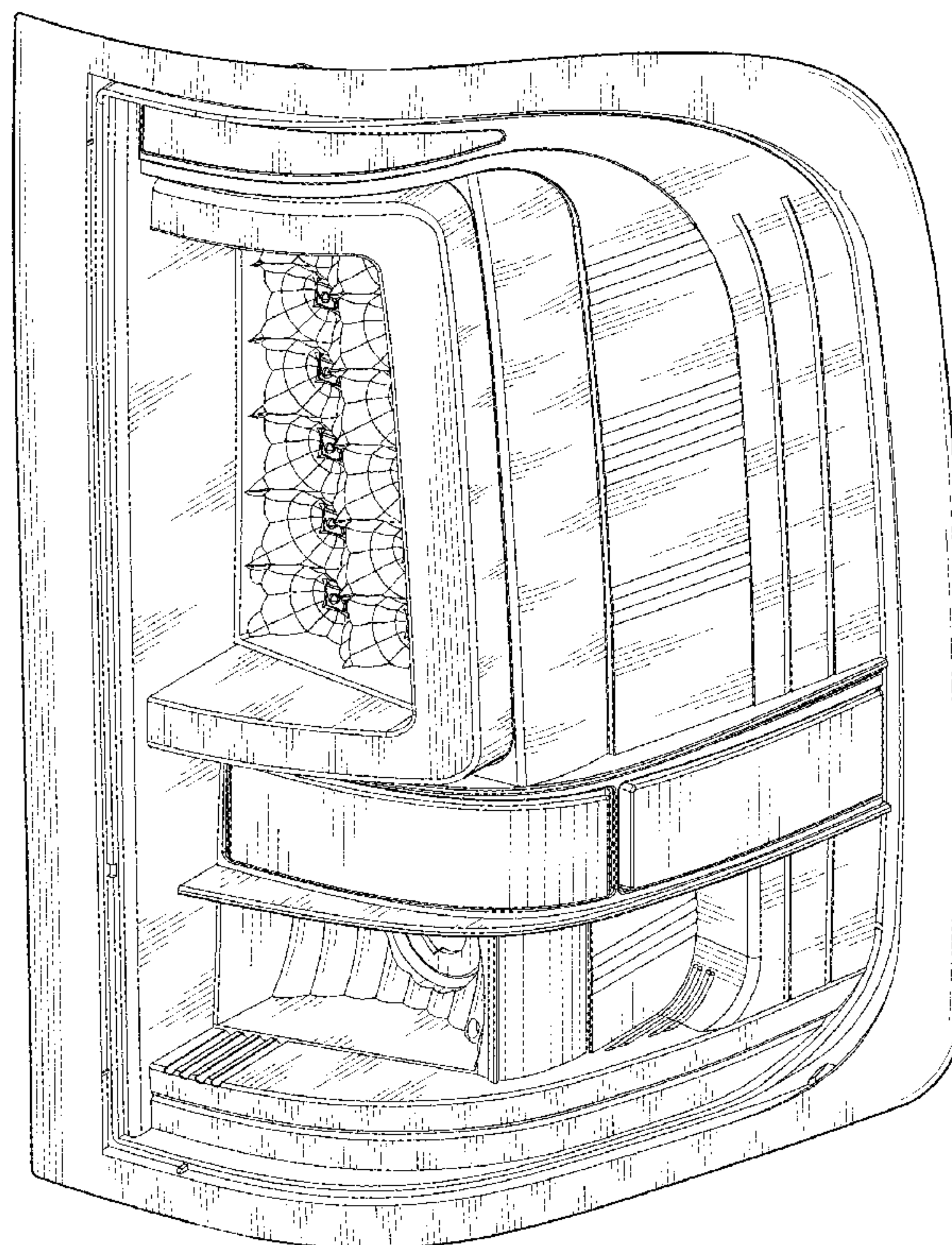
(57) **CLAIM**

The ornamental design for a “vehicle taillight,” as shown
and described.

DESCRIPTION

FIG. 1 is a top and right perspective view of a vehicle
taillight showing my new design;
FIG. 2 is a front elevational view thereof;
FIG. 3 is a rear elevational view thereof;
FIG. 4 is a left side elevational view thereof;
FIG. 5 is a right side elevational view thereof;
FIG. 6 is a top plan view thereof;
FIG. 7 is a bottom plan view thereof; and,
FIG. 8 is a bottom and left perspective view thereof.
The portions in broken lines are shown for illustrative
purposes only and form no part of the claimed design.

1 Claim, 8 Drawing Sheets



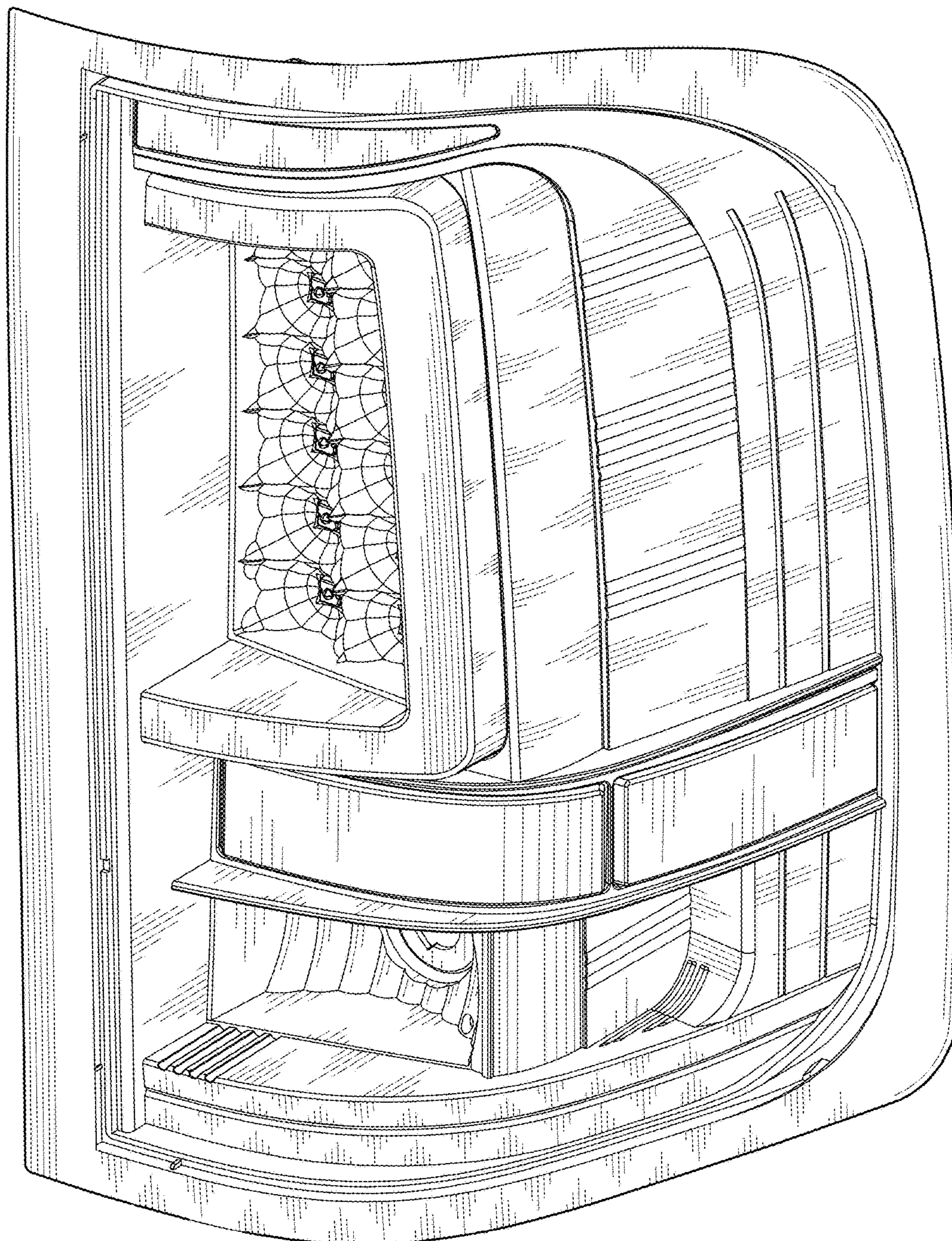


FIG. 1

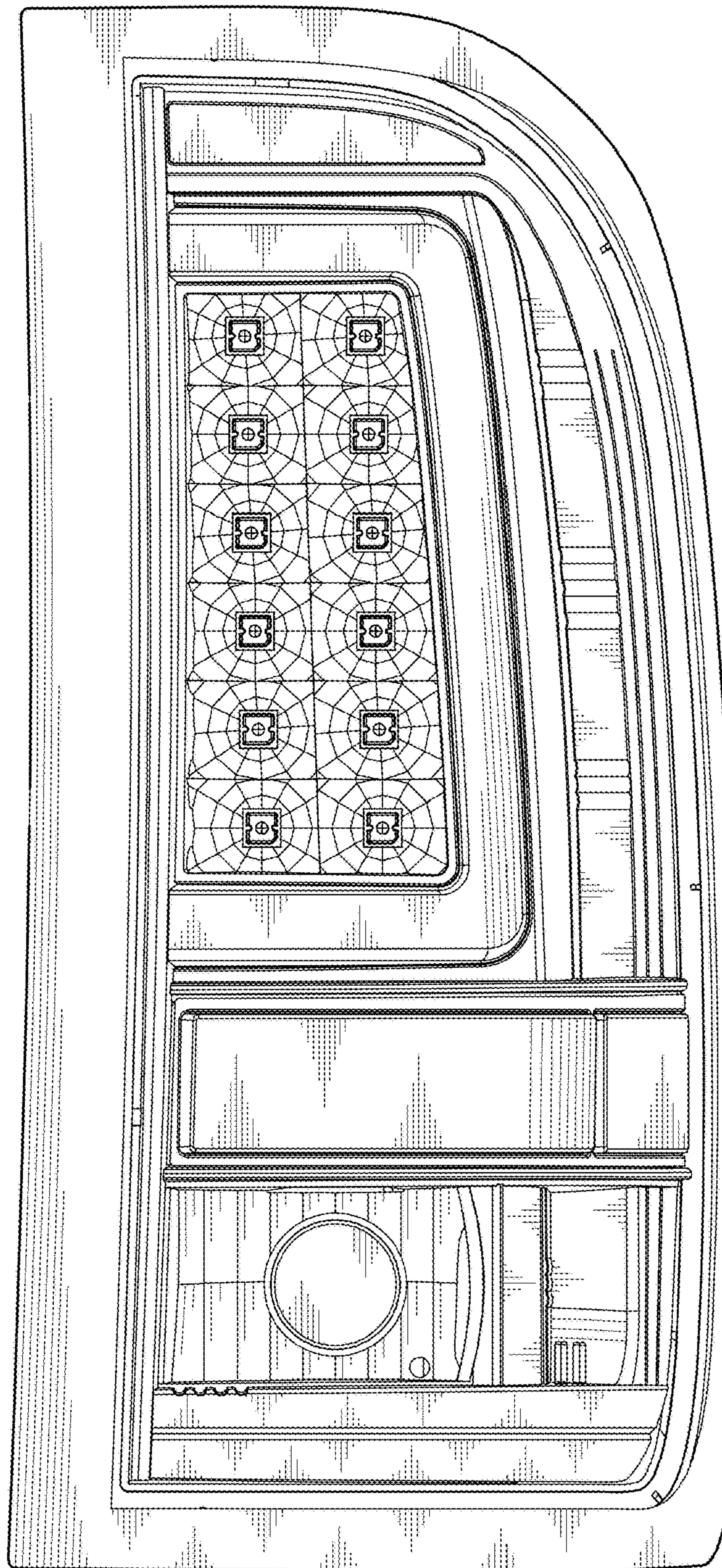


FIG. 2

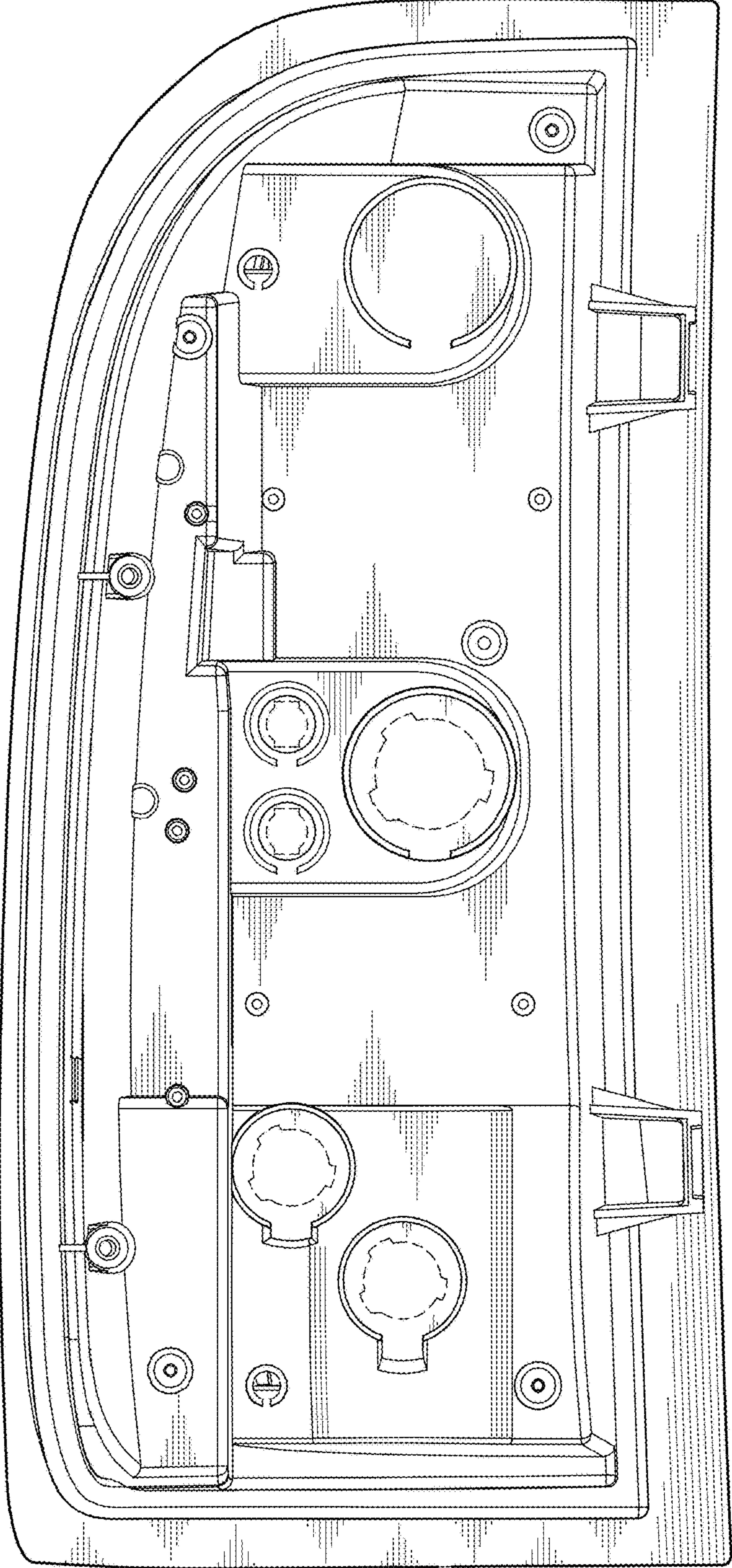


FIG. 3

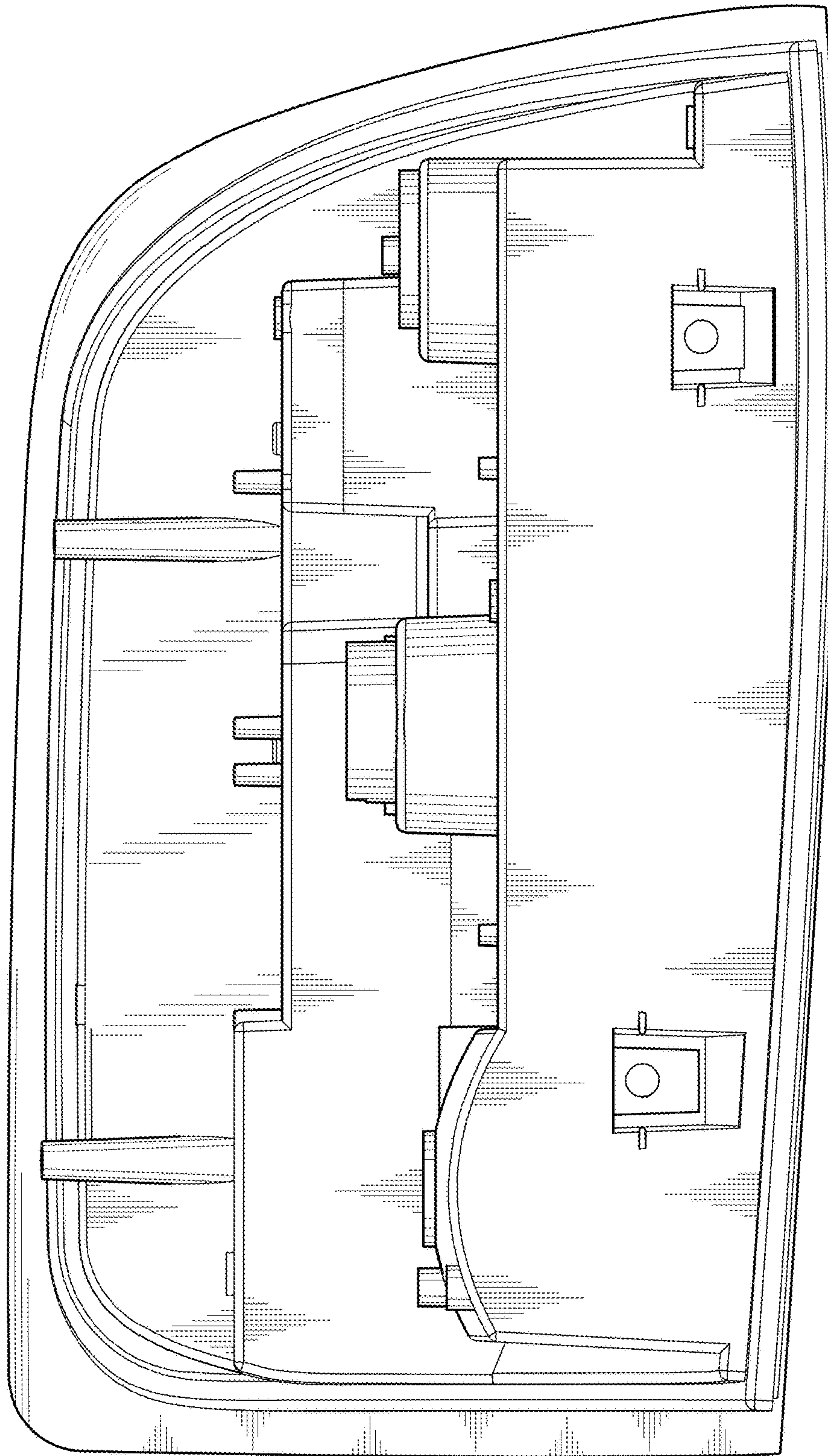


FIG. 4

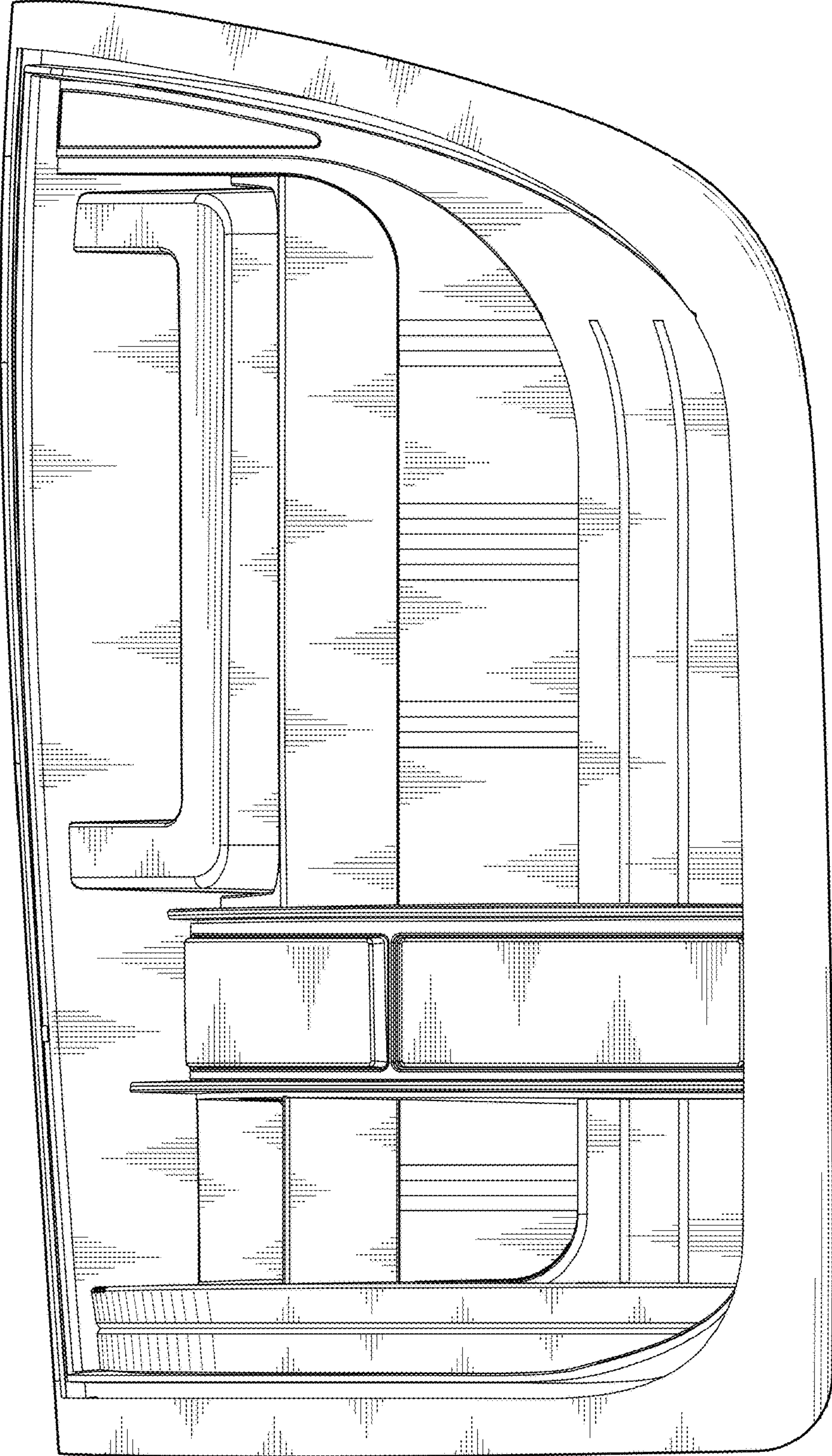


FIG. 5

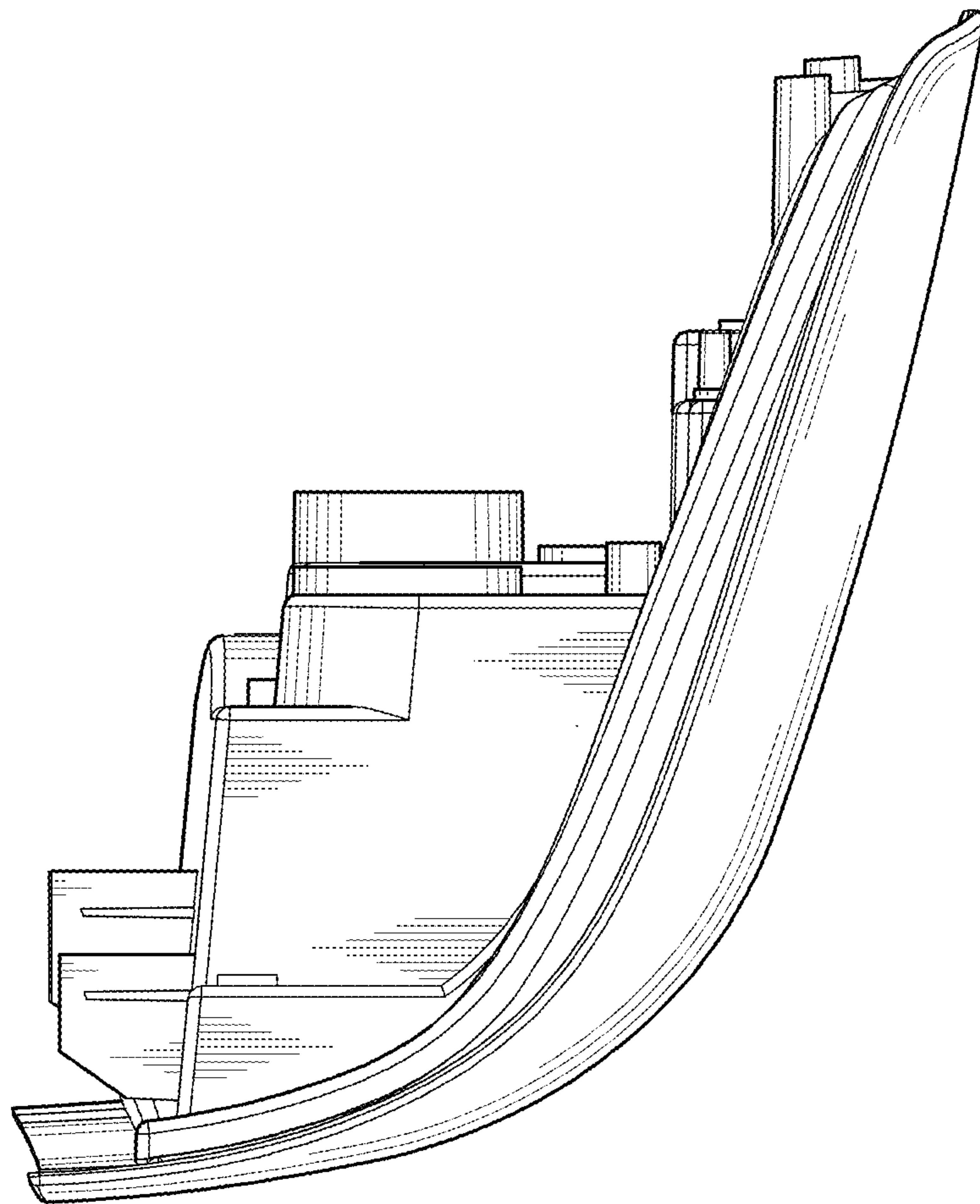


FIG. 6

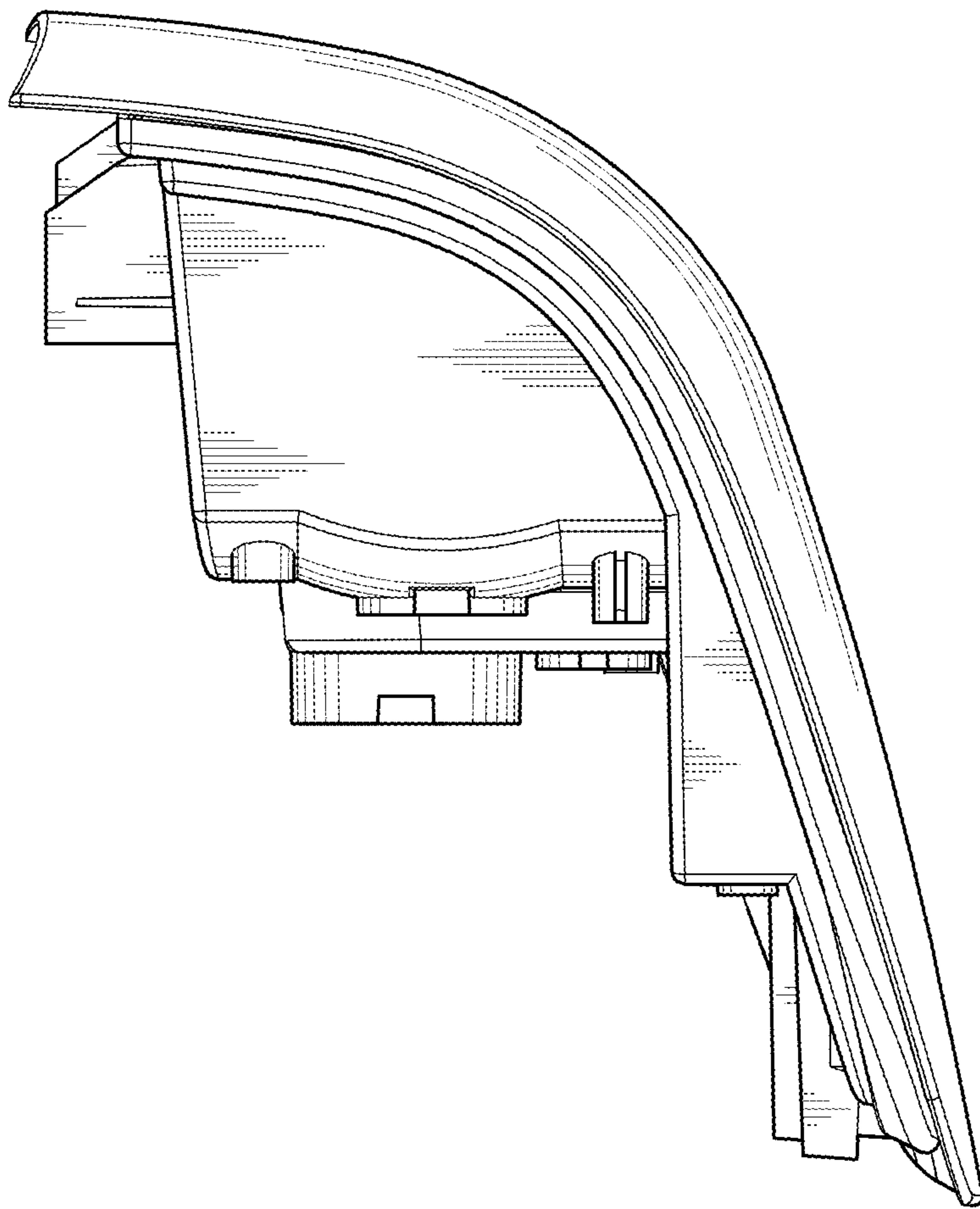


FIG. 7

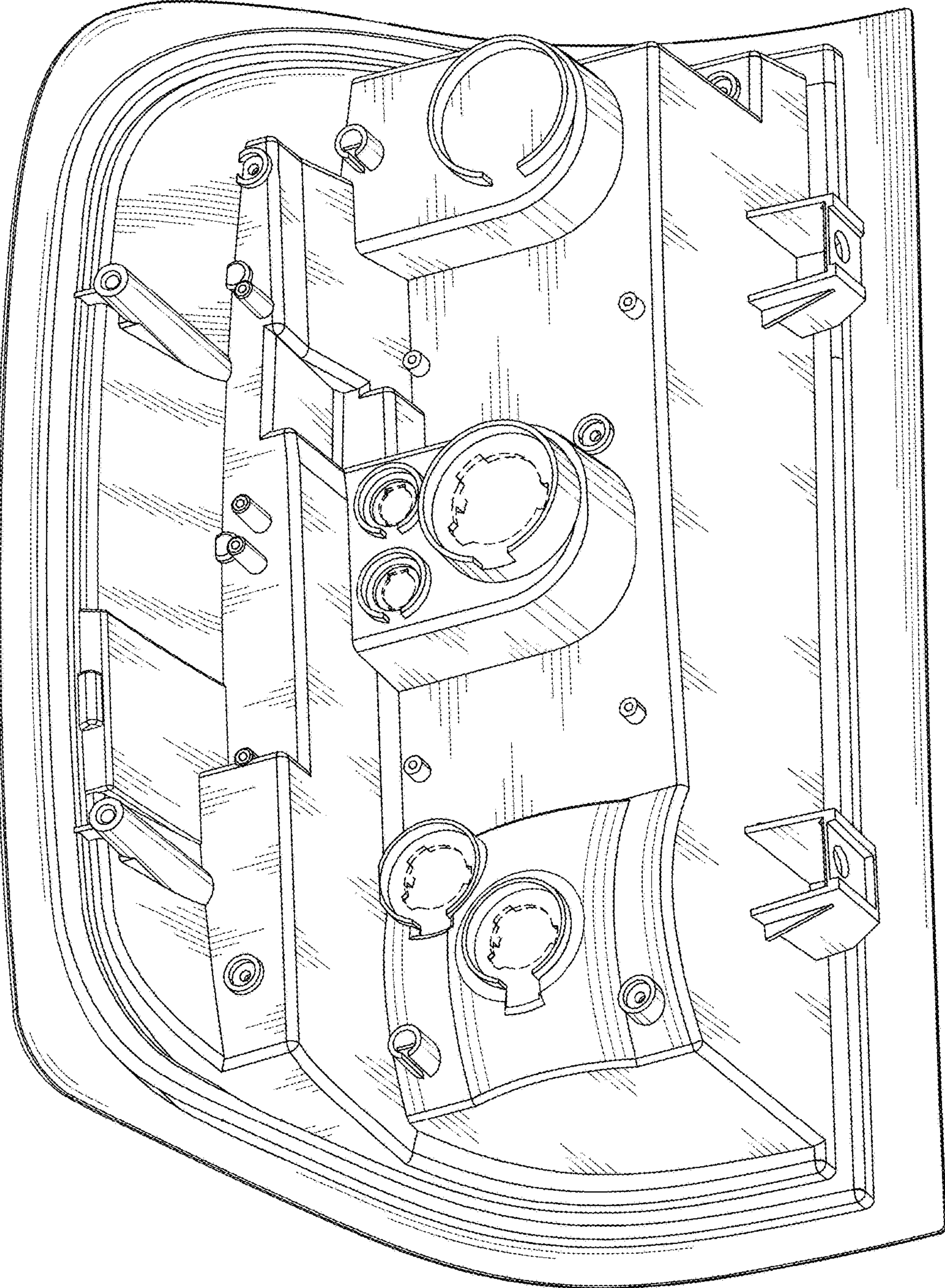


FIG. 8