



US00D835311S

(12) **United States Design Patent** (10) **Patent No.:** **US D835,311 S**
Thomas (45) **Date of Patent:** **** Dec. 4, 2018**

(54) **DAYLIGHT RUNNING LIGHT ARRANGEMENT FOR A TAIL LIGHT**

(74) *Attorney, Agent, or Firm* — Wood Herron & Evans LLP

(71) Applicant: **Jaguar Land Rover Limited**, Whitley, Coventry (GB)

(57) **CLAIM**

The ornamental design for a daylight running light arrangement for a tail light, as shown and described.

(72) Inventor: **Gareth Thomas**, Coventry (GB)

DESCRIPTION

(73) Assignee: **Jaguar Land Rover Limited**, Whitley, Coventry (GB)

(**) Term: **15 Years**

(21) Appl. No.: **29/622,762**

(22) Filed: **Oct. 19, 2017**

(30) **Foreign Application Priority Data**

Apr. 21, 2017 (EM) 003866797

(51) **LOC (11) Cl.** **26-06**

(52) **U.S. Cl.**
USPC **D26/28**

(58) **Field of Classification Search**
USPC D26/28–36; 362/80–83, 267–269,
362/459–468, 475–478, 485–487
CPC F21S 48/00; F21S 48/10; F21S 48/115;
F21S 48/225; F21S 48/1233; F21S
48/1266; F21S 48/1388; F21S 48/2268;
F21V 21/04

See application file for complete search history.

(56) **References Cited**

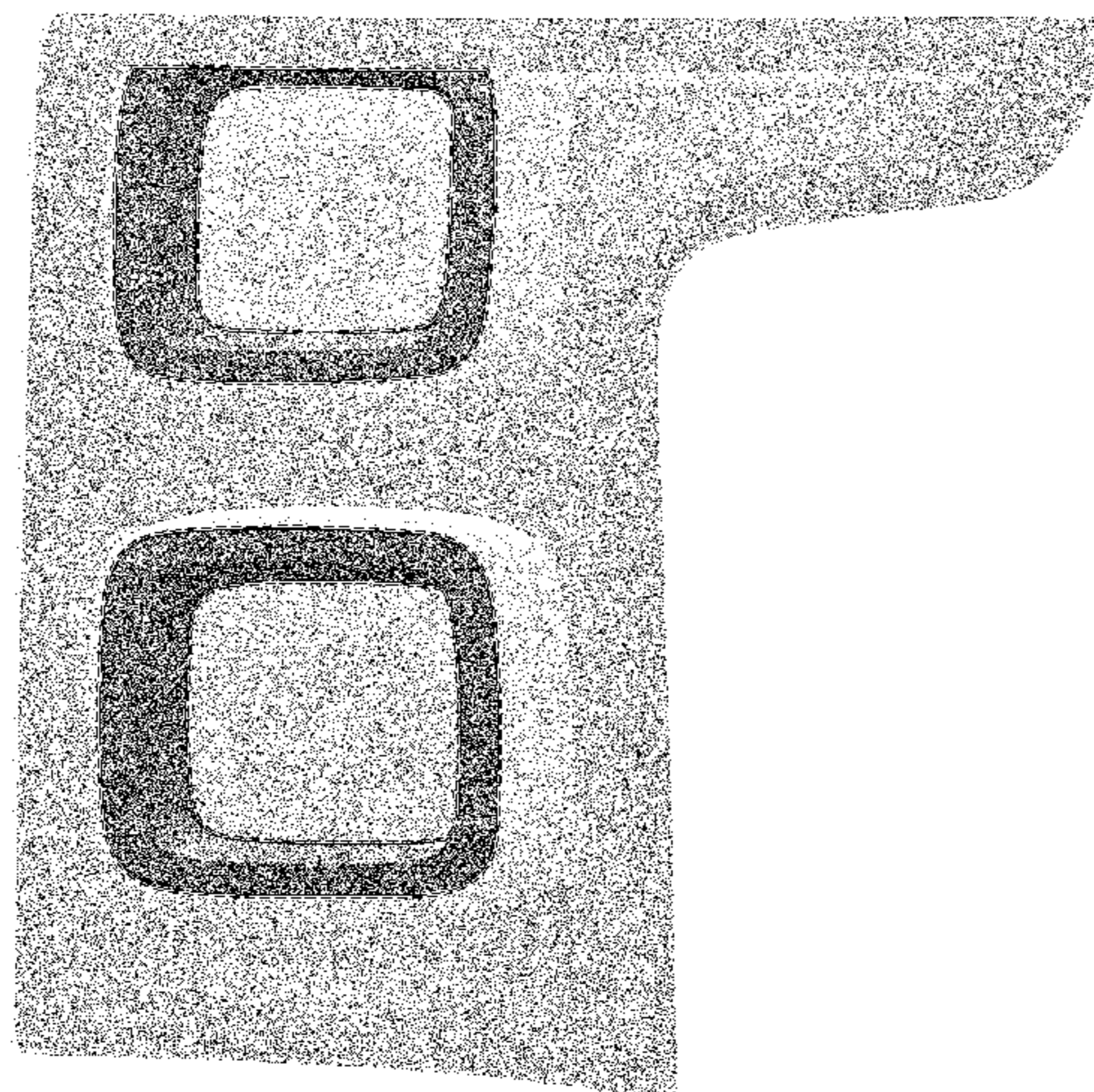
U.S. PATENT DOCUMENTS

D586,020 S * 2/2009 Hsu D26/28
D586,023 S * 2/2009 Hsu D26/28
D674,939 S * 1/2013 Lai D26/28
D705,962 S * 5/2014 Hildebrand D26/28

(Continued)

Primary Examiner — Marcus Jackson

1 Claim, 7 Drawing Sheets



(56)

References Cited

U.S. PATENT DOCUMENTS

D708,770 S * 7/2014 Lai D26/28
D714,982 S * 10/2014 Lai D26/28

* cited by examiner

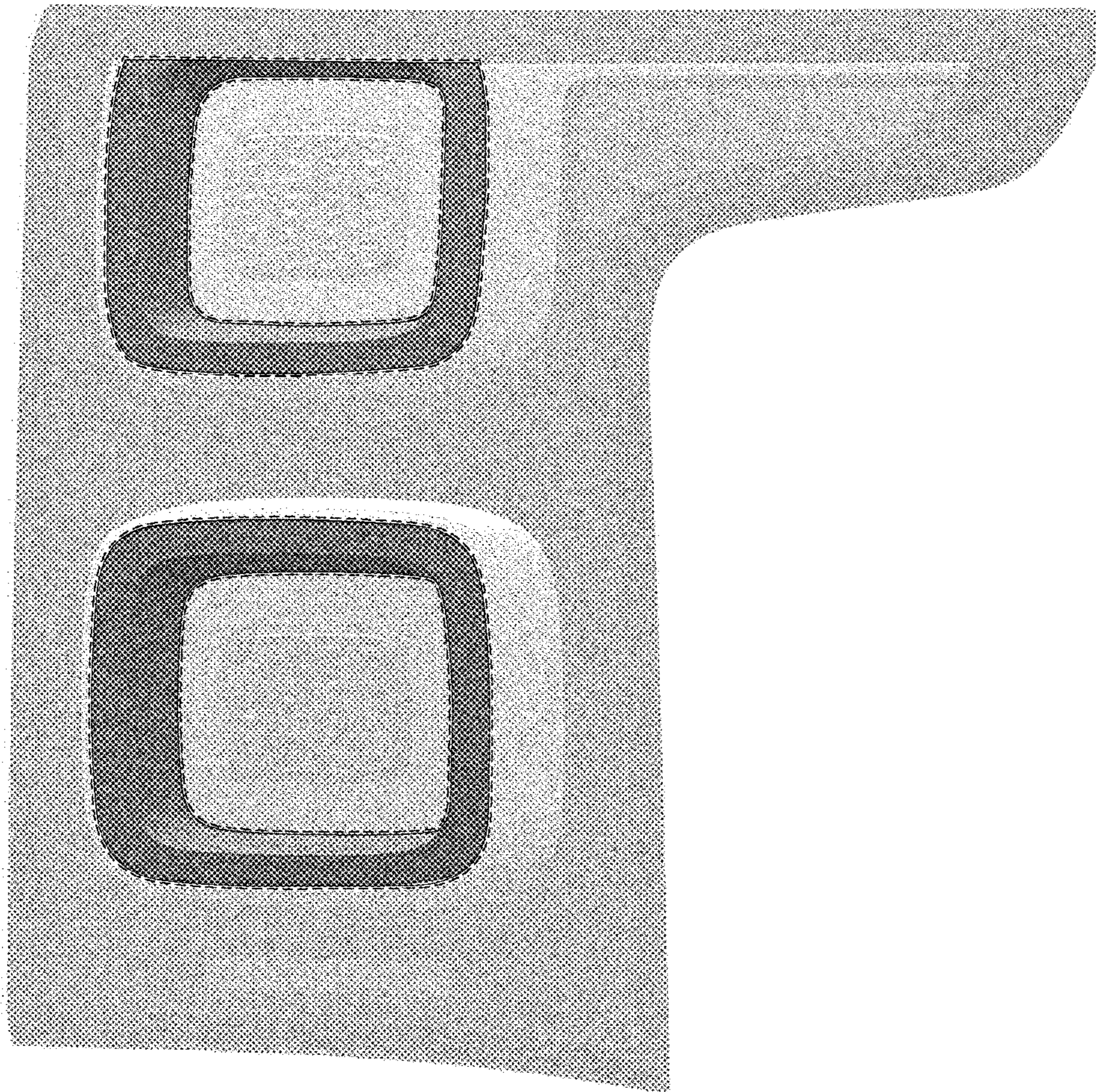


FIG. 1

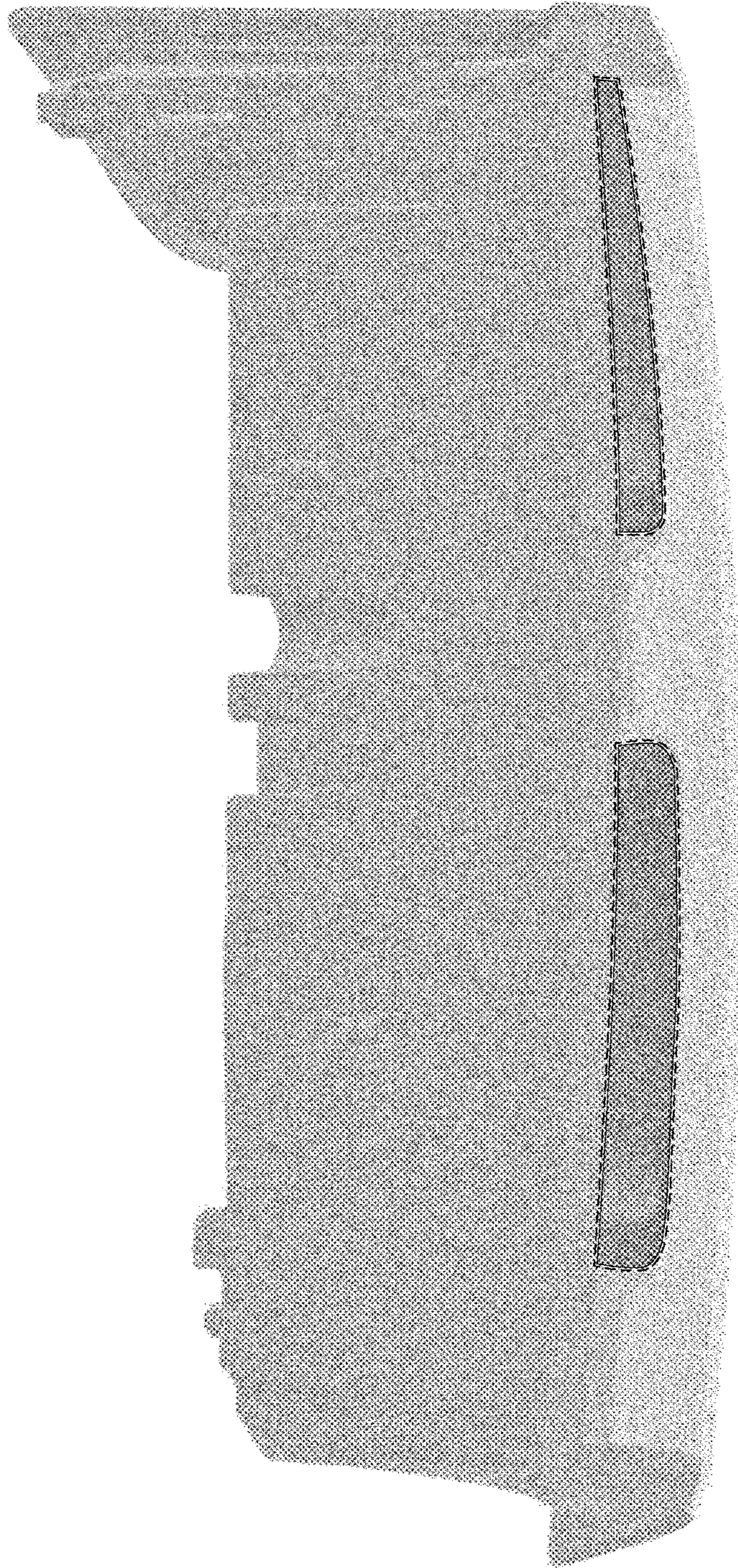


FIG. 2

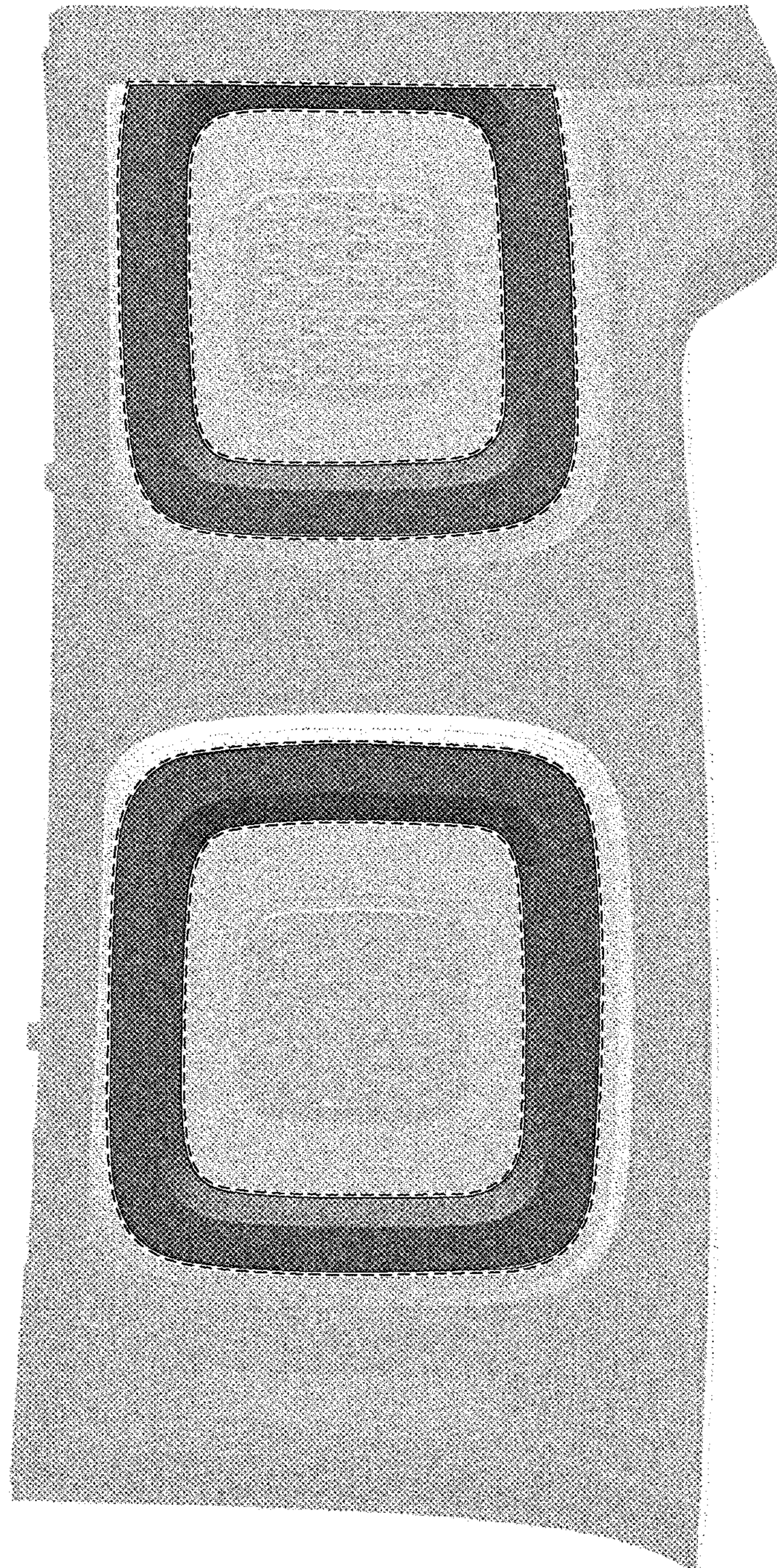


FIG. 3

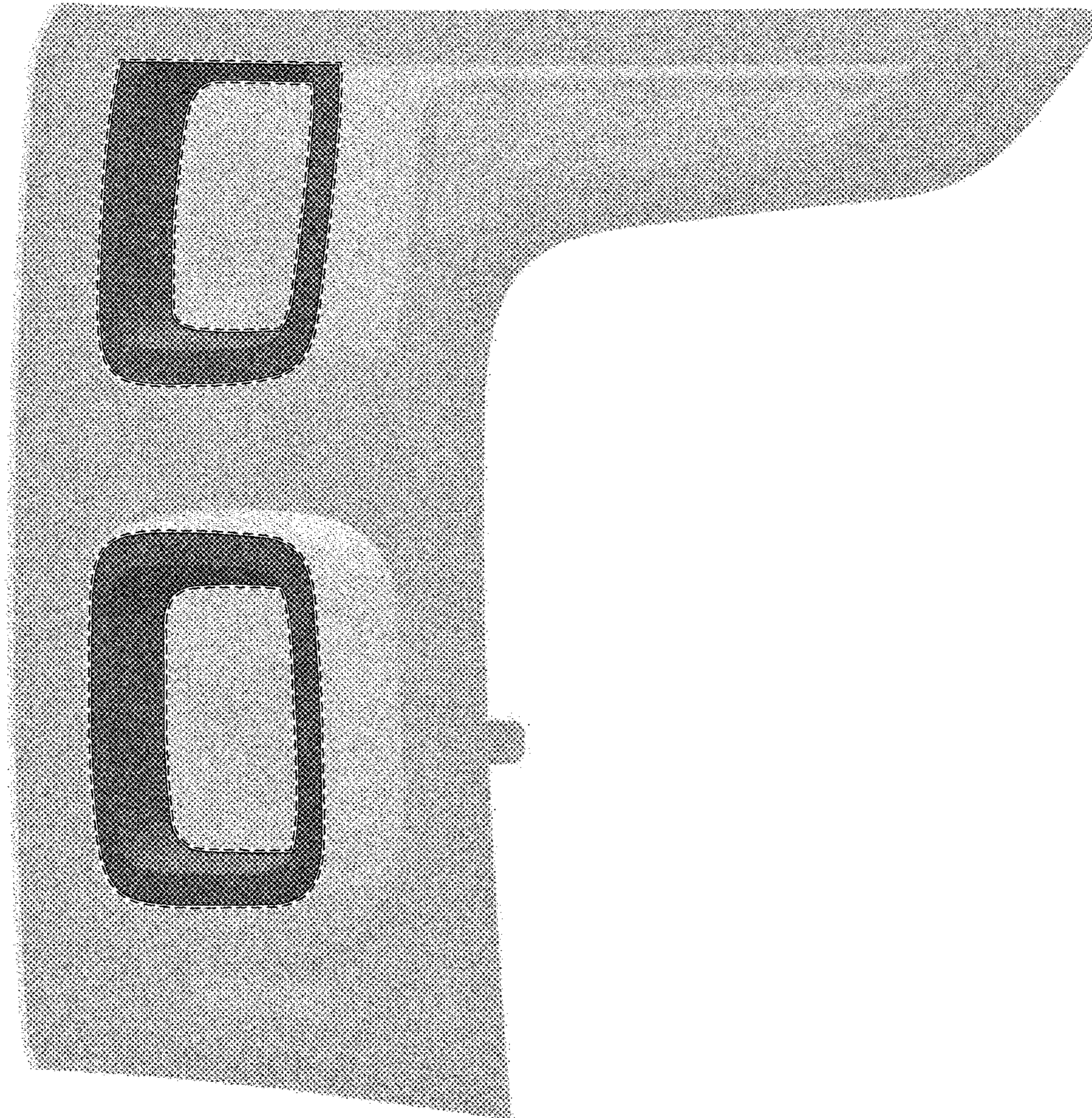


FIG. 4

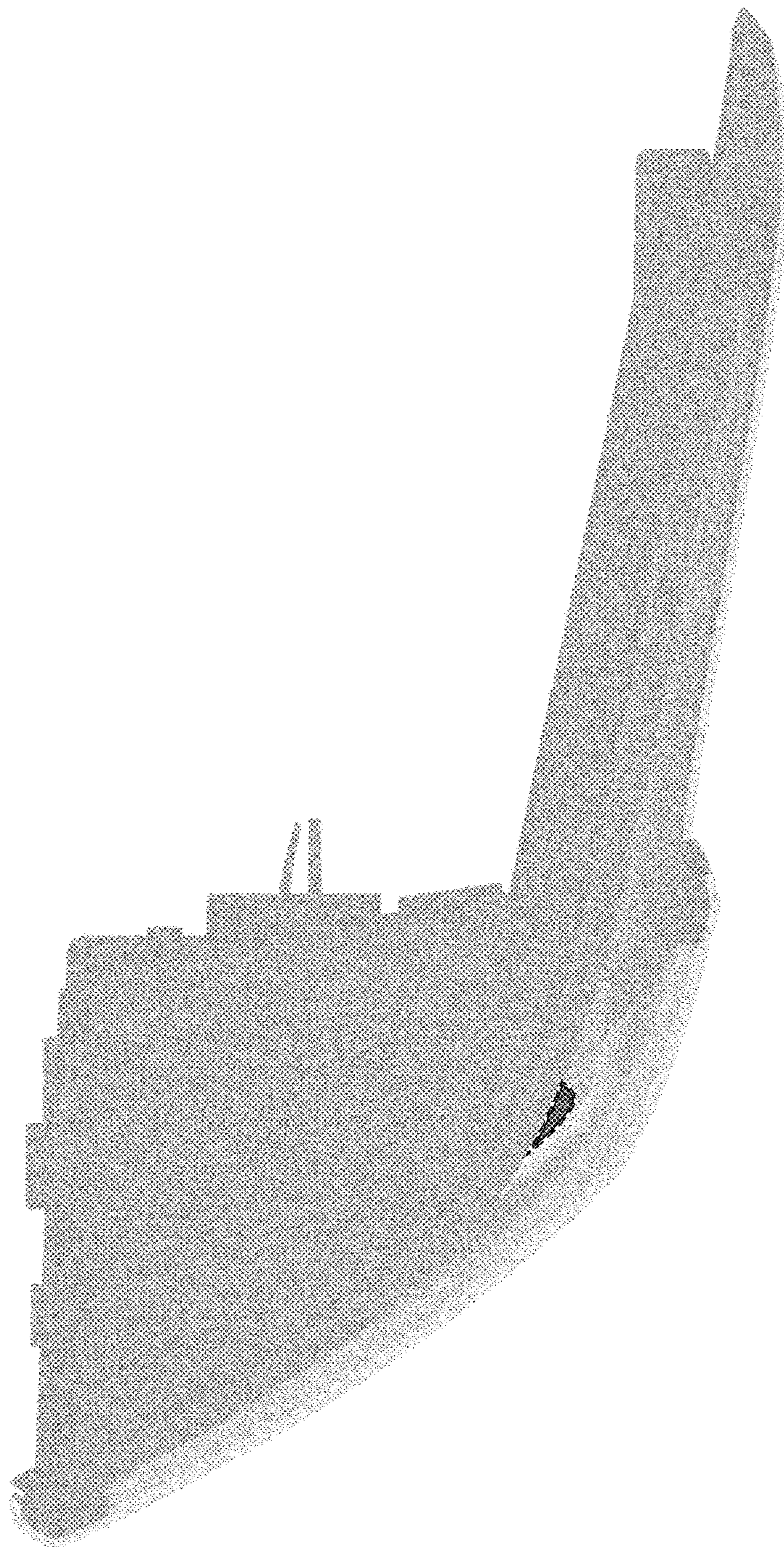


FIG. 5

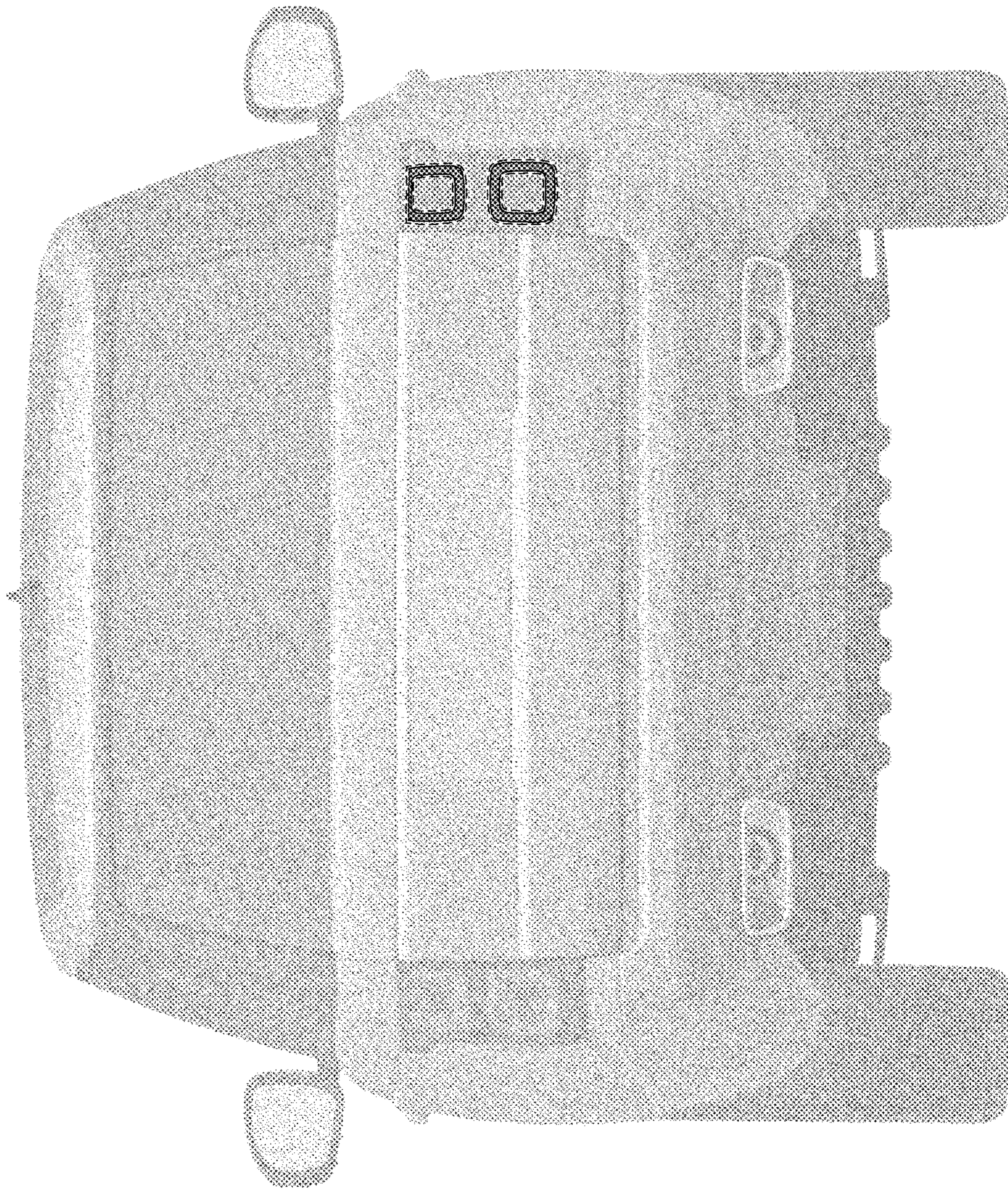


FIG. 6

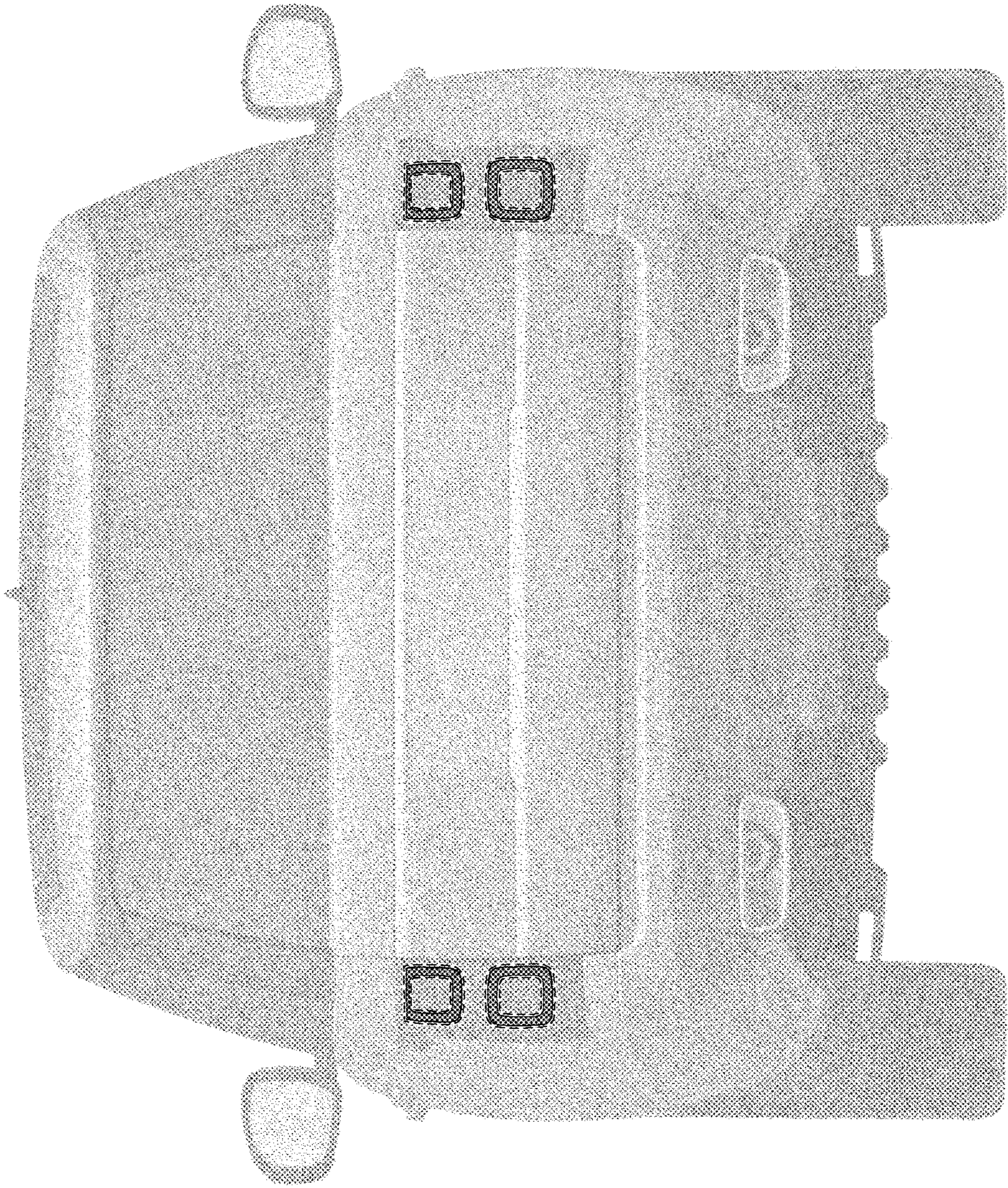


FIG. 7

UNITED STATES PATENT AND TRADEMARK OFFICE
CERTIFICATE OF CORRECTION

PATENT NO. : D835,311 S
APPLICATION NO. : 29/622762
DATED : December 4, 2018
INVENTOR(S) : Gareth Thomas

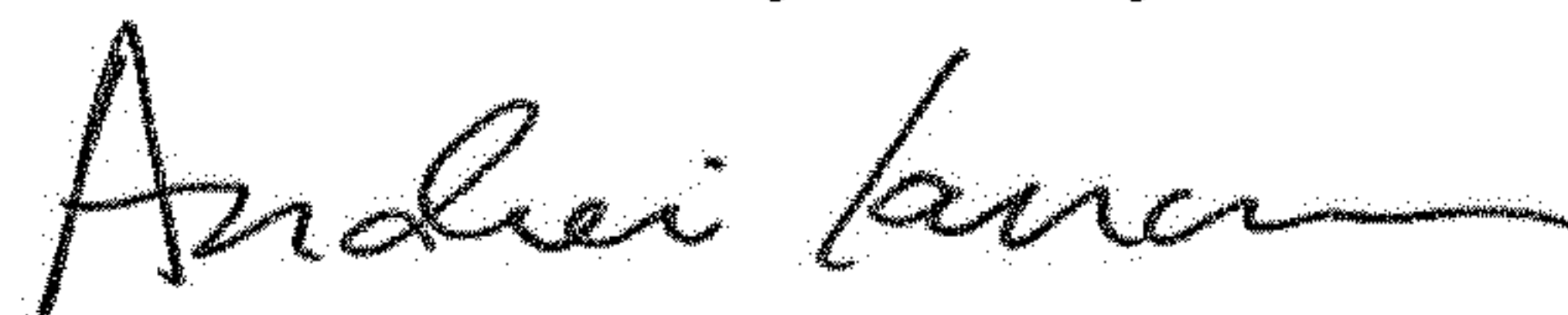
Page 1 of 1

It is certified that error appears in the above-identified patent and that said Letters Patent is hereby corrected as shown below:

On the Title Page

Column 2, Line 14, under Description, "More particularly, in FIG. 6, the inventive daylight running light arrangement is shown within the broken lines, and the rest of the elements line form no part of the claimed invention, but are instead included to show environmental aspects thereof; and," should read --More particularly, in FIG. 6, the inventive daylight running light arrangement is shown within the broken lines, and the rest of the elements form no part of the claimed invention, but are instead included to show environmental aspects thereof; and,--.

Signed and Sealed this
Sixteenth Day of July, 2019



Andrei Iancu
Director of the United States Patent and Trademark Office