



US00D835308S

(12) **United States Design Patent** (10) **Patent No.:** **US D835,308 S**  
**Metros et al.** (45) **Date of Patent:** **\*\* Dec. 4, 2018**

(54) **VEHICLE HEADLIGHT**

(56) **References Cited**

(71) Applicant: **Ford Global Technologies, LLC**,  
Dearborn, MI (US)

(72) Inventors: **Craig S. Metros**, Bloomfield, MI (US);  
**George Bucher**, Dearborn, MI (US);  
**Christopher G. Walter**, Walled Lake,  
MI (US); **Andrew Bazinski**,  
Amherstburg (CA)

(73) Assignee: **Ford Global Technologies, LLC**,  
Dearborn, MI (US)

(\*\*) Term: **15 Years**

(21) Appl. No.: **29/621,079**

(22) Filed: **Oct. 4, 2017**

(51) **LOC (11) Cl.** ..... **26-06**

(52) **U.S. Cl.**  
USPC ..... **D26/28**

(58) **Field of Classification Search**  
USPC ..... D26/28-36; 362/80-83, 267-269,  
362/459-468, 475-478, 485-487  
CPC ..... F21S 48/00; F21S 48/10; F21S 48/115;  
F21S 48/225; F21S 48/1233; F21S  
48/1266; F21S 48/1388; F21S 48/2268;  
F21V 21/04

See application file for complete search history.

U.S. PATENT DOCUMENTS

D528,231 S *	9/2006	Ikeda	.....	D26/28
D529,208 S *	9/2006	Ikeda	.....	D26/28
D544,614 S *	6/2007	Markefka	.....	D26/28
D658,321 S *	4/2012	Takeda	.....	D26/28
D676,166 S *	2/2013	Lai	.....	D26/28
D801,564 S *	10/2017	Nakamura	.....	D26/28

\* cited by examiner

*Primary Examiner* — Marcus Jackson

(74) *Attorney, Agent, or Firm* — James Dottavio

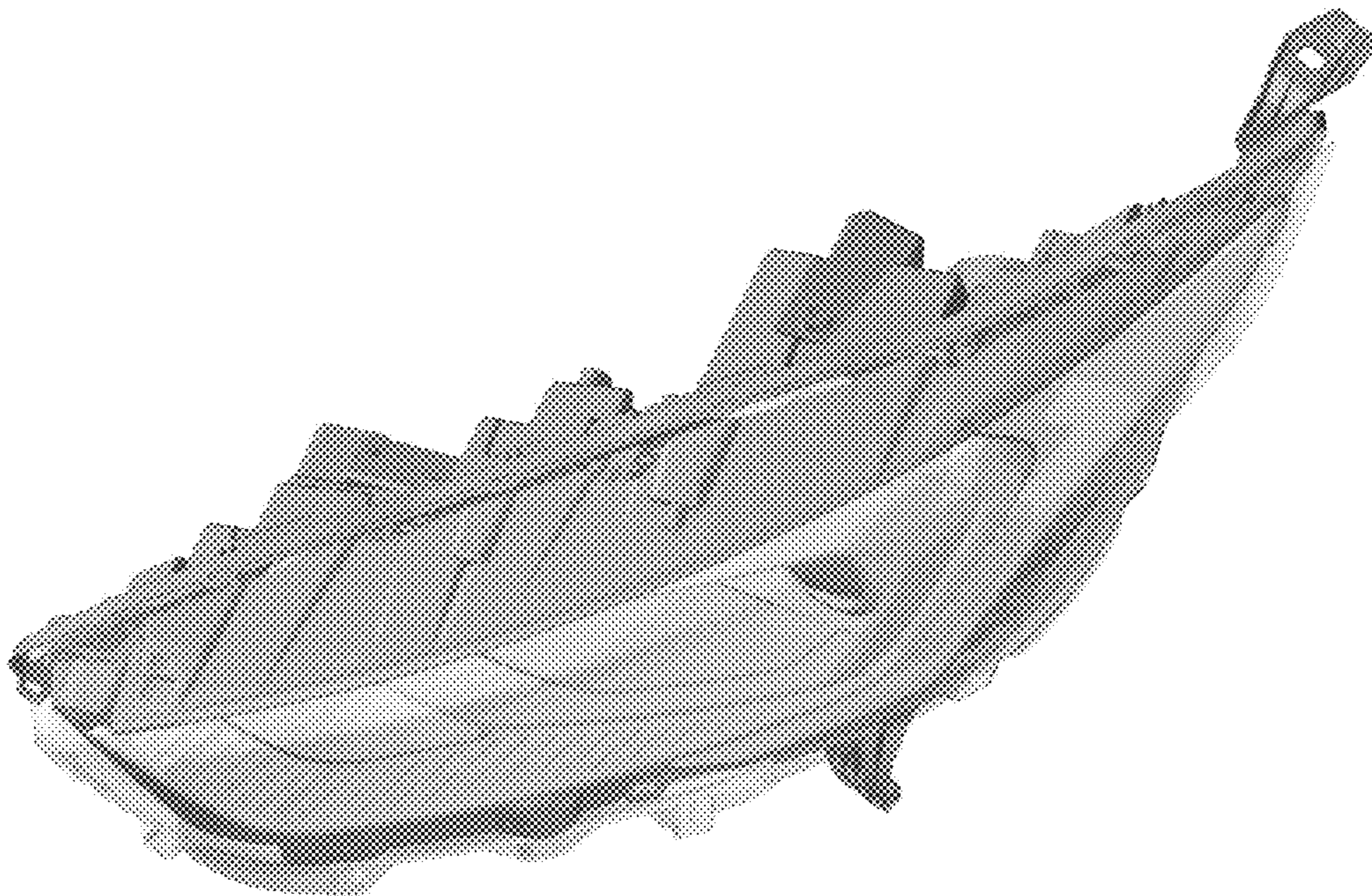
(57) **CLAIM**

The ornamental design for a vehicle headlight, as shown.

**DESCRIPTION**

FIG. 1 is a top, front, and left side perspective view a right vehicle headlight, showing our new design;  
 FIG. 2 is a bottom, front, and left side perspective view thereof;  
 FIG. 3 is a top, and rear perspective view thereof;  
 FIG. 4 is a front elevational view thereof;  
 FIG. 5 is a rear elevational view thereof;  
 FIG. 6 is a left side elevational view thereof;  
 FIG. 7 is a right side elevational view thereof;  
 FIG. 8 is a top plan view thereof; and,  
 FIG. 9 is a bottom plan view thereof.

**1 Claim, 9 Drawing Sheets**



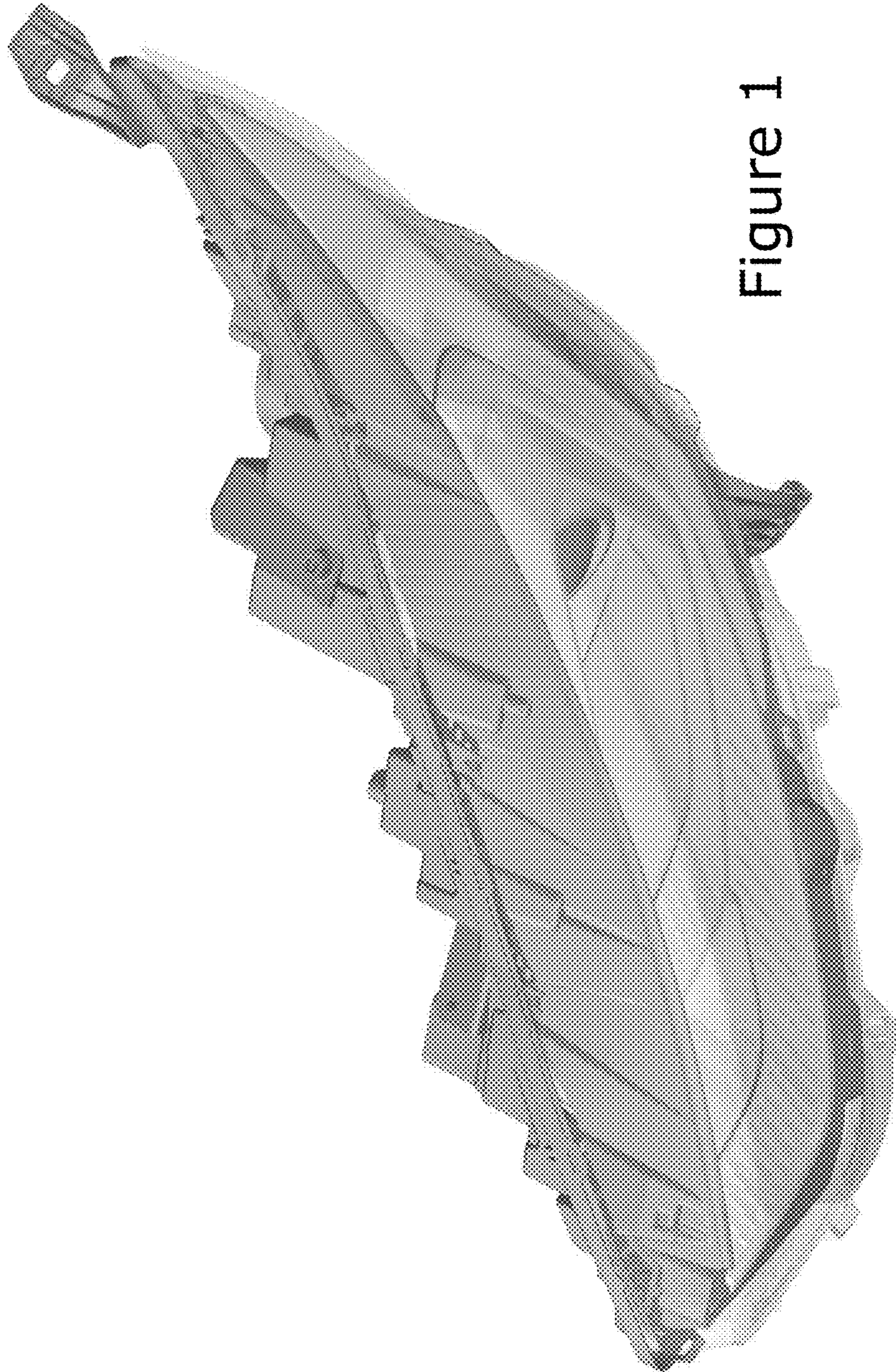


Figure 1

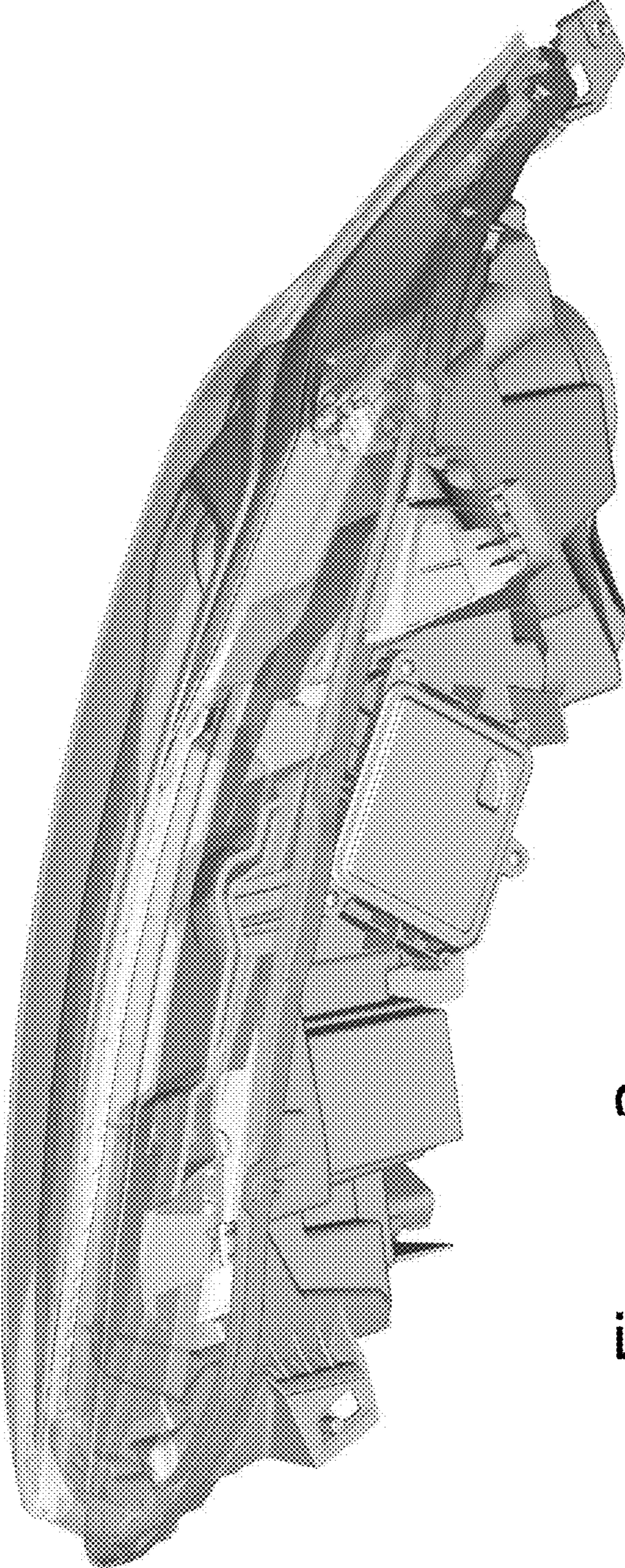


Figure 2

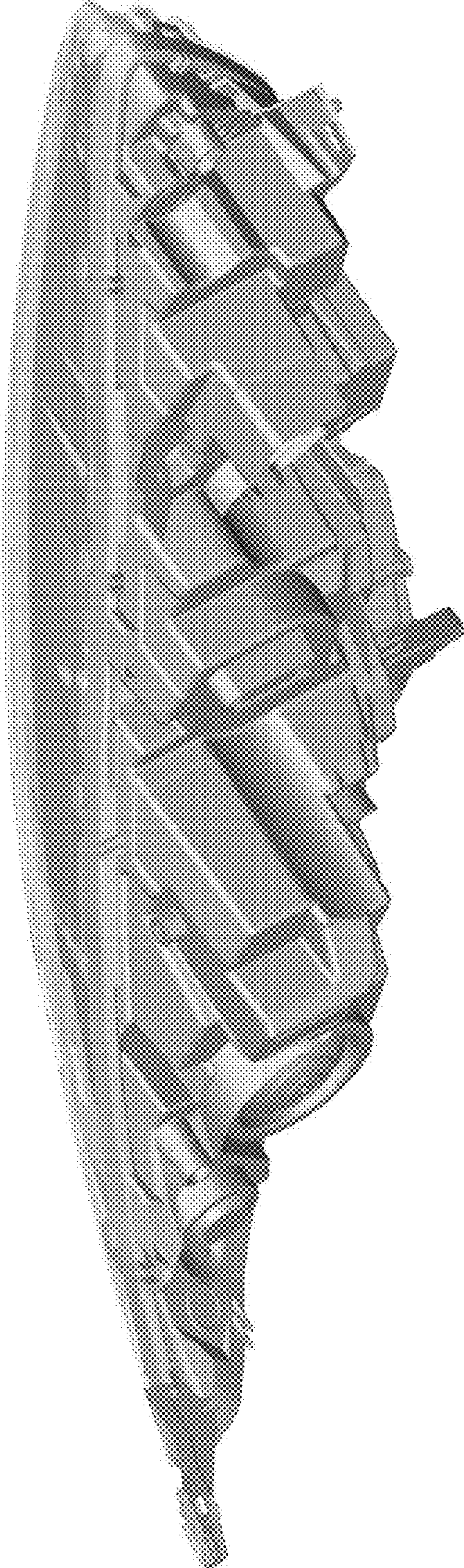


Figure 3

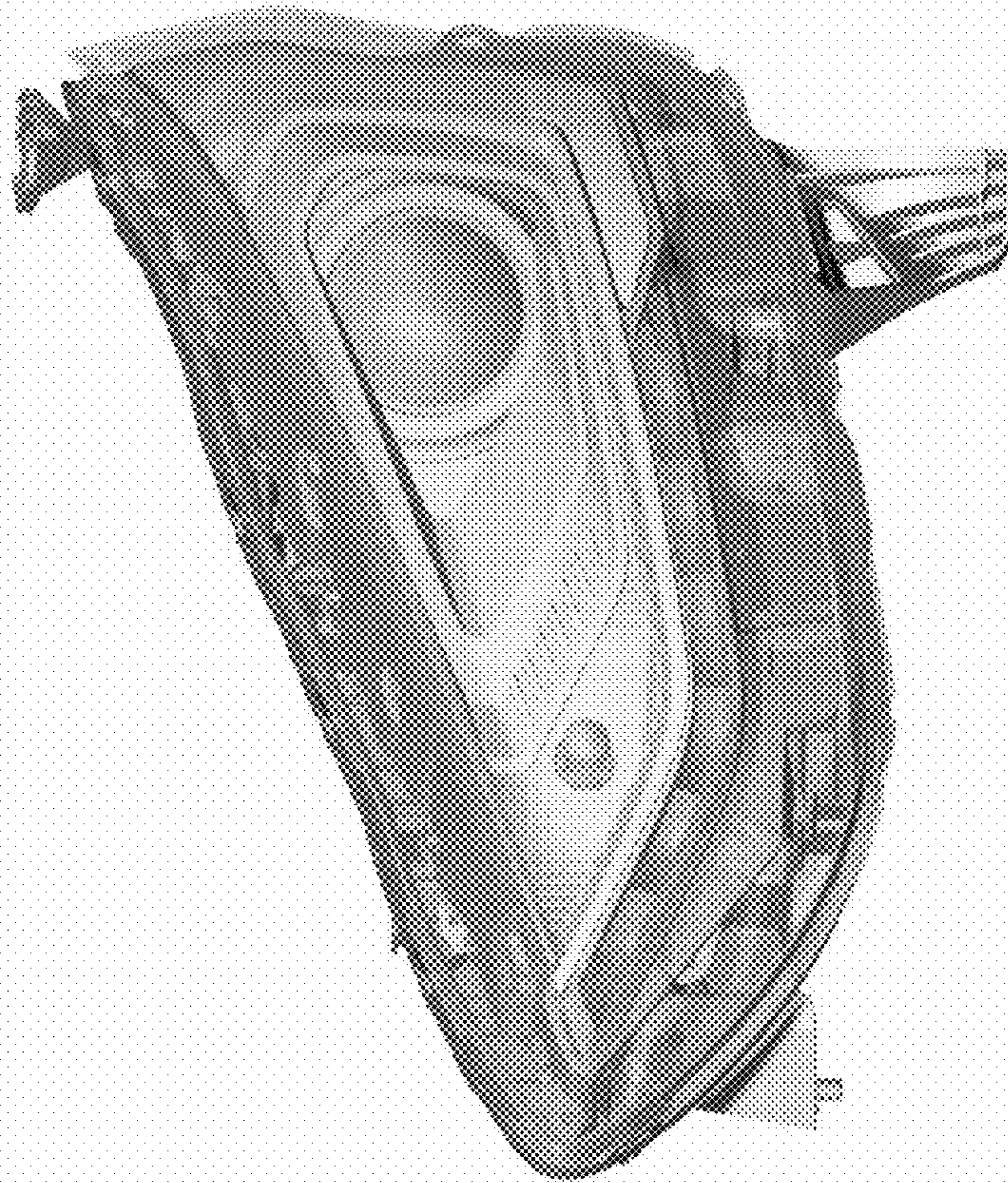


Figure 4

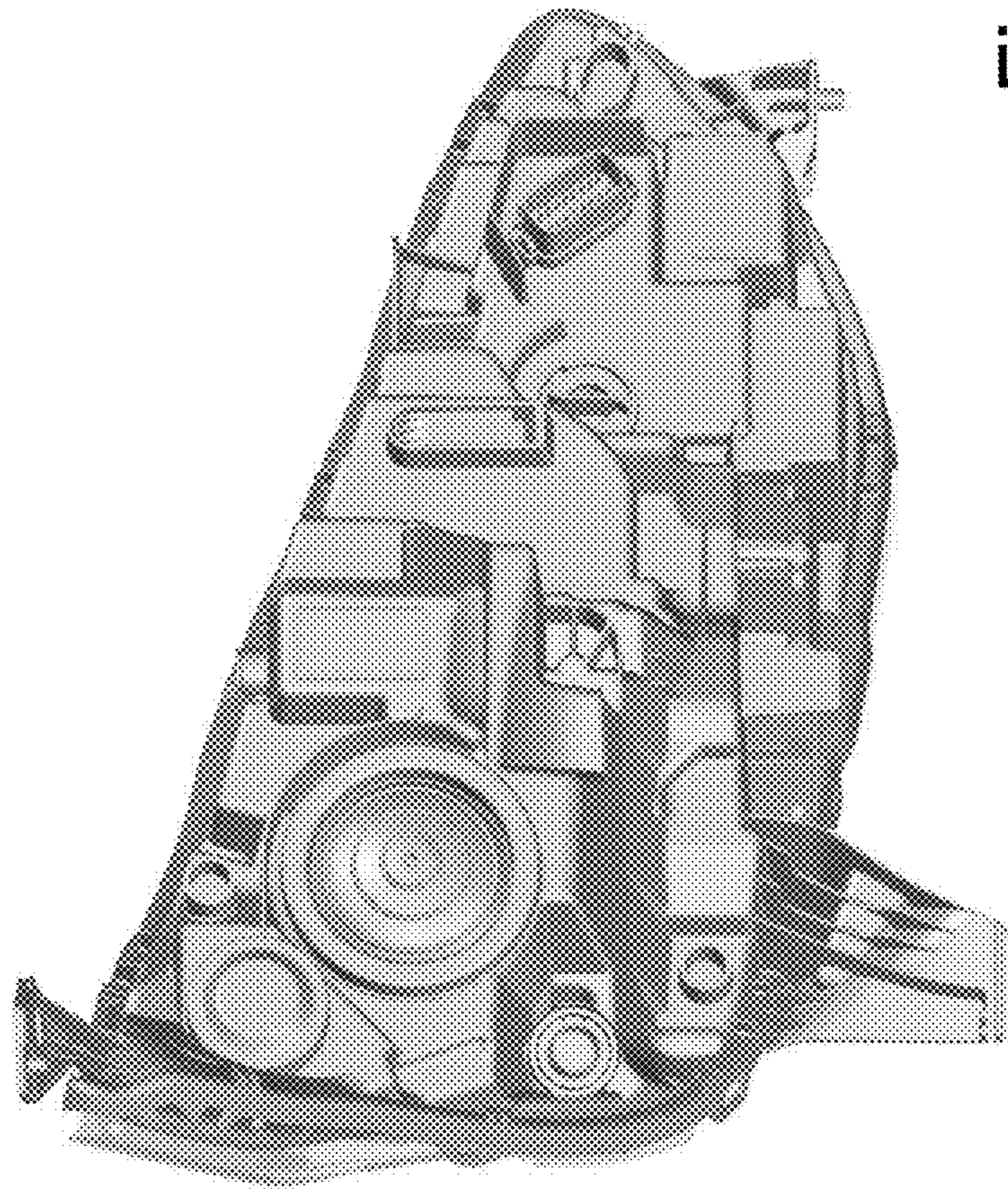


Figure 5

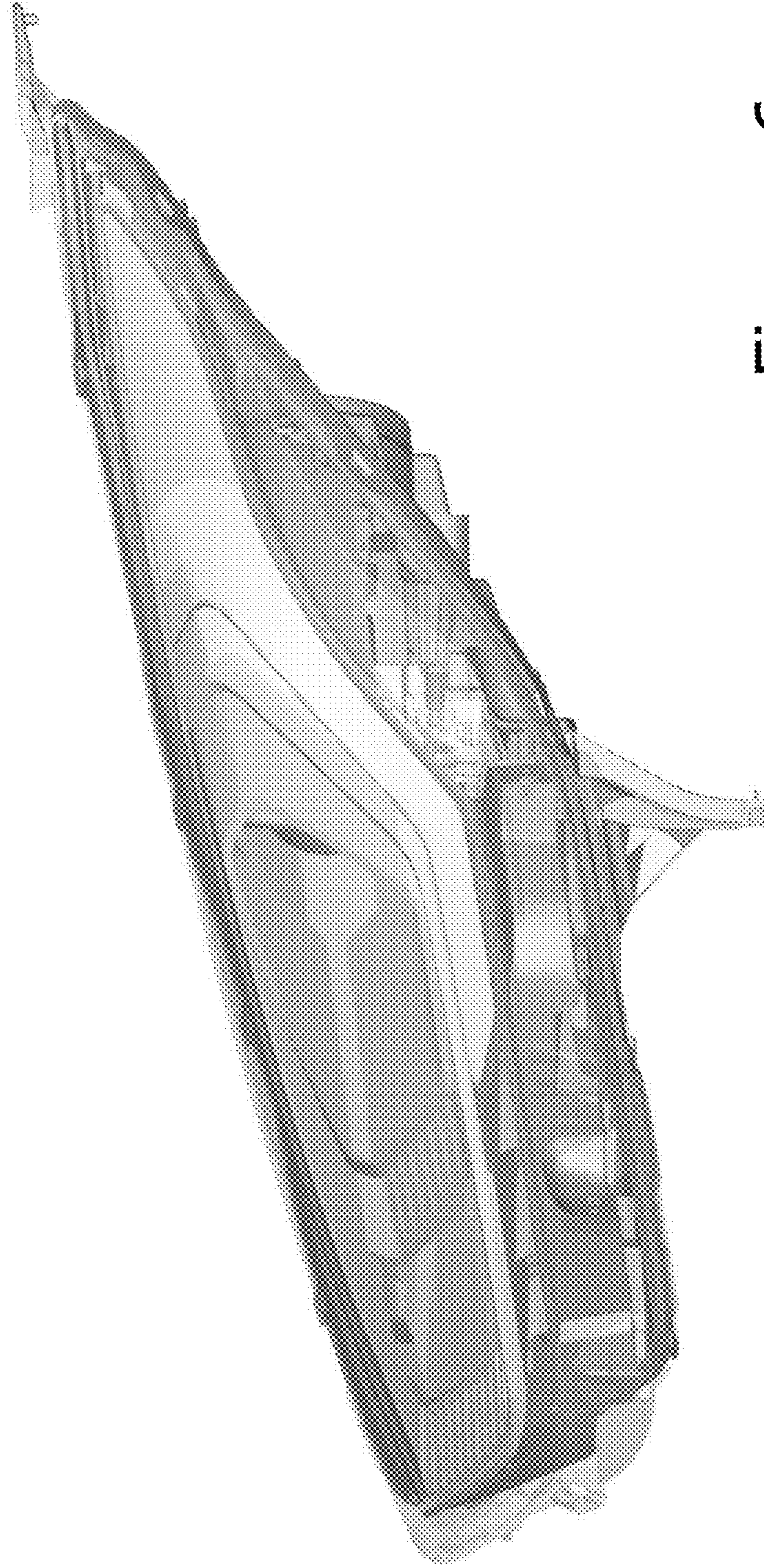


Figure 6

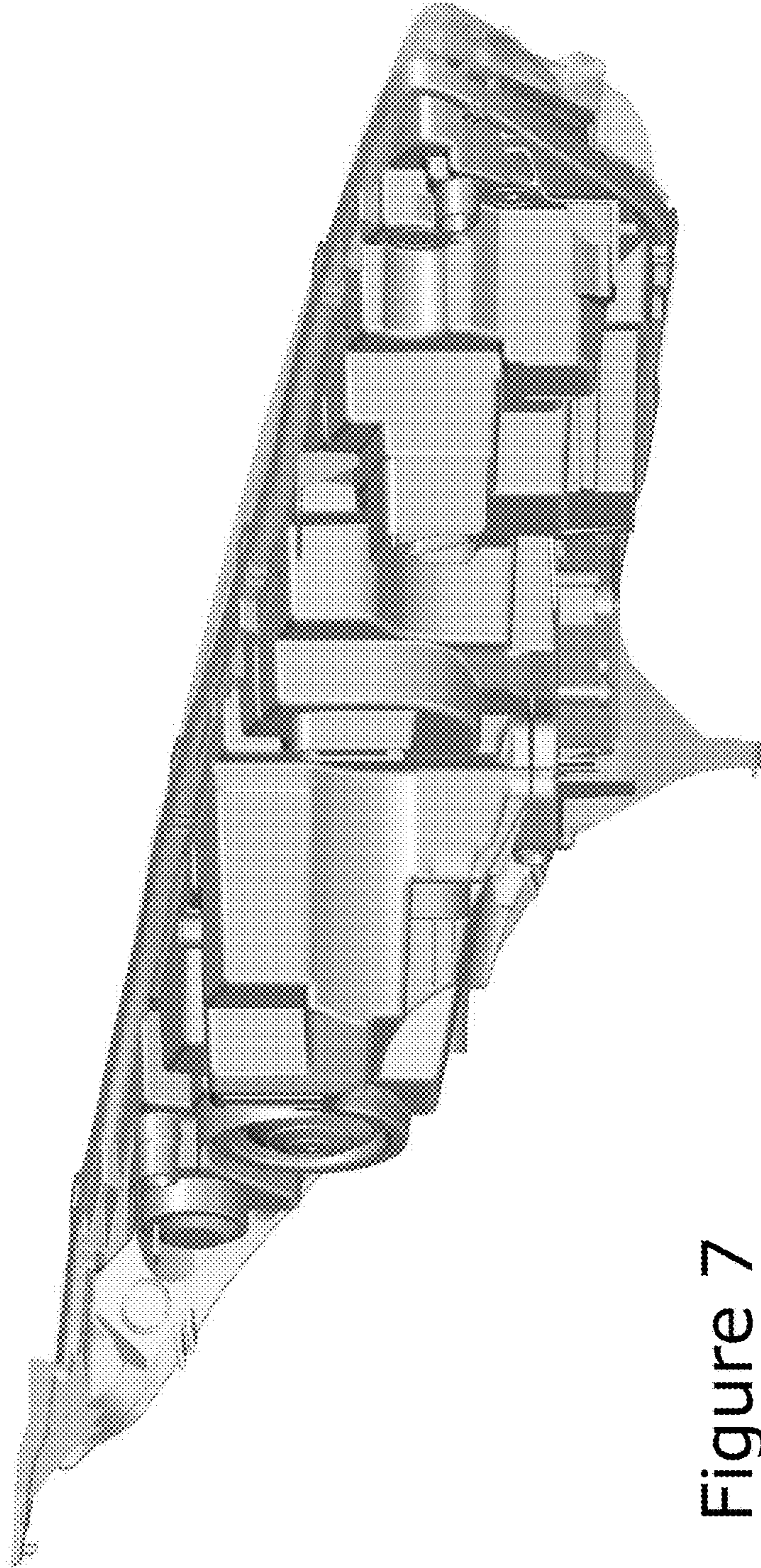


Figure 7



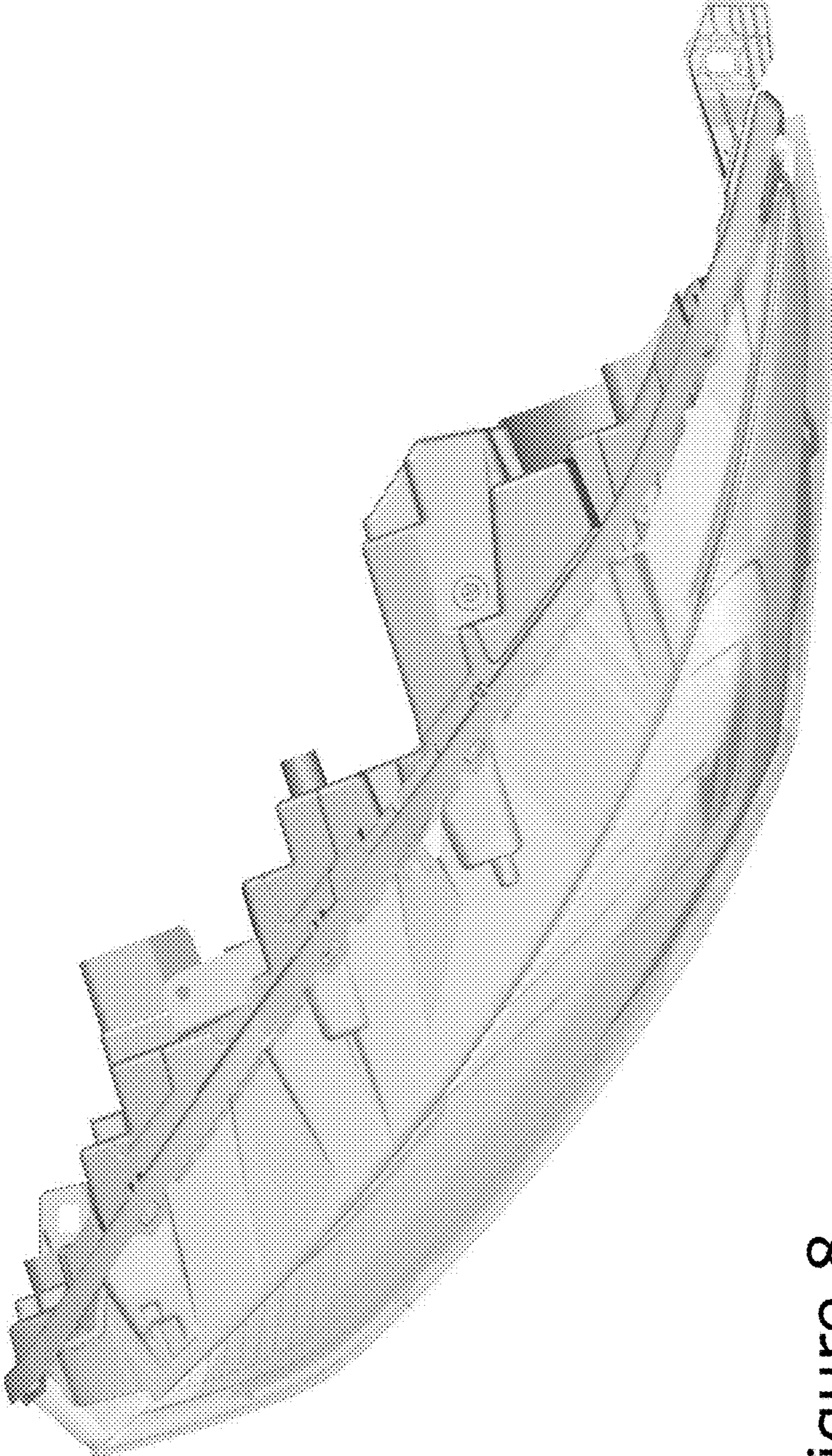


Figure 8

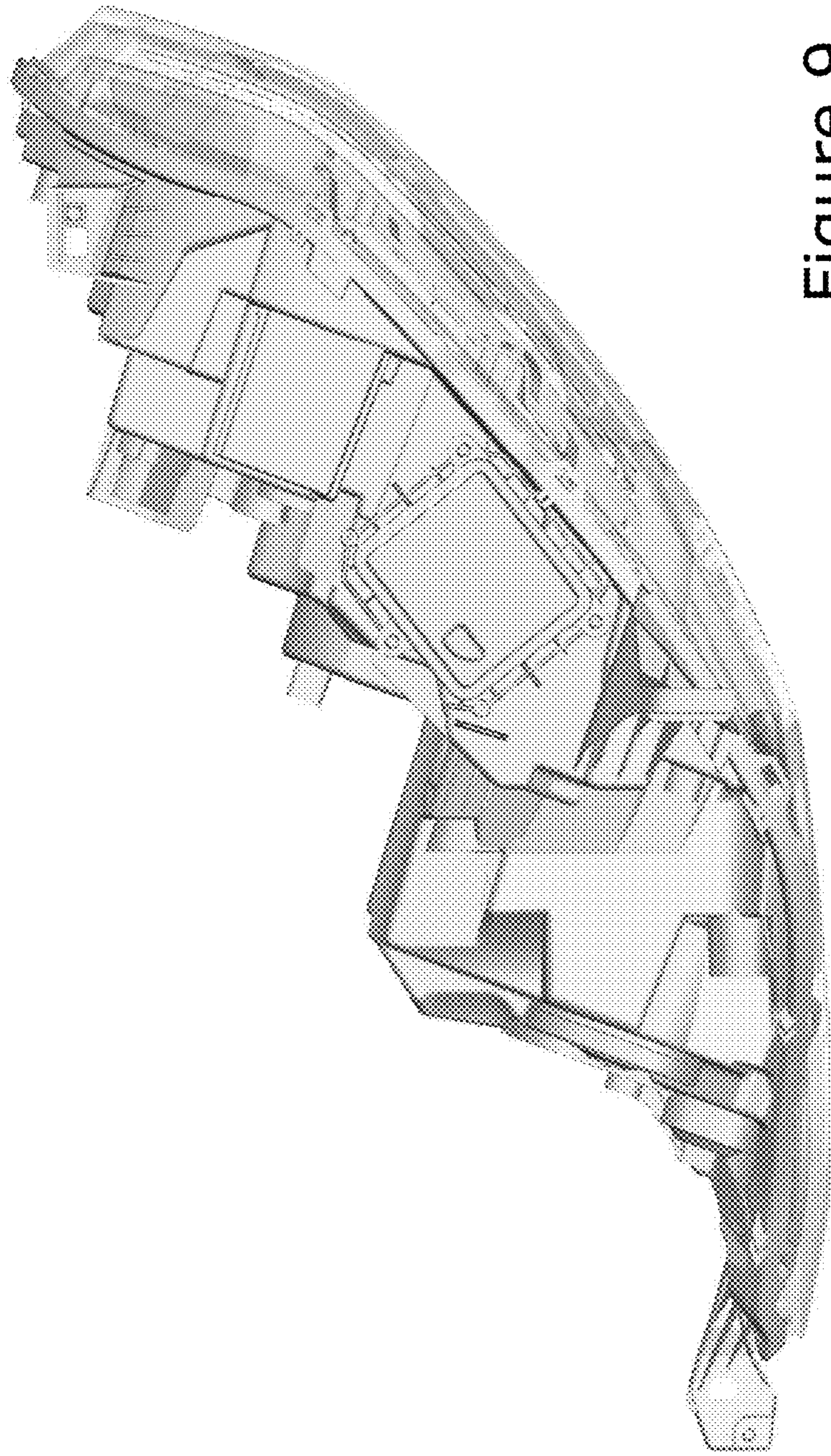


Figure 9