



US00D835307S

(12) **United States Design Patent** (10) **Patent No.:** **US D835,307 S**  
**Thompson et al.** (45) **Date of Patent:** **\*\* Dec. 4, 2018**

(54) **NIGHTLIGHT**  
(71) Applicant: **1842728 Ontario Inc**, Barrie (CA)  
(72) Inventors: **Mitch Thompson**, Barrie (CA); **David Snaith**, Toronto (CA); **Daniel Kowalewski**, Woodbridge (CA); **Steve A. Copeland**, Barrie (CA)  
(73) Assignee: **1842728 Ontario Inc** (CA)  
(\*\*) Term: **15 Years**  
(21) Appl. No.: **29/600,376**  
(22) Filed: **Apr. 12, 2017**  
(51) **LOC (11) Cl.** ..... **26-03**  
(52) **U.S. Cl.**  
USPC ..... **D26/26**  
(58) **Field of Classification Search**  
USPC ..... D26/26, 24, 113, 118, 119, 120, 5, 6, 7;  
D23/366, 367, 369; 362/640, 641, 642,  
362/643, 644, 650, 651, 652, 653, 659  
CPC ..... F21S 8/035; F21V 23/06; F21V 23/0442;  
F21W 2121/00; H01R 2103/00  
See application file for complete search history.

D435,124 S \* 12/2000 Yuen ..... D26/26  
6,894,343 B2 5/2005 Harari et al.  
D533,956 S \* 12/2006 Vladika ..... D26/118  
D544,618 S 6/2007 Coushaine  
D556,938 S 12/2007 Russello et al.  
7,303,327 B2 12/2007 Copeland et al.  
D562,492 S 2/2008 Chen  
D574,095 S 7/2008 Hill et al.  
D606,185 S \* 12/2009 Wefler ..... D23/366  
D628,722 S 12/2010 Yamamoto et al.  
D634,055 S \* 3/2011 Hokazono ..... D26/89  
D647,227 S 10/2011 Kaule et al.  
D736,449 S 8/2015 Getty  
D741,539 S 10/2015 Gettings et al.  
D771,860 S 11/2016 Weiss et al.  
D777,367 S 1/2017 Ma  
D779,977 S 2/2017 Jacob et al.  
9,568,171 B1 2/2017 Grider et al.  
9,633,557 B2 4/2017 Dimberg et al.  
D794,765 S \* 8/2017 Brandenburg ..... D23/366  
9,759,421 B1 9/2017 Baschnagel

(Continued)

Primary Examiner — Angela J Lee  
(74) Attorney, Agent, or Firm — Sand & Sebolt

(57) **CLAIM**

The ornamental design for a nightlight, as shown and described.

**DESCRIPTION**

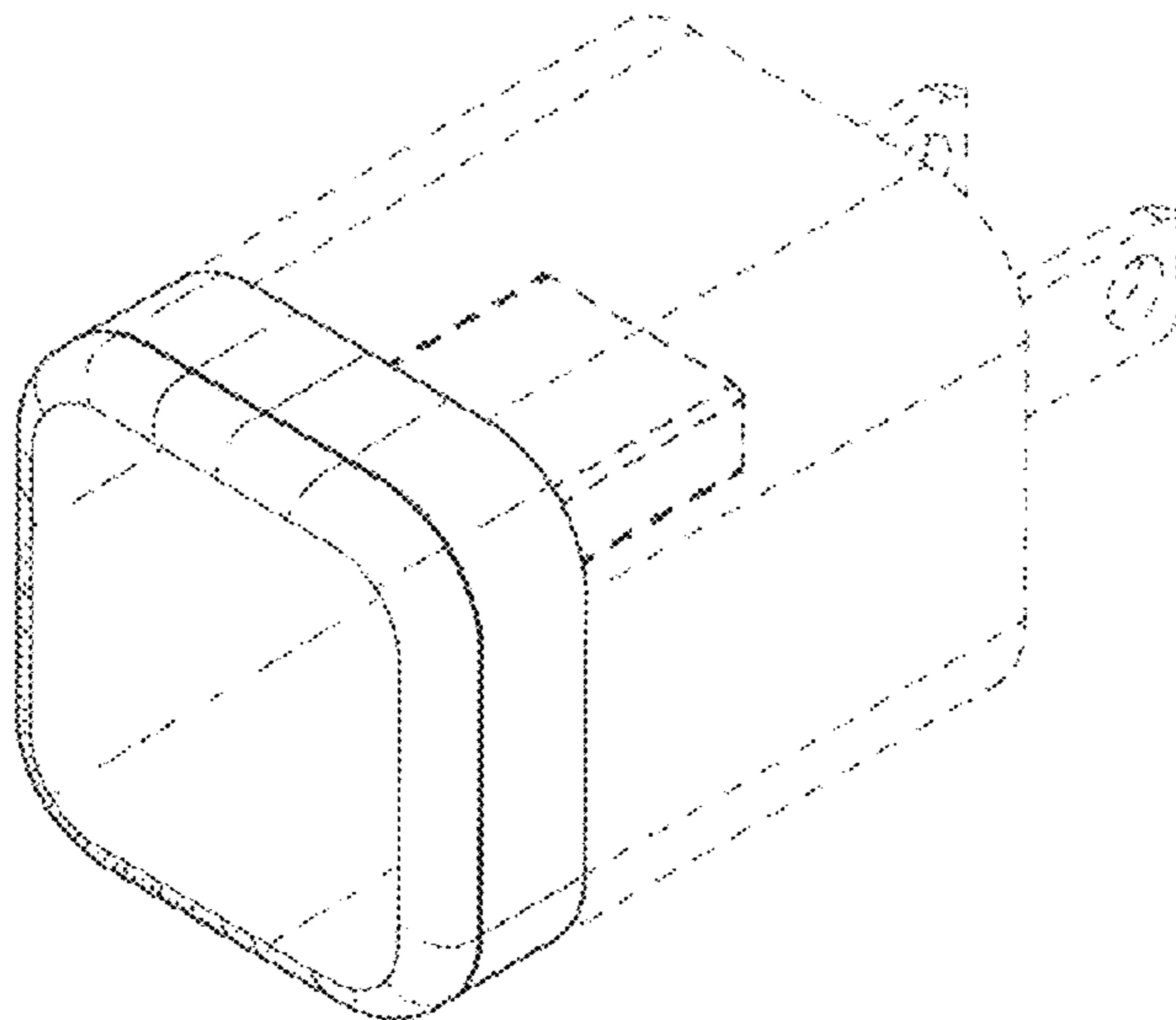
FIG. 1 is a front right top isometric perspective view of a new ornamental design for a nightlight;  
FIG. 2 is a front elevation view of the nightlight of FIG. 1;  
FIG. 3 is a rear elevation view of the nightlight of FIG. 1; and,  
FIG. 4 is a right side elevation view of the nightlight of FIG. 1, the left side elevation view being a mirror image thereof.  
The broken lines shown in the drawings represent portions of the nightlight that form no part of the claimed design.

**1 Claim, 4 Drawing Sheets**

(56) **References Cited**

U.S. PATENT DOCUMENTS

D352,564 S \* 11/1994 Marischen ..... D26/26  
D375,808 S \* 11/1996 Fang ..... D26/26  
D376,436 S \* 12/1996 Emmerling ..... D26/26  
D377,535 S \* 1/1997 Shulman ..... D26/26  
5,662,408 A \* 9/1997 Marischen ..... F21S 8/035  
362/253  
D392,756 S \* 3/1998 Hanig ..... D26/26  
D393,733 S 4/1998 Gaskins et al.  
D403,442 S \* 12/1998 Joss ..... D26/26  
D426,657 S \* 6/2000 Joss ..... D26/26



(56)

**References Cited**

U.S. PATENT DOCUMENTS

2002/0014960	A1	2/2002	Williams, Jr.
2003/0193795	A1	10/2003	Brown
2004/0145890	A1	7/2004	Liao
2007/0253192	A1	11/2007	Monteiro et al.
2012/0009807	A1	1/2012	Kuo
2014/0016331	A1	1/2014	Ting
2014/0316581	A1	10/2014	Fadell et al.
2015/0371534	A1	12/2015	Dimberg et al.
2016/0025316	A1	1/2016	Chien
2016/0173746	A1	6/2016	Chien
2016/0181726	A1	6/2016	Ihang
2016/0313636	A1	10/2016	Chien
2017/0193814	A1	7/2017	Dimberg et al.
2017/0205058	A1	7/2017	Ostrander

\* cited by examiner

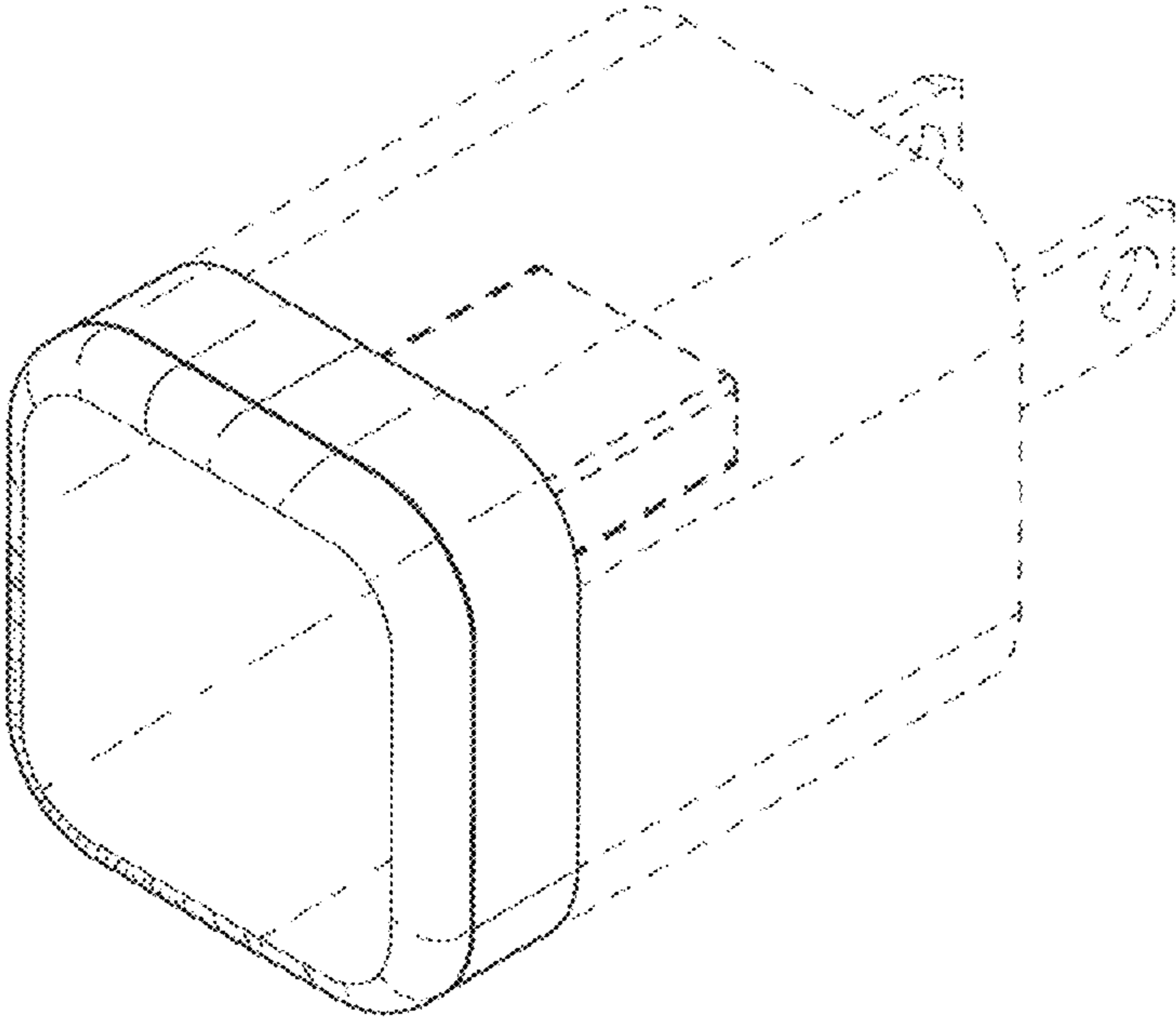


FIG.1

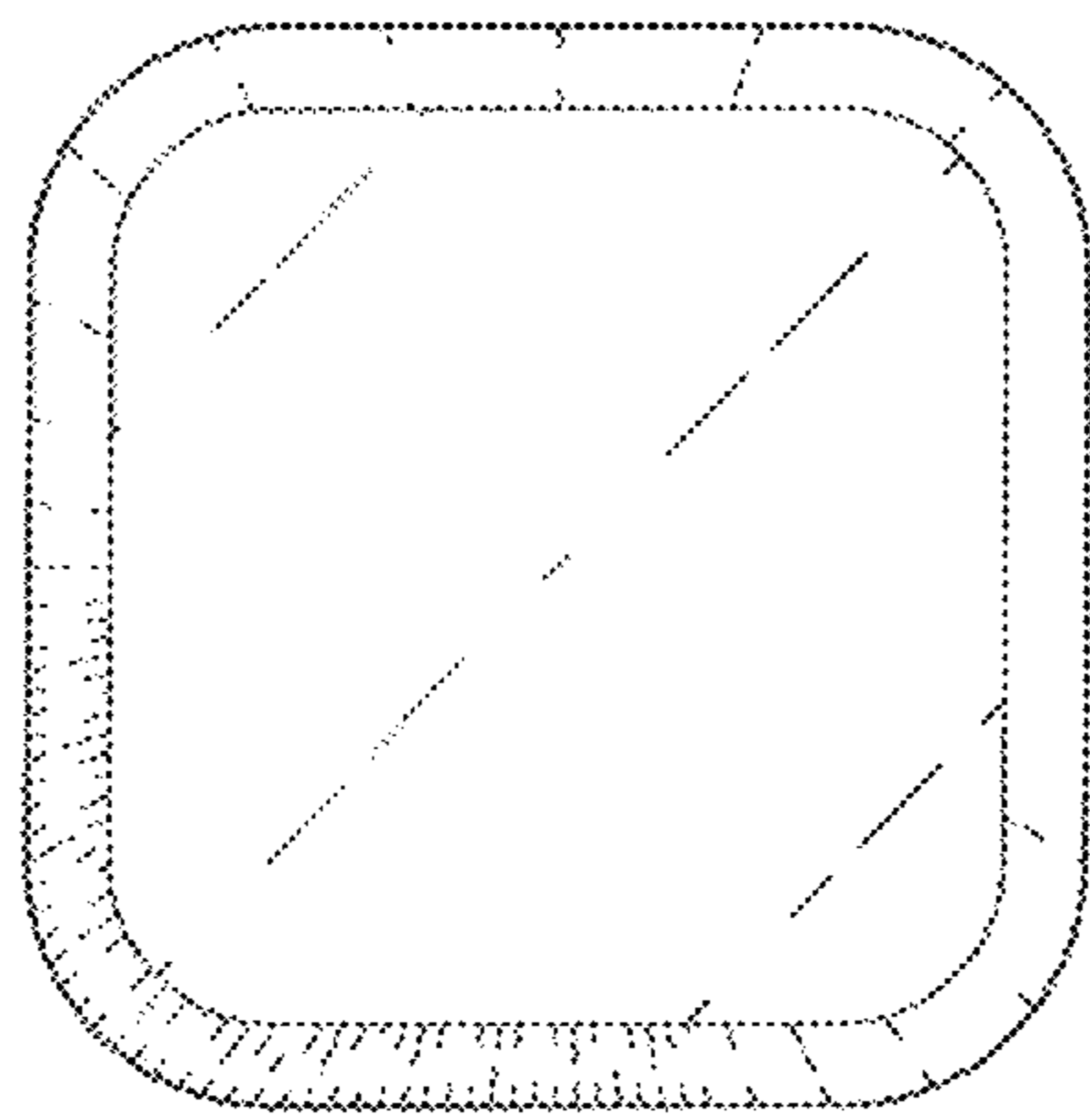


FIG.2

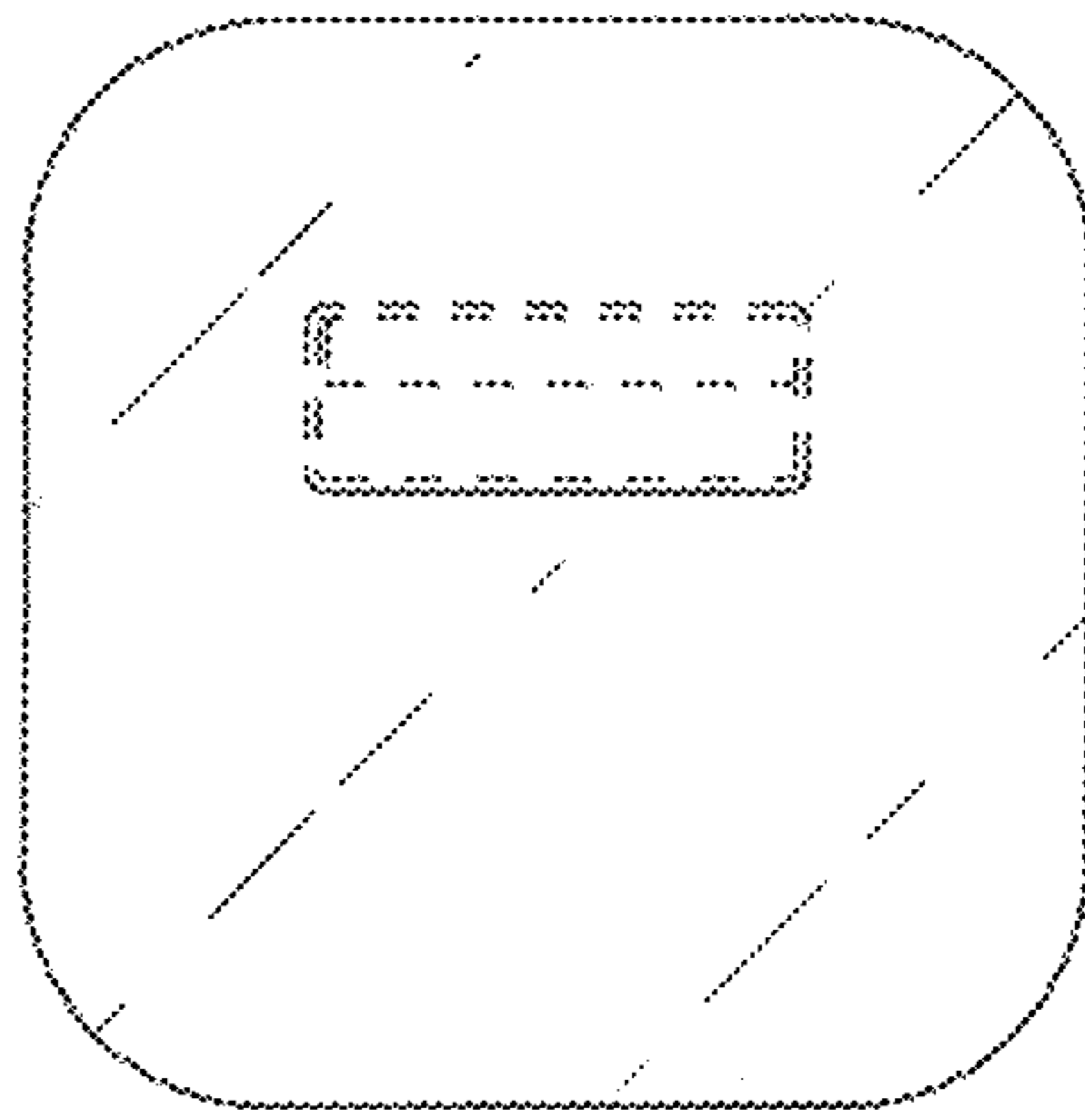


FIG.3

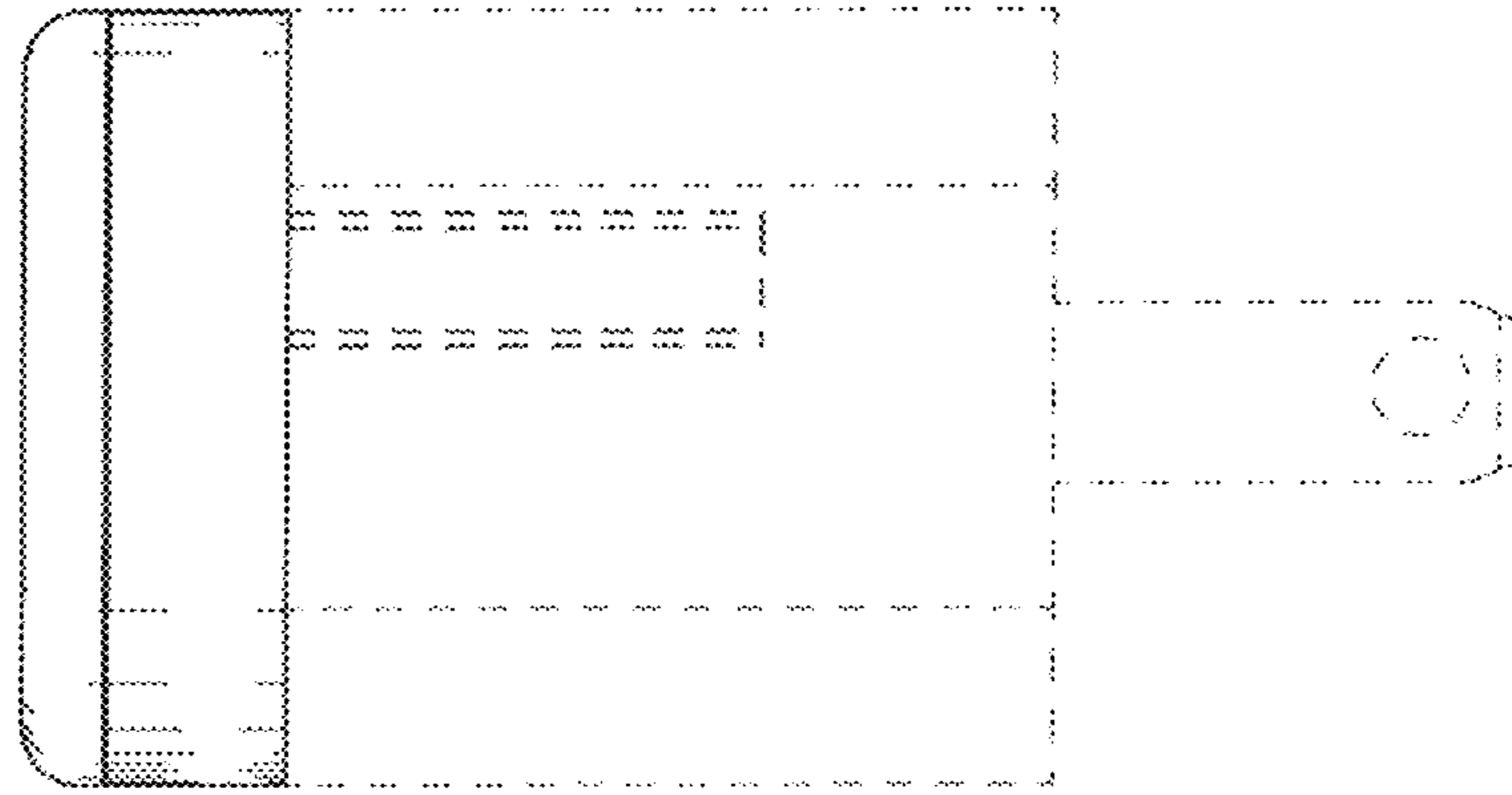


FIG.4