



US00D835306S

(12) **United States Design Patent** (10) **Patent No.:** **US D835,306 S**
Thompson et al. (45) **Date of Patent:** **** Dec. 4, 2018**

(54) **NIGHTLIGHT**
(71) Applicant: **1842728 Ontario Inc**, Barrie (CA)
(72) Inventors: **Mitch Thompson**, Barrie (CA); **David Snaith**, Toronto (CA); **Daniel Kowalewski**, Woodbridge (CA); **Steve A. Copeland**, Barrie (CA)
(73) Assignee: **1842728 Ontario Inc** (CA)
(**) Term: **15 Years**
(21) Appl. No.: **29/600,372**
(22) Filed: **Apr. 12, 2017**
(51) **LOC (11) Cl.** **26-03**
(52) **U.S. Cl.**
USPC **D26/26**
(58) **Field of Classification Search**
USPC D26/26, 24, 113, 118, 119, 120, 5, 6, 7;
D23/366, 367, 369; 362/640, 641, 642,
362/643, 644, 650, 651, 652, 653, 659
CPC F21S 8/035; F21V 23/06; F21V 23/0442;
F21W 2121/00; H01R 2103/00
See application file for complete search history.

(56) **References Cited**
U.S. PATENT DOCUMENTS
D352,564 S * 11/1994 Marischen D26/26
D375,808 S * 11/1996 Fang D26/26
D376,436 S * 12/1996 Emmerling D26/26
D377,535 S * 1/1997 Shulman D26/26
5,662,408 A * 9/1997 Marischen F21S 8/035
362/253
D392,756 S * 3/1998 Hanig D26/26
D393,733 S * 4/1998 Gaskins et al.
D403,442 S * 12/1998 Joss D26/26

D426,657 S * 6/2000 Joss D26/26
D435,124 S * 12/2000 Yuen D26/26
6,894,343 B2 5/2005 Harari et al.
D533,956 S * 12/2006 Vladika D26/118
D544,618 S 6/2007 Coushaine
D556,938 S 12/2007 Russello et al.
7,303,327 B2 12/2007 Copeland et al.
D562,492 S 2/2008 Chen
D574,095 S 7/2008 Hill et al.
D606,185 S * 12/2009 Wefler D23/366
D628,722 S 12/2010 Yamamoto et al.
D634,055 S * 3/2011 Hokazono D26/89

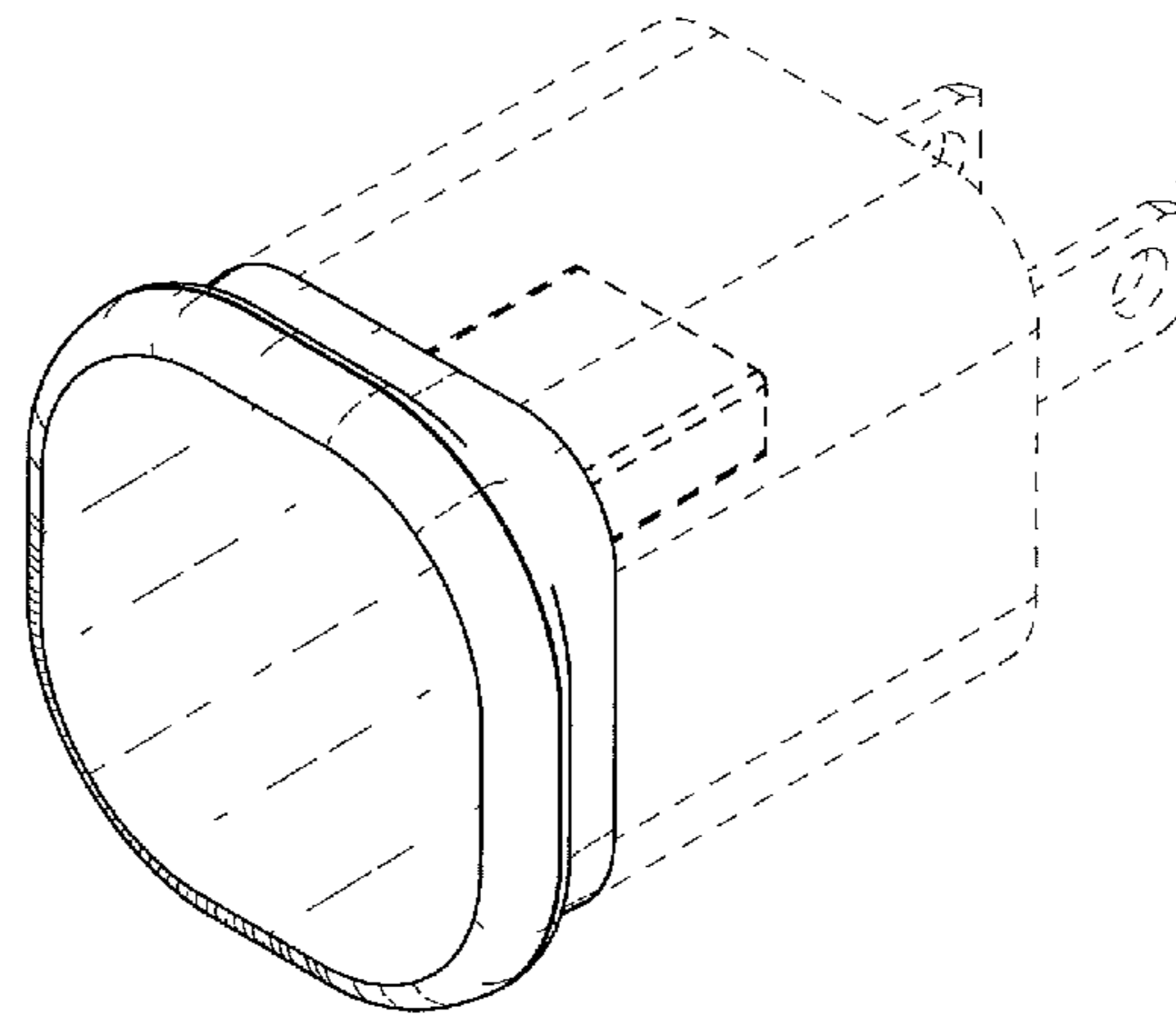
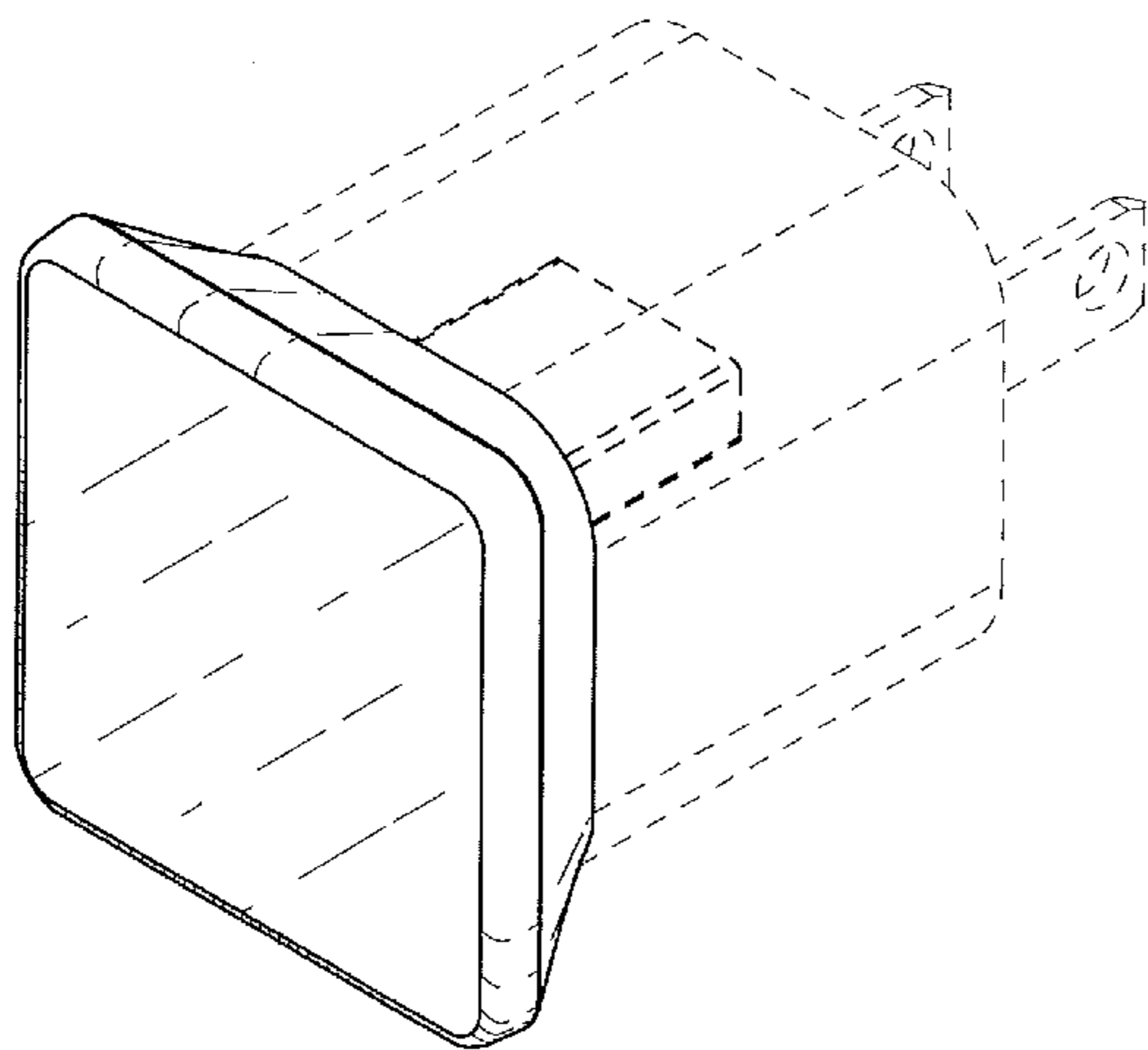
(Continued)

Primary Examiner — Angela J Lee
(74) *Attorney, Agent, or Firm* — Sand & Sebolt

(57) **CLAIM**
The ornamental design for a nightlight, as shown and described.

DESCRIPTION
FIG. 1 is a front right top isometric perspective view of a new ornamental design for a nightlight;
FIG. 2 is a front elevation view of the nightlight of FIG. 1;
FIG. 3 is a rear elevation view of the nightlight of FIG. 1;
FIG. 4 is a right side elevation view of the nightlight of FIG. 1, the left side elevation view being a mirror image thereof;
FIG. 5 is a front right top isometric perspective view of a second embodiment of the new ornamental design for a nightlight;
FIG. 6 is a front elevation view of the nightlight of FIG. 5;
FIG. 7 is a rear elevation view of the nightlight of FIG. 5; and,
FIG. 8 is a right side elevation view of the nightlight of FIG. 5, the left side elevation view being a mirror image thereof.
The broken lines shown in the drawings represent portions of the nightlight that form no part of the claimed design.

1 Claim, 8 Drawing Sheets



(56)

References Cited

U.S. PATENT DOCUMENTS

D647,227	S	10/2011	Kaule et al.
D736,449	S	8/2015	Getty
D741,539	S	10/2015	Gettings et al.
D771,860	S	11/2016	Weiss et al.
D777,367	S	1/2017	Ma
D779,977	S	2/2017	Jacob et al.
9,568,171	B1	2/2017	Grader et al.
9,633,557	B2	4/2017	Dimberg et al.
D794,765	S *	8/2017	Brandenburg D23/366
9,759,421	B1	9/2017	Baschnagel
2002/0014960	A1	2/2002	Williams, Jr.
2003/0193795	A1	10/2003	Brown
2004/0145890	A1	7/2004	Liao
2007/0253192	A1	11/2007	Monteiro et al.
2012/0009807	A1	1/2012	Kuo
2014/0016331	A1	1/2014	Ting
2014/0316581	A1	10/2014	Fadell et al.
2015/0371534	A1	12/2015	Dimberg et al.
2016/0025316	A1	1/2016	Chien
2016/0173746	A1	6/2016	Chien
2016/0181726	A1	6/2016	Zhang
2016/0313636	A1	10/2016	Chien
2017/0193814	A1	7/2017	Dimberg et al.
2017/0205058	A1	7/2017	Ostrander

* cited by examiner

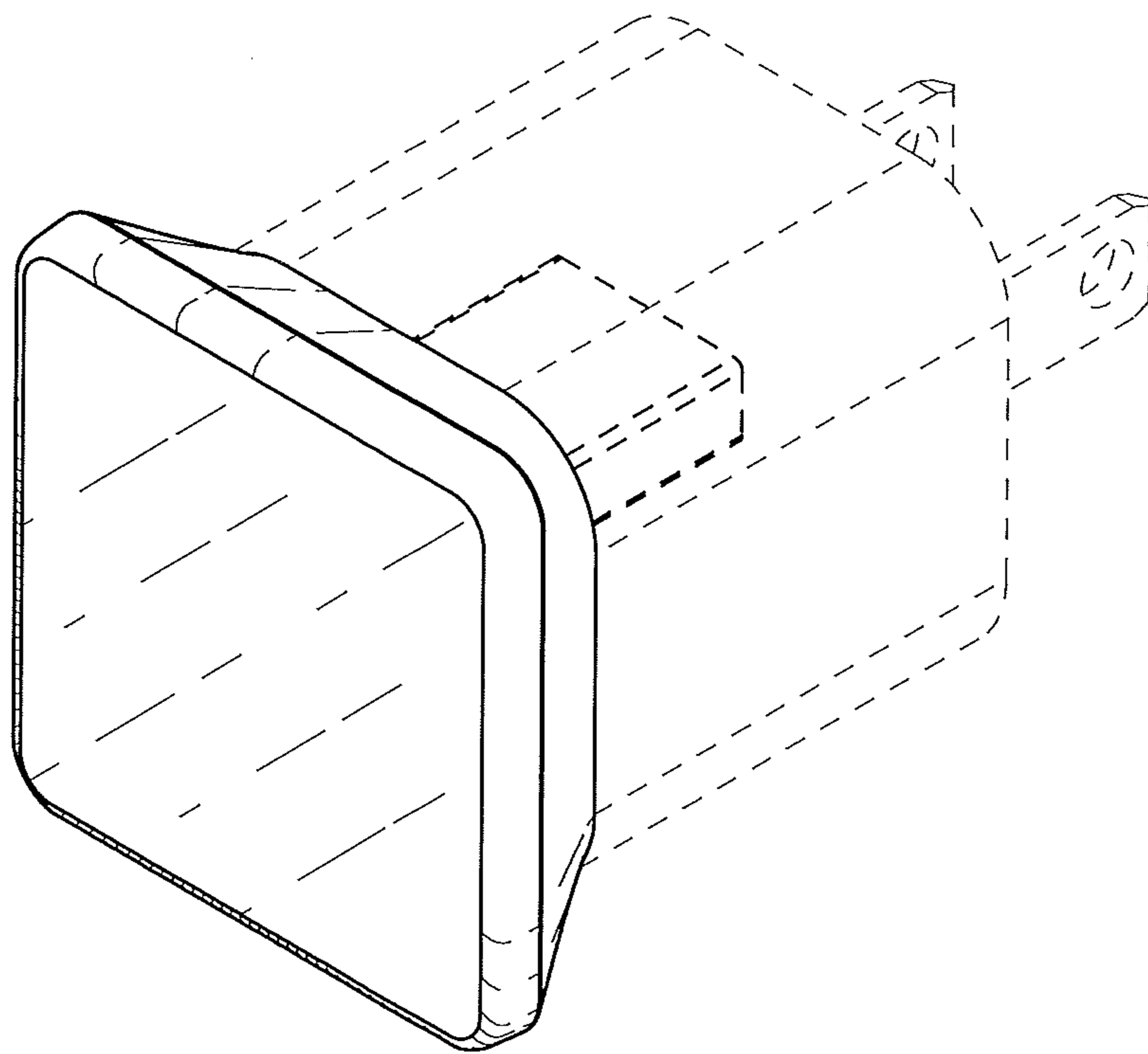


FIG. 1

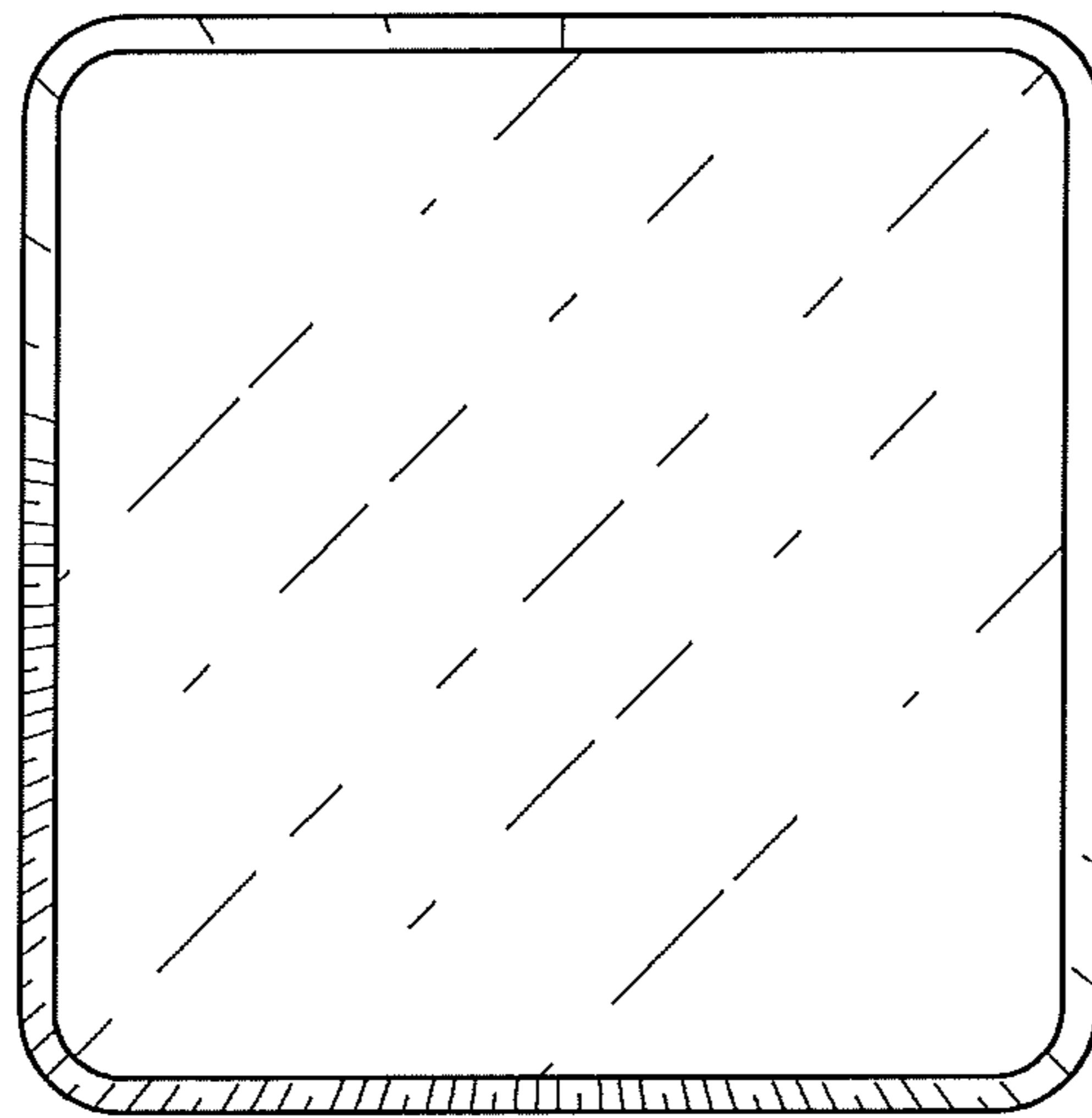


FIG. 2

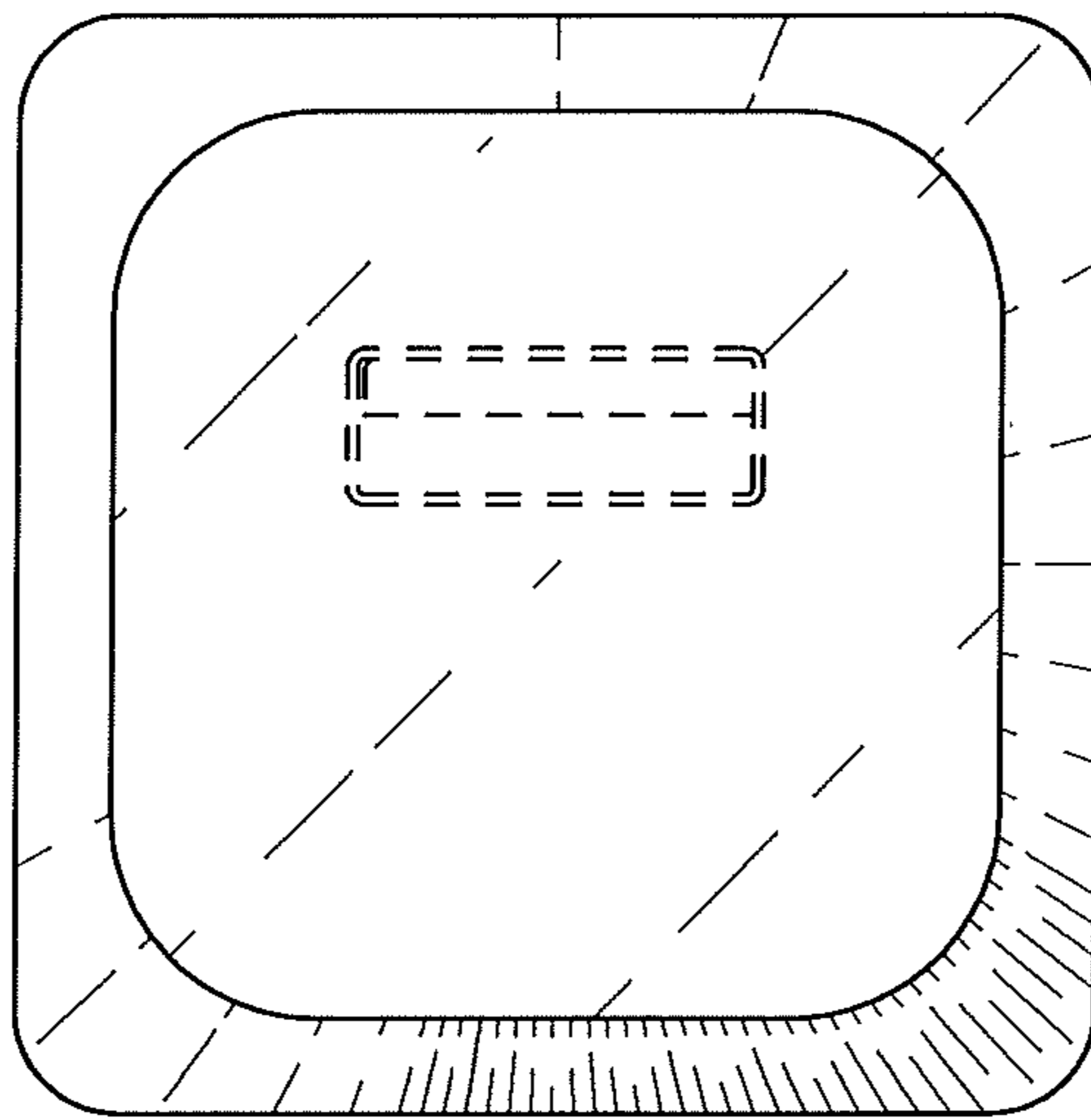


FIG. 3

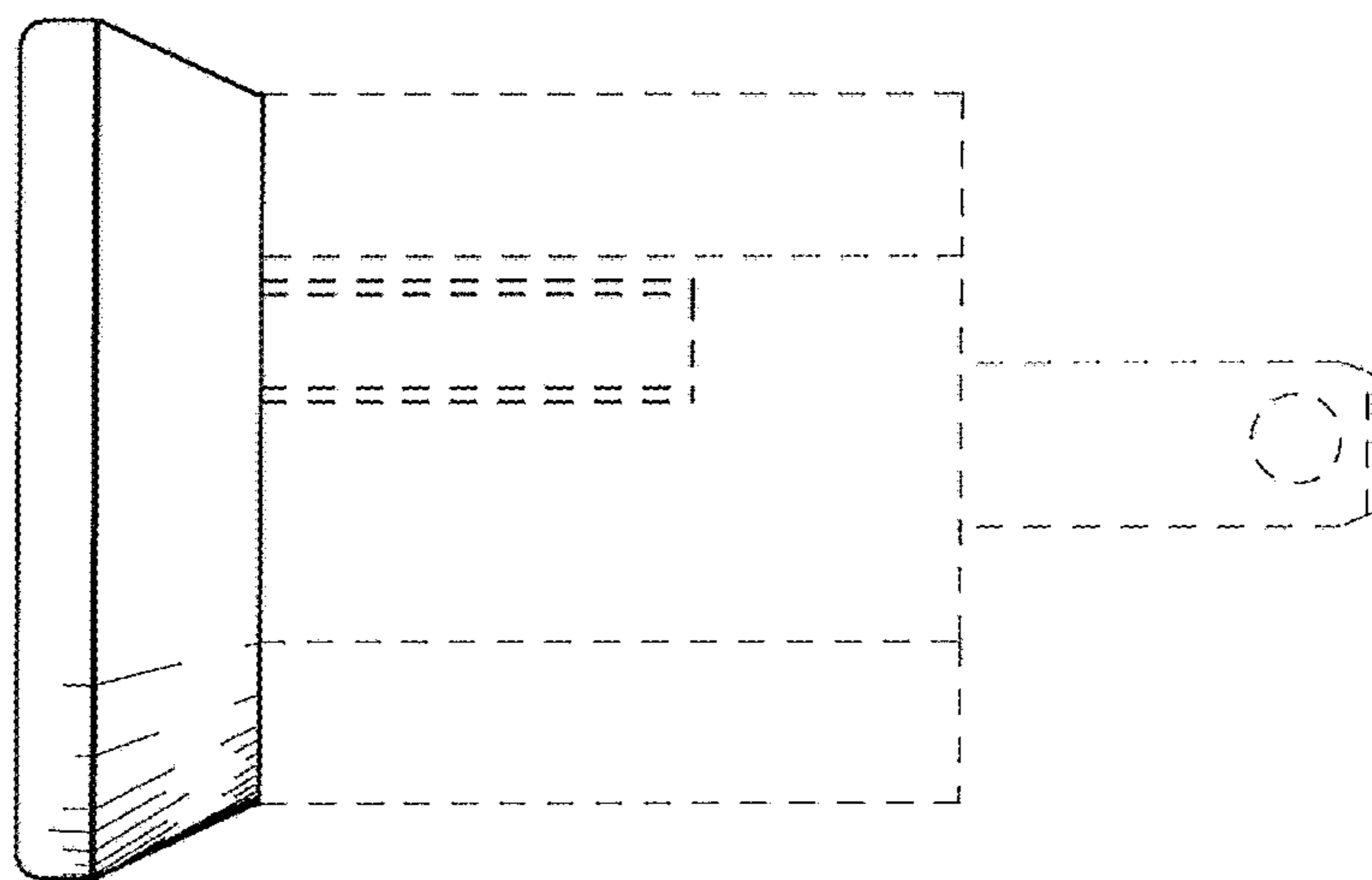


FIG. 4

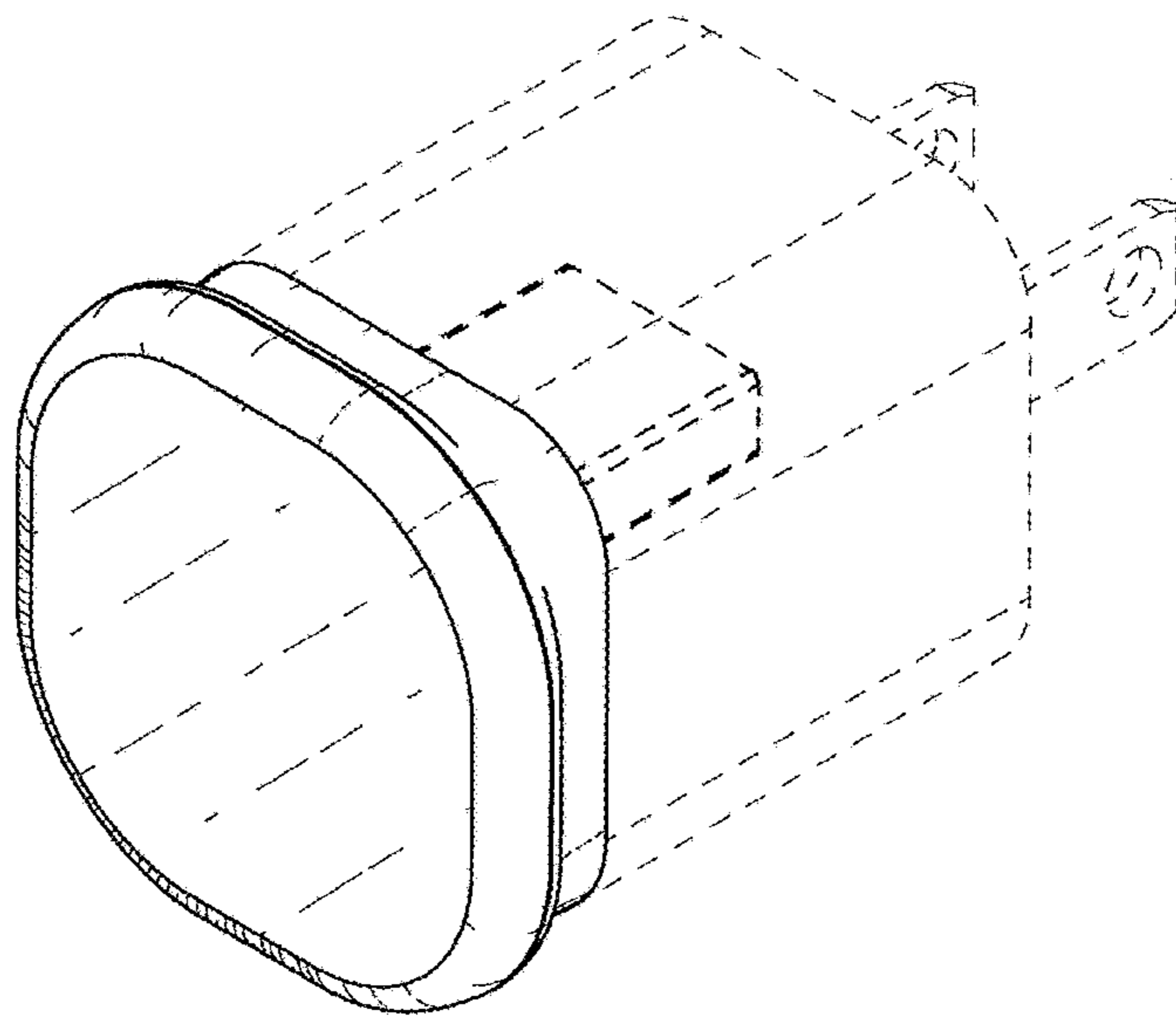


FIG. 5

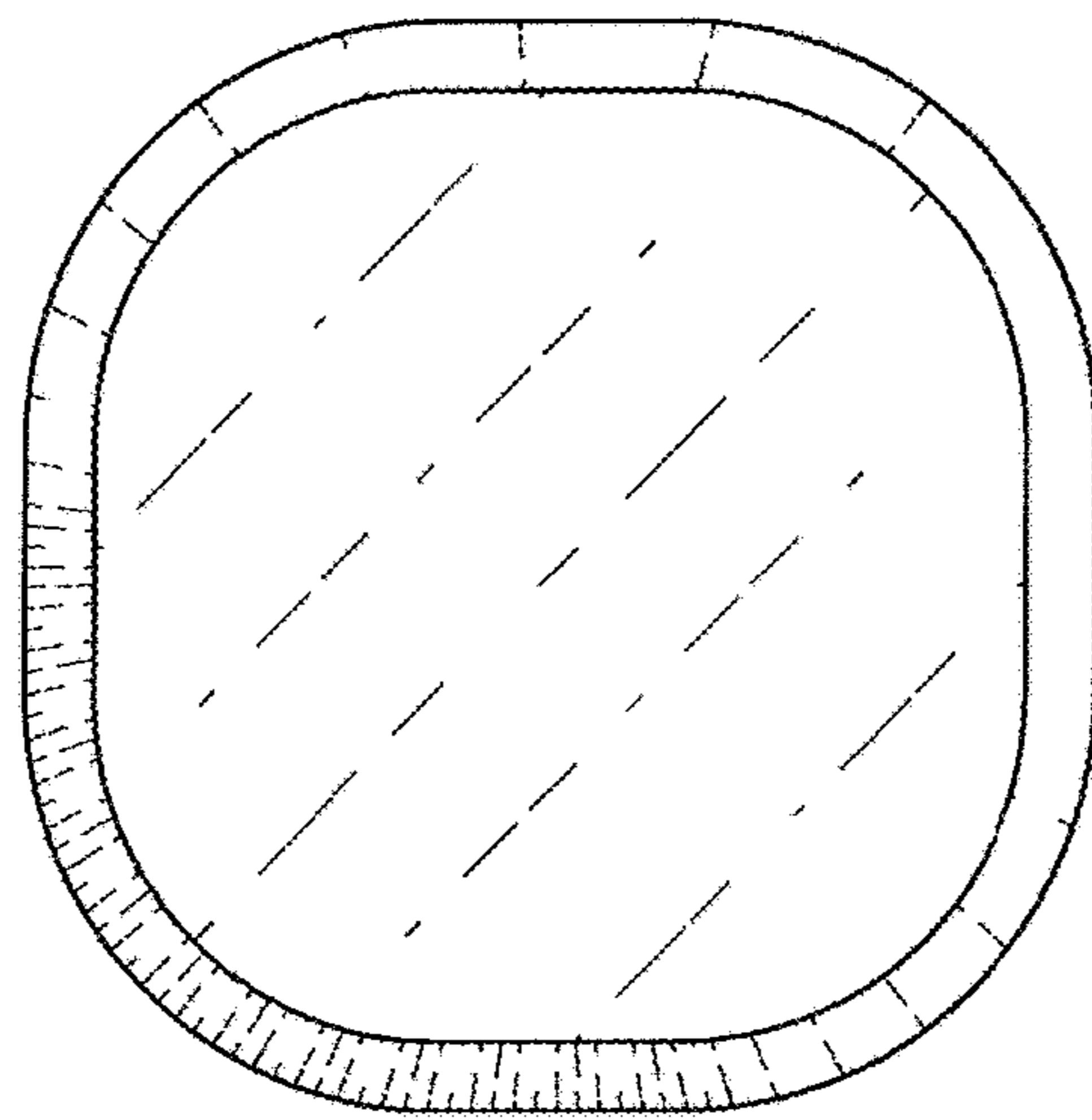


FIG. 6

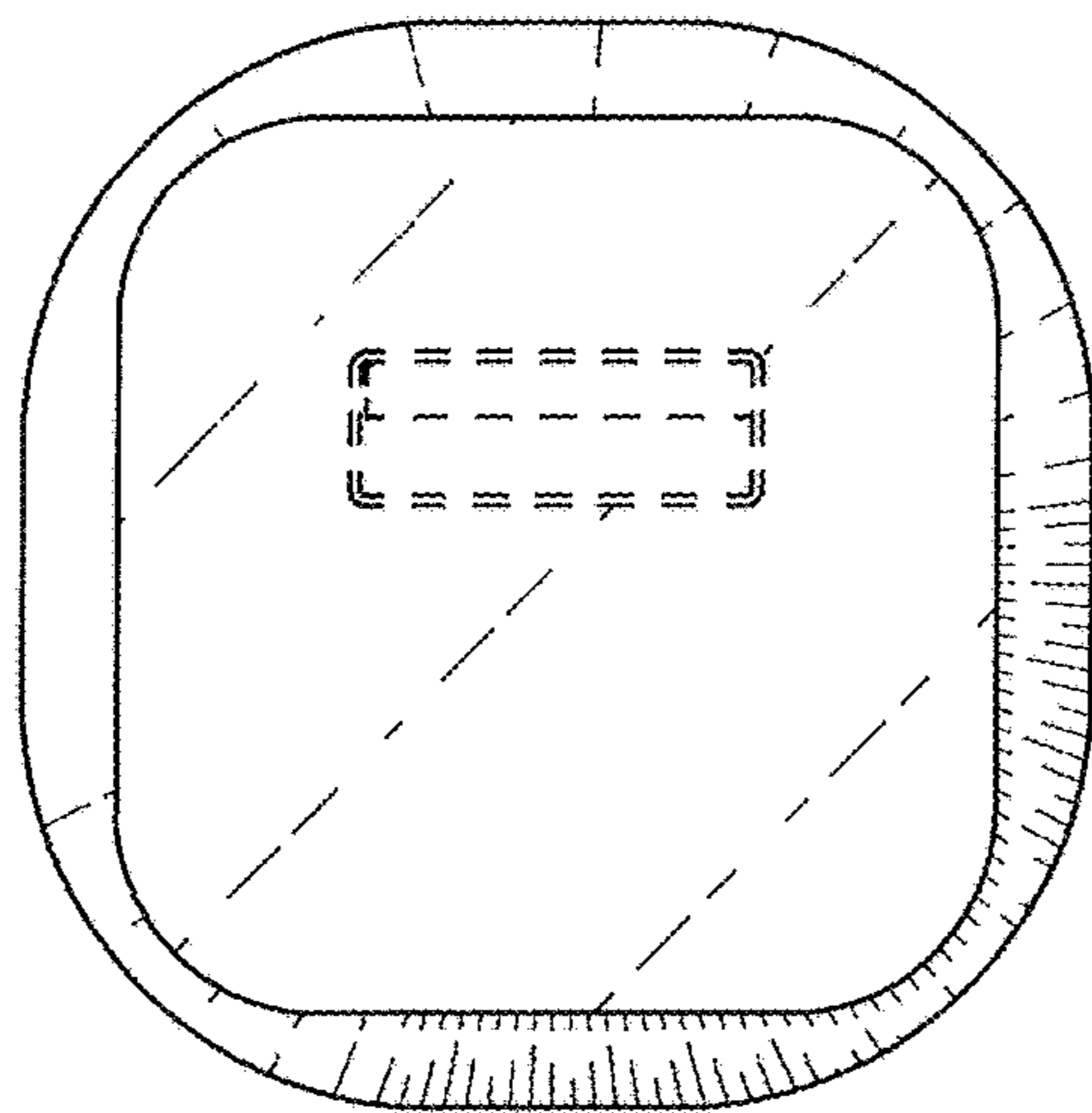


FIG. 7

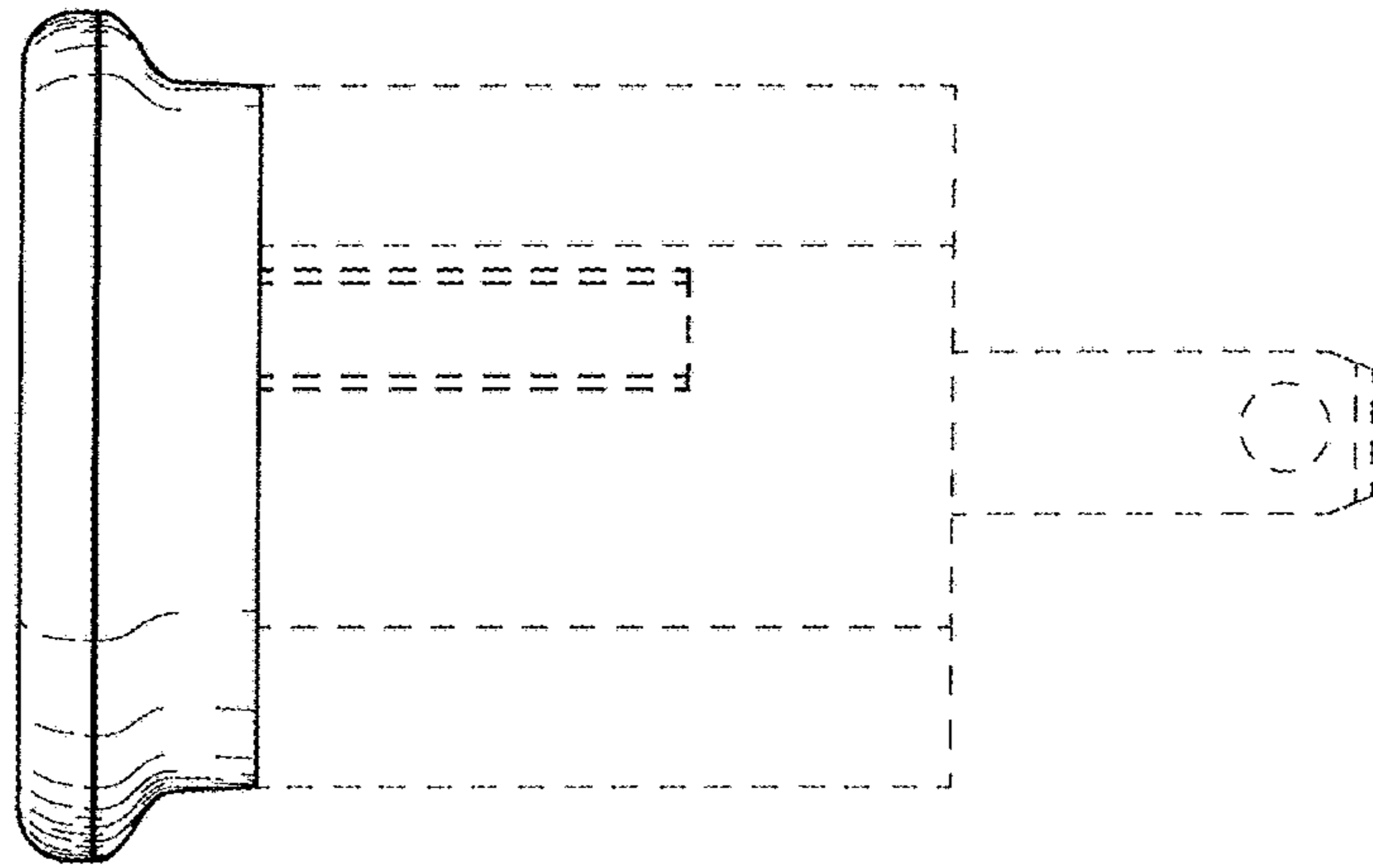


FIG. 8