



US00D835301S

(12) **United States Design Patent** (10) **Patent No.:** **US D835,301 S**  
**Lee** (45) **Date of Patent:** **\*\* Dec. 4, 2018**

(54) **HORIZONTAL FRAME FOR A WALL PANEL**

(71) Applicant: **Chung Jong Lee**, Seoul (KR)

(72) Inventor: **Chung Jong Lee**, Seoul (KR)

(\*\*) Term: **15 Years**

(21) Appl. No.: **29/589,195**

(22) Filed: **Dec. 29, 2016**

(30) **Foreign Application Priority Data**

Jun. 30, 2016 (KR) ..... 30-2016-0032062

(51) **LOC (11) Cl.** ..... **25-01**

(52) **U.S. Cl.**  
USPC ..... **D25/124**

(58) **Field of Classification Search**

USPC ..... D25/119-126, 131-137, 164, 199;  
D12/223, 400; D20/42-44; D34/35;  
D26/138; D8/349, 354, 376, 377, 378,  
D8/380, 381; D6/702, 709, 712, 719  
CPC ... E04C 3/00; E04C 3/005; E04C 3/02; E04C  
3/04; E04C 3/12; E04C 3/20; E04C 3/28;  
E04C 3/30; E04F 19/02; E04F 19/022;  
E04F 19/026; E04F 19/028; E04F 19/04;  
E04F 19/0436; E04F 19/0481; E04F  
19/0486; E04F 19/06; E04F 19/061;  
E06B 1/00; E06B 1/006; E06B 1/02;  
E06B 1/04; E06B 1/045; E06B 1/12;  
E06B 1/16; E06B 1/34; E06B 1/342;  
E06B 1/345; E06B 1/347; E06B 1/36;  
E06B 1/363; E06B 1/366; E06B 1/38;  
E06B 1/40; E06B 1/52; E06B 1/522;  
E06B 1/524; E06B 1/526; E06B 1/528;  
E06B 1/56; E06B 1/60; E06B 1/6092;  
E06B 1/62; E06B 1/70; E06B 1/702;  
E06B 1/705; E06B 1/707; E04B 2/00;  
E04B 2/74; E04B 2/76; E04B 2/761;  
E04B 2/762; E04B 2/763; E04B 2/764;  
E04B 2/765; E04B 2/7854; E04B 2/7863;  
E04B 2/7872; E04B 2/7881; E04B 2/789;

E04B 2001/2436; E04B 2001/2439; E04B  
2001/2442; E04B 2001/2445; E04B  
2001/2448; E04B 2001/2451; E04B  
2001/2454; E04B 2001/2457; E04B  
2001/246; E04B 2001/2463

See application file for complete search history.

(56) **References Cited**

U.S. PATENT DOCUMENTS

D300,568 S \* 4/1989 Dallaire ..... D25/124  
D312,315 S \* 11/1990 Westphal ..... D25/122  
D335,624 S \* 5/1993 Siener ..... D25/123  
D345,222 S \* 3/1994 Hallsten ..... D25/125  
D364,235 S \* 11/1995 Caley ..... D25/122  
D368,315 S \* 3/1996 Davies ..... D25/124

(Continued)

*Primary Examiner* — Cynthia Ramirez

*Assistant Examiner* — L. Martinez-Rivera

(74) *Attorney, Agent, or Firm* — Novick, Kim & Lee,  
PLLC; Jae Youn Kim

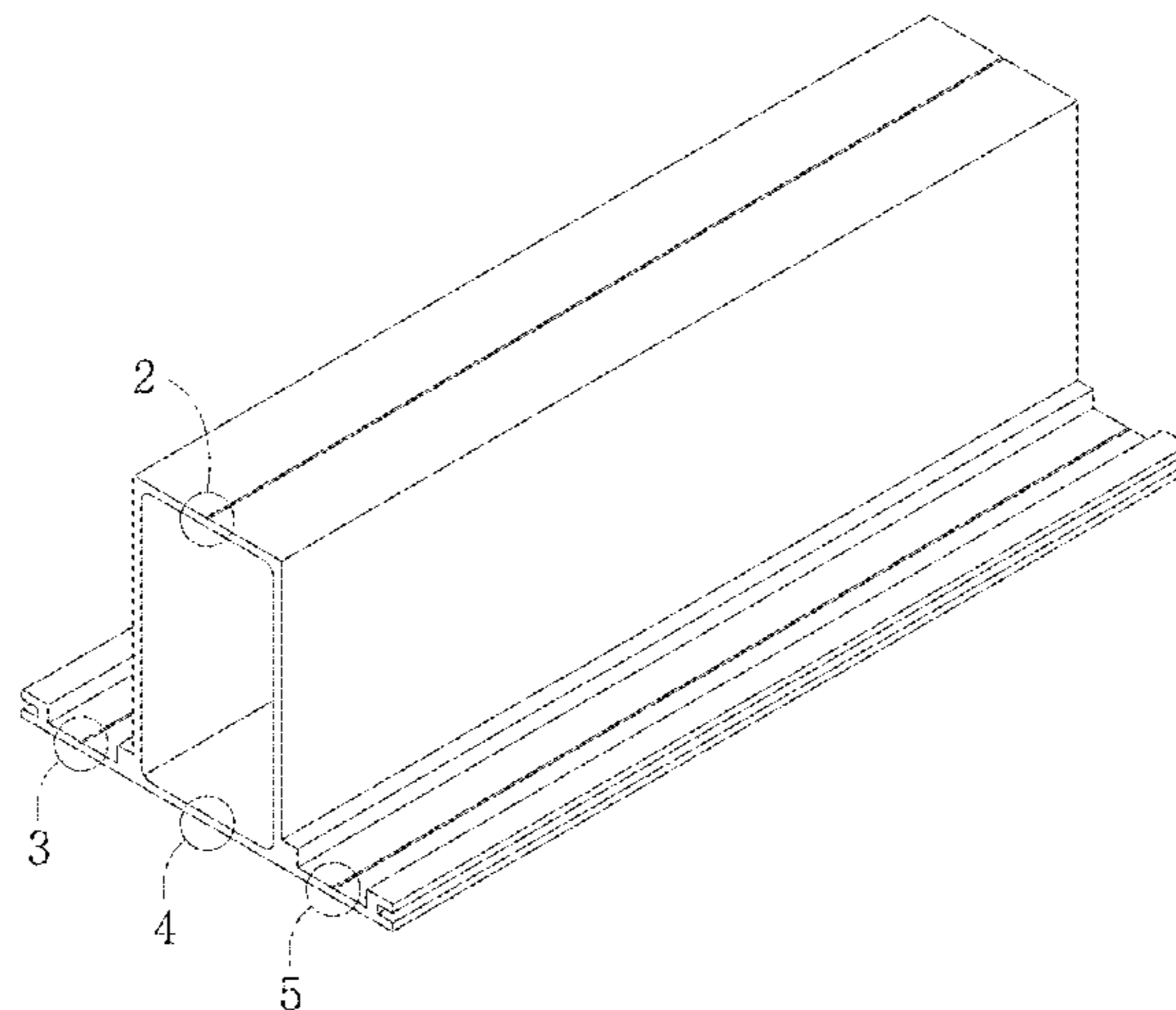
(57) **CLAIM**

The ornamental design for a horizontal frame for a wall panel, as shown and described.

**DESCRIPTION**

FIG. 1 is a perspective view of a horizontal frame for a wall panel showing my new design;  
FIG. 2 is an enlarged view taken on circle 2 of FIG. 1;  
FIG. 3 is an enlarged view taken on circle 3 of FIG. 1;  
FIG. 4 is an enlarged view taken on circle 4 of FIG. 1;  
FIG. 5 is an enlarged view taken on circle 5 of FIG. 1;  
FIG. 6 is a front elevation view thereof;  
FIG. 7 is a rear elevation view thereof;  
FIG. 8 is a left side view thereof;  
FIG. 9 is a right side view thereof;  
FIG. 10 is a top plan view thereof; and,  
FIG. 11 is a bottom plan view thereof.

**1 Claim, 7 Drawing Sheets**



(56)

**References Cited**

U.S. PATENT DOCUMENTS

D376,434 S	*	12/1996	DiGiorgio .....	D25/122
D376,754 S	*	12/1996	Livingston .....	D25/125
D429,347 S	*	8/2000	Doyle .....	D25/124
D583,071 S	*	12/2008	Hull .....	D25/124
D598,138 S	*	8/2009	Bergmann .....	D25/121
D623,342 S	*	9/2010	Klu .....	D26/138

\* cited by examiner

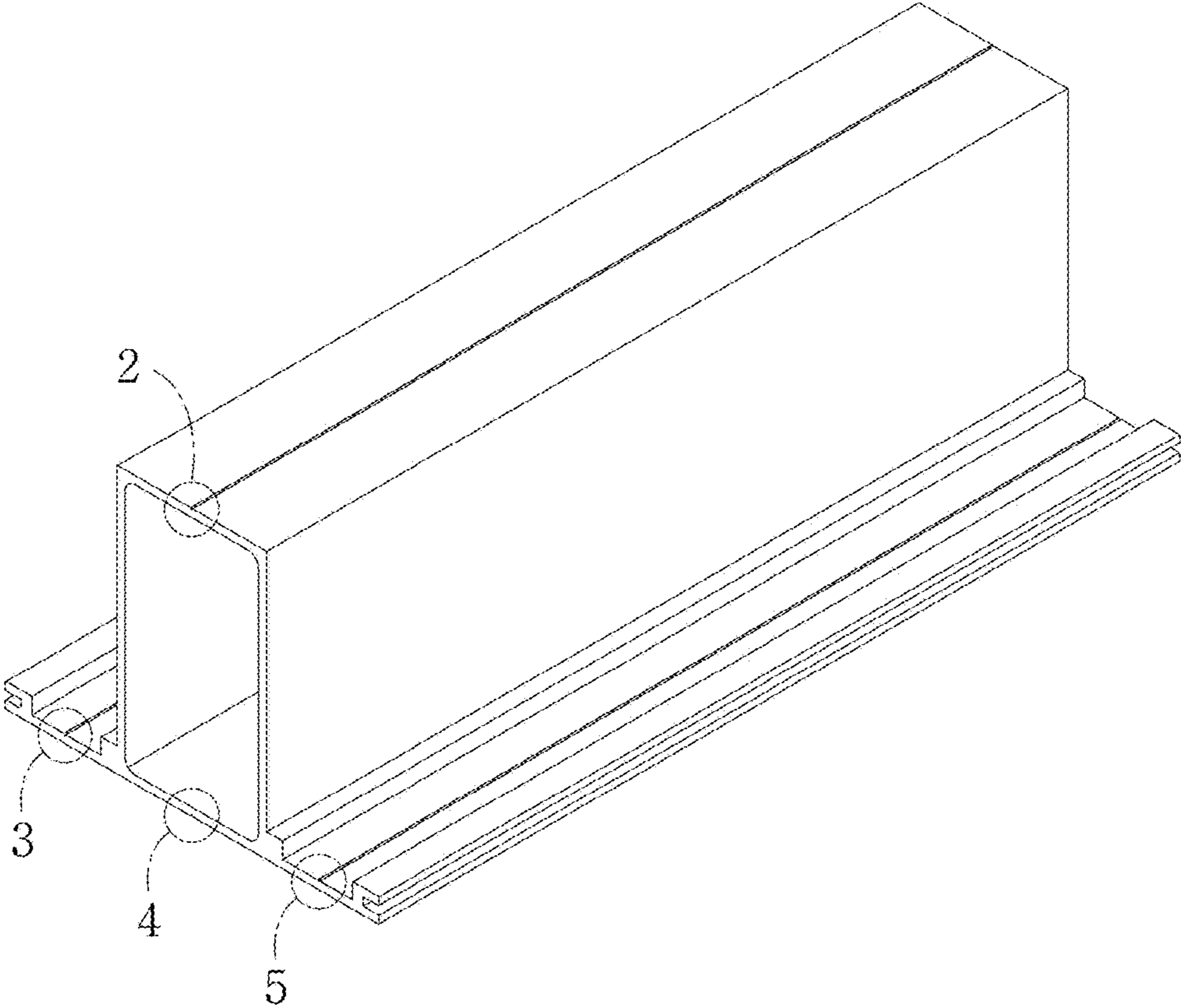
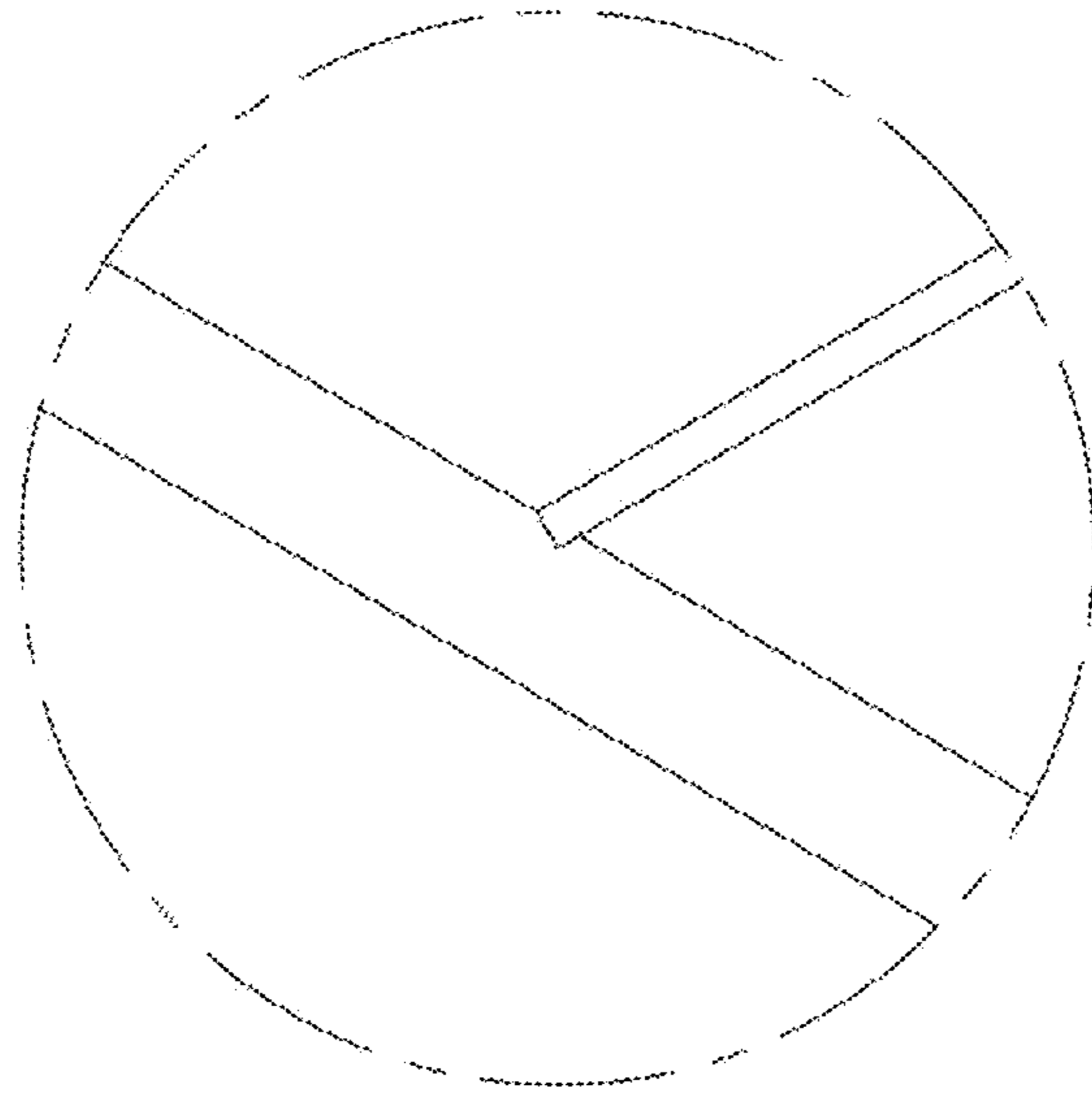
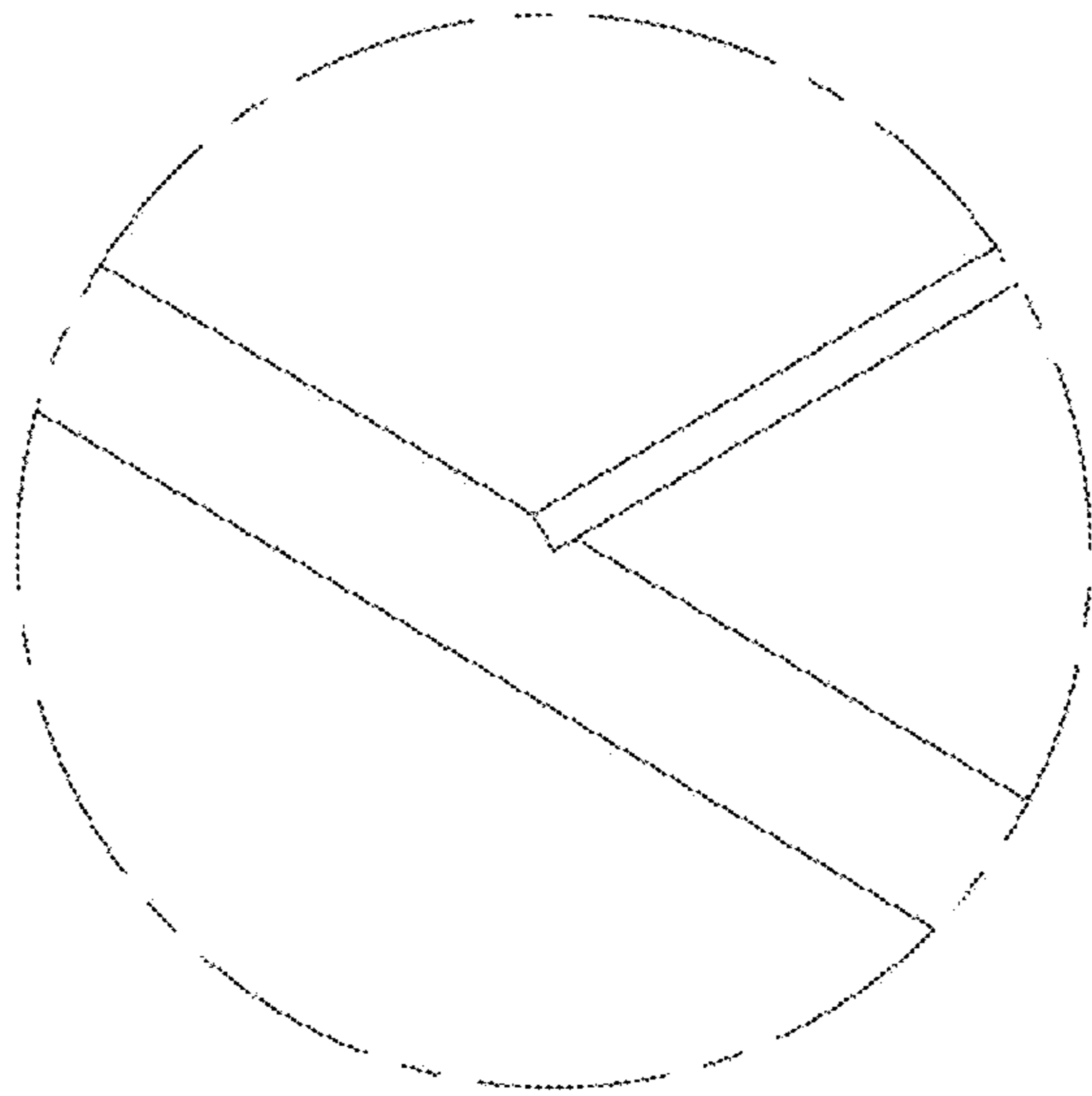


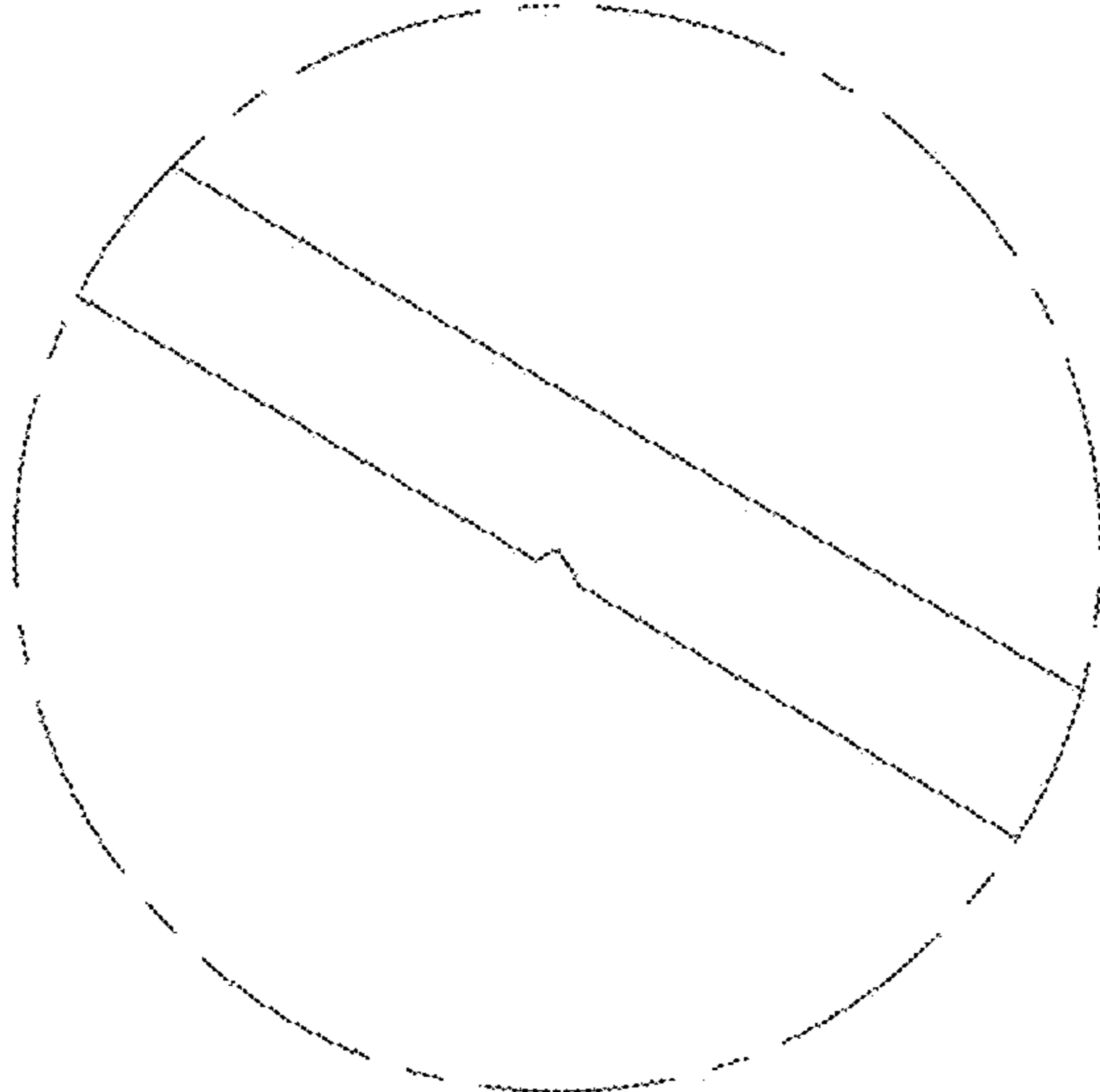
FIG. 1



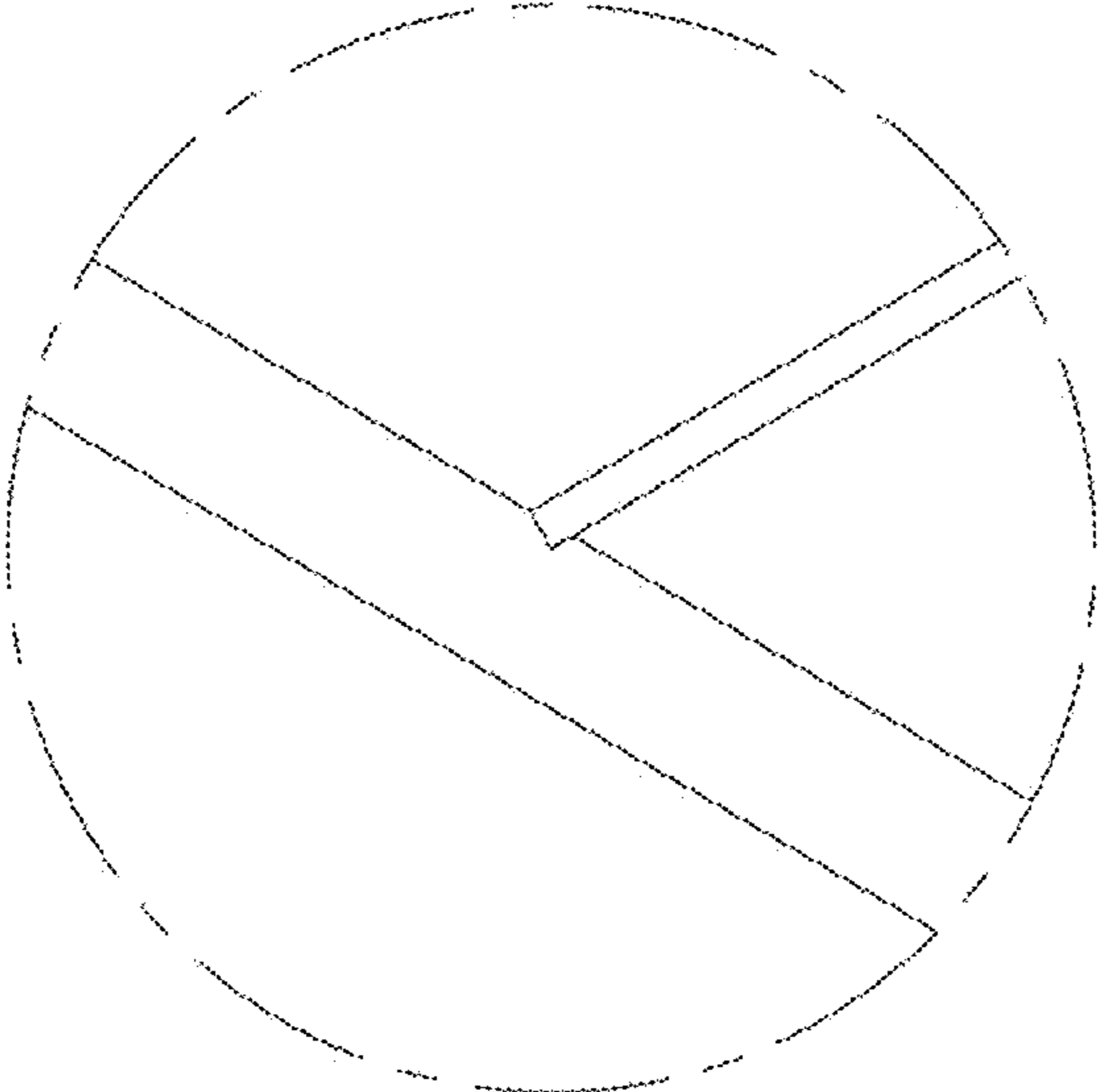
**FIG. 2**



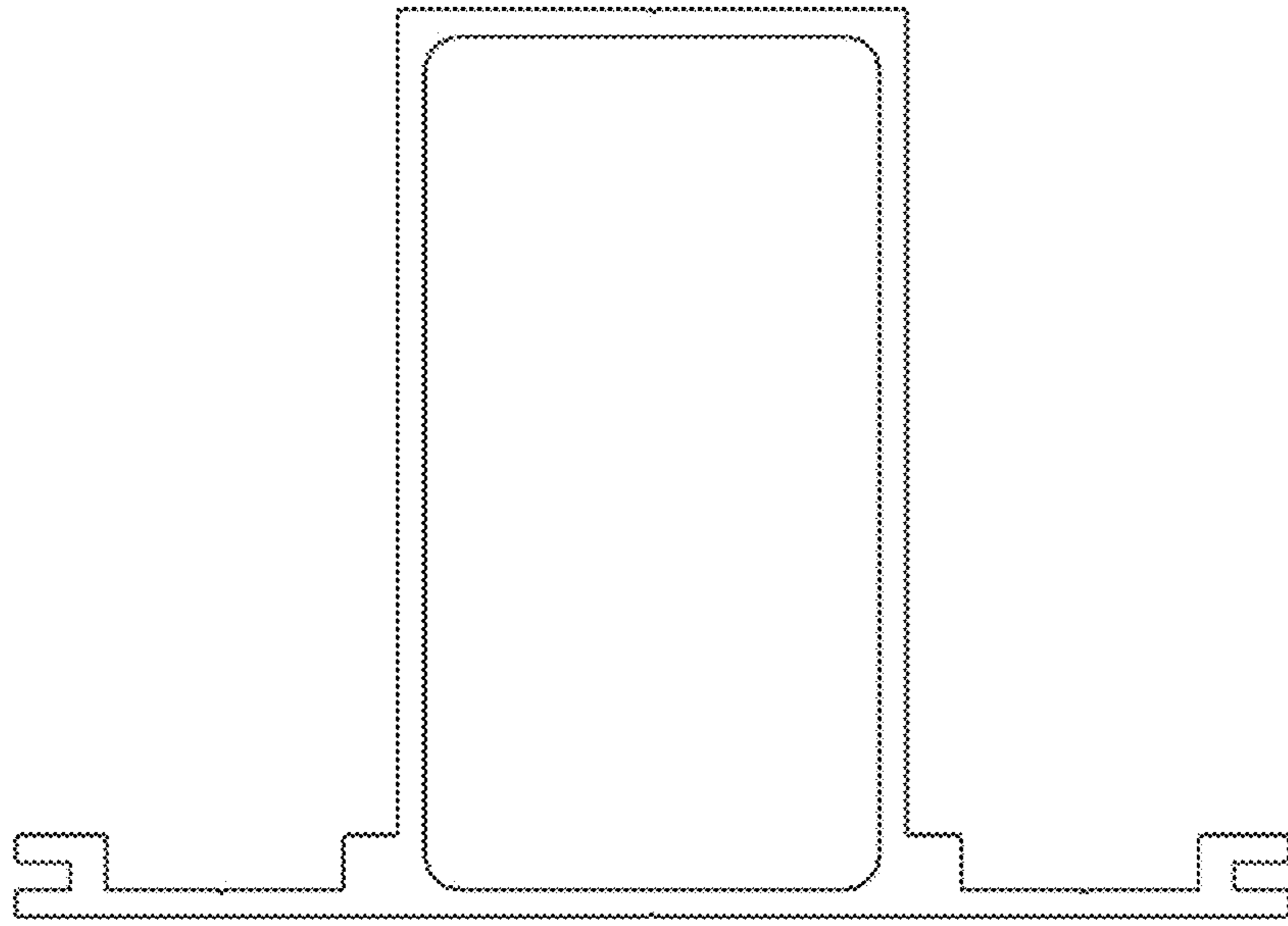
**FIG. 3**



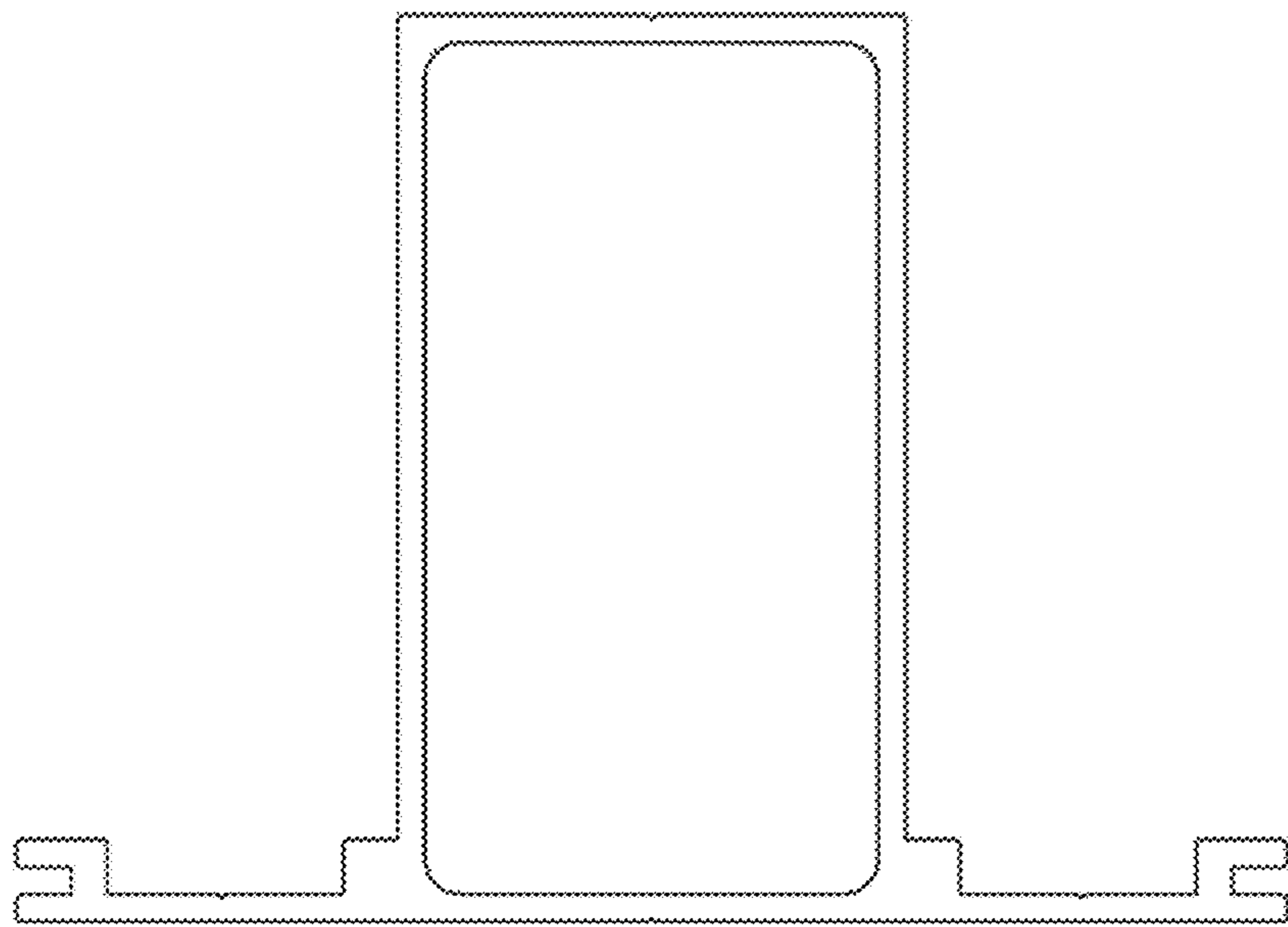
**FIG. 4**



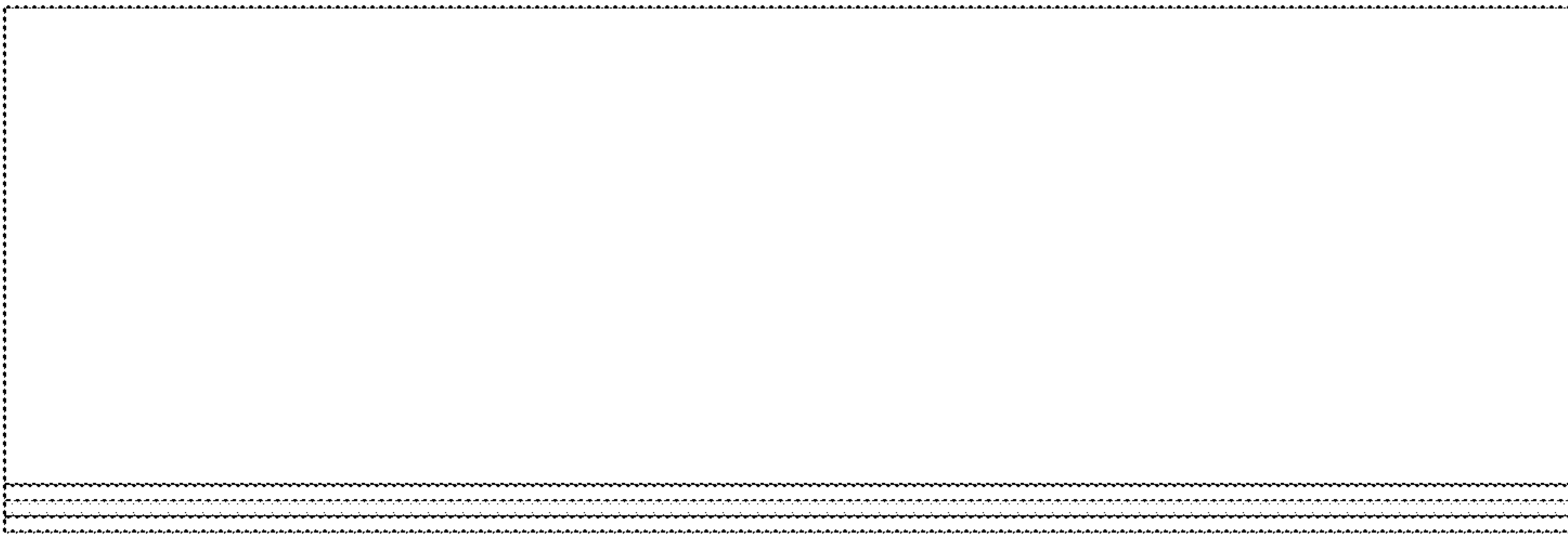
**FIG. 5**



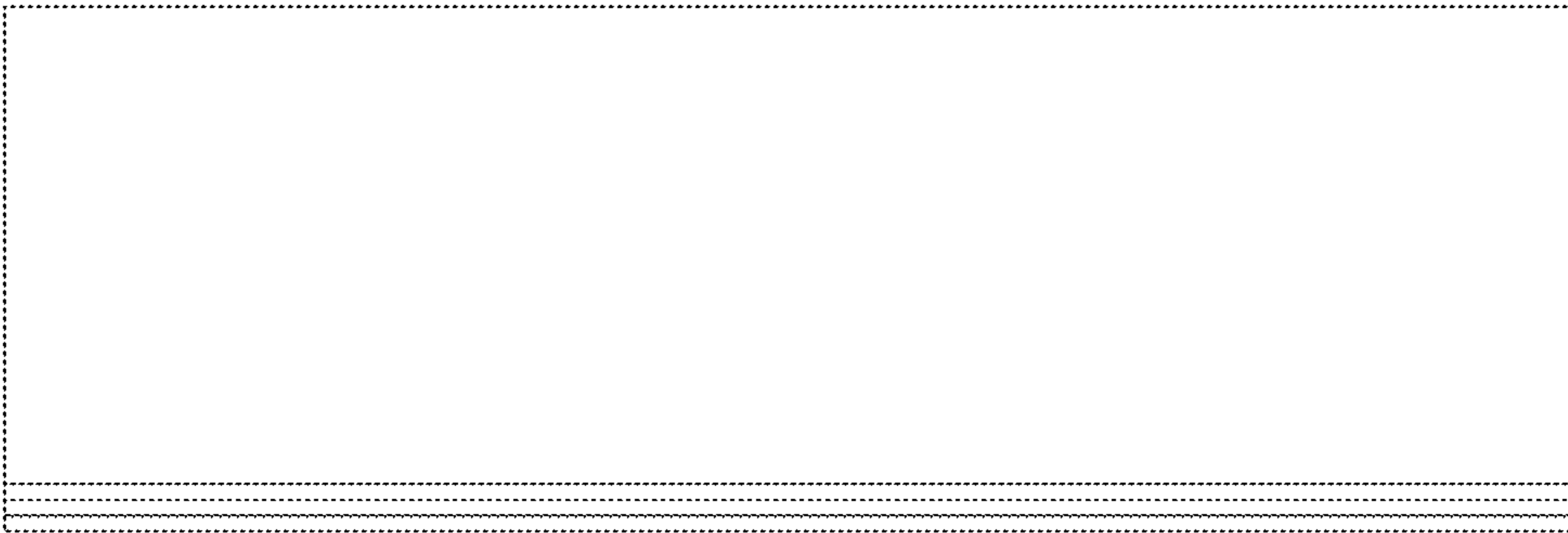
**FIG. 6**



**FIG. 7**



**FIG. 8**

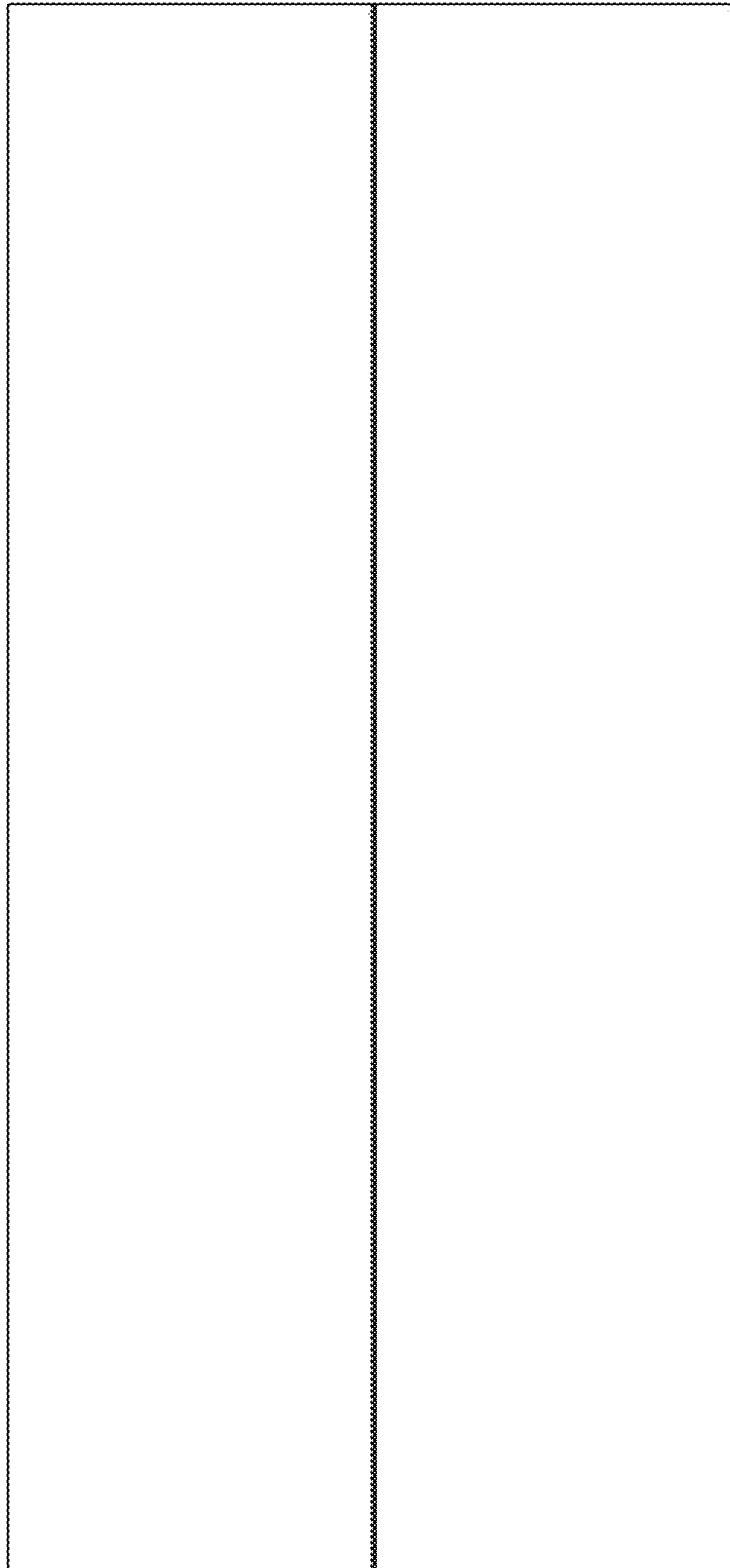


**FIG. 9**









**FIG. 11**