



US00D835300S

(12) **United States Design Patent**
Barrios

(10) **Patent No.:** **US D835,300 S**

(45) **Date of Patent:** **** Dec. 4, 2018**

(54) **STRINGER MADE OF ALUMINUM**

(71) Applicant: **CORAMINE**, Senlis (FR)

(72) Inventor: **Maxime Barrios**, Montmorency (FR)

(**) Term: **15 Years**

(21) Appl. No.: **35/502,675**

(22) Filed: **Jan. 25, 2017**

(80) **Hague Agreement Data**

Int. Filing Date: **Jan. 25, 2017**

Int. Reg. No.: **DM/095167**

Int. Reg. Date: **Jan. 25, 2017**

Int. Reg. Pub. Date: **Mar. 24, 2017**

(51) **LOC (11) Cl.** **25-02**

(52) **U.S. Cl.**

USPC **D25/119**

CPC **E04B 2/60** (2013.01)

(58) **Field of Classification Search**

USPC D25/119-129; 52/831-846

CPC E04B 2/60; E04C 3/07

See application file for complete search history.

(56) **References Cited**

U.S. PATENT DOCUMENTS

- D335,624 S * 5/1993 Siener D25/123
- D348,525 S * 7/1994 Dallaire D25/123
- D381,087 S * 7/1997 DiGiorgio D25/123
- D395,525 S * 6/1998 Rinot D25/122

- D401,357 S * 11/1998 Rinot D25/122
- 6,519,911 B1 * 2/2003 Sawada E04C 3/07
52/309.9
- 6,748,705 B2 * 6/2004 Orszulak E04B 2/767
52/167.1
- D540,479 S * 4/2007 Antonic D25/122
- D619,447 S * 7/2010 Liu D25/124
- 7,891,155 B2 * 2/2011 Surowiecki E04B 2/60
29/897.35
- D645,576 S * 9/2011 Trower D25/122
- D666,743 S * 9/2012 Teffenhart, Jr. D25/124
- D732,703 S * 6/2015 Kreutzman D25/122
- D734,503 S * 7/2015 Massingham D25/124
- D753,425 S * 4/2016 Johansson D25/119
- D796,110 S * 8/2017 Klus D26/138
- D801,551 S * 10/2017 Boehl D25/126
- 2005/0257486 A1 * 11/2005 Ching E04C 3/09
52/847

* cited by examiner

Primary Examiner — Richard E Chilcot

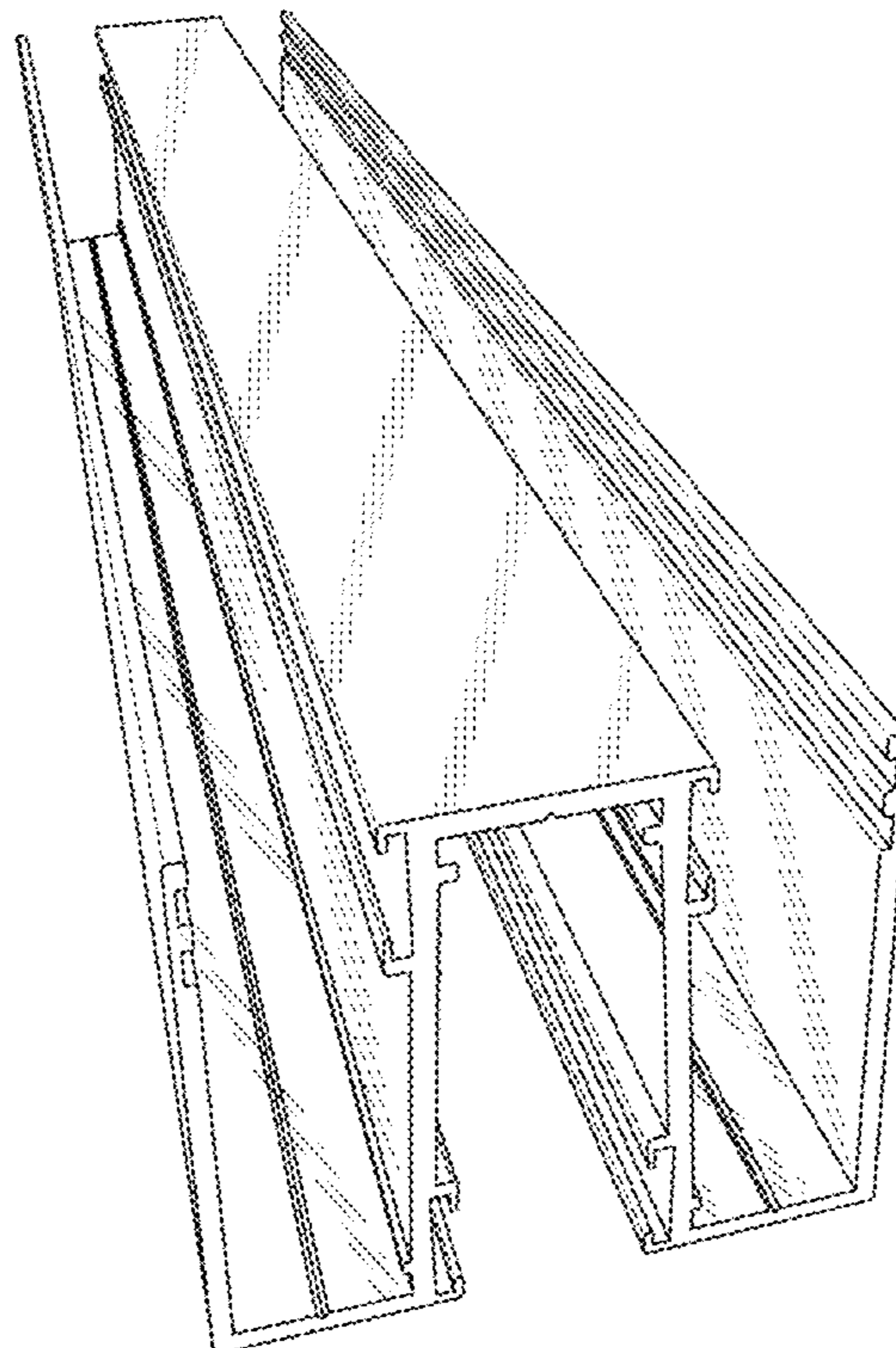
(57) **CLAIM**

The ornamental design for a stringer made of aluminum, as shown and described.

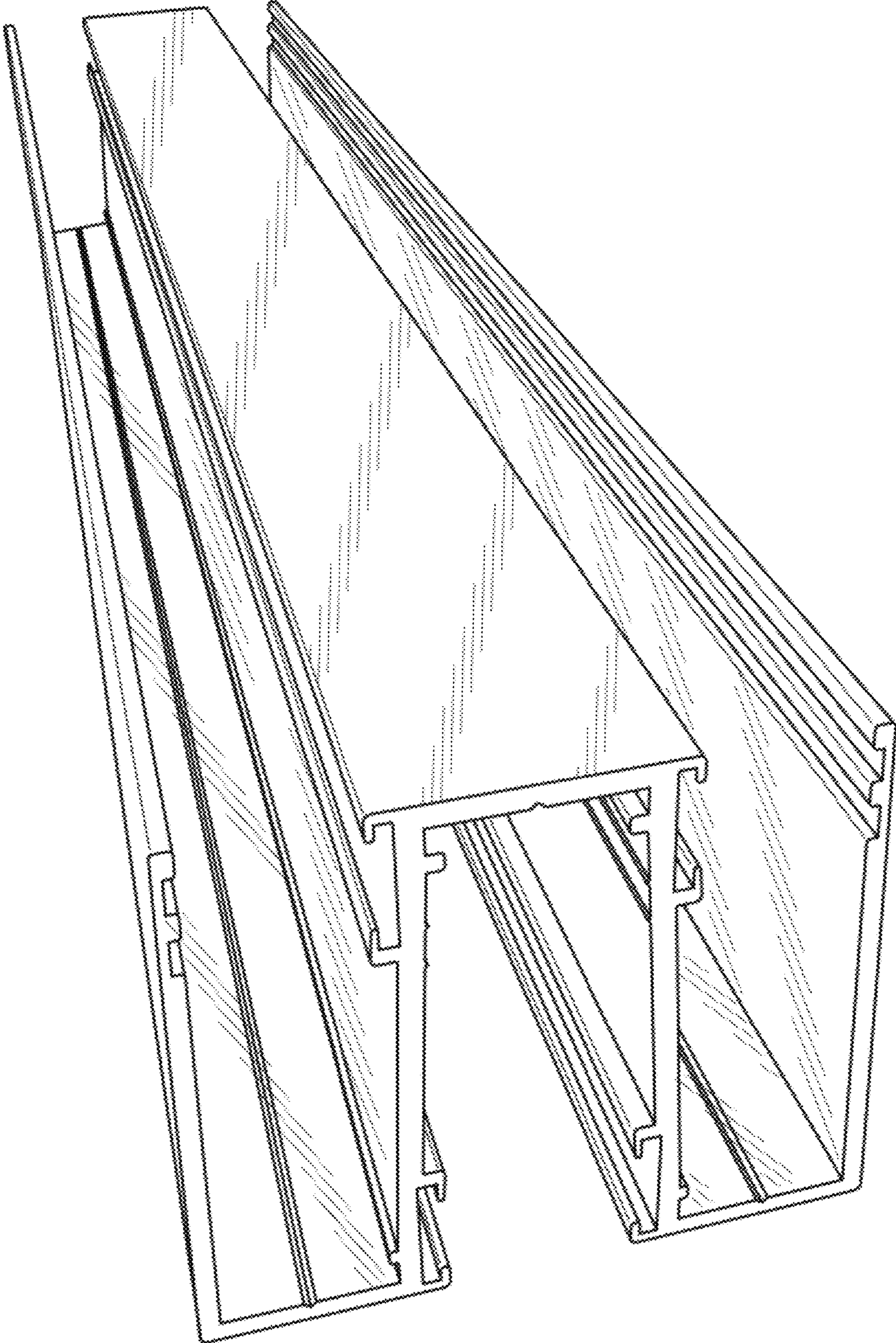
DESCRIPTION

- 1. Stringer made of aluminum
- 1.1 Top perspective view
- 1.2 Front view
- 1.3 Top view
- 1.4 Bottom view
- 1.5 Bottom perspective view

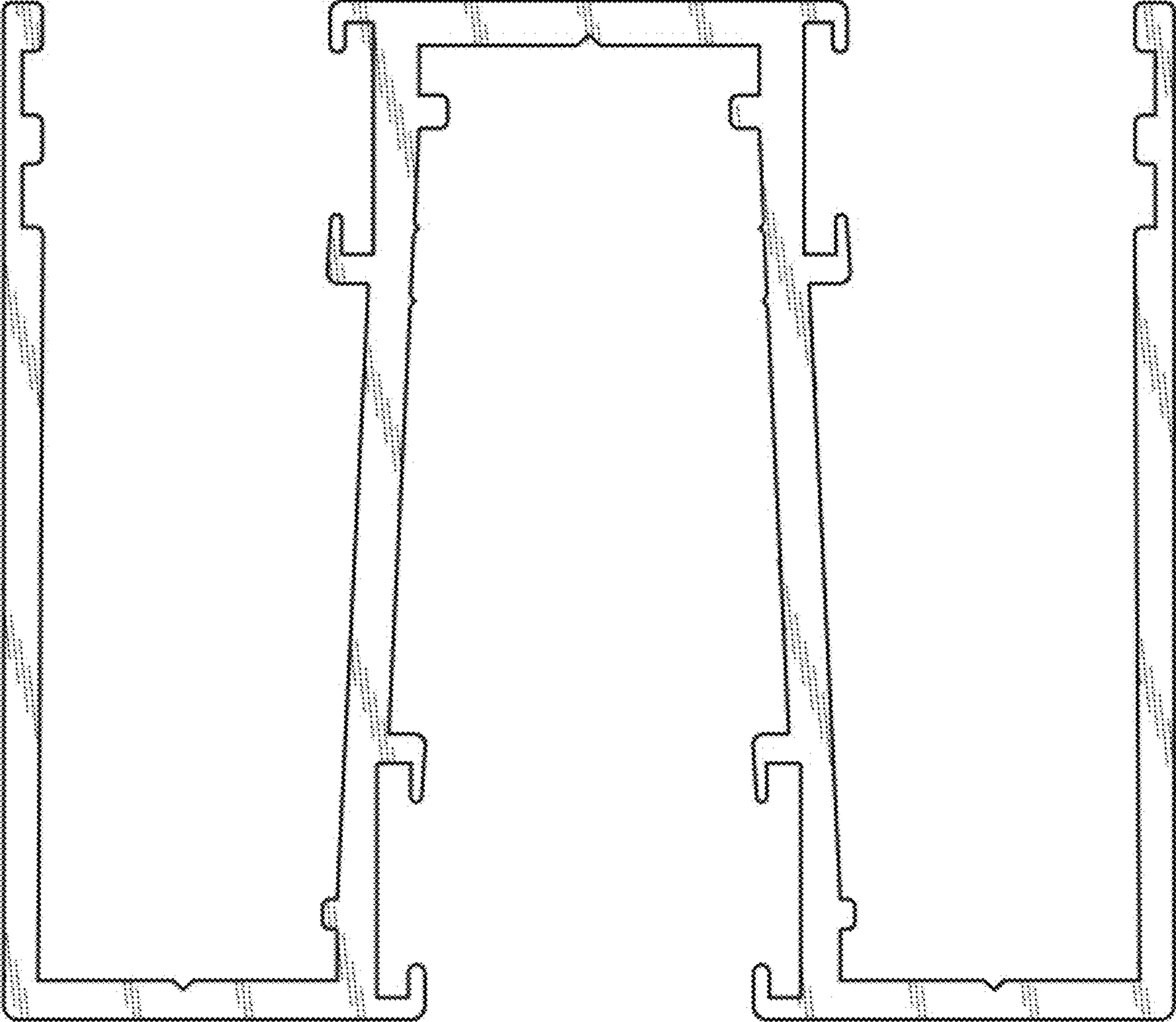
1 Claim, 5 Drawing Sheets



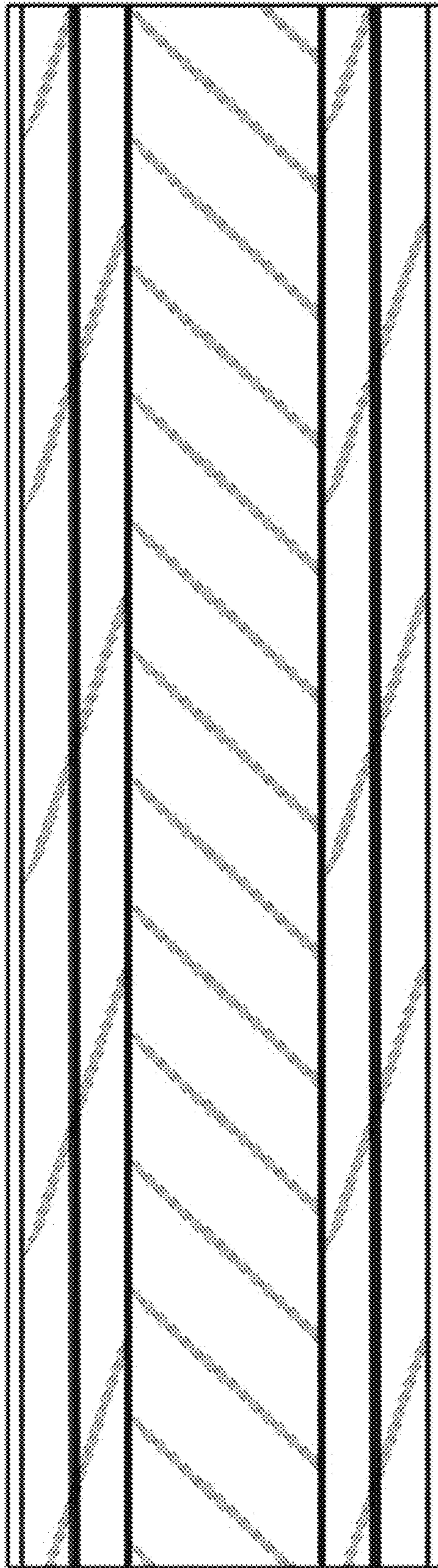
1.1



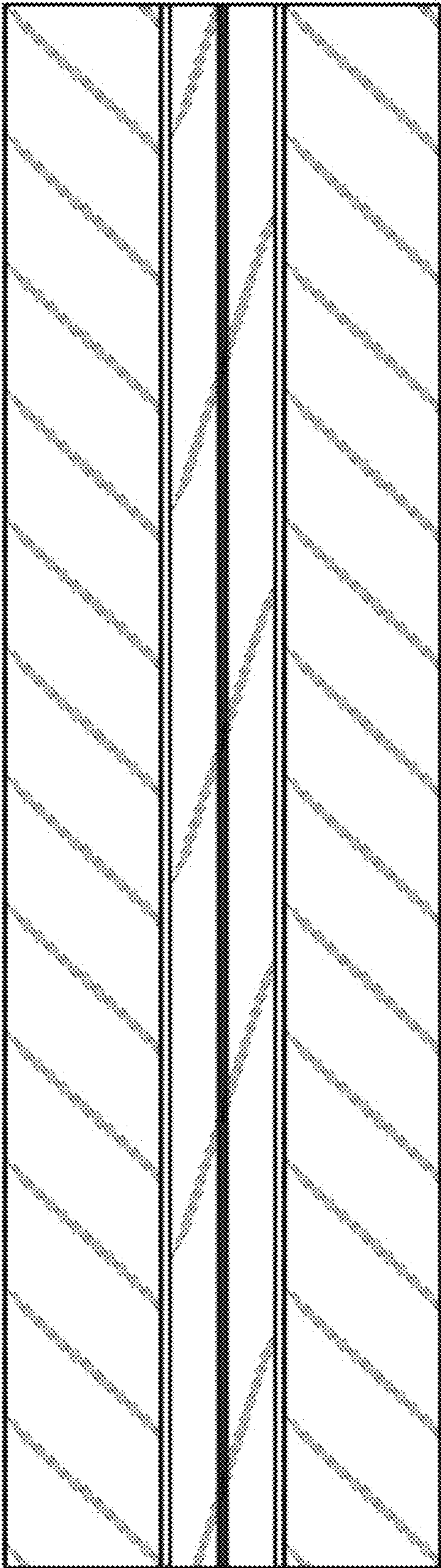
1.2



1.3



1.4



1.5

