



US00D835298S

(12) **United States Design Patent**  
**Mohamed**

(10) **Patent No.:** **US D835,298 S**  
(45) **Date of Patent:** **\*\* Dec. 4, 2018**

(54) **CONSTRUCTION BLOCK**

- (71) Applicant: **Gouda-Torgerson Building Systems LLC**, West Point, CA (US)
  - (72) Inventor: **Hazem Hosny Gouda Mohamed**, New Bani Sweif (EG)
  - (73) Assignee: **Gouda-Torgerson Building Systems LLC**, West Point, CA (US)
  - (\*\*) Term: **15 Years**
  - (21) Appl. No.: **29/592,907**
  - (22) Filed: **Feb. 3, 2017**
  - (51) **LOC (11) Cl.** ..... **25-01**
  - (52) **U.S. Cl.**  
USPC ..... **D25/113**
  - (58) **Field of Classification Search**  
USPC ..... **D25/112-118**
- (Continued)

(56) **References Cited**

U.S. PATENT DOCUMENTS

- 1,356,590 A \* 10/1920 Baumann ..... E04B 2/22  
52/284
- 4,148,166 A \* 4/1979 Toone ..... E04B 2/44  
52/270

(Continued)

*Primary Examiner* — Susan Bennett Hattan  
*Assistant Examiner* — Leanne Was-Englehart  
(74) *Attorney, Agent, or Firm* — LeClairRyan

(57) **CLAIM**

The ornamental design for a construction block, as shown and described.

**DESCRIPTION**

FIG. 1 is a perspective view from the lower right side of a first embodiment of the construction block in accordance with my design;

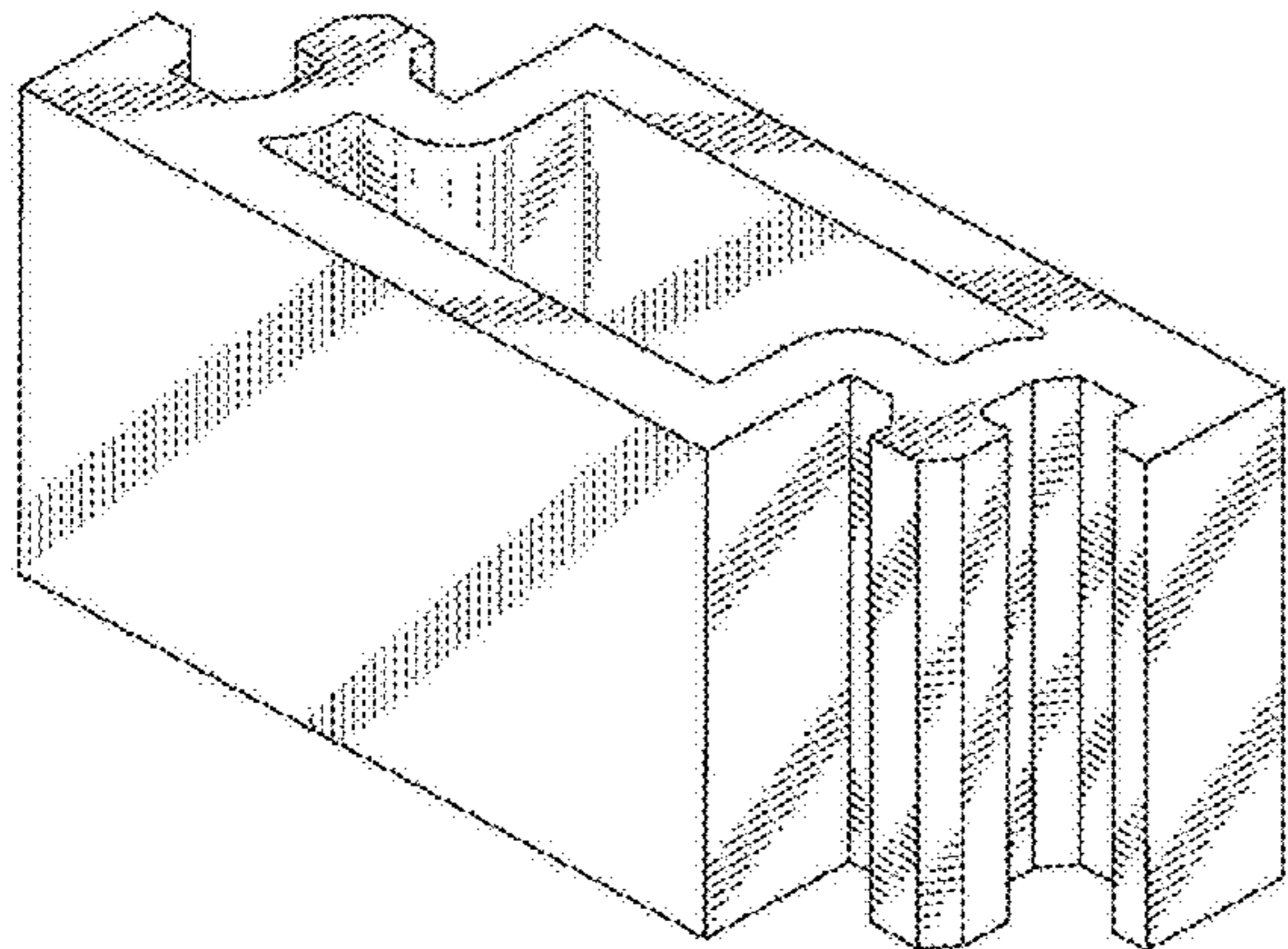


FIG. 2 is a perspective view from the upper left side of the first embodiment of the construction block in accordance with my design;

FIG. 3 is a perspective view from the right side of the first embodiment of the construction block in accordance with my design;

FIG. 4 is a top view of the first embodiment of the construction block in accordance with my design;

FIG. 5 is a bottom view of the first embodiment of the construction block in accordance with my design;

FIG. 6 is a front view of the first embodiment of the construction block in accordance with my design;

FIG. 7 is a back view of the first embodiment of the construction block in accordance with my design;

FIG. 8 is a right side view of the first embodiment of the construction block in accordance with my design;

FIG. 9 is a left side view of the first embodiment of the construction block in accordance with my design;

FIG. 10 is a perspective view from the lower right side of a second embodiment of the construction block in accordance with my design;

FIG. 11 is a perspective view from the upper left side of the second embodiment of the construction block in accordance with my design;

FIG. 12 is a perspective view from the right side of the second embodiment of the construction block in accordance with my design;

FIG. 13 is a top view of the second embodiment of the construction block in accordance with my design;

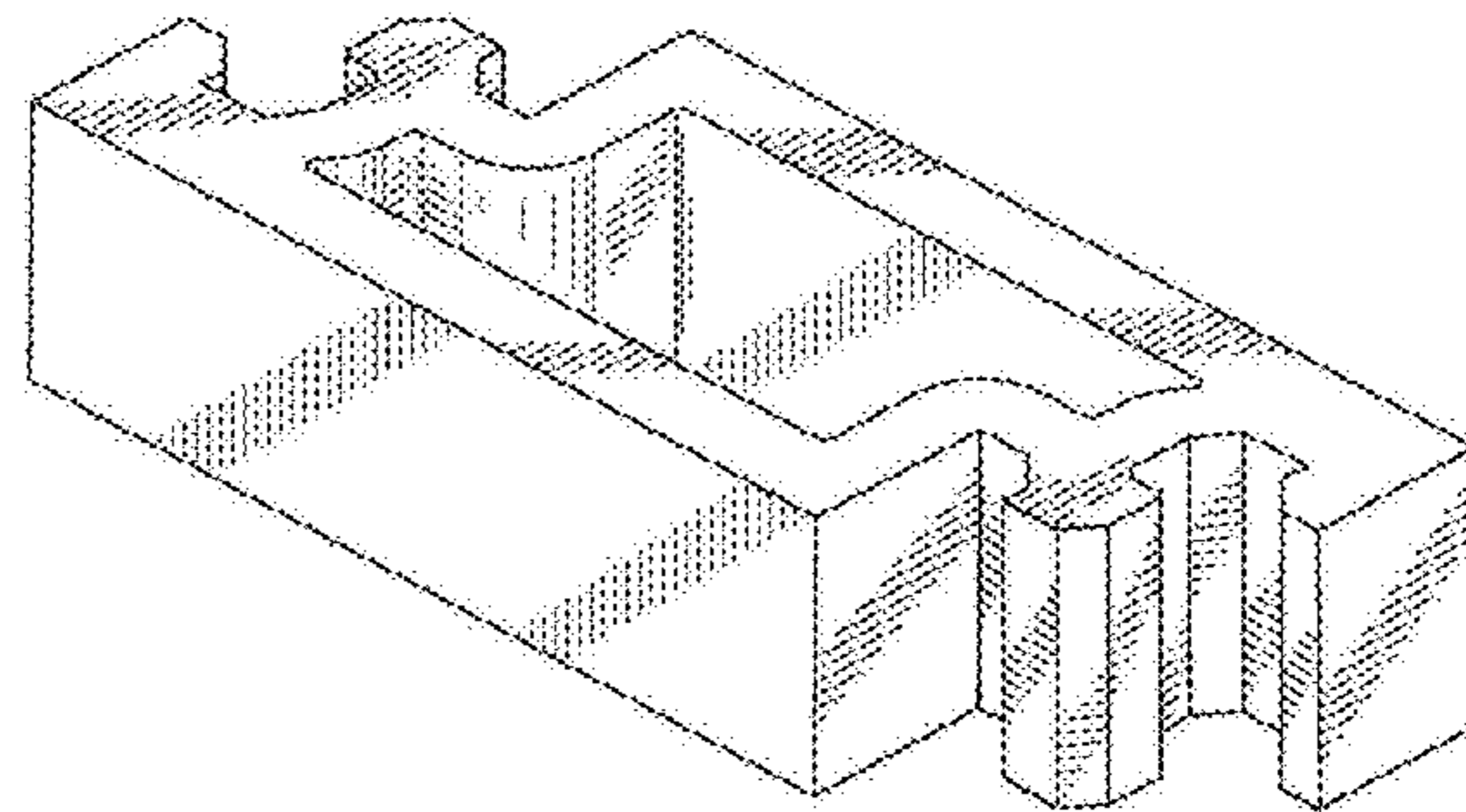
FIG. 14 is a bottom view of the second embodiment of the construction block in accordance with my design;

FIG. 15 is a front view of the second embodiment of the construction block in accordance with my design;

FIG. 16 is a back view of the second embodiment of the construction block in accordance with my design;

FIG. 17 is a side view of the second embodiment of the construction block in accordance with my design; and,

FIG. 18 is a side view of the second embodiment of the construction block in accordance with my design.



**1 Claim, 12 Drawing Sheets**

(58) **Field of Classification Search**

CPC ..... E04B 2/18; E04B 2/22; E04B 2/24; E04B  
2/42; B28B 1/14; B28B 7/0079; E04C  
1/39; E04C 1/395; E04C 1/397; E04C  
3/00; E04C 3/04; E04C 3/12; E04C 3/28;  
E04C 3/30

See application file for complete search history.

(56) **References Cited**

U.S. PATENT DOCUMENTS

D313,857	S *	1/1991	Gabriel	.....	D25/113
6,508,041	B1 *	1/2003	Boot	.....	E04B 2/18 52/578
D540,475	S *	4/2007	Price	.....	D25/113
D540,476	S *	4/2007	Price	.....	D25/113
7,823,360	B1 *	11/2010	Cottle	.....	E04B 2/42 52/604
8,678,704	B1 *	3/2014	Smith	.....	E02B 3/14 405/16
D745,980	S *	12/2015	Kobelev	.....	E04C 3/00 D25/113
D772,431	S *	11/2016	Norton	.....	D25/113
2014/0119831	A1 *	5/2014	Hill	.....	E02B 3/14 405/16

\* cited by examiner

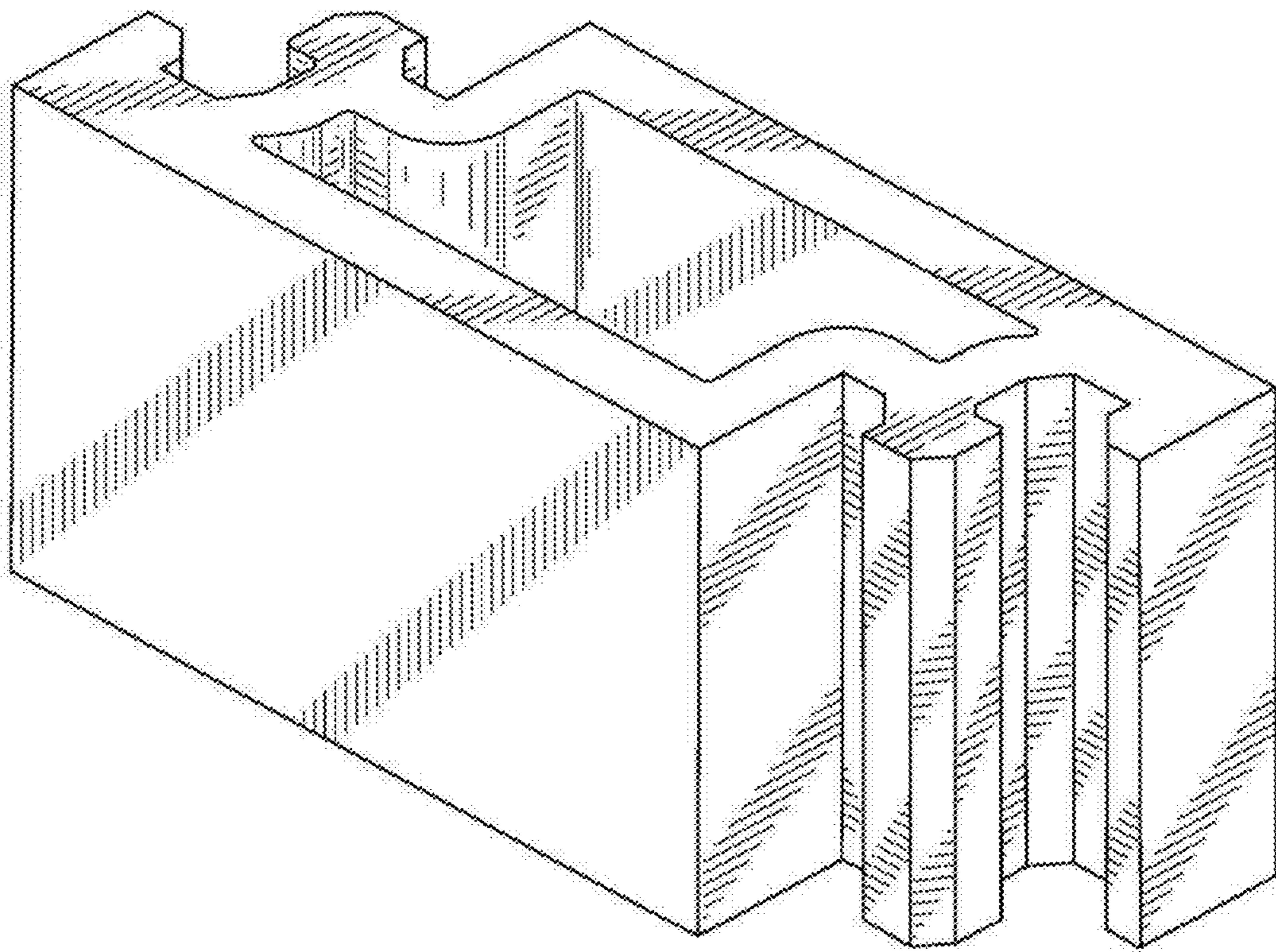


FIG. 1

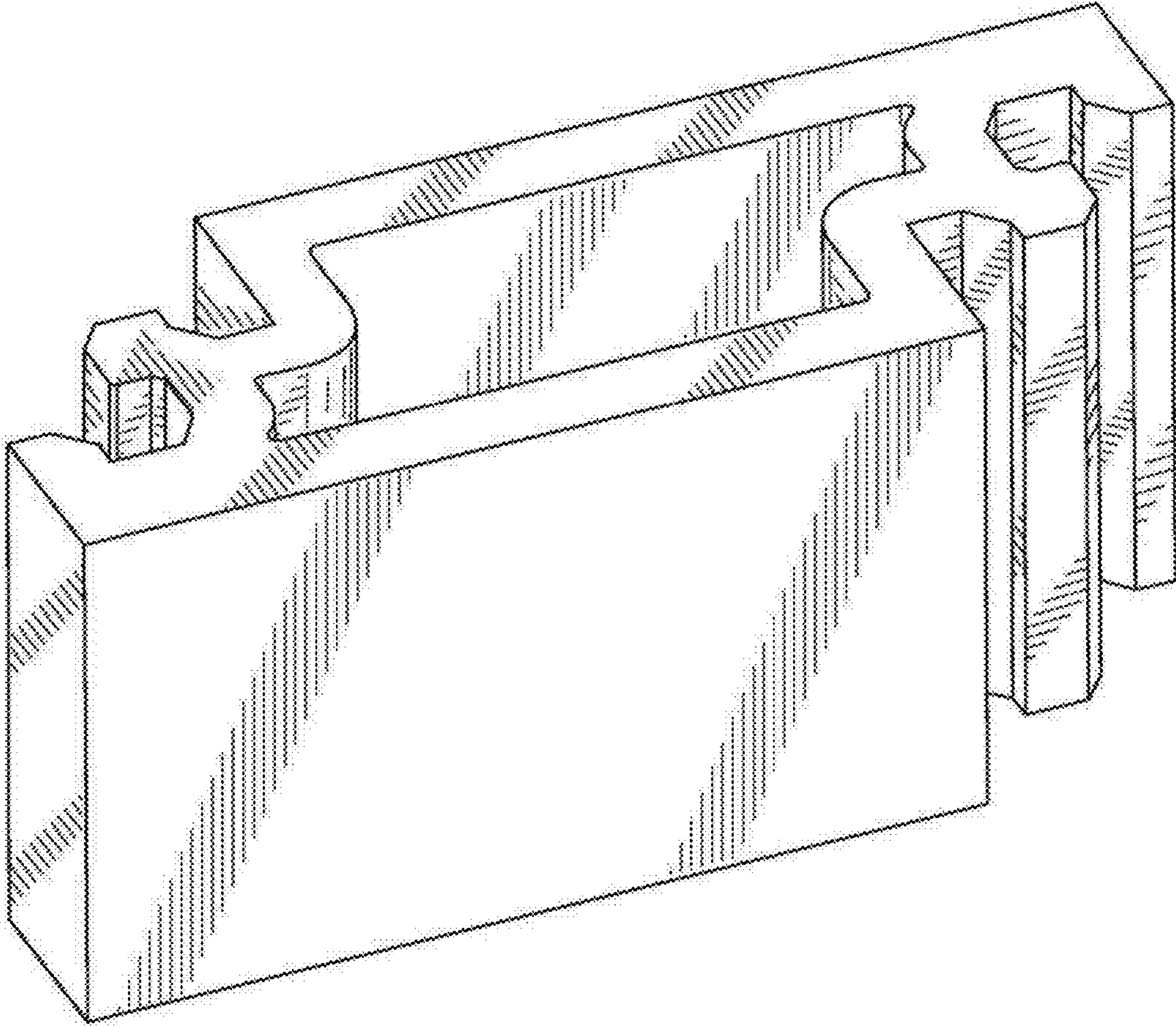


FIG. 2

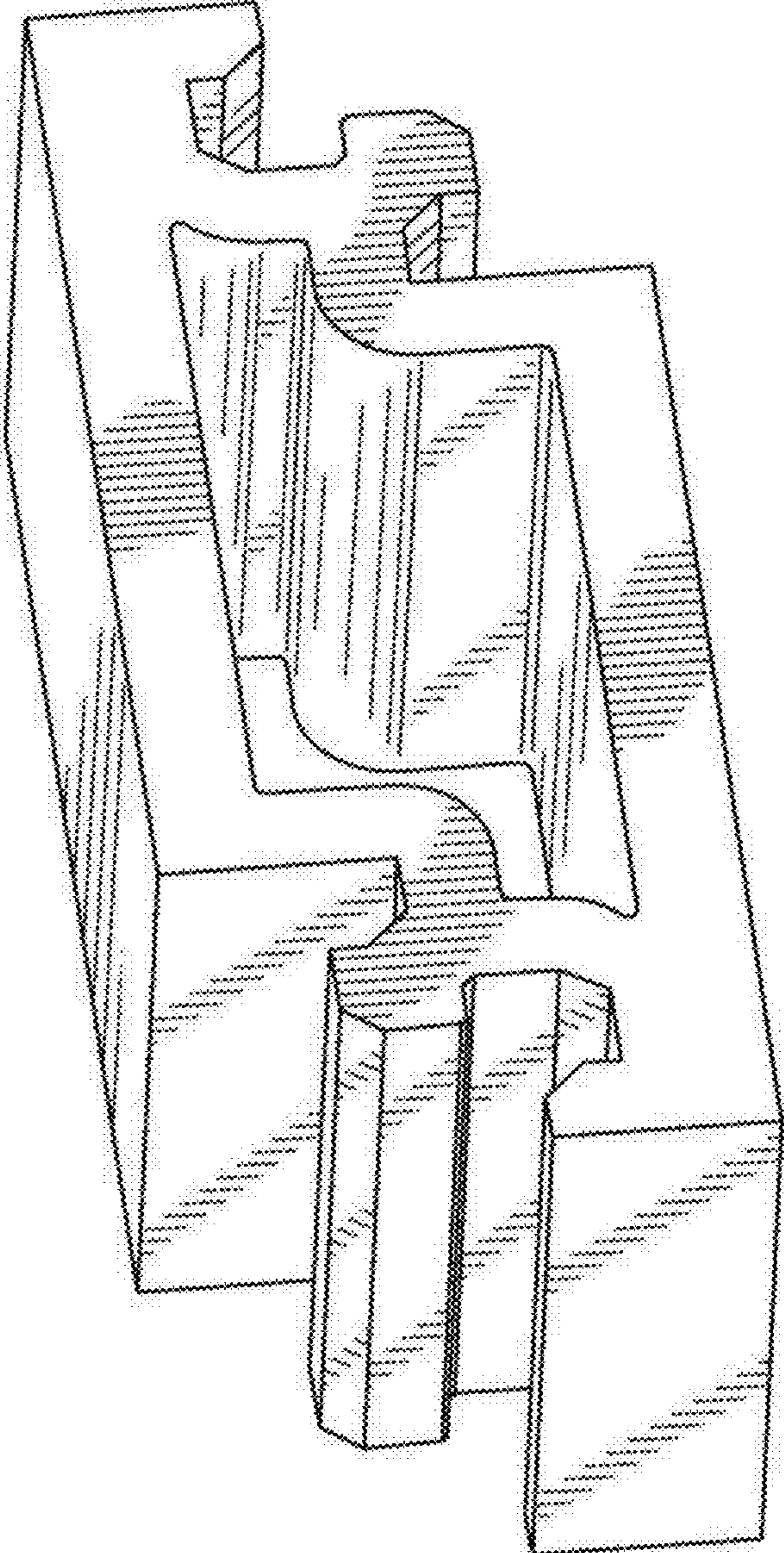


FIG. 3

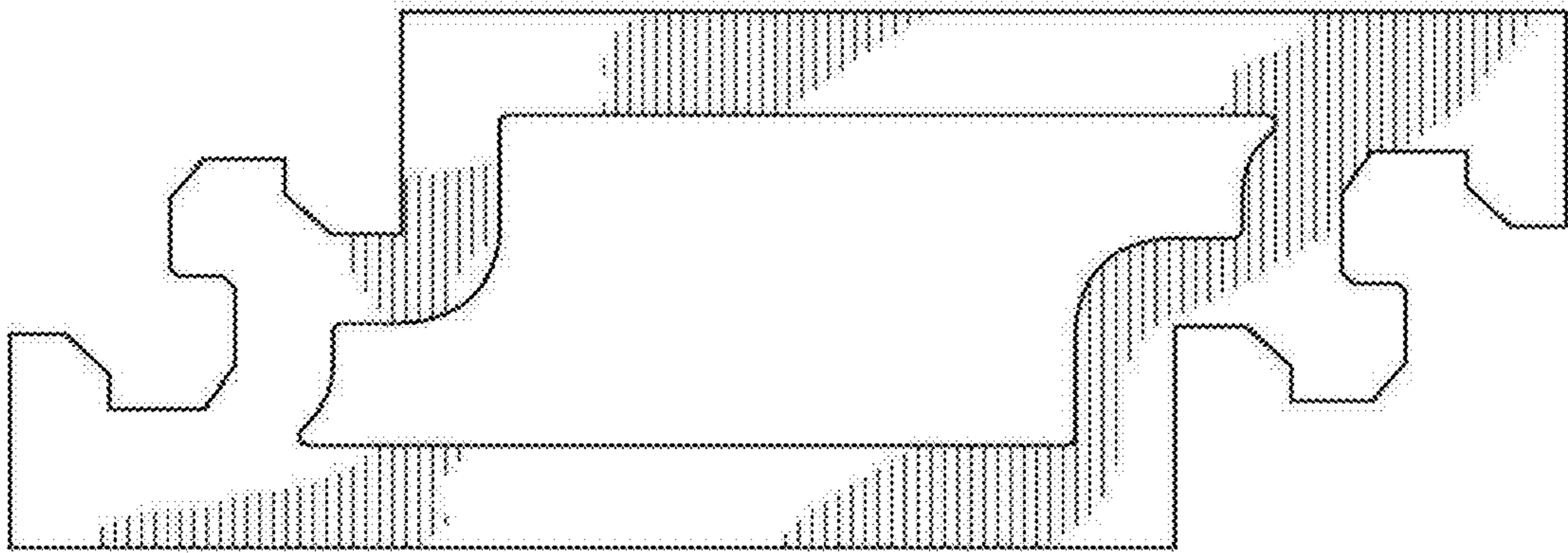


FIG. 4

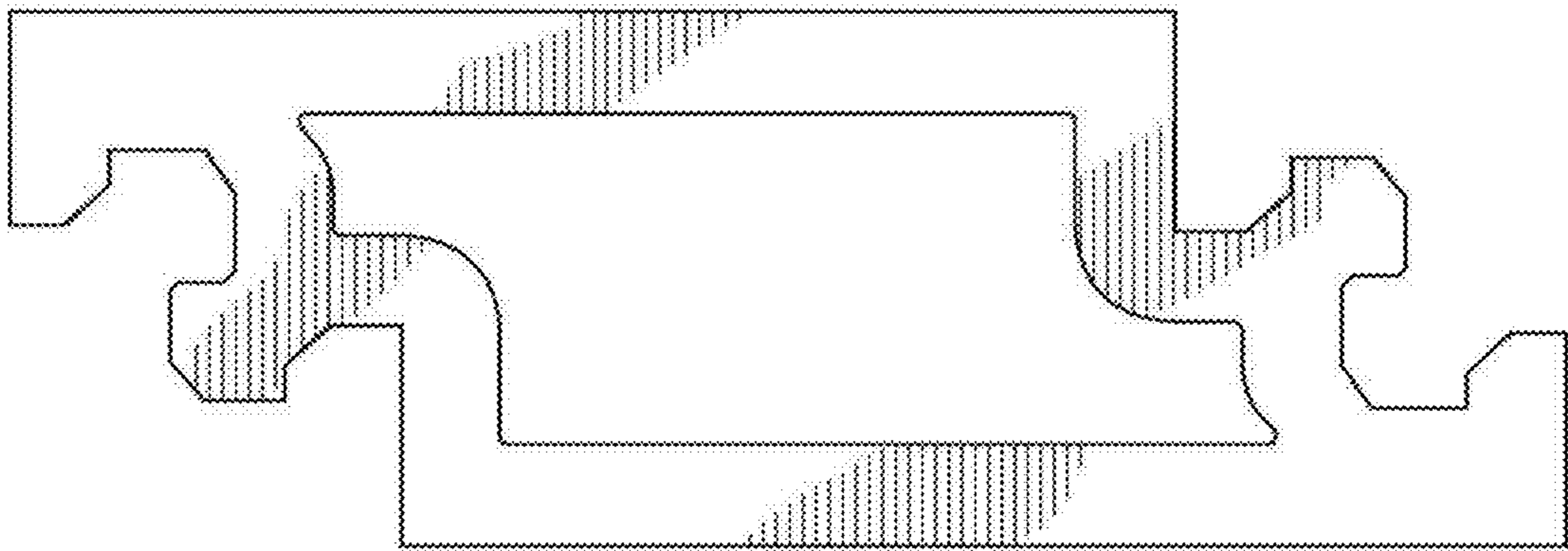


FIG. 5

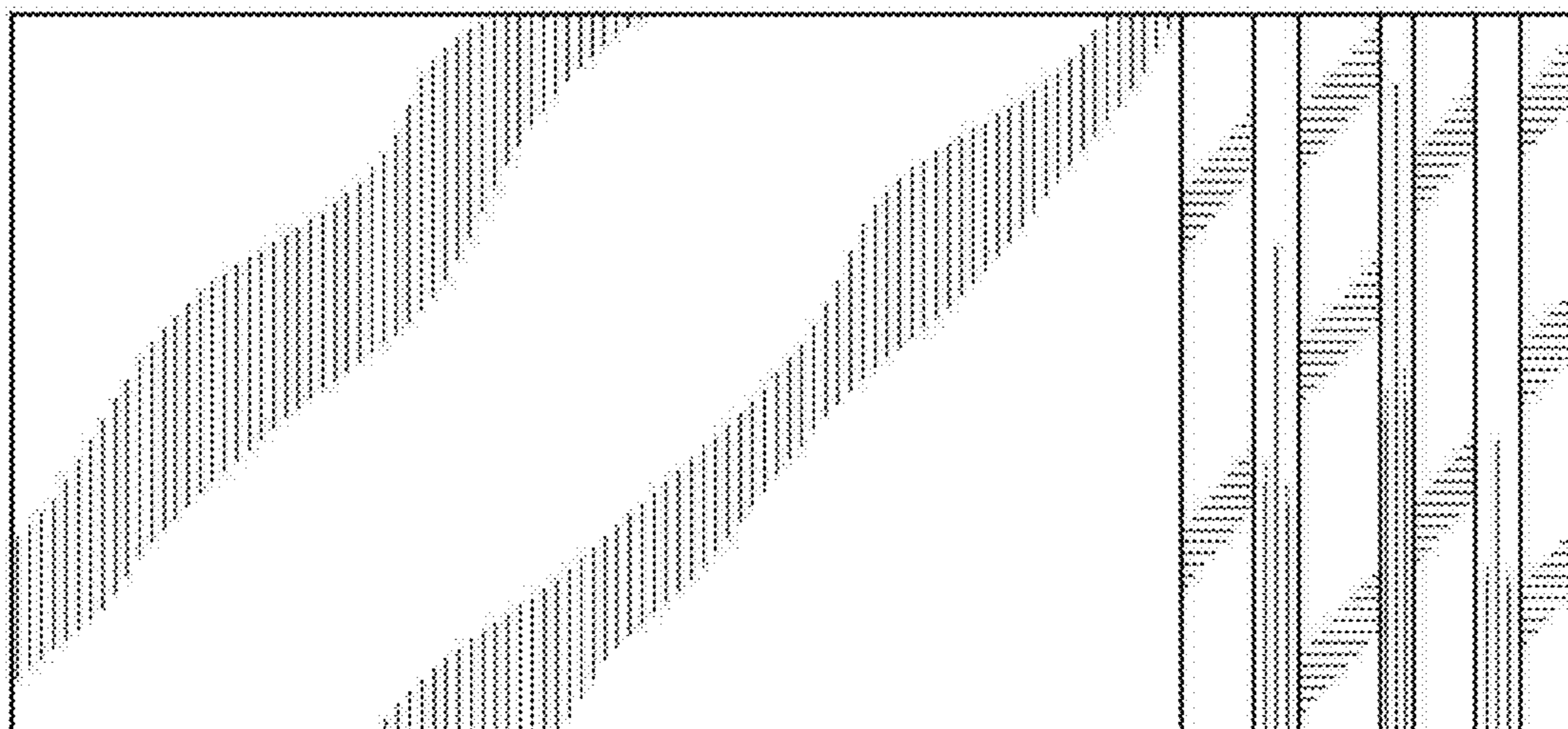


FIG. 6

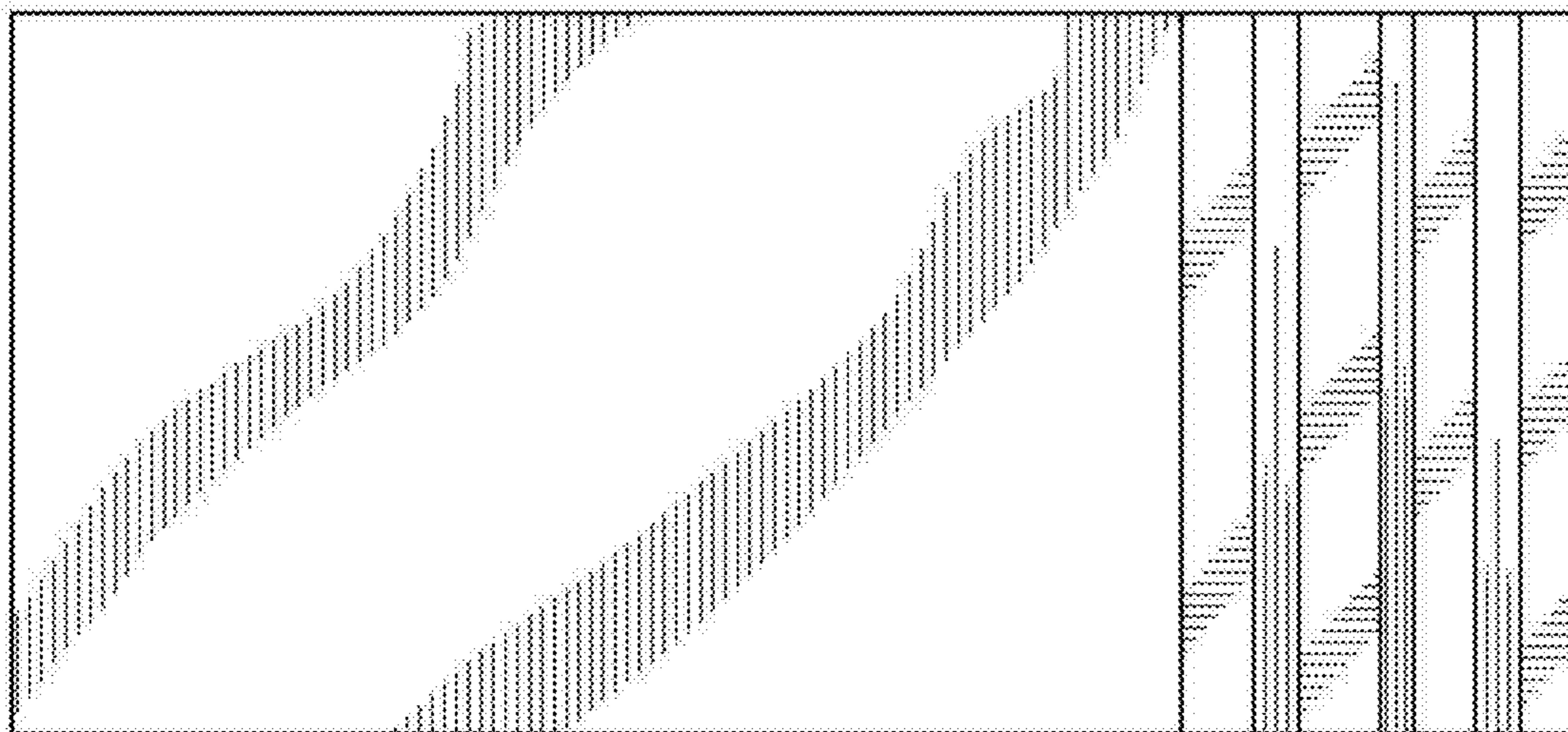
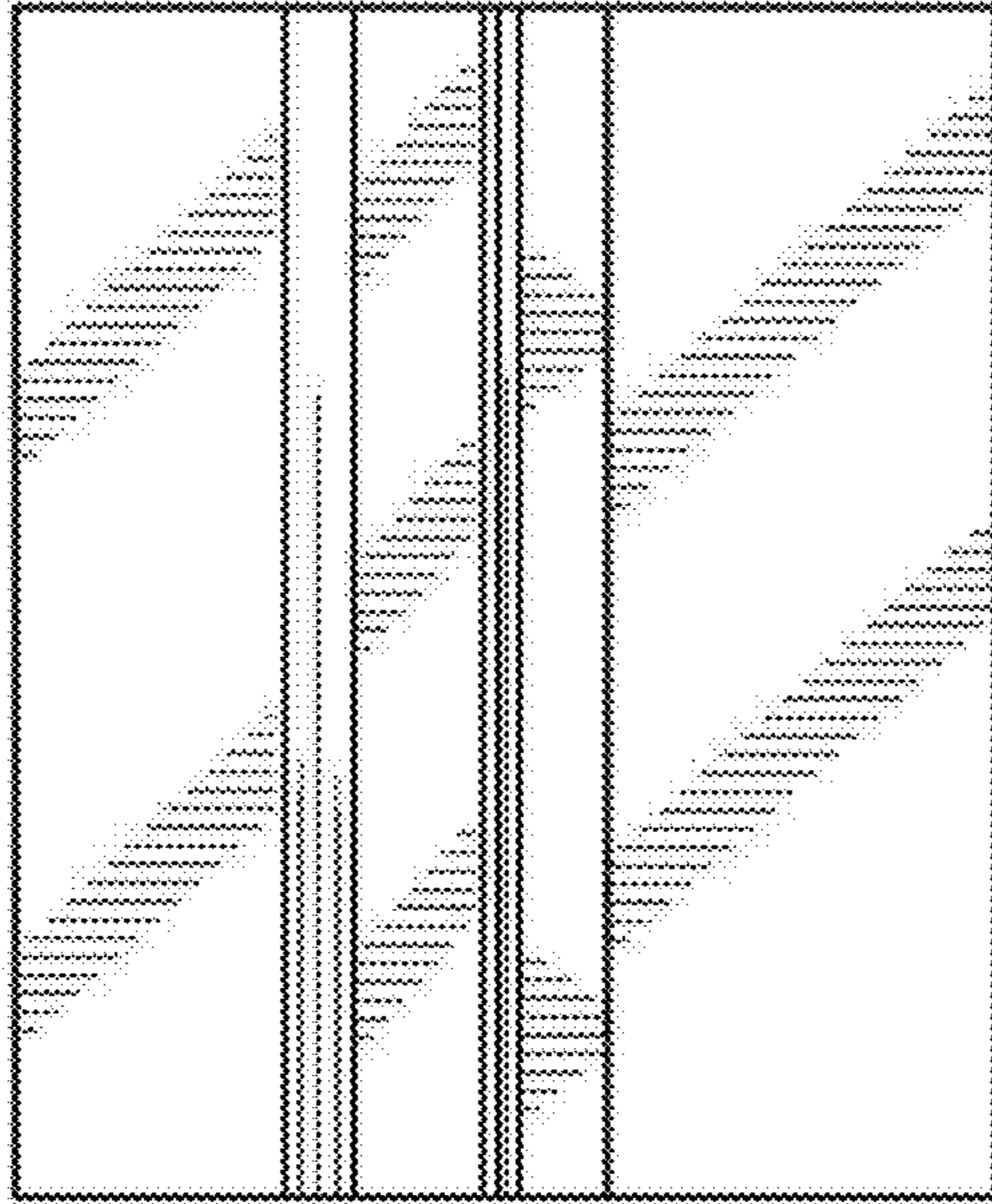
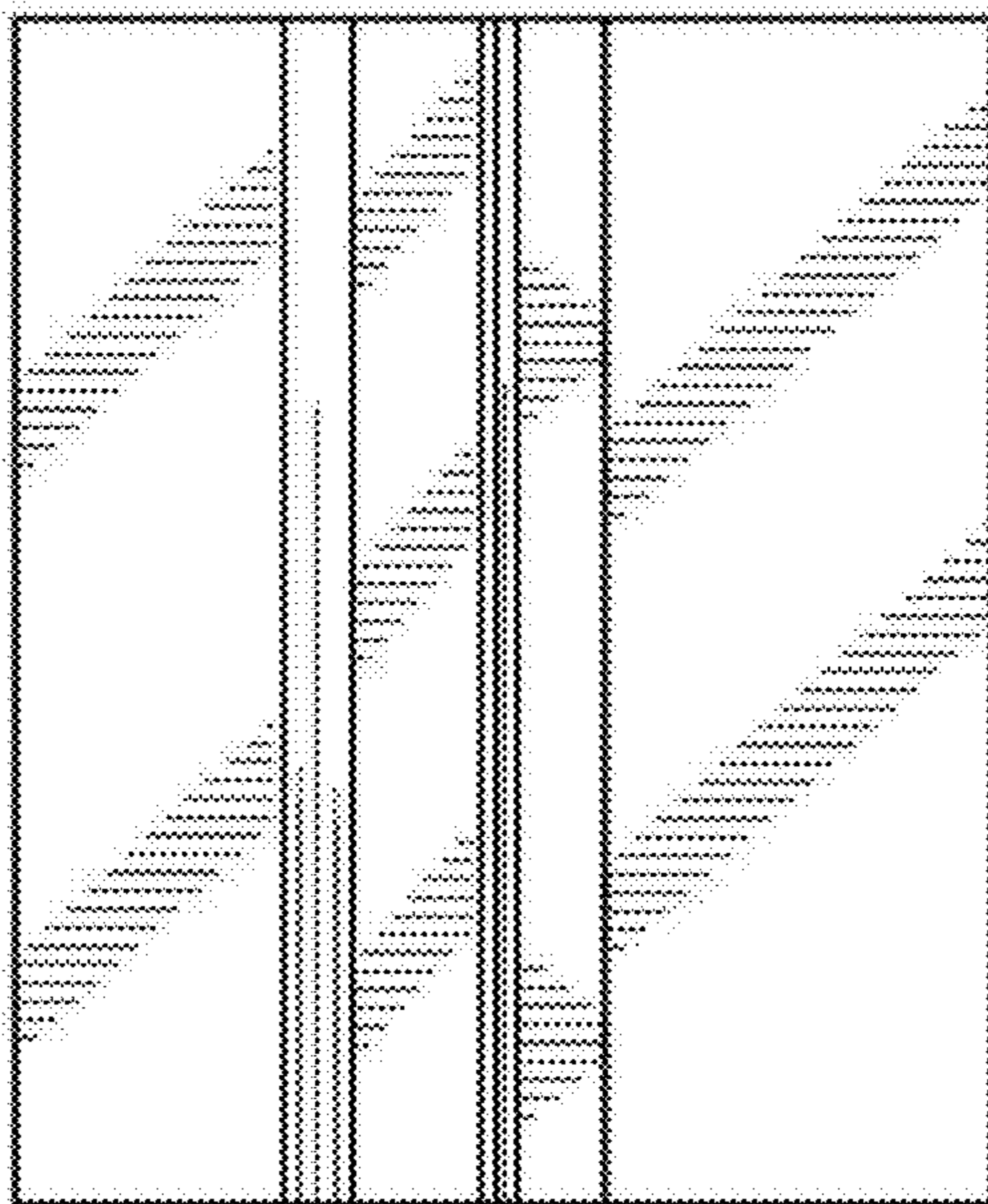


FIG. 7

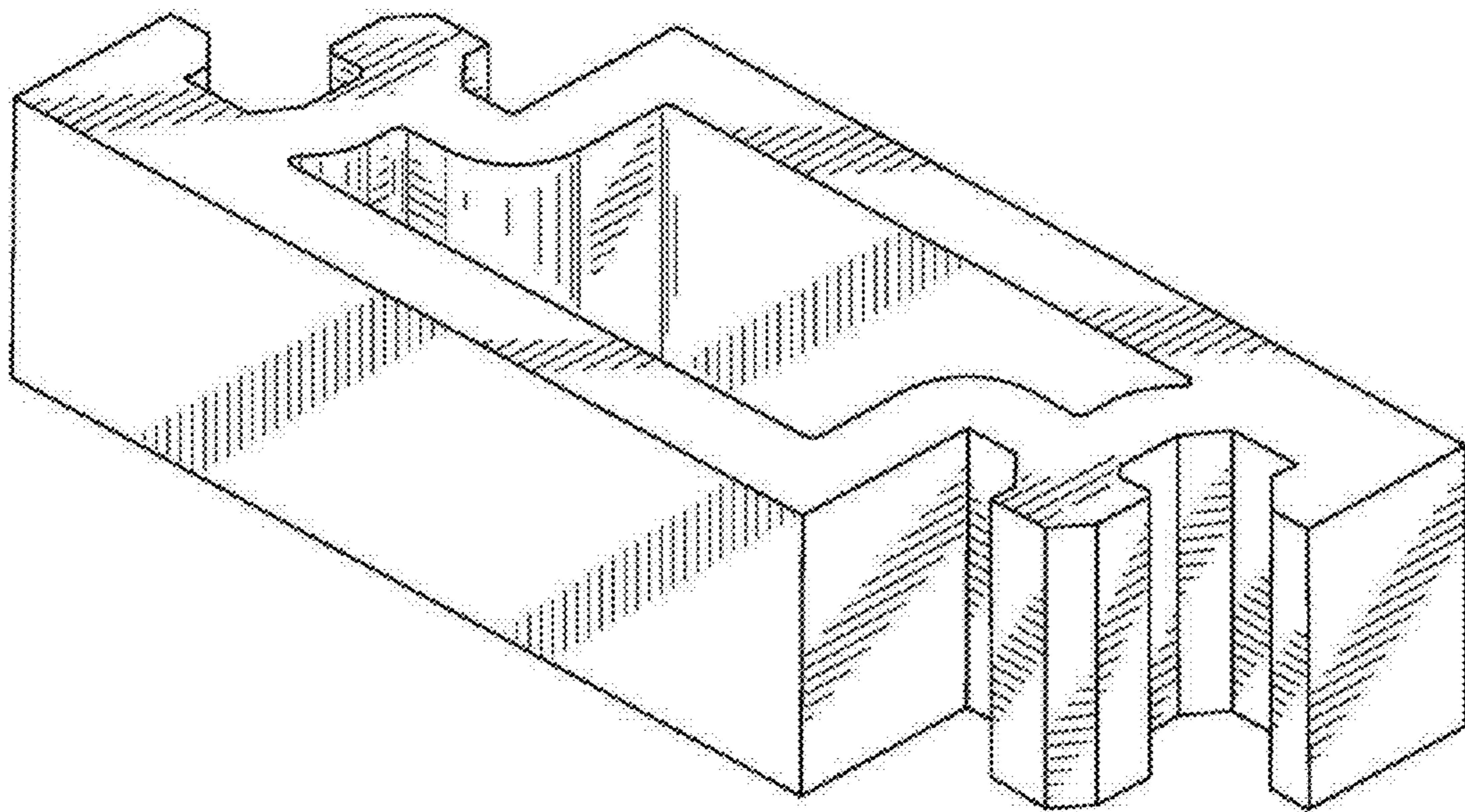


**FIG. 8**

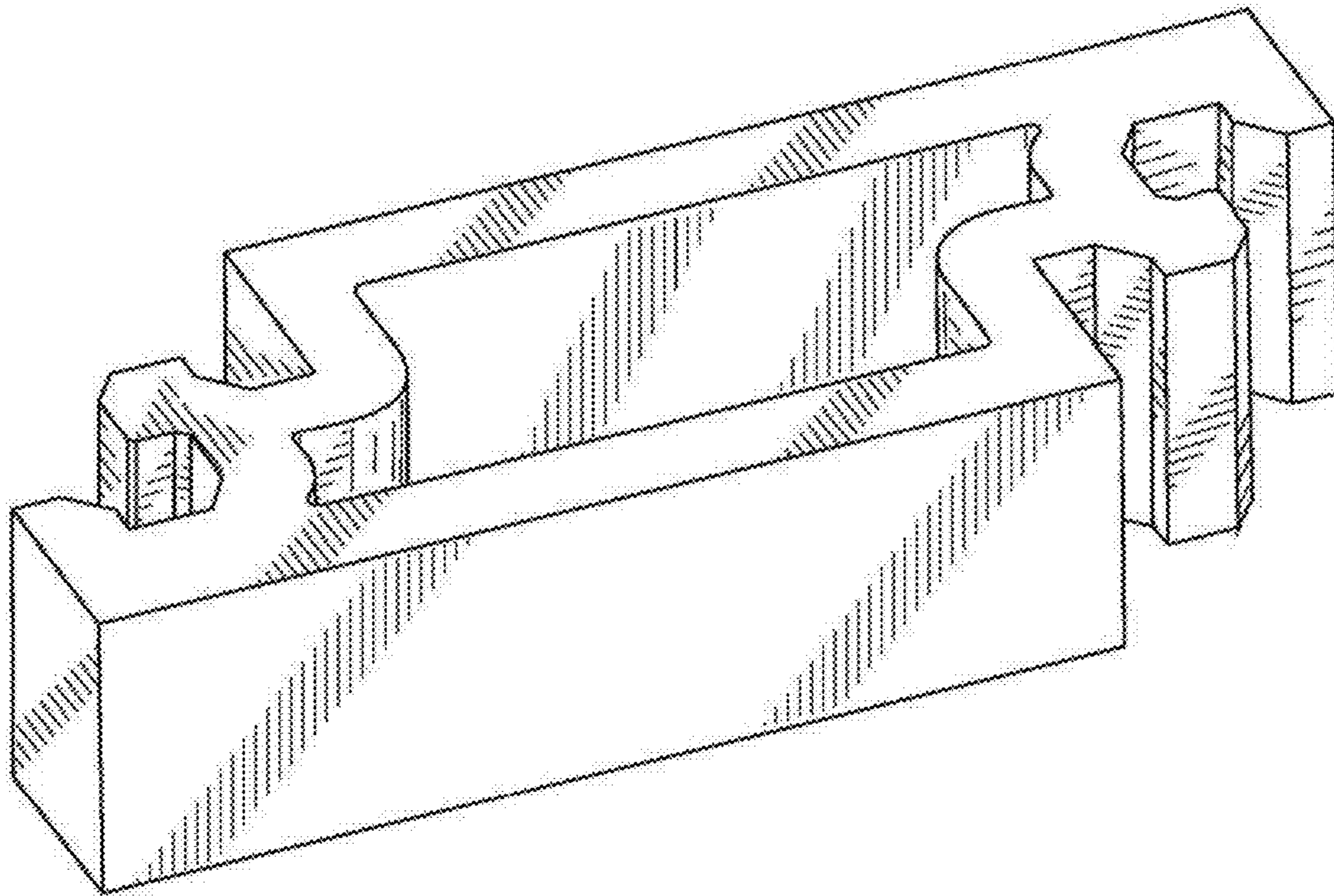


**FIG. 9**





**FIG. 10**



**FIG. 11**

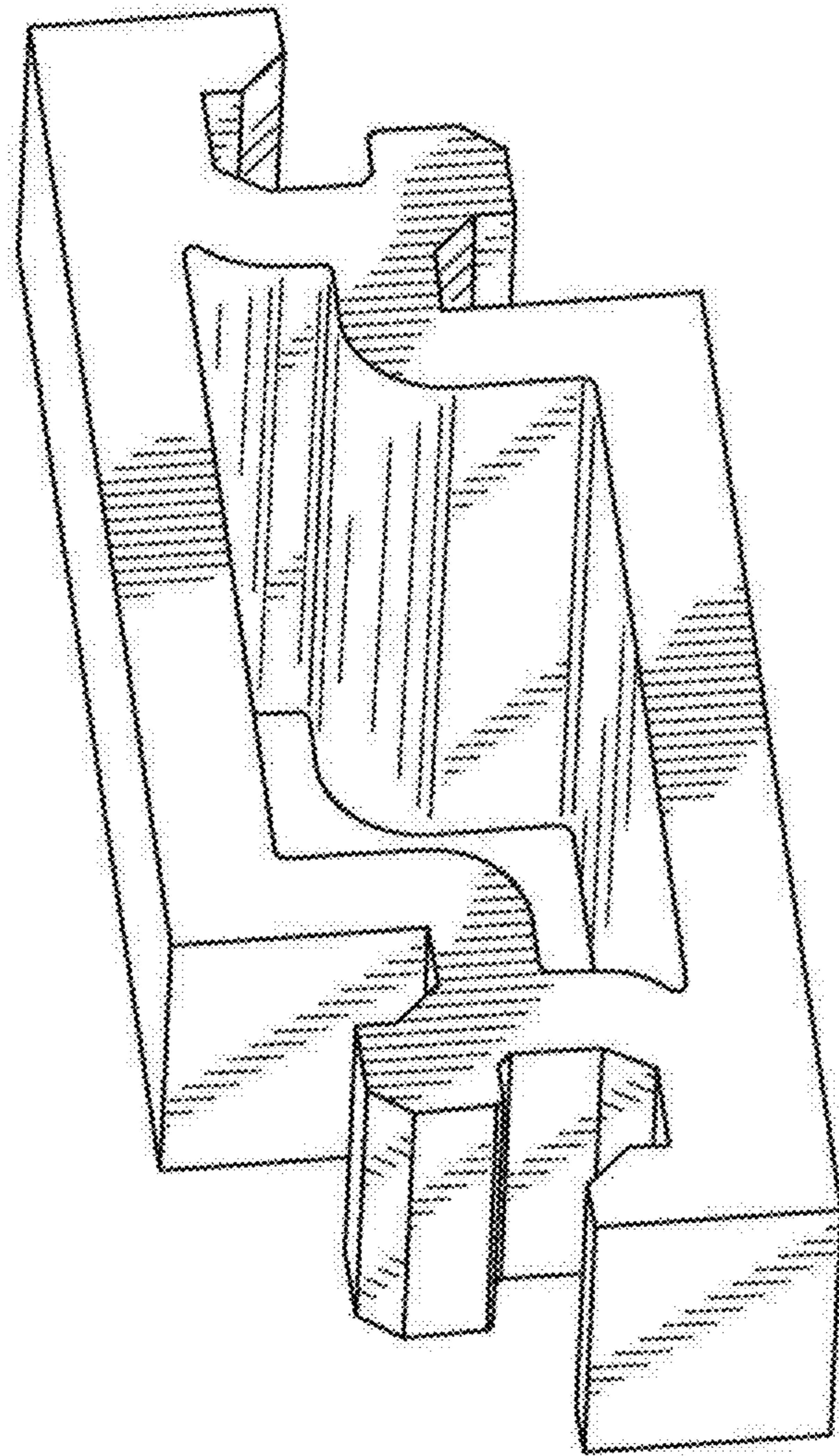


FIG. 12

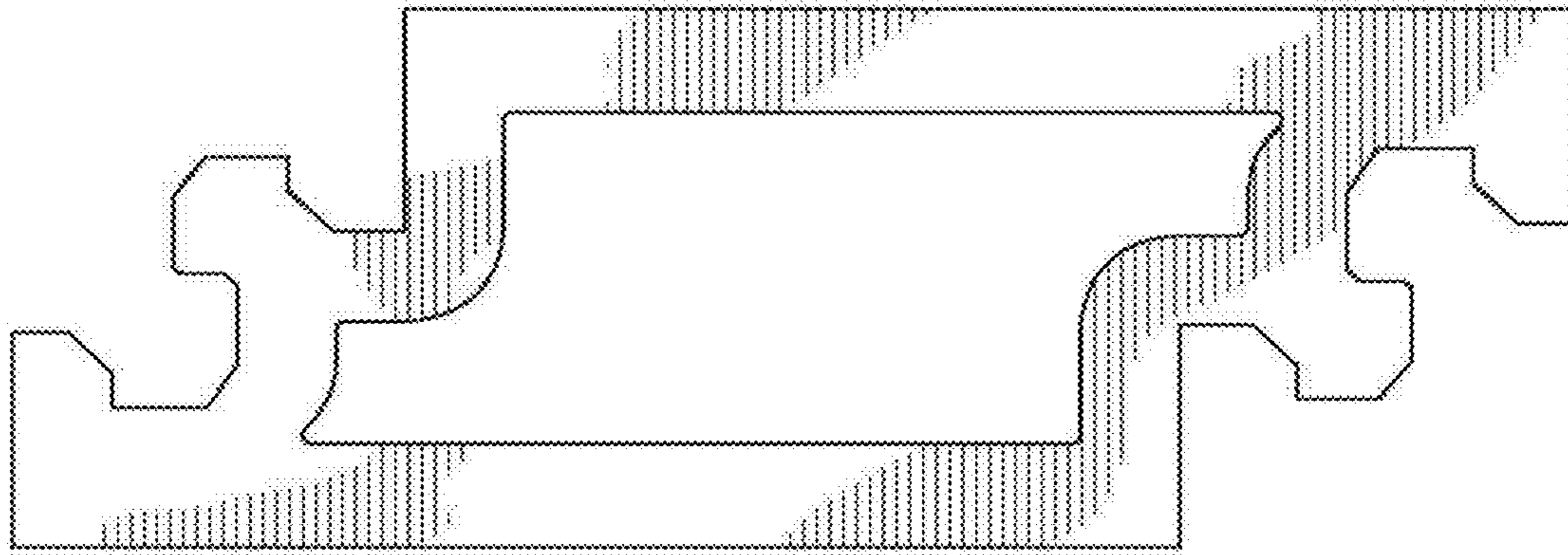


FIG. 13

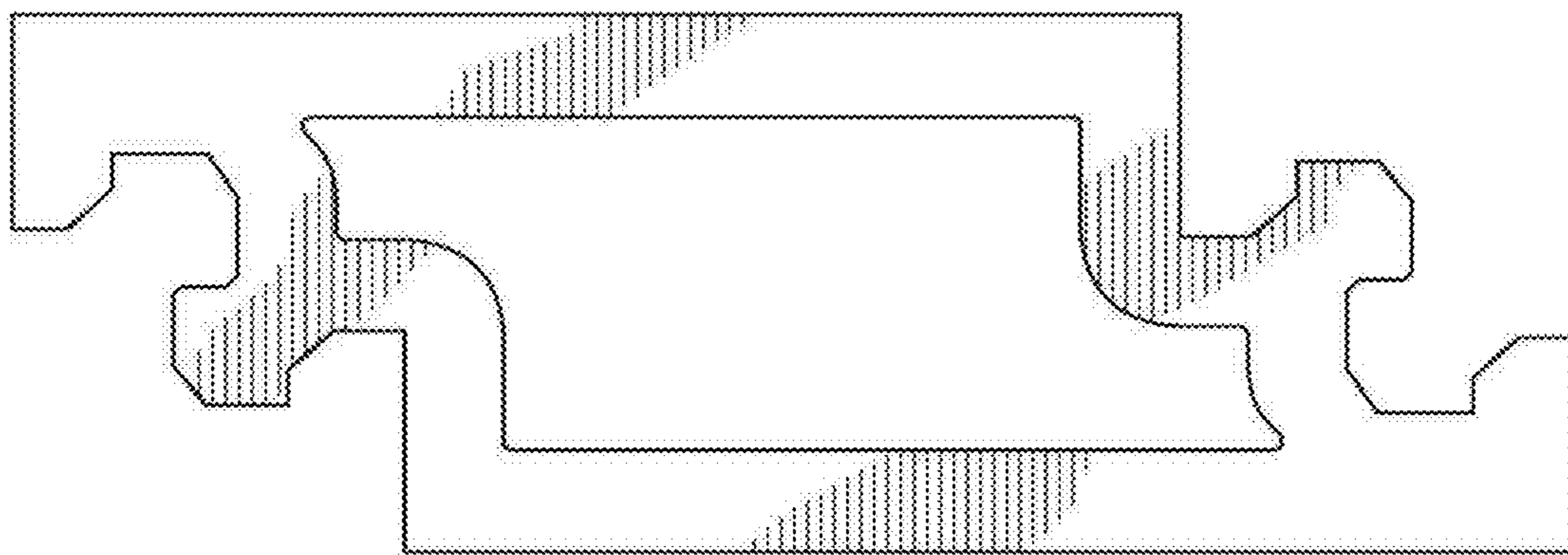


FIG. 14

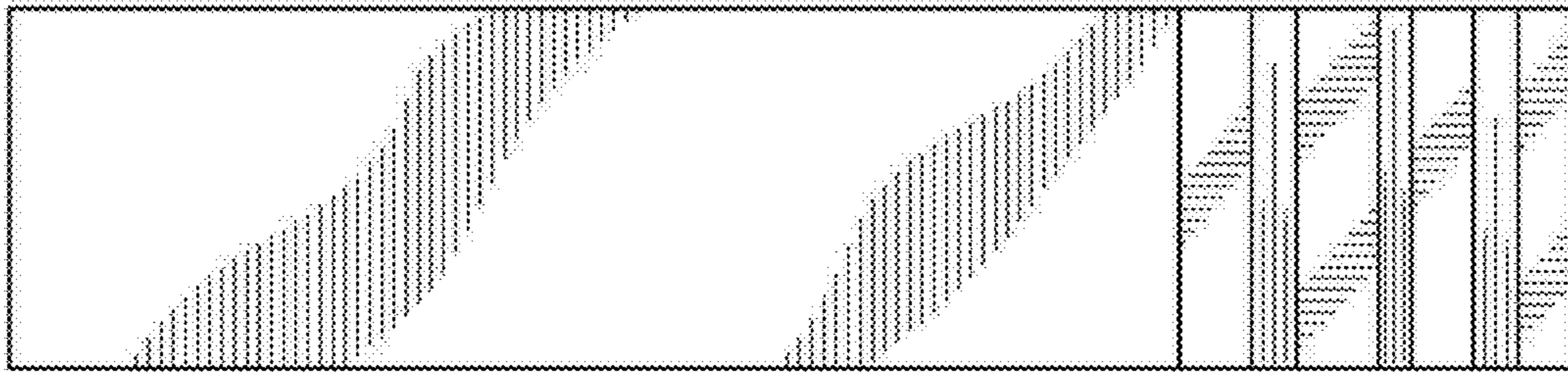


FIG. 15

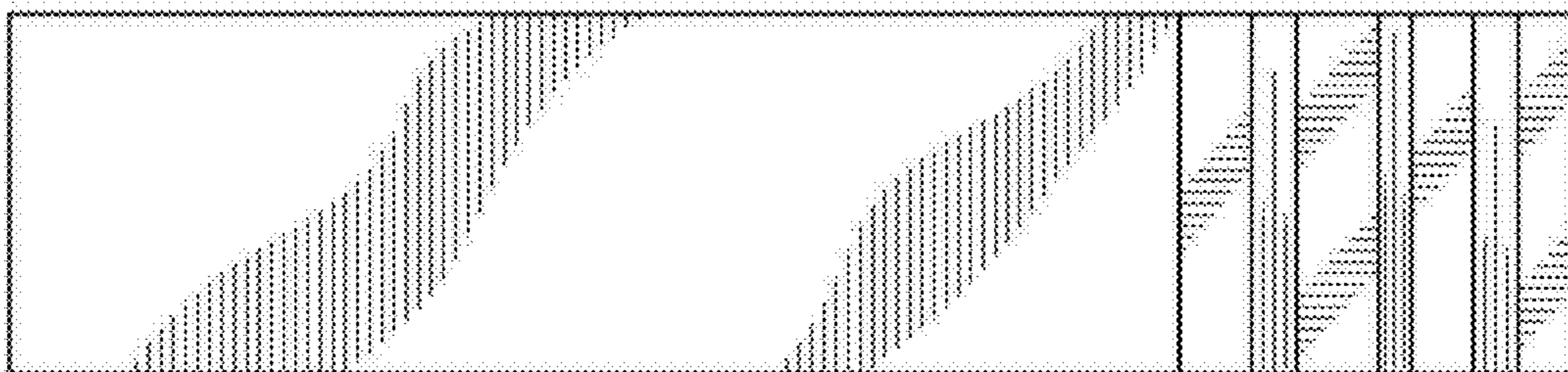
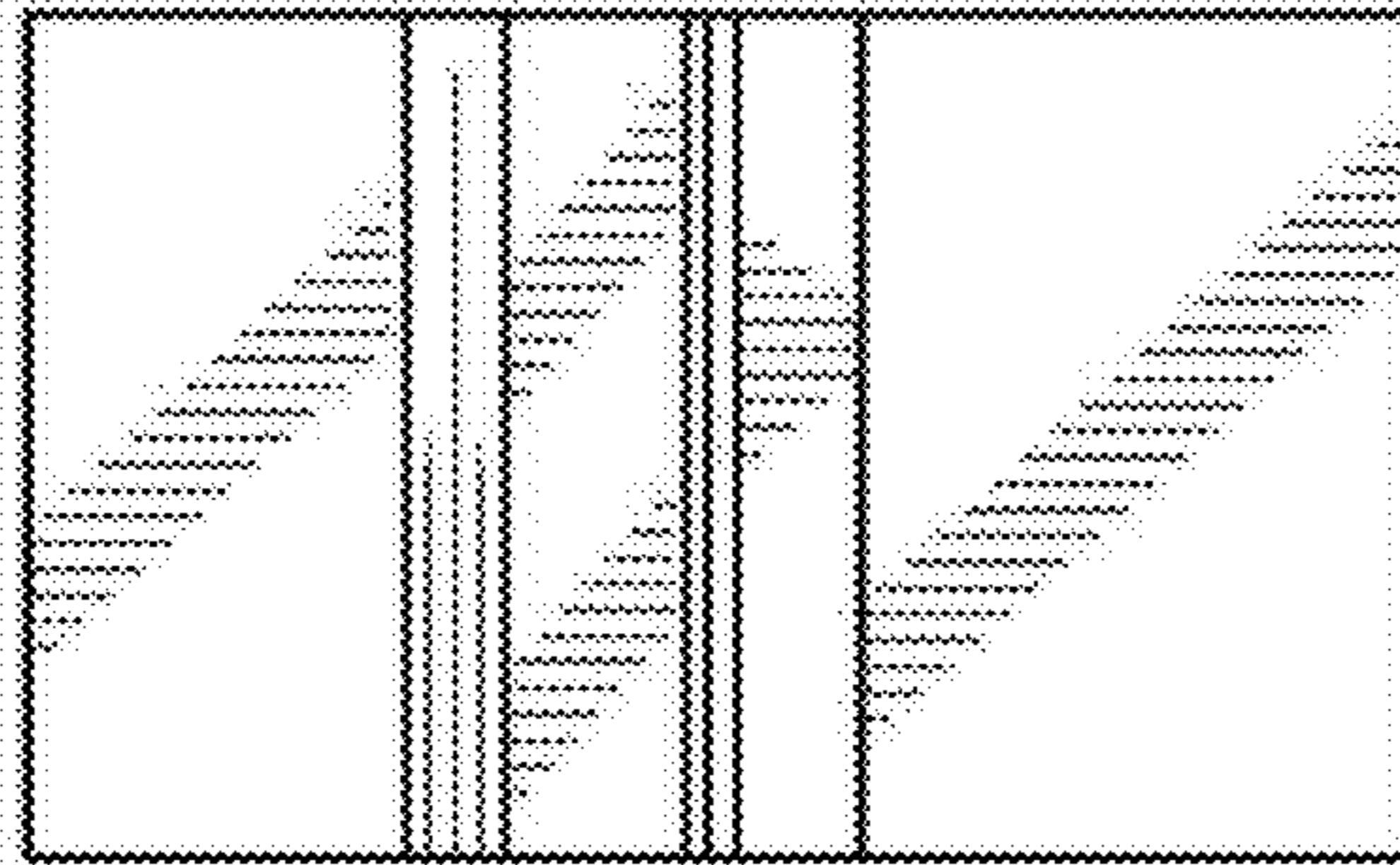
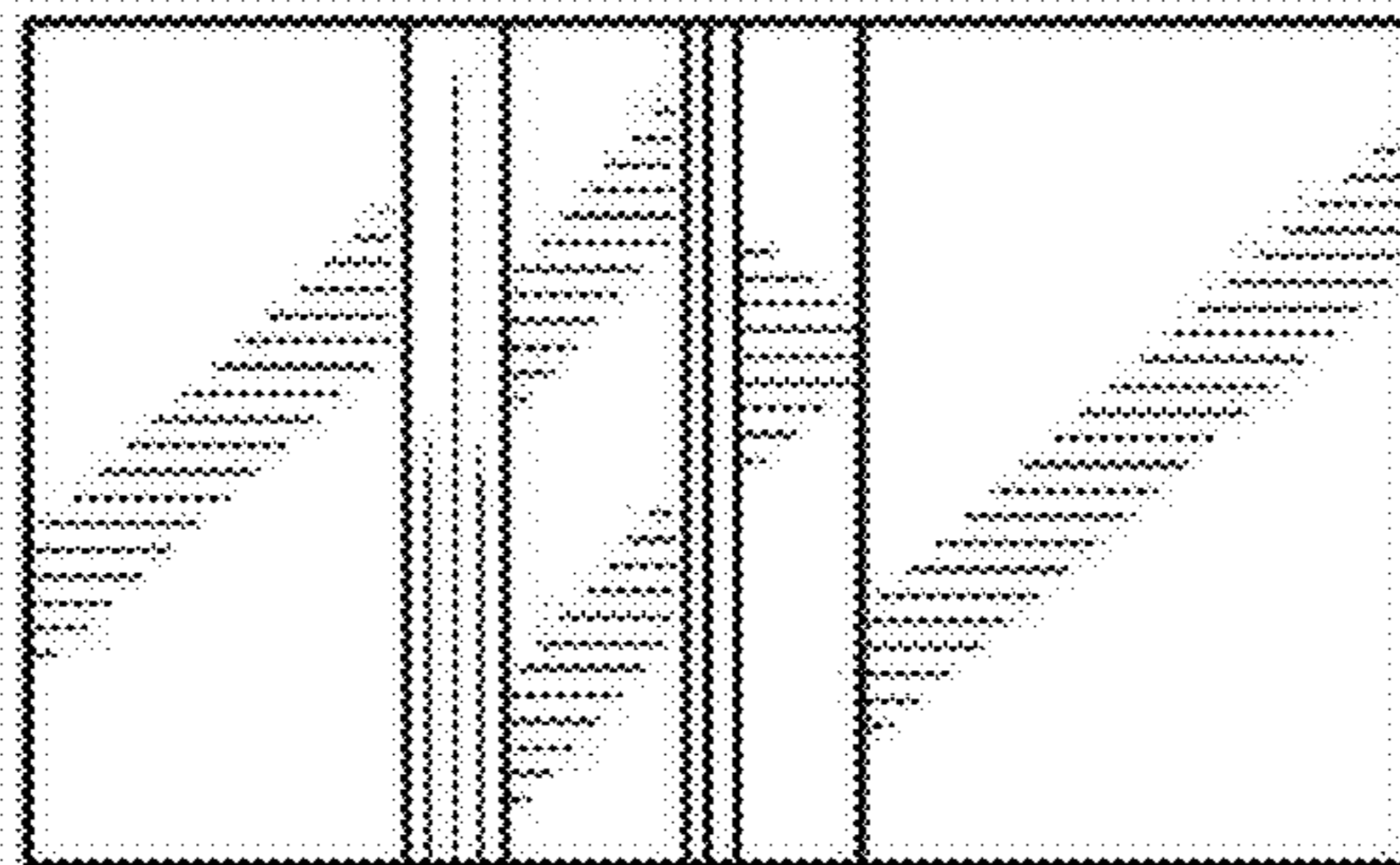


FIG. 16



**FIG. 17**



**FIG. 18**