

US00D835297S

(12) **United States Design Patent**  
**Mohamed**

(10) **Patent No.:** **US D835,297 S**  
(45) **Date of Patent:** **\*\* Dec. 4, 2018**

(54) **CONSTRUCTION BLOCK**  
(71) Applicant: **Gouda-Torgerson Building Systems LLC**, West Point, CA (US)  
(72) Inventor: **Hazem Hosny Gouda Mohamed**, New Bani Sweif (EG)  
(73) Assignee: **Gouda-Torgerson Building Systems LLC**, West Point, CA (US)

7,823,360 B1 \* 11/2010 Cottle ..... E04B 2/42  
52/604  
8,678,704 B1 \* 3/2014 Smith ..... E02B 3/14  
405/16  
D745,980 S \* 12/2015 Kobelev ..... E04C 3/00  
D25/113  
D772,431 S \* 11/2016 Norton ..... D25/113  
2014/0119831 A1 \* 5/2014 Hill ..... E02B 3/14  
405/16

(\*\*) Term: **15 Years**

\* cited by examiner

*Primary Examiner* — Susan Bennett Hattan  
*Assistant Examiner* — Leanne Was-Engelhart  
(74) *Attorney, Agent, or Firm* — LeclairRyan

(21) Appl. No.: **29/592,906**

(22) Filed: **Feb. 3, 2017**

(57) **CLAIM**

The ornamental design for a construction block, as shown and described.

(51) **LOC (11) Cl.** ..... **25-01**

(52) **U.S. Cl.**  
USPC ..... **D25/113**

**DESCRIPTION**

(58) **Field of Classification Search**  
USPC ..... D25/112–118  
CPC ..... E04B 2/18; E04B 2/22; E04B 2/24; E04B 2/42; B28B 1/14; B28B 7/0079; E04C 1/39; E04C 1/395; E04C 1/397; E04C 3/00; E04C 3/04; E04C 3/12; E04C 3/28; E04C 3/30

FIG. 1 is a perspective view from the lower right side of the construction block in accordance with my design;  
FIG. 2 is a perspective view from the upper left side of the construction block in accordance with my design;  
FIG. 3 is a perspective view from the right side of the construction block in accordance with my design;  
FIG. 4 is a top view of the construction block in accordance with my design;  
FIG. 5 is a bottom view of the construction block in accordance with my design;  
FIG. 6 is a front view of the construction block in accordance with my design;  
FIG. 7 is a back view of the construction block in accordance with my design;  
FIG. 8 is a right side view of the construction block in accordance with my design; and,  
FIG. 9 is a left side view of the construction block in accordance with my design.

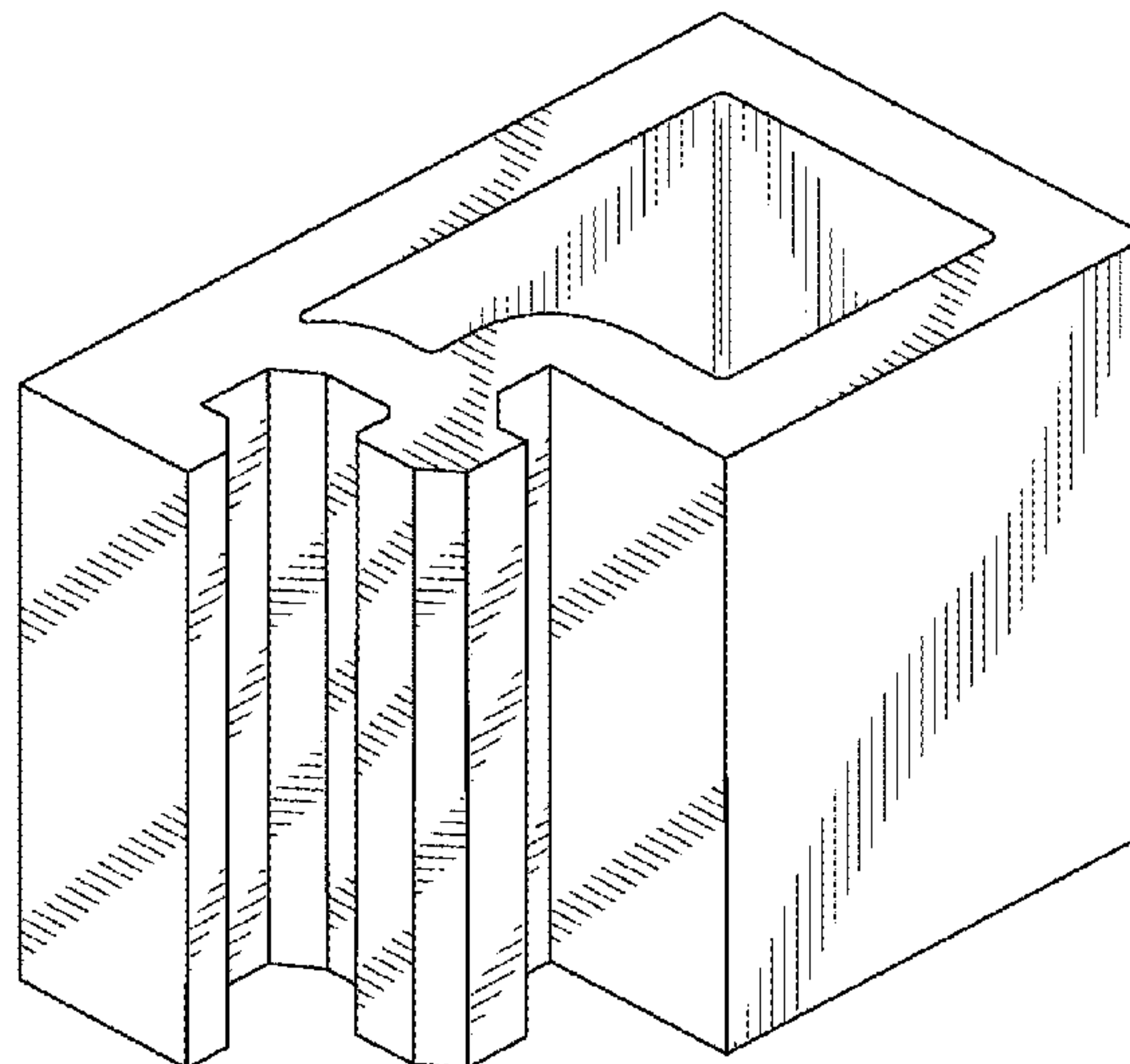
See application file for complete search history.

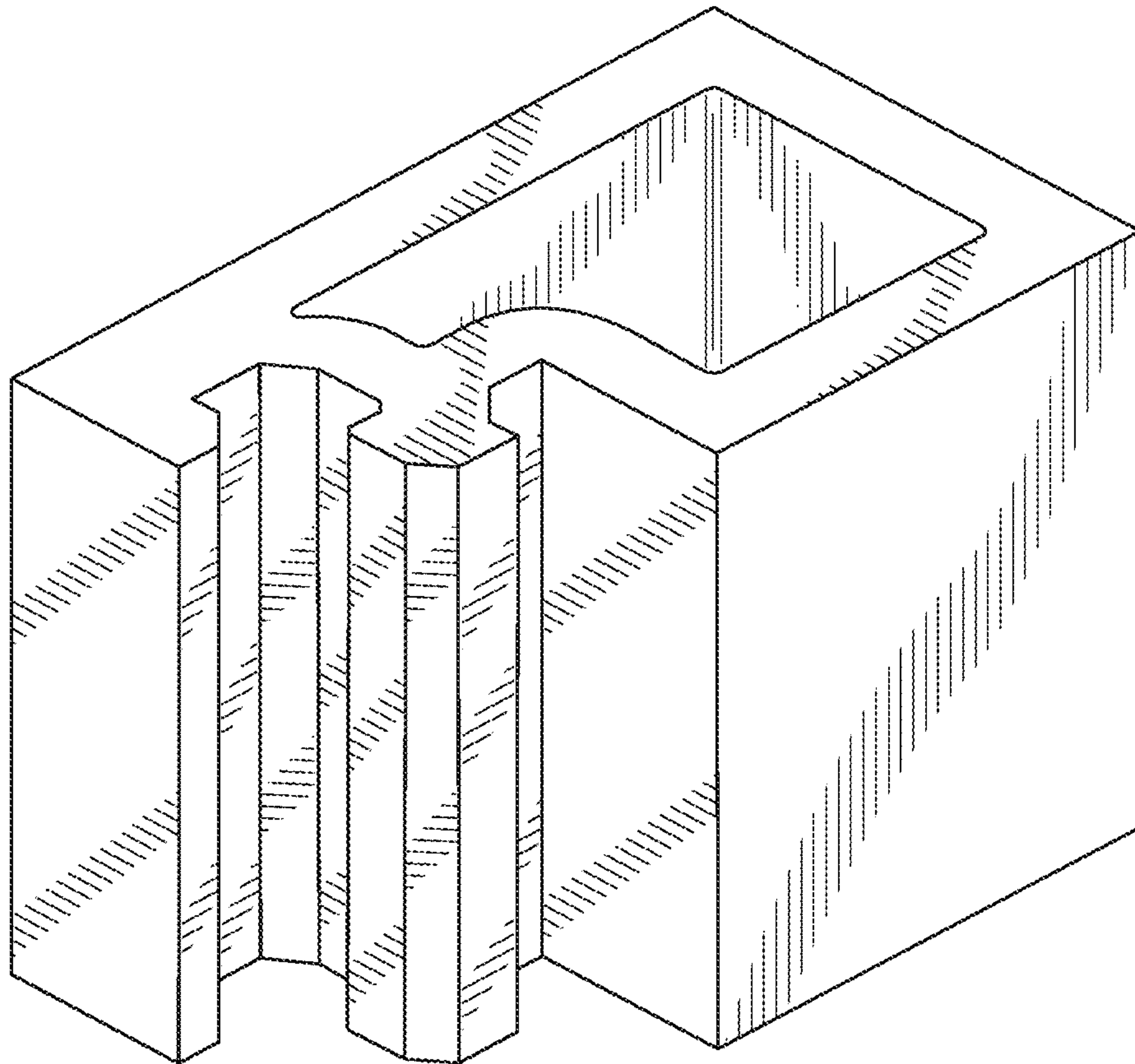
(56) **References Cited**

**U.S. PATENT DOCUMENTS**

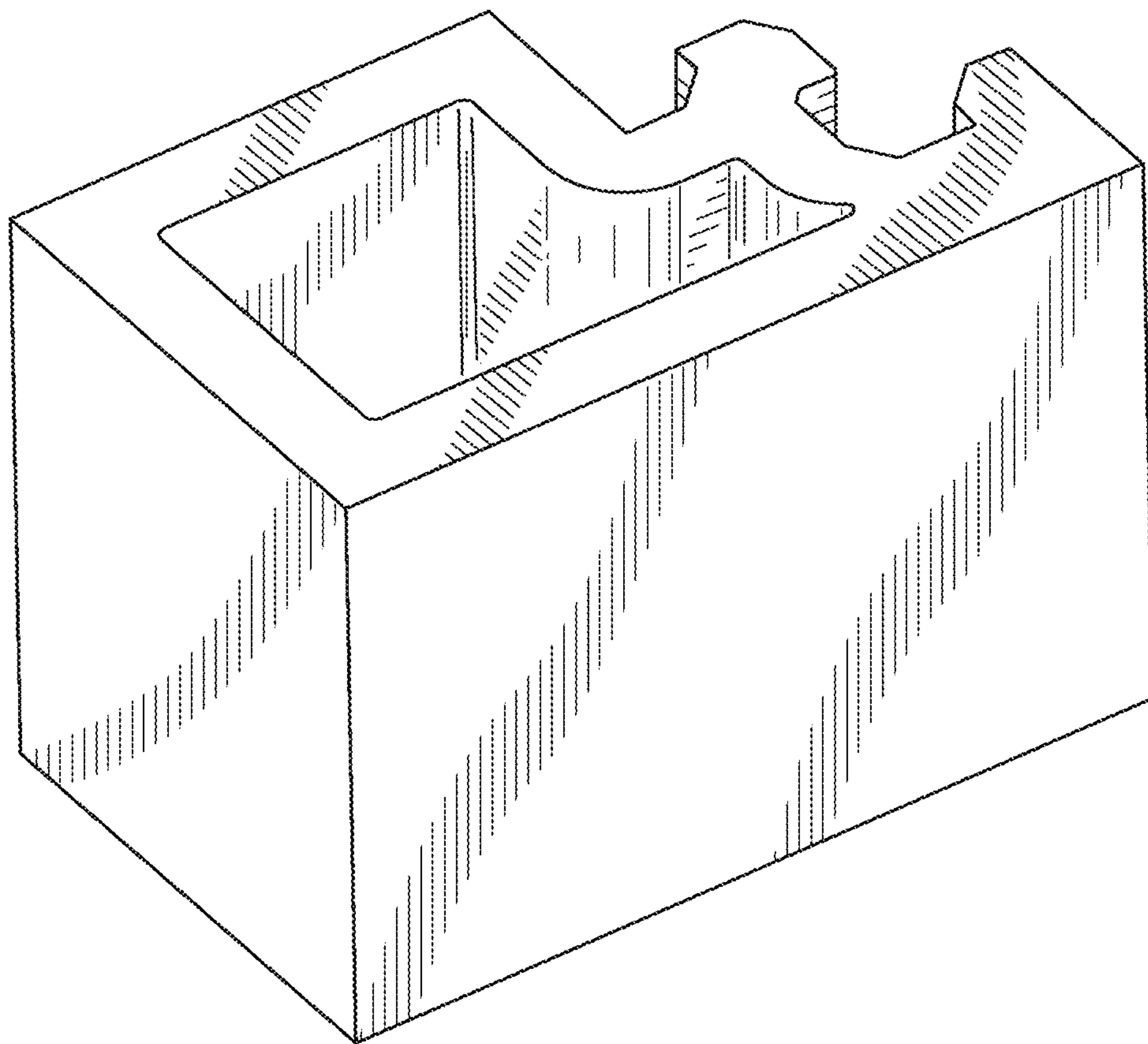
1,356,590 A \* 10/1920 Baumann ..... E04B 2/22  
52/284  
4,148,166 A \* 4/1979 Toone ..... E04B 2/44  
52/270  
D313,857 S \* 1/1991 Gabriel ..... D25/113  
6,508,041 B1 \* 1/2003 Boot ..... E04B 2/18  
52/578  
D540,475 S \* 4/2007 Price ..... D25/113  
D540,476 S \* 4/2007 Price ..... D25/113

**1 Claim, 6 Drawing Sheets**

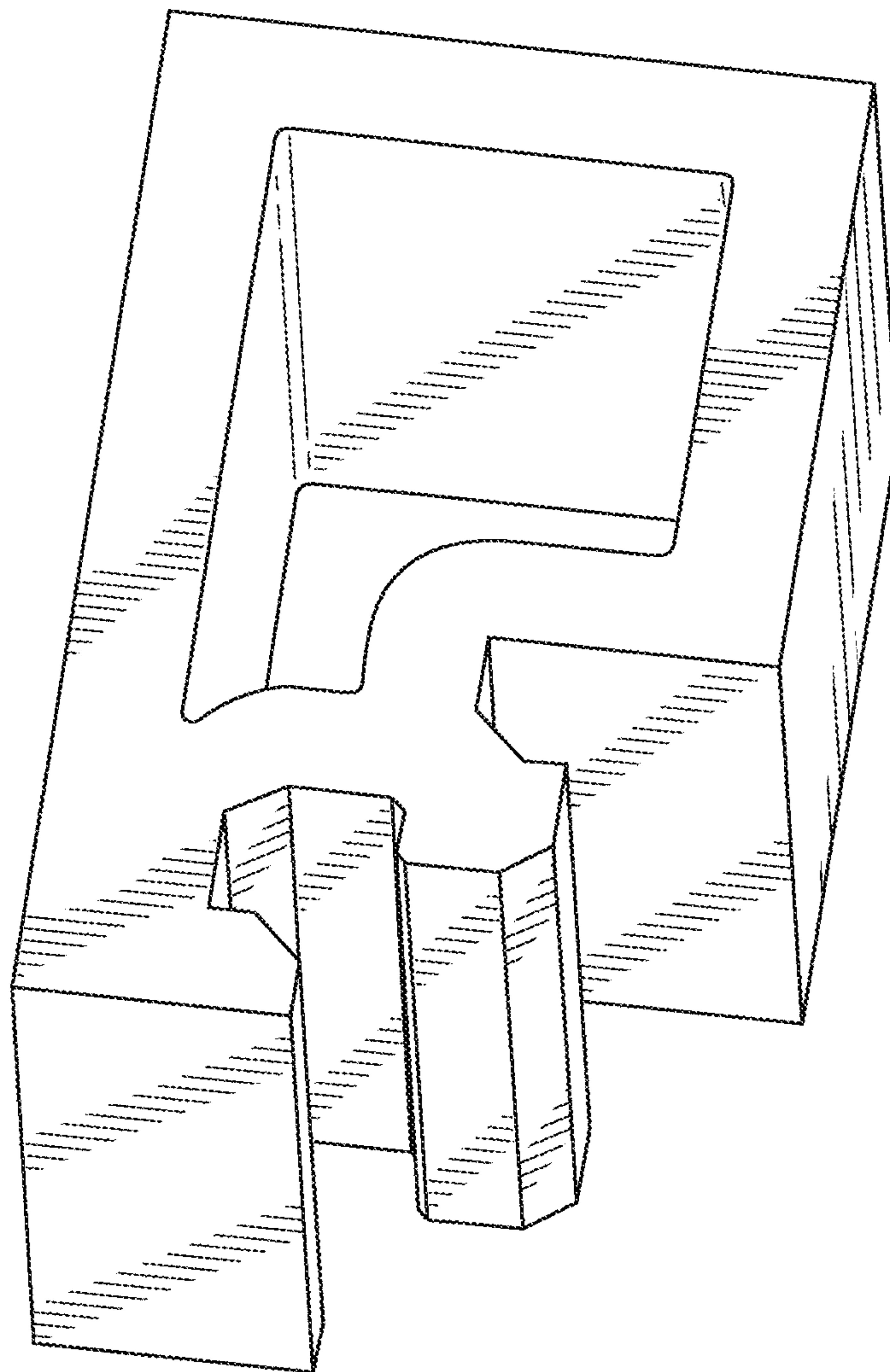




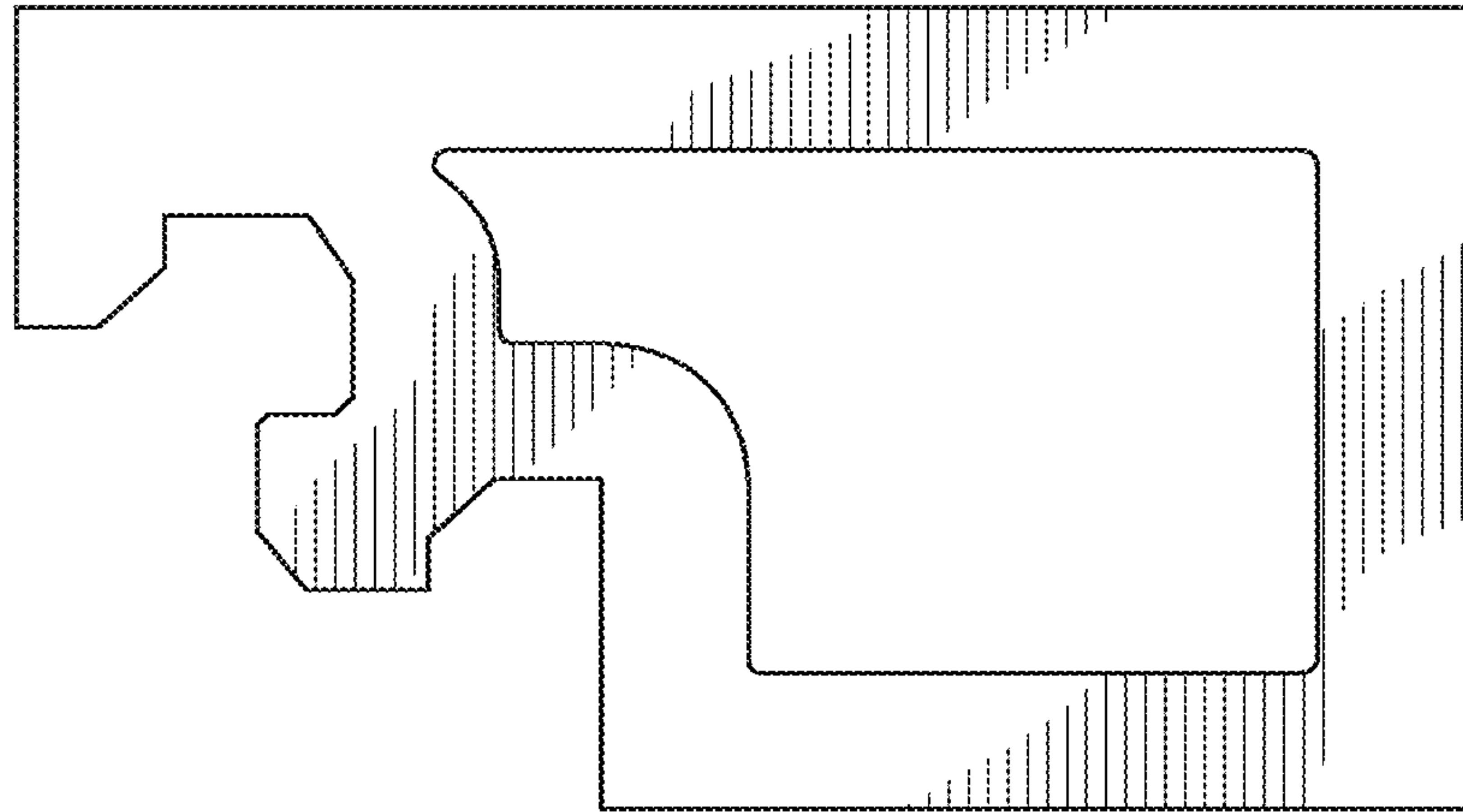
**FIG. 1**



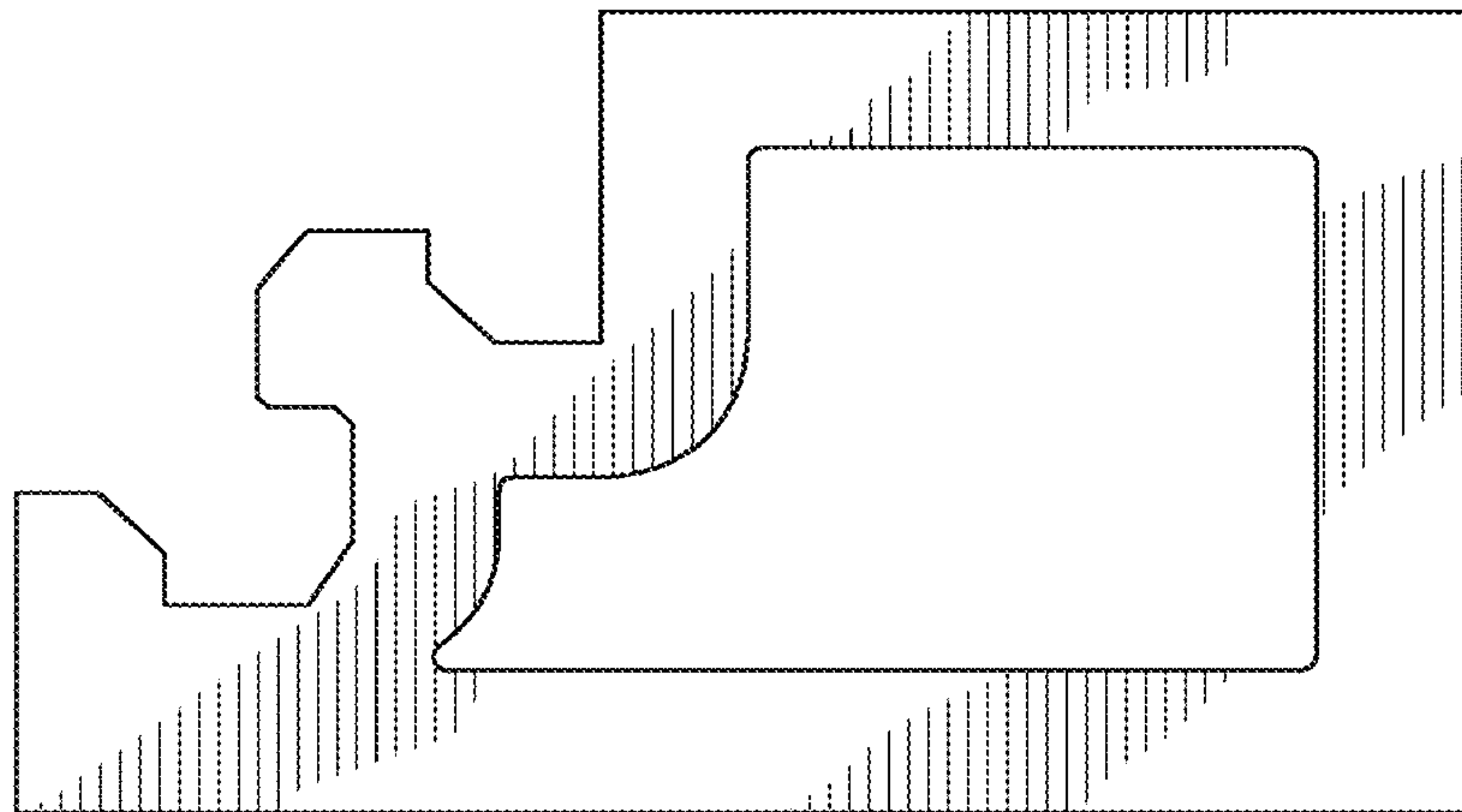
**FIG. 2**



**FIG. 3**

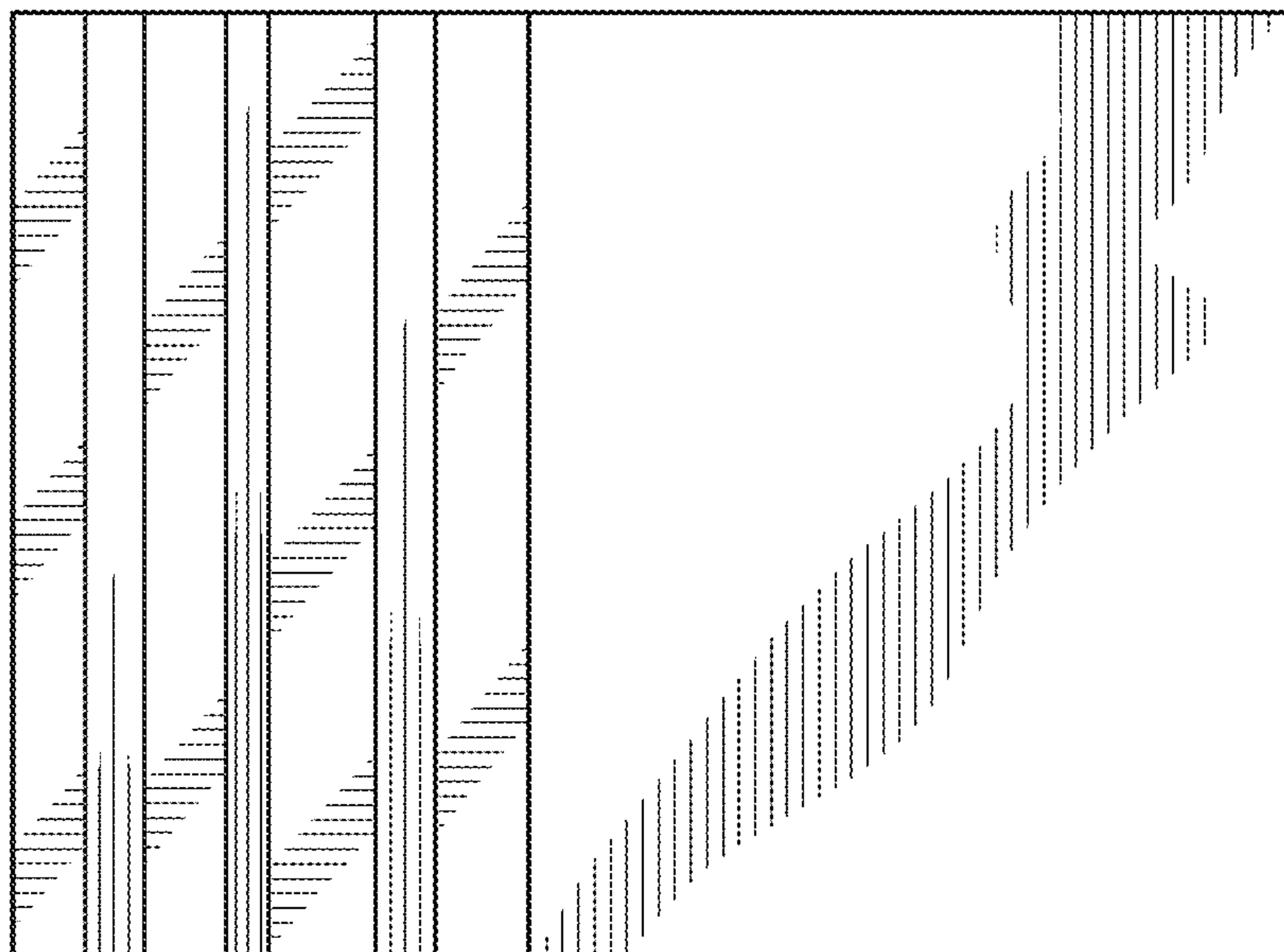


**FIG. 4**

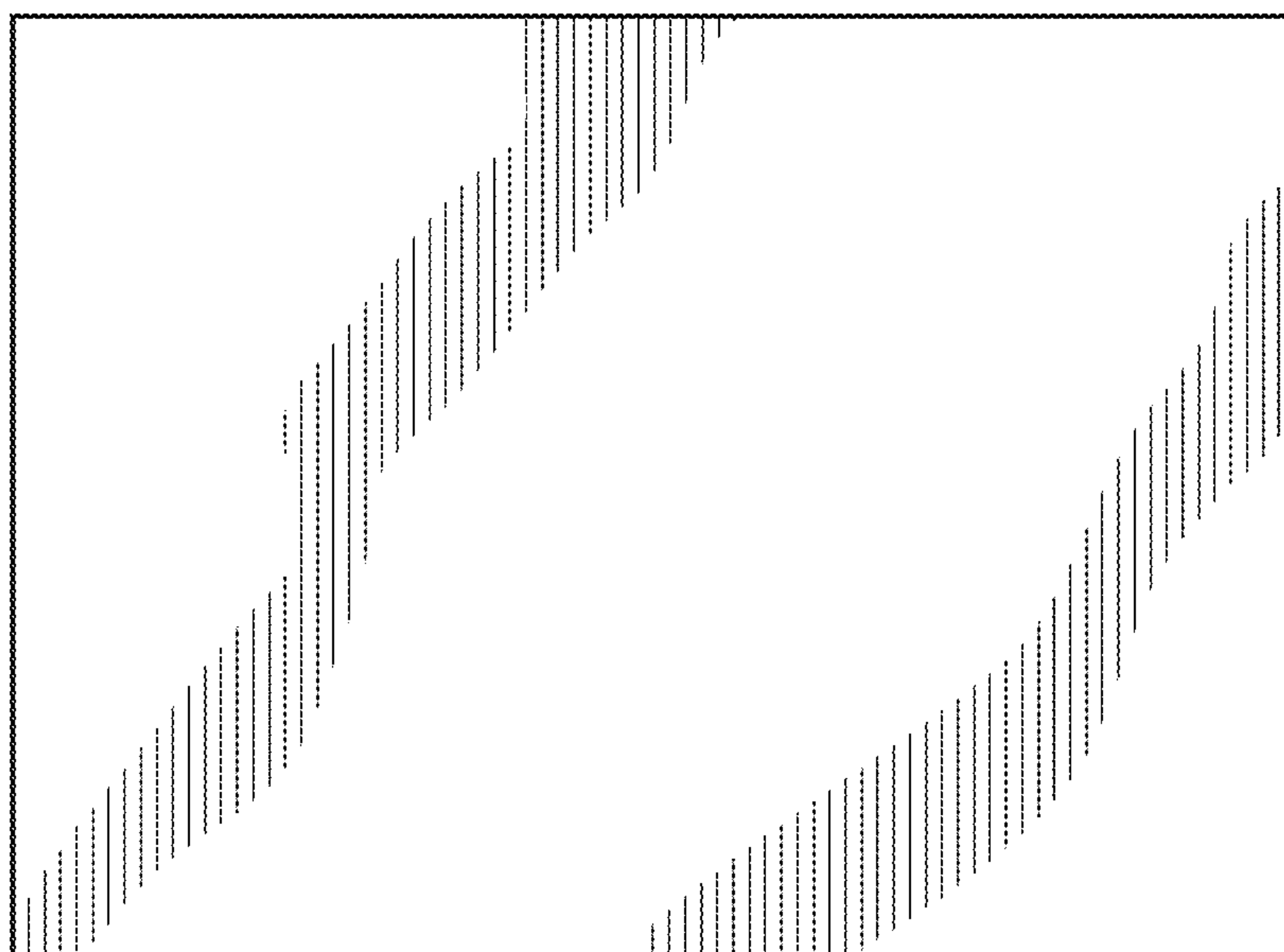


**FIG. 5**

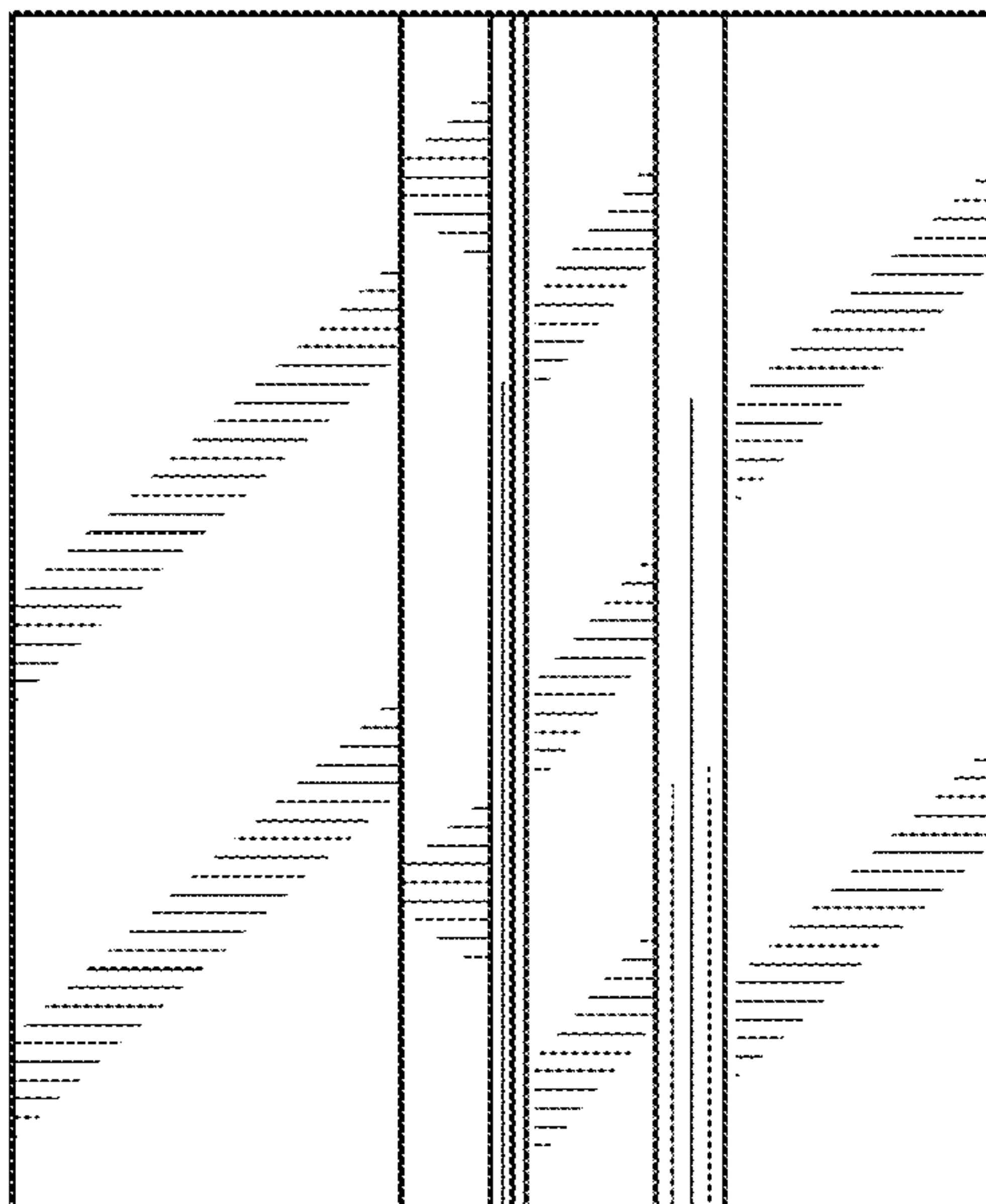




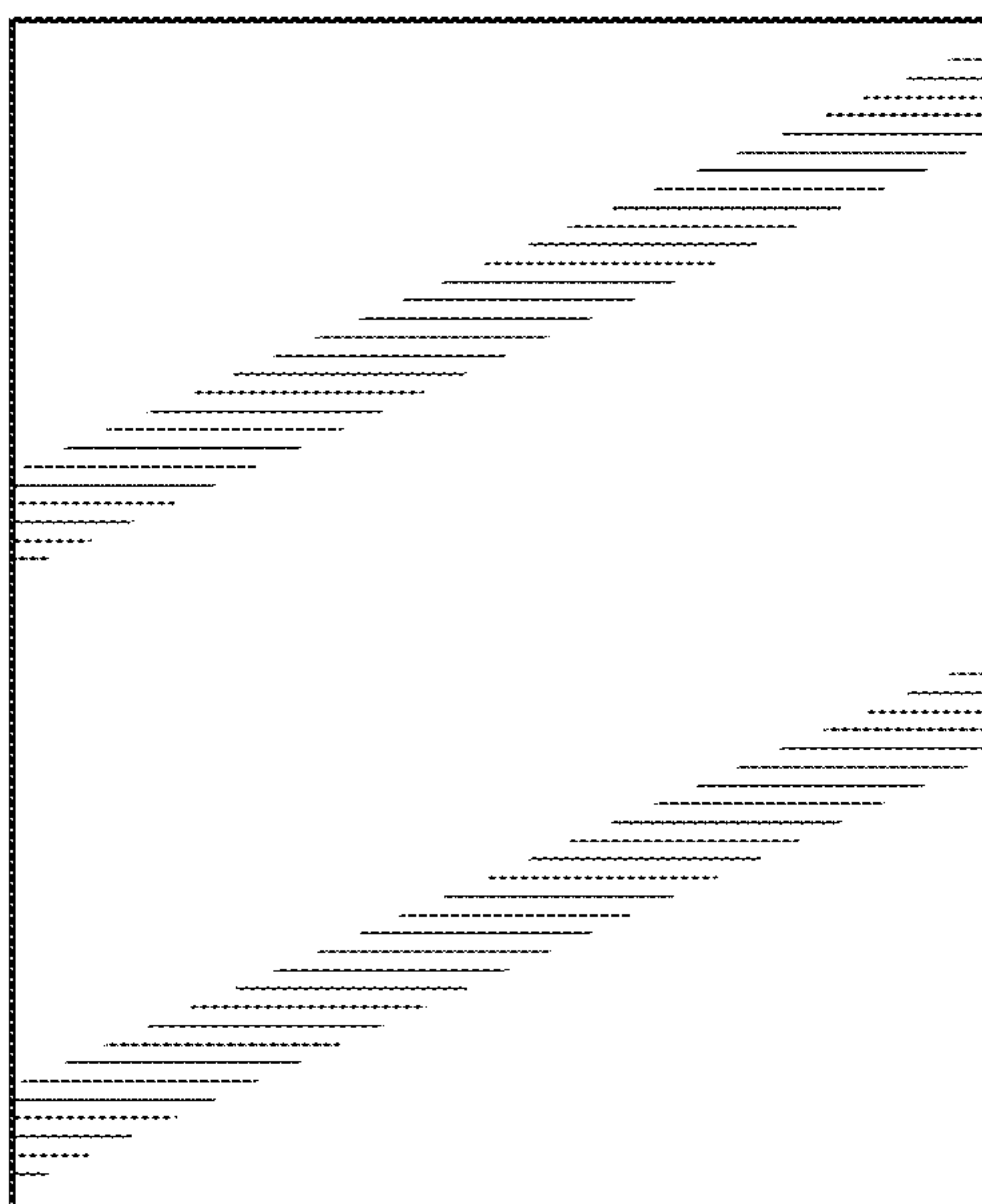
**FIG. 6**



**FIG. 7**



**FIG. 8**



**FIG. 9**