



US00D835295S

(12) **United States Design Patent**  
**Mohamed**

(10) **Patent No.:** **US D835,295 S**  
(45) **Date of Patent:** **\*\* Dec. 4, 2018**

- (54) **CONSTRUCTION BLOCK**
- (71) Applicant: **Gouda-Torgerson Building Systems LLC**, West Point, CA (US)
- (72) Inventor: **Hazem Hosny Gouda Mohamed**, New Bani Sweif (EG)
- (73) Assignee: **GOUDA-TORGERSON BUILDING SYSTEMS LLC**, West Point, CA (US)
- (\*\*) Term: **15 Years**
- (21) Appl. No.: **29/592,903**
- (22) Filed: **Feb. 3, 2017**
- (51) **LOC (11) Cl.** ..... **25-01**
- (52) **U.S. Cl.**  
USPC ..... **D25/113**
- (58) **Field of Classification Search**  
USPC ..... D25/112-118  
CPC ..... E04B 2/18; E04B 2/22; E04B 2/24; E04B 2/42; B28B 1/14; B28B 7/0079; E04C 1/39; E04C 1/395; E04C 1/397; E04C 3/00; E04C 3/04; E04C 3/12; E04C 3/28; E04C 3/30  
See application file for complete search history.

- 7,823,360 B1 \* 11/2010 Cottle ..... E04B 2/42 52/604
- 8,678,704 B1 \* 3/2014 Smith ..... E02B 3/14 405/16
- D745,980 S \* 12/2015 Kobelev ..... E04C 3/00 D25/113
- D772,431 S \* 11/2016 Norton ..... D25/113
- 2014/0119831 A1 \* 5/2014 Hill ..... E02B 3/14 405/16

\* cited by examiner

*Primary Examiner* — Susan Bennett Hattan  
*Assistant Examiner* — Leanne Was-Englehart  
(74) *Attorney, Agent, or Firm* — LeclairRyan

(57) **CLAIM**

The ornamental design for a construction block, as shown and described.

**DESCRIPTION**

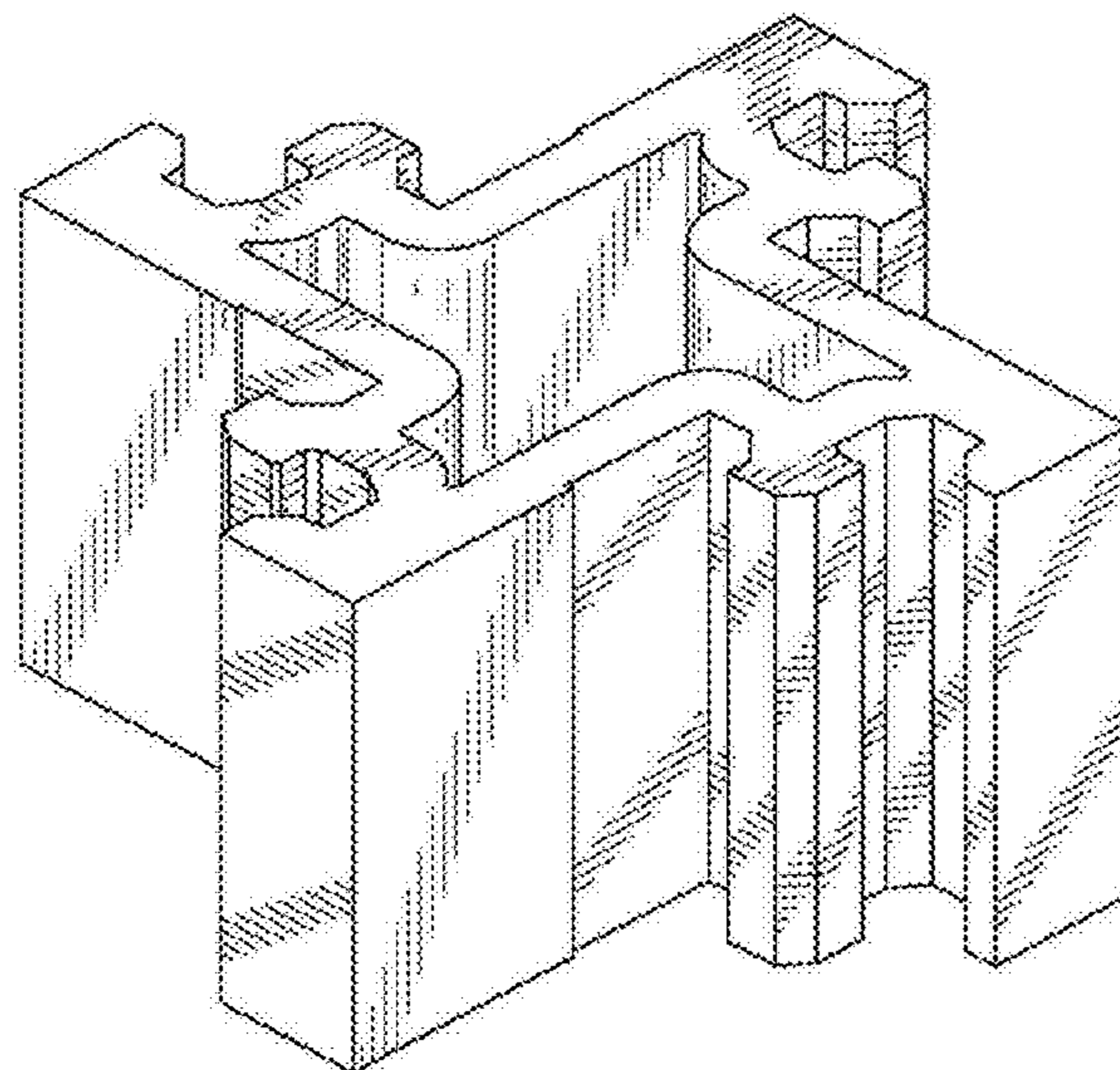
FIG. 1 is a perspective view from the lower right side of the construction block in accordance with my design;  
FIG. 2 is a perspective view from the upper left side of the construction block in accordance with my design;  
FIG. 3 is a perspective view from the right side of the construction block in accordance with my design;  
FIG. 4 is a top view of the construction block in accordance with my design;  
FIG. 5 is a bottom view of the construction block in accordance with my design;  
FIG. 6 is a front view of the construction block in accordance with my design;  
FIG. 7 is a back view of the construction block in accordance with my design;  
FIG. 8 is a right side view of the construction block in accordance with my design; and,  
FIG. 9 is a left side view of the construction block in accordance with my design.

(56) **References Cited**

**U.S. PATENT DOCUMENTS**

- 1,356,590 A \* 10/1920 Baumann ..... E04B 2/22 52/284
- 4,148,166 A \* 4/1979 Toone ..... E04B 2/44 52/270
- D313,857 S \* 1/1991 Gabriel ..... D25/113
- 6,508,041 B1 \* 1/2003 Boot ..... E04B 2/18 52/578
- D540,475 S \* 4/2007 Price ..... D25/113
- D540,476 S \* 4/2007 Price ..... D25/113

**1 Claim, 7 Drawing Sheets**



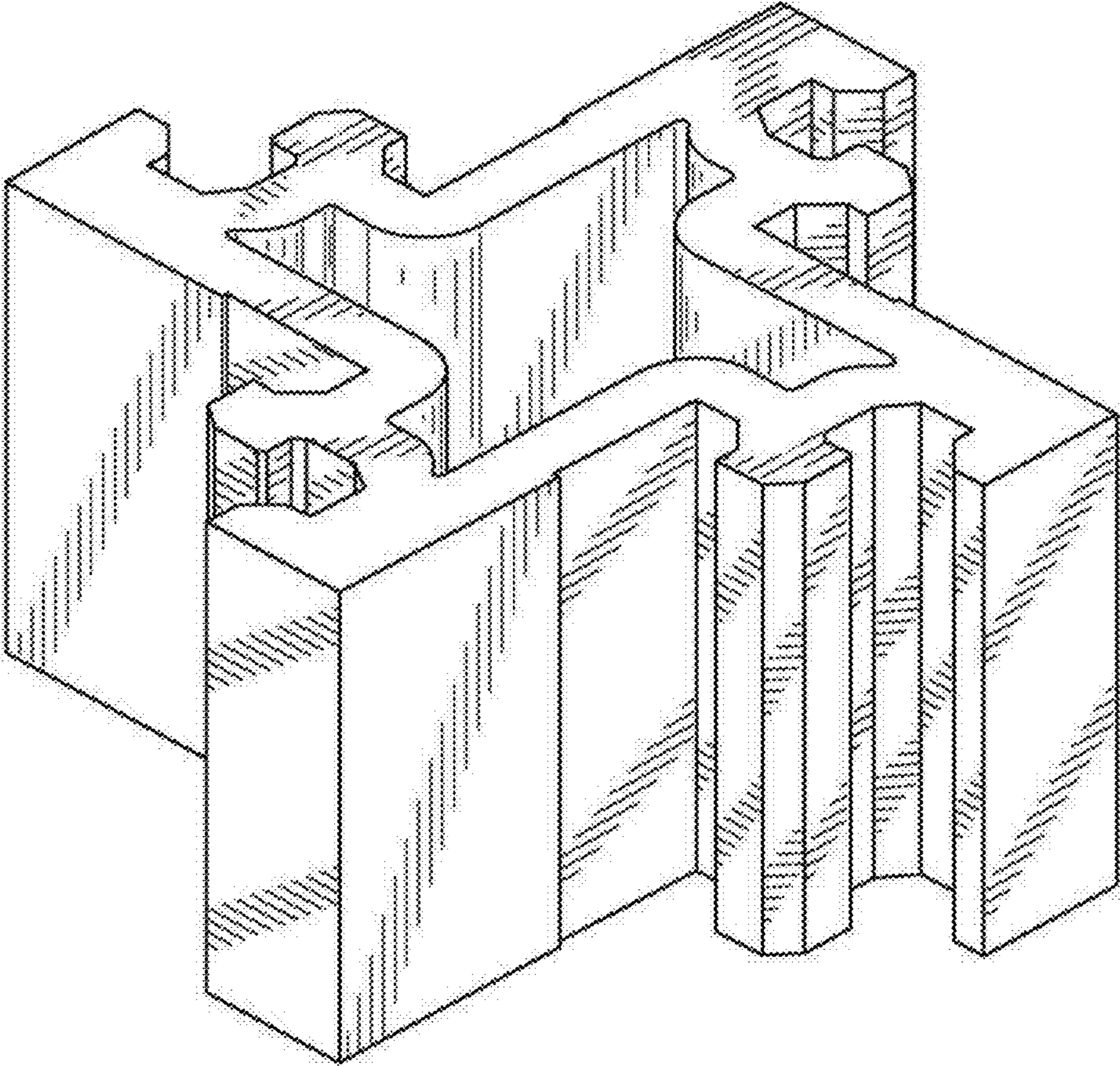


FIG. 1

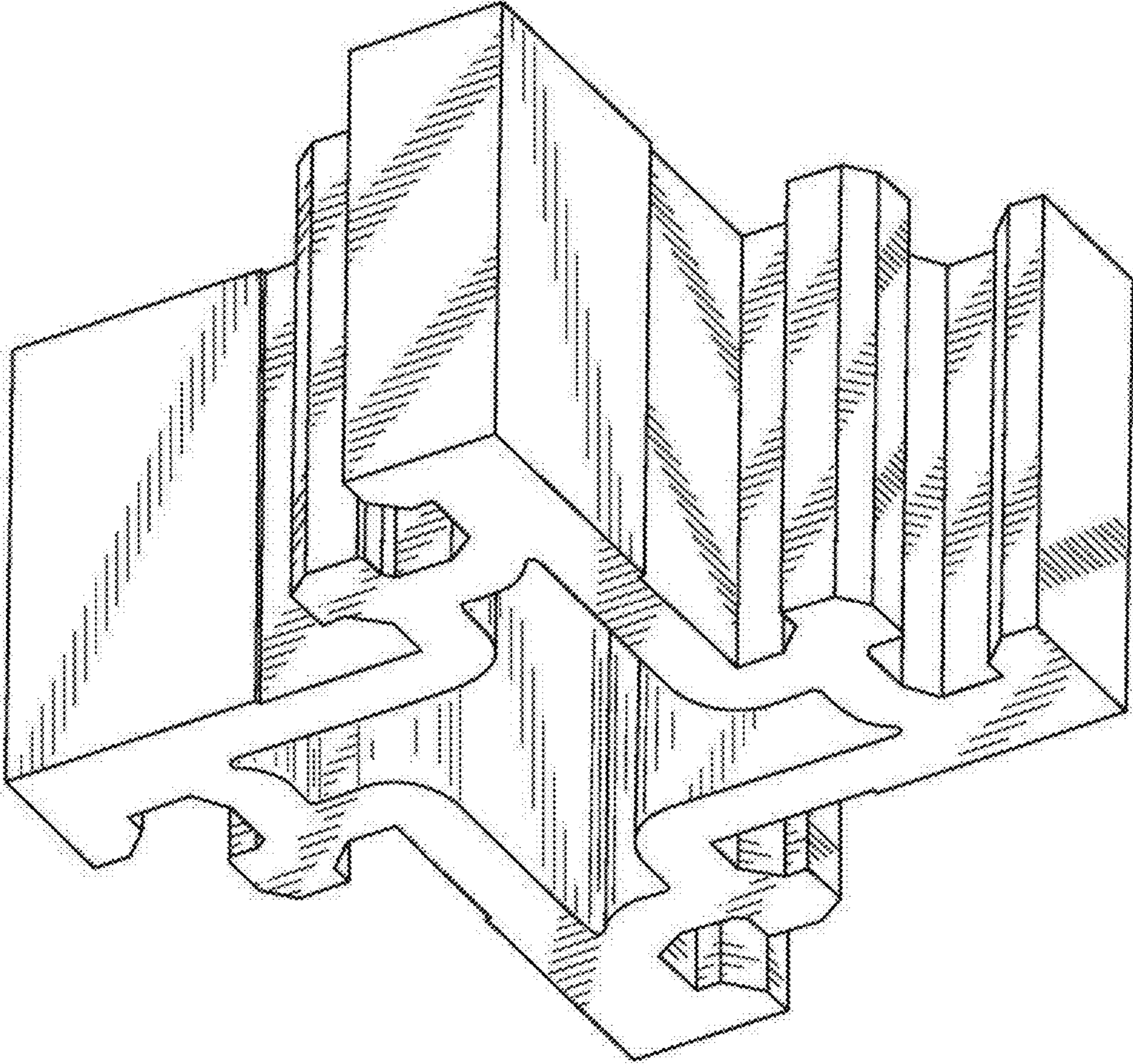


FIG. 2

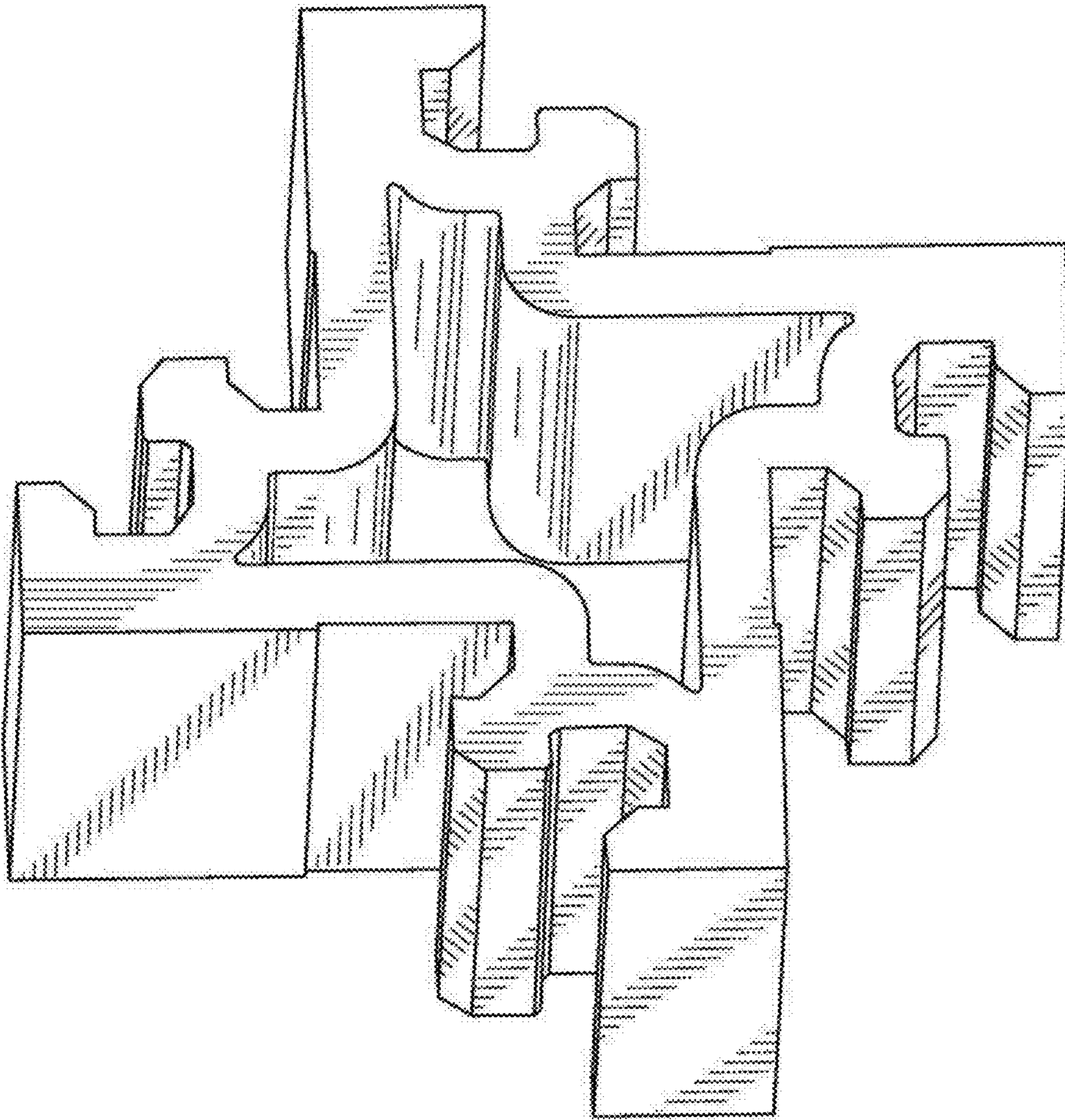


FIG. 3

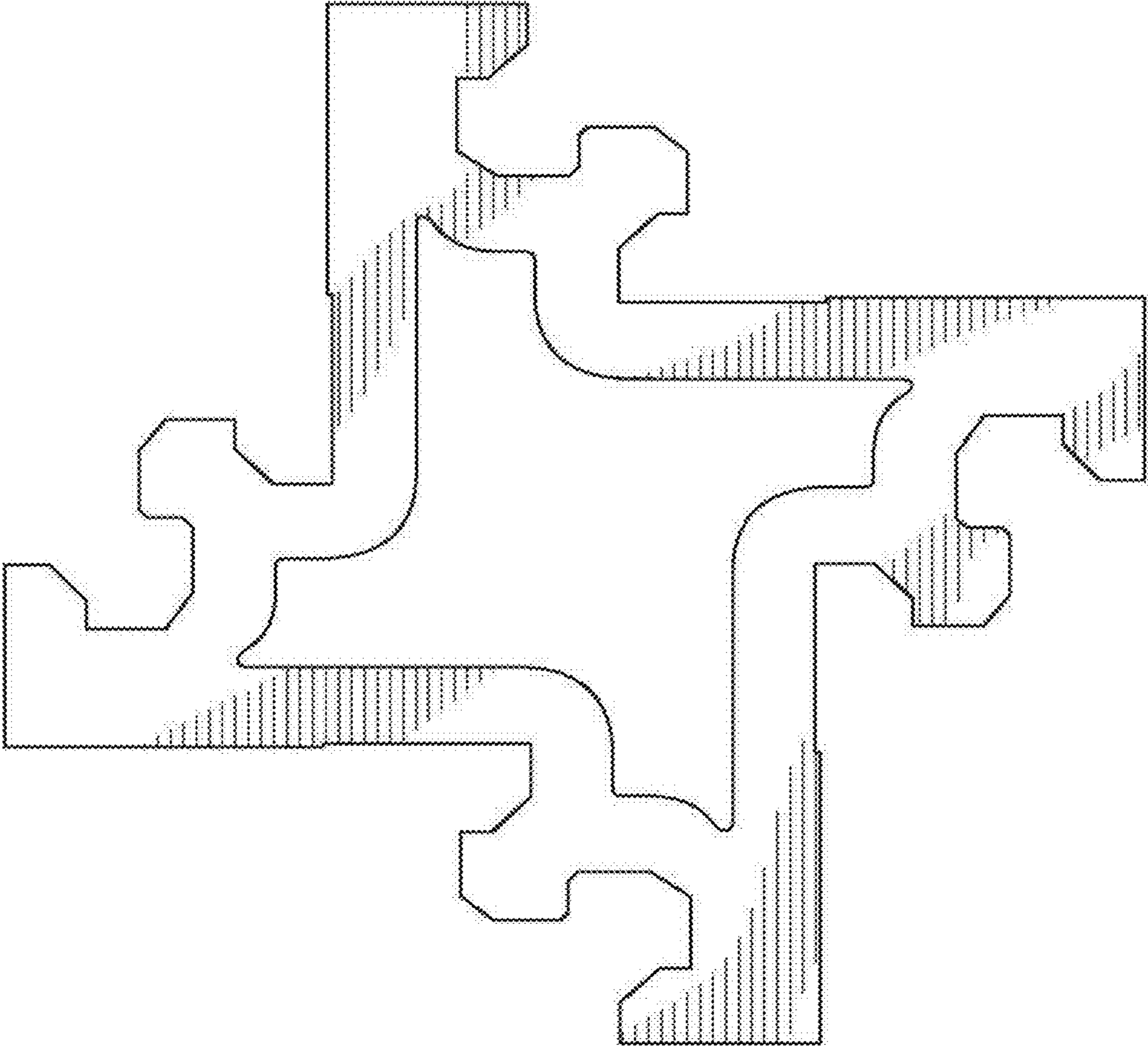


FIG. 4

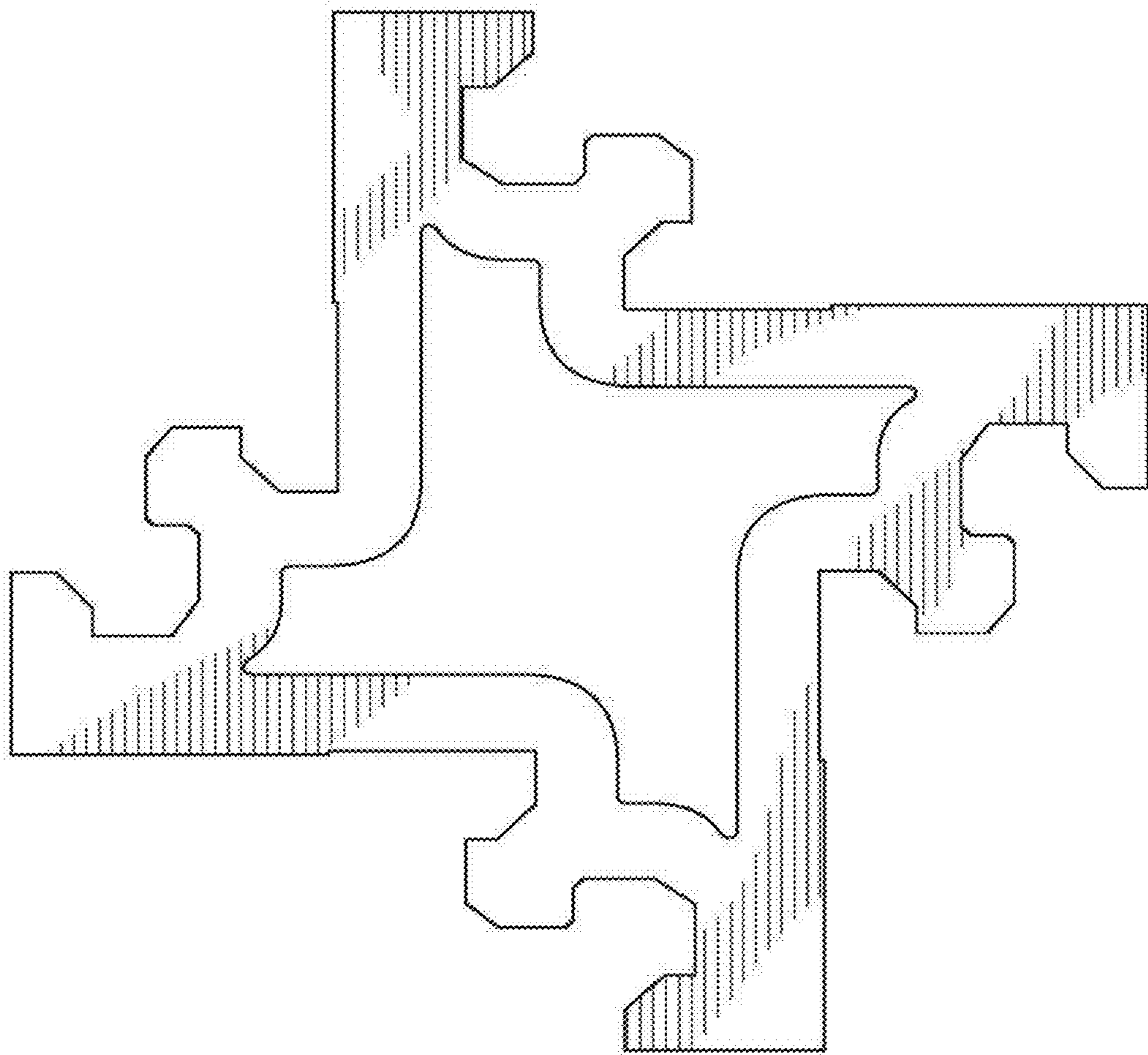


FIG. 5

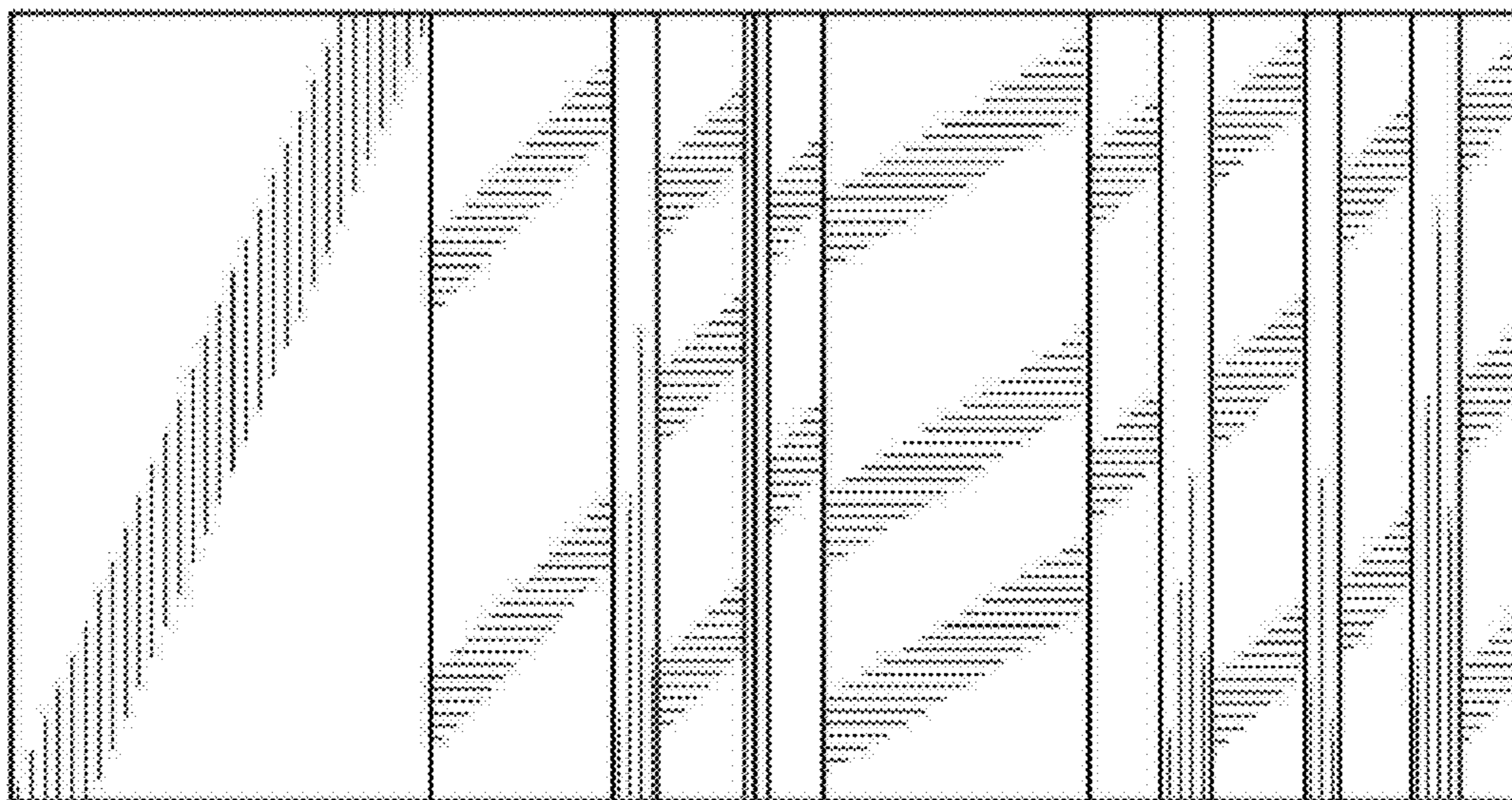


FIG. 6

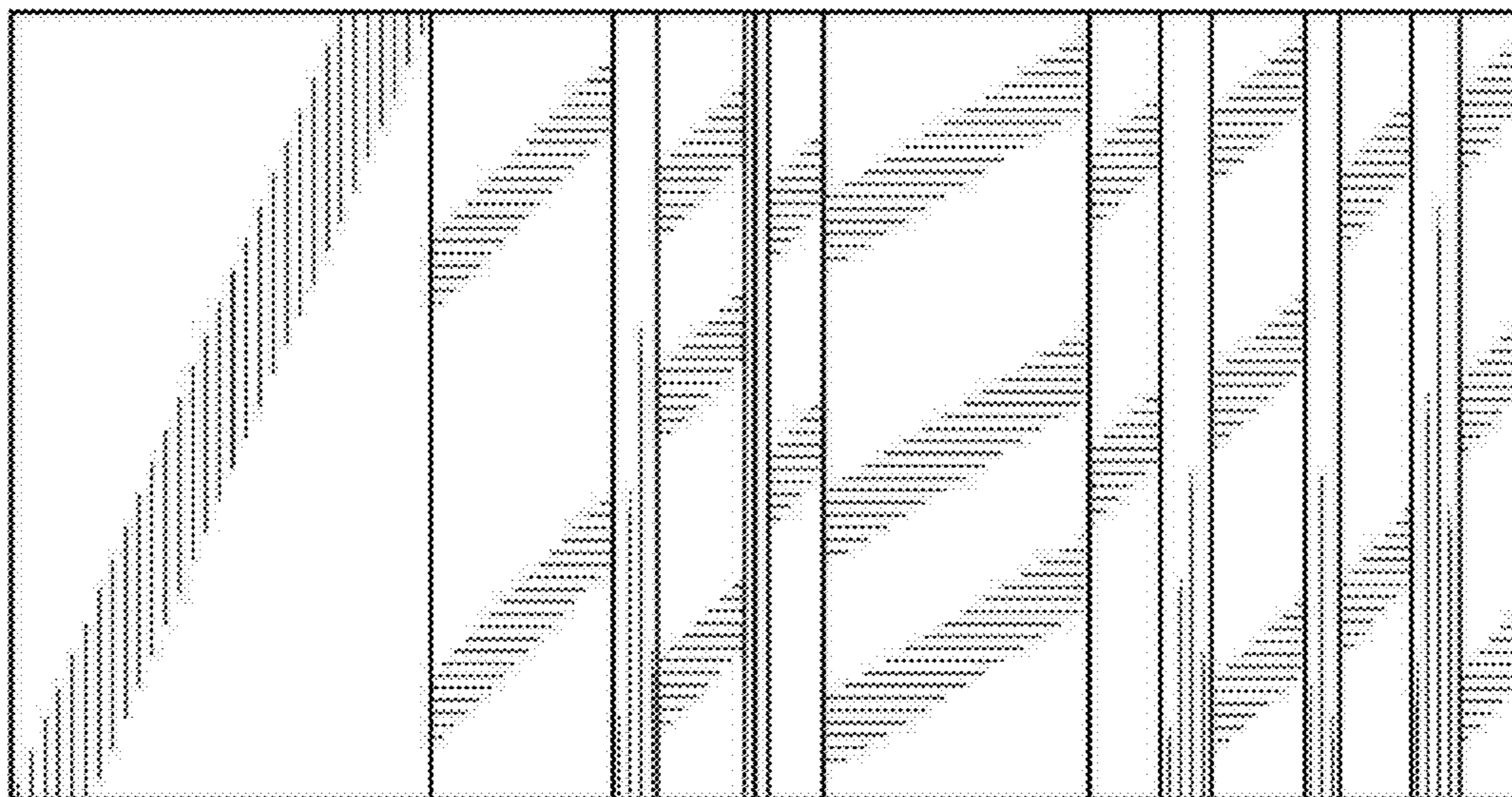


FIG. 7

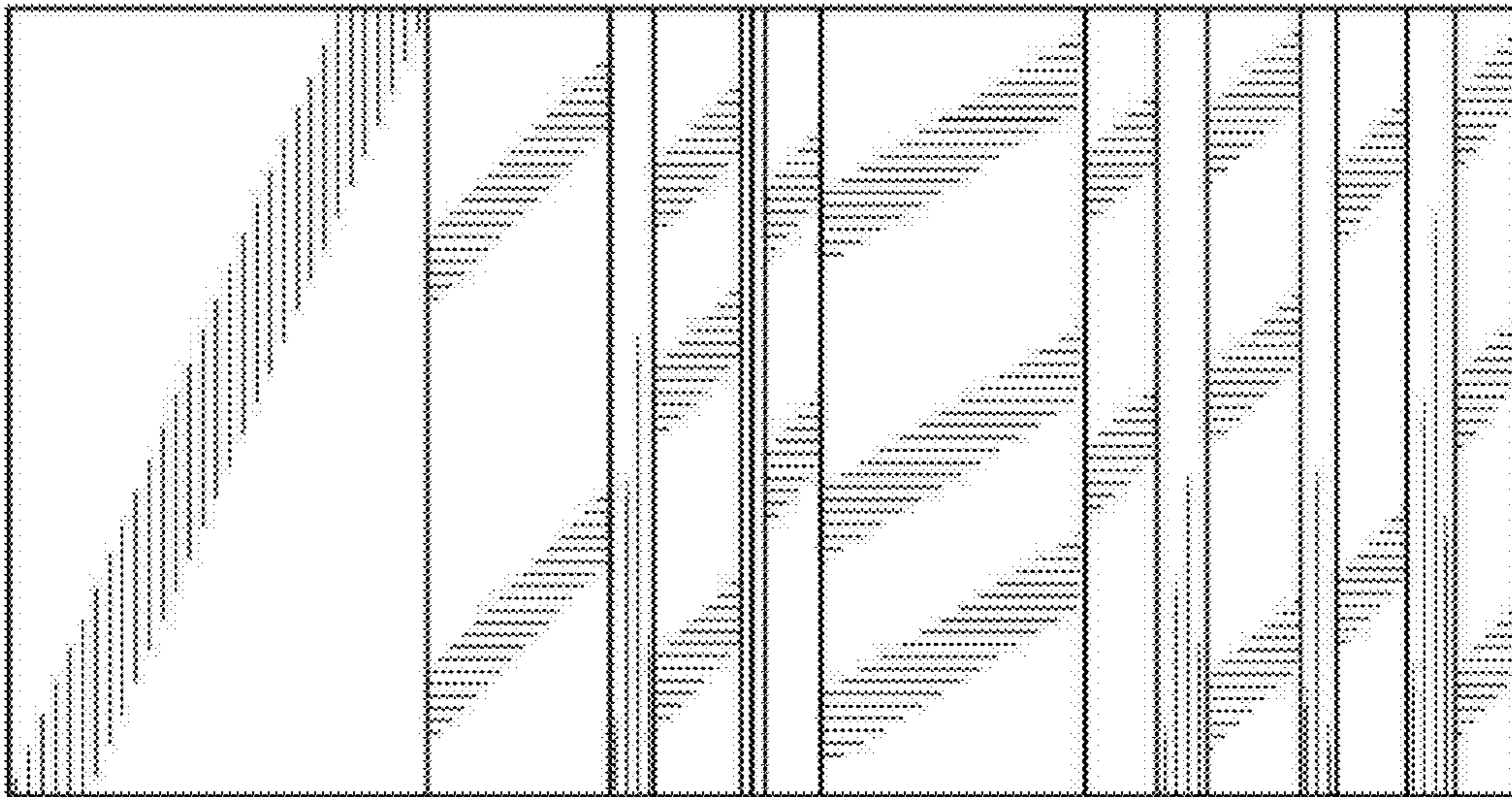


FIG. 8

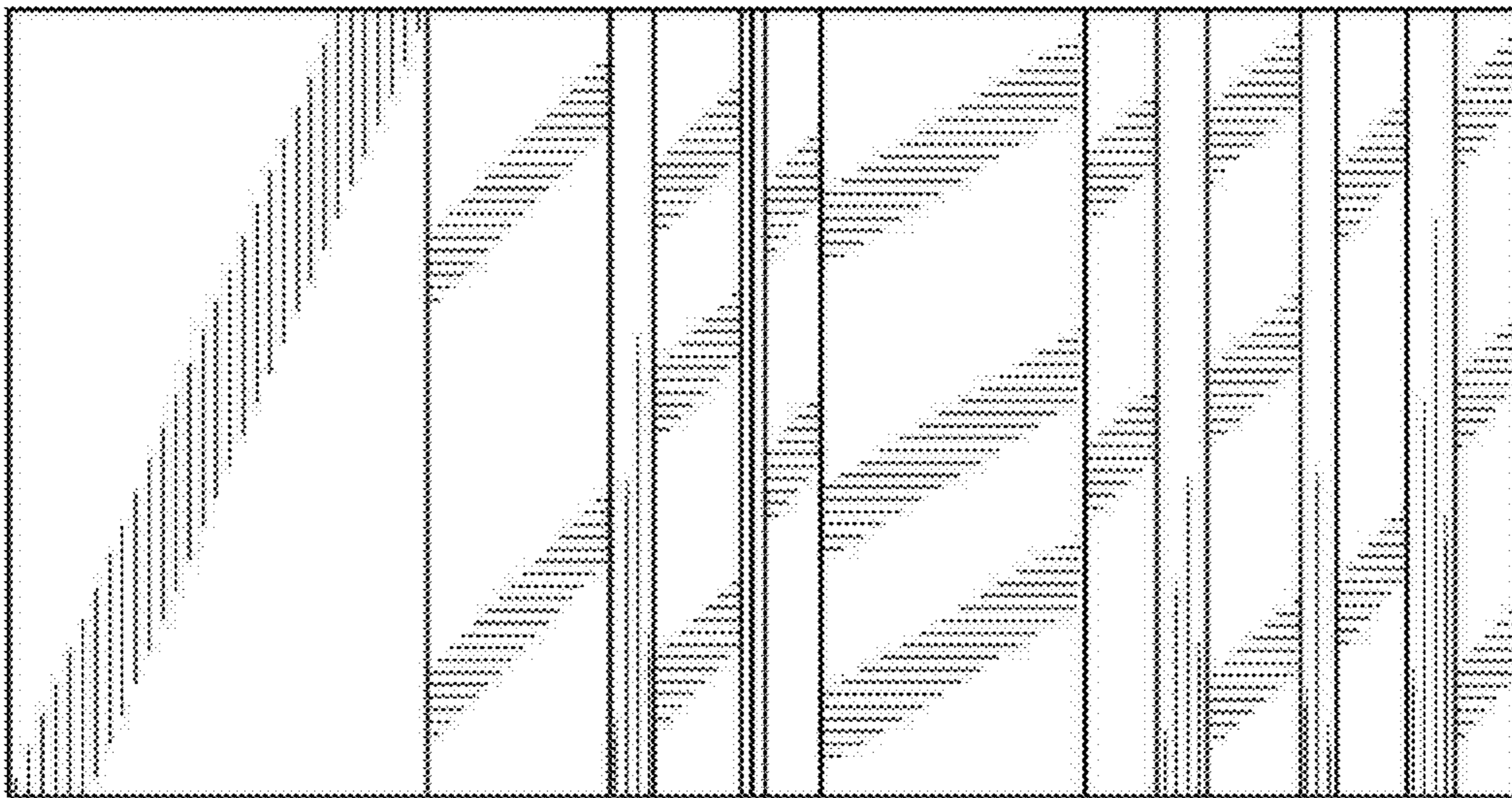


FIG. 9