



US00D835294S

(12) **United States Design Patent** (10) **Patent No.:** **US D835,294 S**
Rathnam (45) **Date of Patent:** **** Dec. 4, 2018**

(54) **POOL**

FOREIGN PATENT DOCUMENTS

(71) Applicant: **Modpro Containers Limited,**
Abbotsford (CA)

DE 2235721 A1 1/1974
DE 2742801 A1 4/1979

(Continued)

(72) Inventor: **Paul J. Rathnam,** Abbotsford (CA)

Primary Examiner — Susan Bennett Hattan

(73) Assignee: **Modpro Containers Limited,**
Abbotsford (CA)

Assistant Examiner — Suzanne E Tisdell

(74) *Attorney, Agent, or Firm* — Oyen Wiggs Green &
Mutala LLP

(**) Term: **15 Years**

(21) Appl. No.: **29/618,894**

(22) Filed: **Sep. 25, 2017**

(57) **CLAIM**

The ornamental design for a pool, as shown and described.

Related U.S. Application Data

(62) Division of application No. 29/562,384, filed on Apr.
25, 2016, now Pat. No. Des. 822,226.

(51) **LOC (11) Cl.** **25-03**

(52) **U.S. Cl.**
USPC **D25/2**

(58) **Field of Classification Search**
USPC D23/276, 277, 280.1, 316; D24/203,
D24/204, 205, 206; D25/2
CPC E04H 4/12; E04H 4/14; E04H 4/00; E04H
4/06; E04H 4/08; E04H 4/10; E04H 4/16;
Y10T 137/6988; H05B 33/08; H04W
4/00; H04W 4/02; G09B 19/00; G08B
21/04; G08B 21/08; B25B 13/50; B64D
9/00; B65D 88/00; B65D 88/02; B65D
88/12; B65D 88/52; C09D 5/00; C09D
5/028

See application file for complete search history.

DESCRIPTION

FIG. 1 is a perspective view of a first embodiment of a pool showing the design;

FIG. 2 is a top view of the embodiment shown in FIG. 1;

FIG. 3 is a front view of the embodiment shown in FIG. 1;

FIG. 4 is a rear view of the embodiment shown in FIG. 1;

FIG. 5 is a bottom view of the embodiment shown in FIG. 1;

FIG. 6 is a left end view of the embodiment shown in FIG. 1;

FIG. 7 is a right end view of the embodiment shown in FIG. 1;

FIG. 8 is a perspective view of a second embodiment of a pool showing the design, the second embodiment being generally the same as the first embodiment but having a removable divider; and,

FIG. 9 is a top view of the embodiment shown in FIG. 8.

The subject matter shown in broken lines forms no part of the claimed design. The stippled surfaces indicate surface treatment, namely a sprayfoam coating that is applied to the metal of the shipping container from which the pool is made.

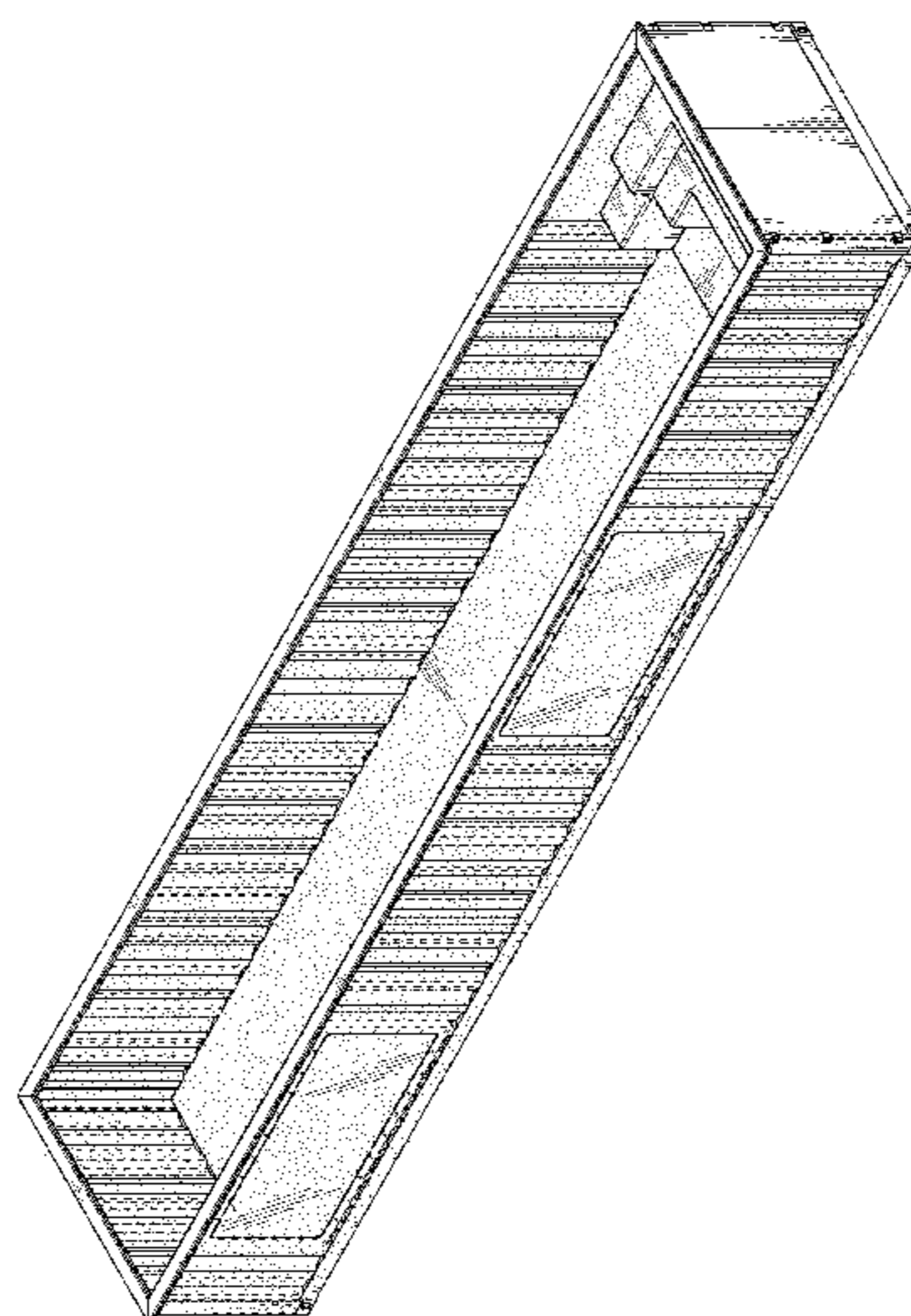
(56) **References Cited**

U.S. PATENT DOCUMENTS

3,460,166 A 8/1969 Weber
D241,643 S 9/1976 Bonsack
4,001,899 A 1/1977 Mathis
D251,201 S * 2/1979 Mathis 4/488

(Continued)

1 Claim, 6 Drawing Sheets



(56)

References Cited

U.S. PATENT DOCUMENTS

4,227,266 A * 10/1980 Russell E04H 4/12
 137/362
 D266,697 S * 10/1982 Topete D23/277
 D266,789 S * 11/1982 Topete D23/277
 D269,813 S 7/1983 Topete
 D271,522 S * 11/1983 Wiley D23/277
 D271,995 S * 12/1983 Topete D23/280.1
 D300,360 S * 3/1989 Jacuzzi D24/204
 4,930,168 A 6/1990 Ferlise
 D321,923 S * 11/1991 Ross D21/815
 D324,729 S * 3/1992 Yvetot D23/280.1
 D388,880 S 1/1998 DeFilippo
 D417,286 S * 11/1999 Sullivan D25/2
 6,640,352 B2 11/2003 Huang
 D510,630 S * 10/2005 Sullivan D25/2
 7,070,096 B2 7/2006 Muller
 D608,902 S * 1/2010 Gill D25/2
 D660,442 S * 5/2012 Sullivan D24/201
 D685,500 S * 7/2013 Sullivan D25/2
 D703,795 S * 4/2014 Licini D23/277
 RE45,820 E * 12/2015 Jiang D23/277
 D782,631 S * 3/2017 Schachter D23/277
 2005/0150175 A1 7/2005 Guigan
 2010/0095448 A1 4/2010 Goldman
 2010/0187146 A1 7/2010 Kochanowski
 2011/0240497 A1 10/2011 Dechene
 2011/0299935 A1 12/2011 Dornberg
 2012/0175578 A1 * 7/2012 Boudreau E04H 4/06
 256/26

2013/0068763 A1 3/2013 Kochanowski
 2013/0245183 A1 9/2013 Beaudry
 2013/0247351 A1 9/2013 Stutson, Jr.
 2014/0283452 A1 9/2014 Dittman
 2015/0089732 A1 * 4/2015 Khamis E04H 4/0037
 4/506
 2015/0240509 A1 * 8/2015 Ferriss A63B 69/125
 4/492
 2015/0266666 A1 9/2015 Wong
 2016/0083176 A1 3/2016 Kraft
 2016/0102470 A1 * 4/2016 Brooks E04H 4/14
 4/506
 2016/0130828 A1 * 5/2016 Moody E04H 4/10
 4/503
 2016/0288993 A1 10/2016 Hu
 2016/0311613 A1 10/2016 Churbuck
 2016/0318609 A1 11/2016 Lynn

FOREIGN PATENT DOCUMENTS

DE 202006017784 U1 2/2007
 DE 102009033144 A1 2/2010
 DE 102010032727 A1 1/2012
 DE 102010032730 A1 1/2012
 DE 102011078799 A1 2/2012
 DE 202013003755 U1 5/2013
 EP 1588988 A1 10/2005
 EP 2230213 B1 9/2010
 TW 200833237 A 8/2008
 WO 9748647 12/1997

* cited by examiner

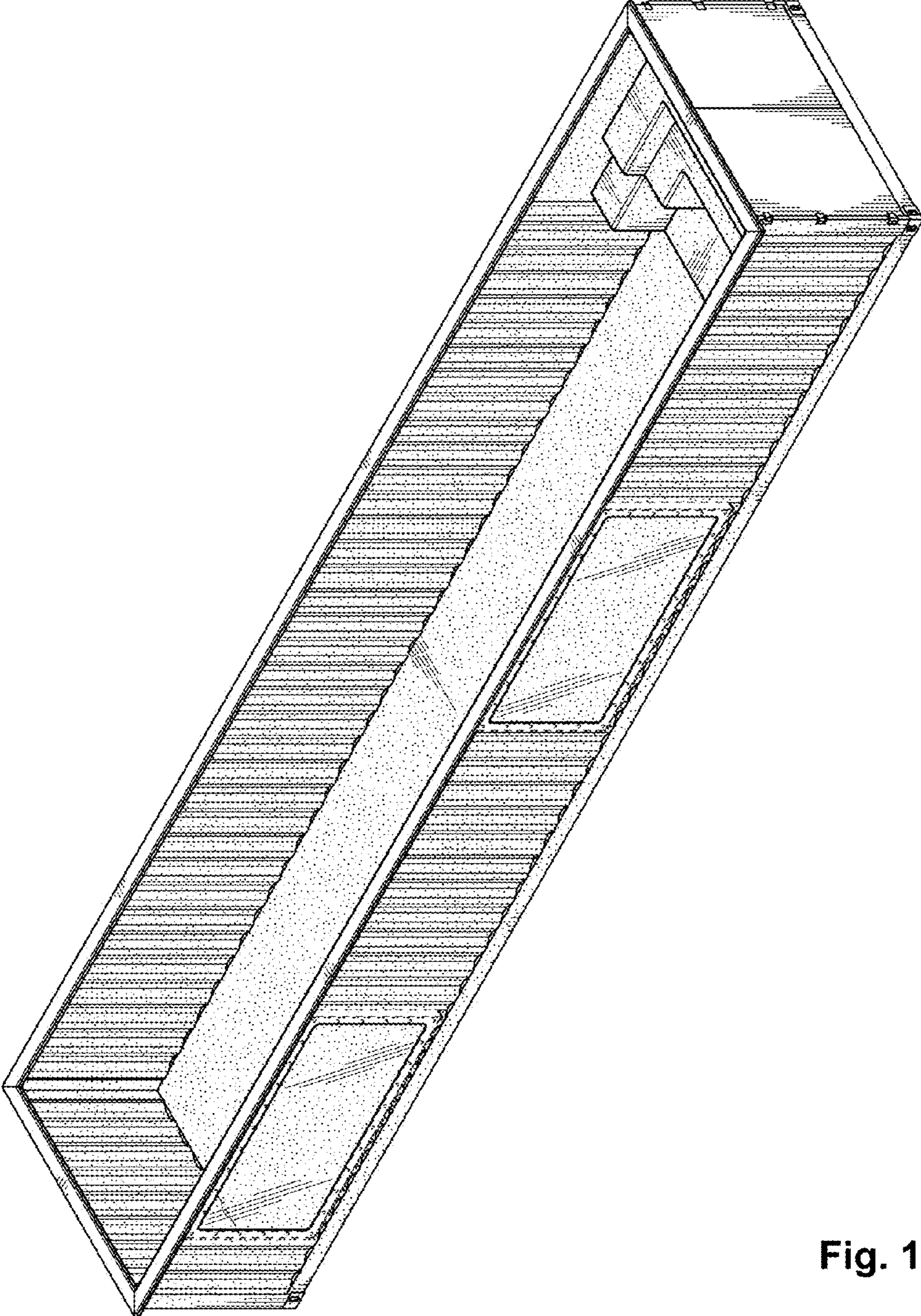


Fig. 1

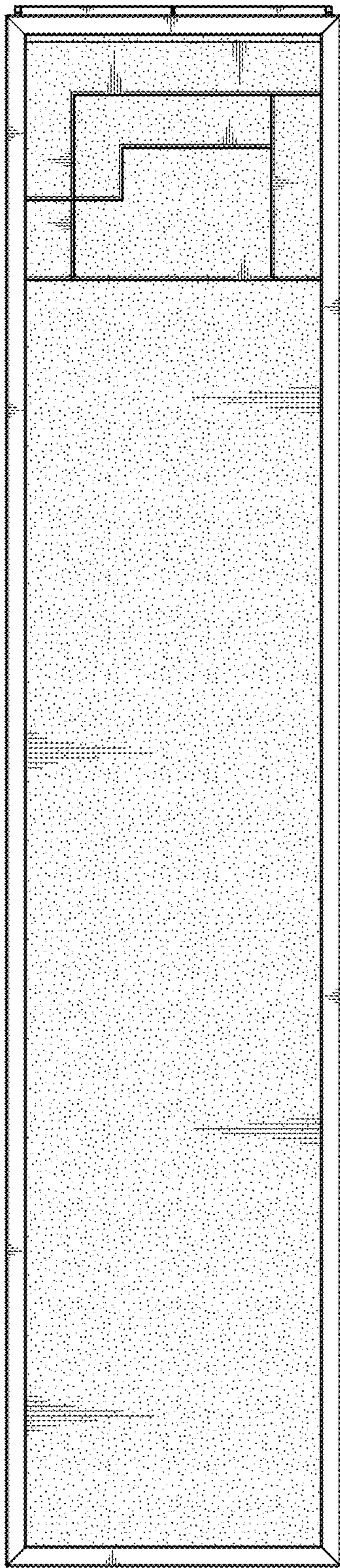


Fig. 2

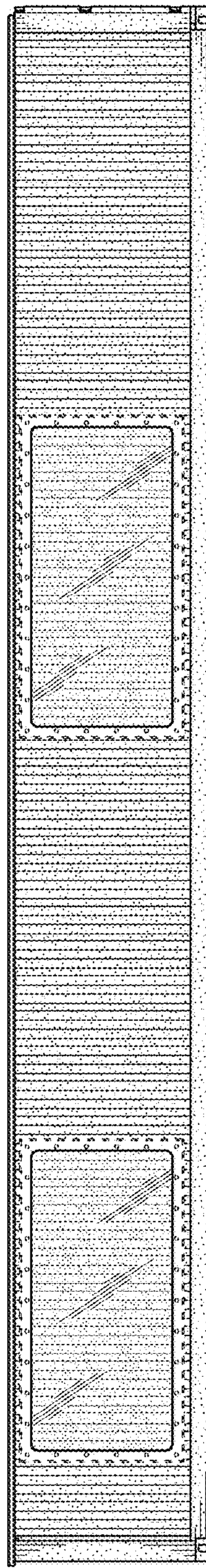


Fig. 3

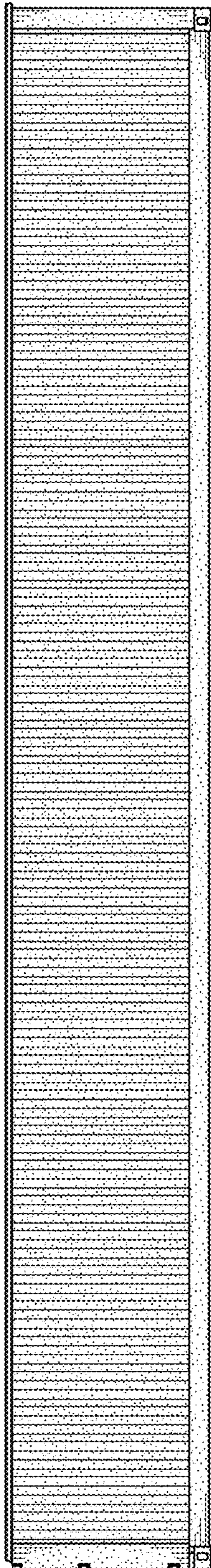


Fig. 4

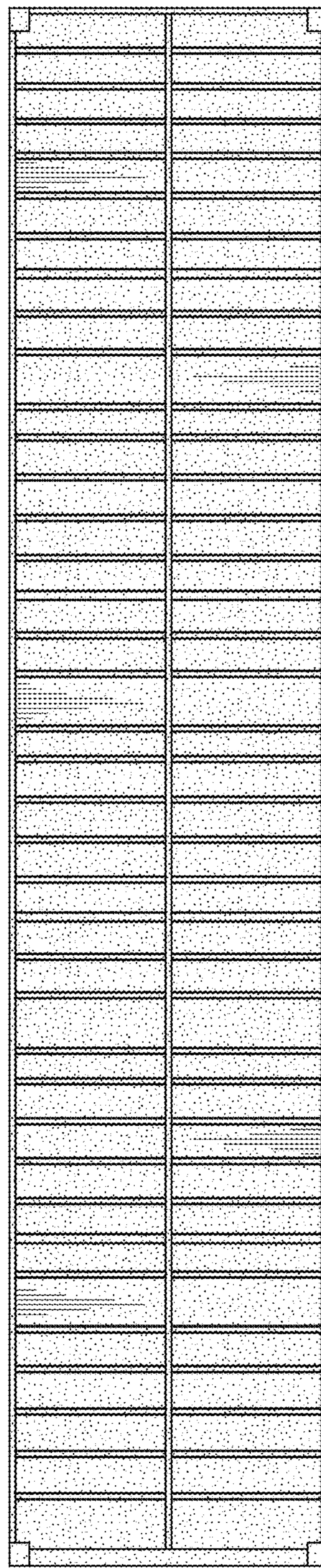


Fig. 5

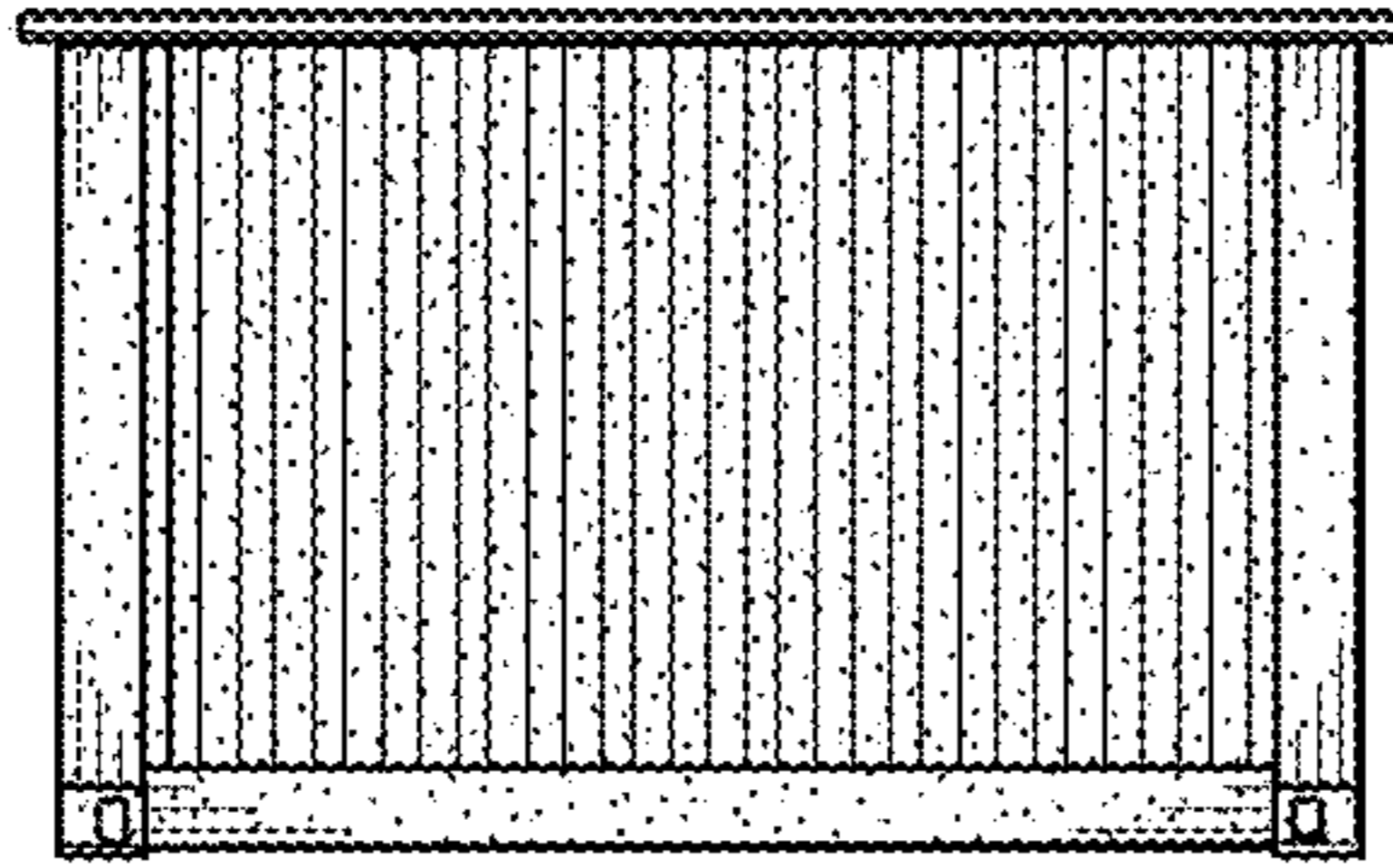


Fig. 6

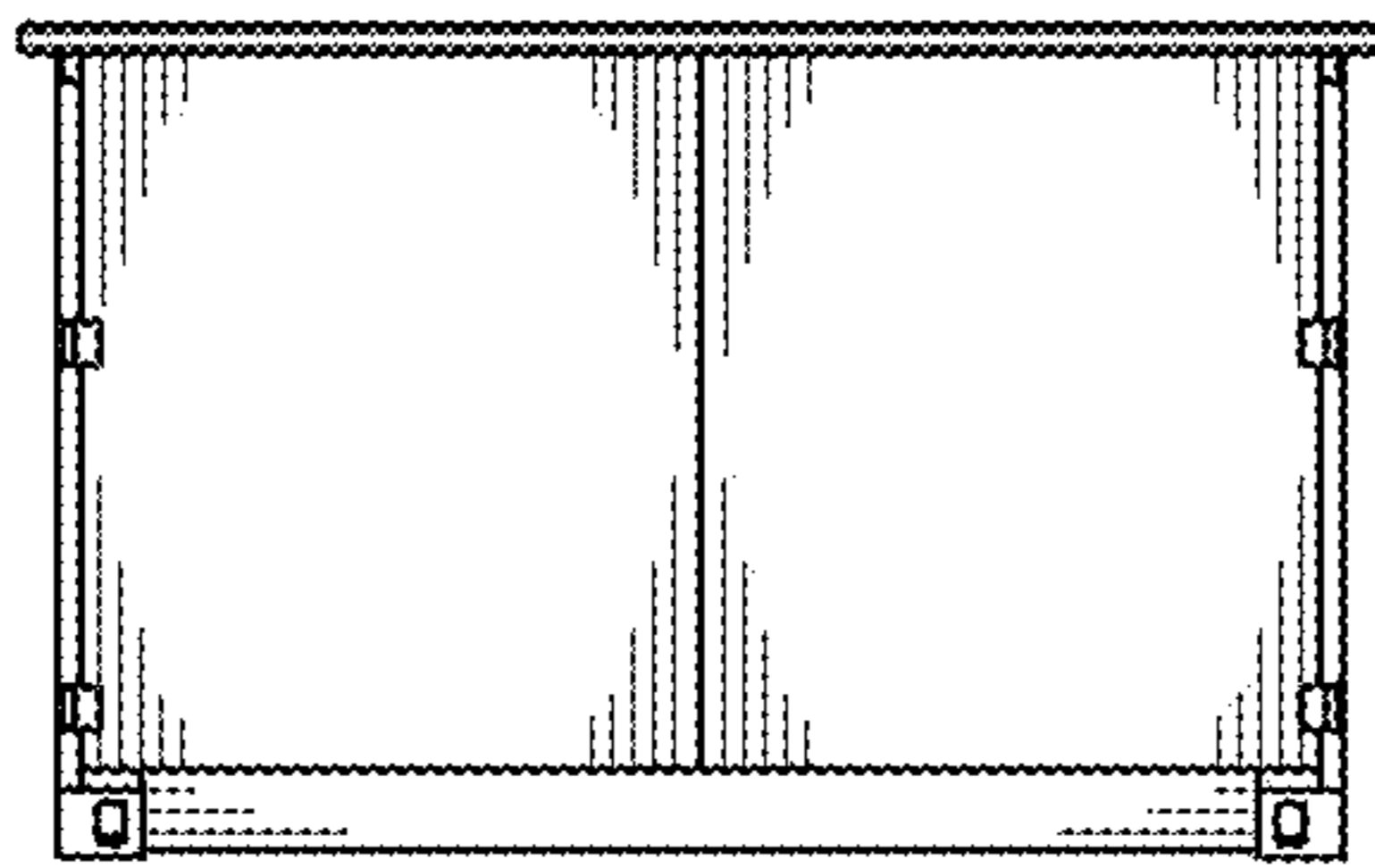


Fig. 7

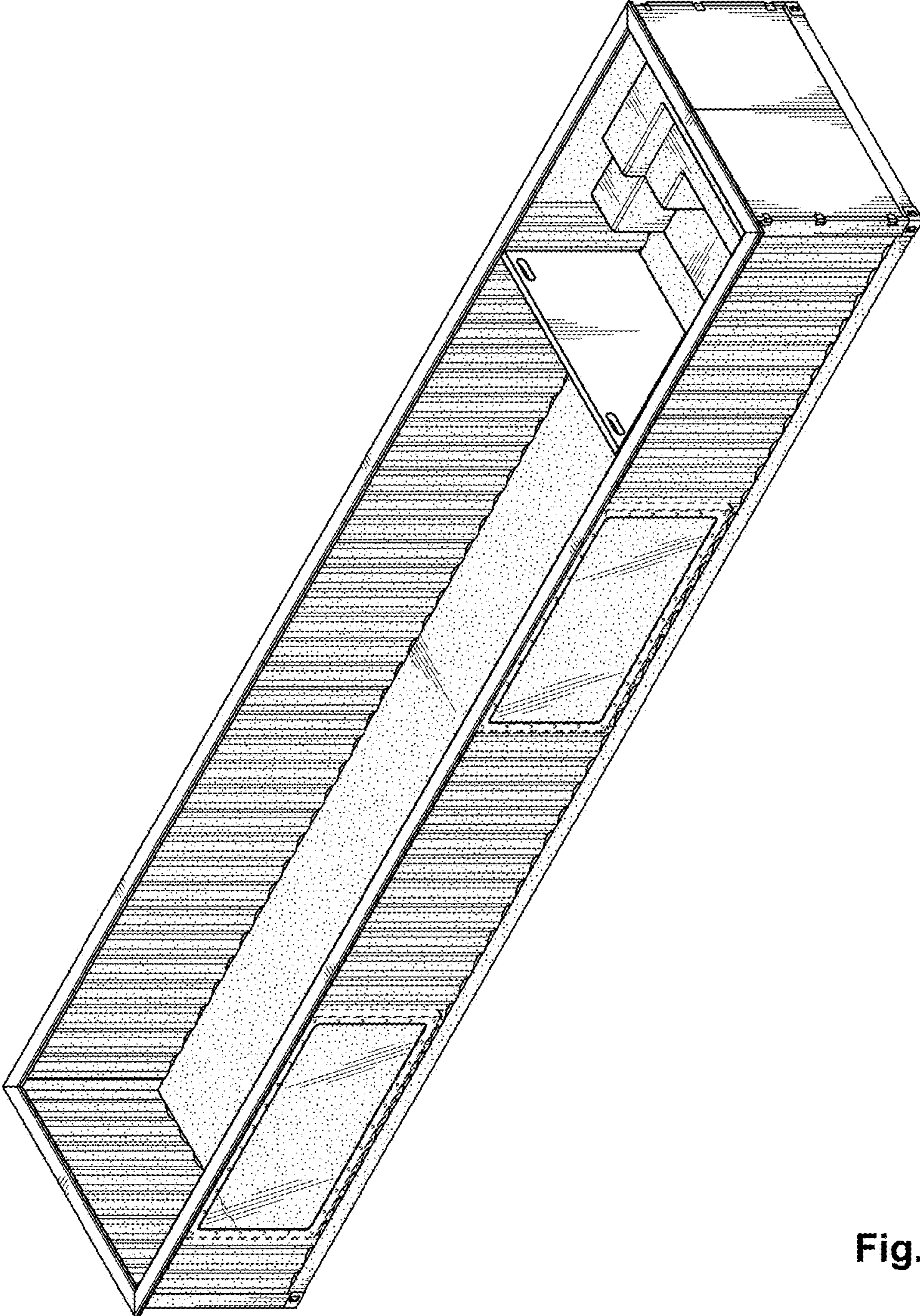


Fig. 8

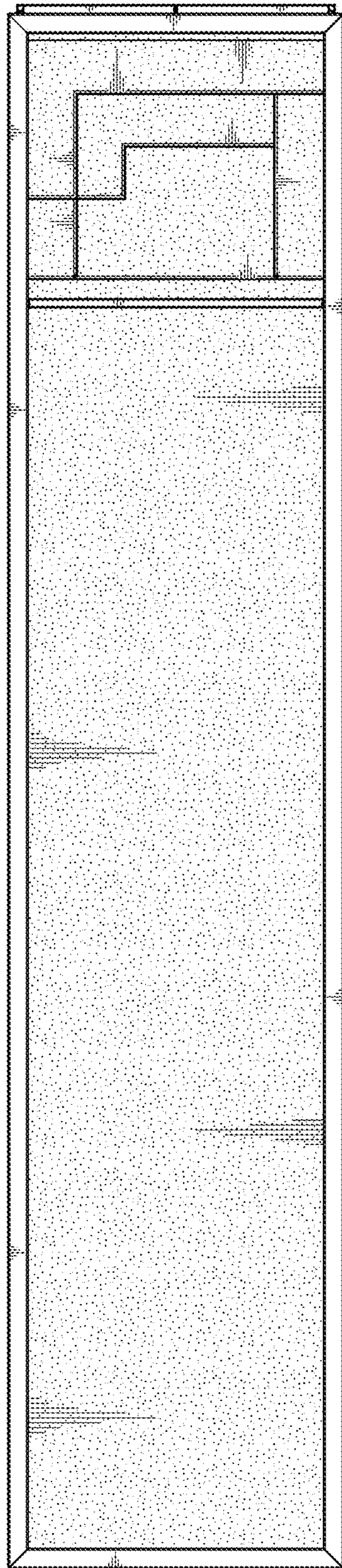


Fig. 9