



US00D835293S

(12) **United States Design Patent** (10) **Patent No.:** **US D835,293 S**
Masuda et al. (45) **Date of Patent:** **** Dec. 4, 2018**

(54) **GENE ANALYSIS APPARATUS**
(71) Applicant: **Hitachi High-Technologies Corporation**, Minato-ku, Tokyo (JP)
(72) Inventors: **Ai Masuda**, Tokyo (JP); **Hiroyuki Noda**, Tokyo (JP); **Hiroyuki Higashino**, Tokyo (JP); **Jin Matsumura**, Tokyo (JP); **Motohiro Yamazaki**, Tokyo (JP)
(73) Assignee: **Hitachi High-Technologies Corporation**, Tokyo (JP)

D670,402 S * 11/2012 Shibata D24/216
D682,441 S * 5/2013 Kim D24/216
D692,156 S * 10/2013 Matoba D24/216
9,205,379 B2 * 12/2015 Latham G01N 27/44739
D796,056 S * 8/2017 Saito D24/232
2012/0003627 A1 * 1/2012 Scholl G01N 35/00029
435/5
2015/0132789 A1 * 5/2015 Bornheimer G01N 21/6428
435/29

* cited by examiner

Primary Examiner — Anhdao Doan
(74) *Attorney, Agent, or Firm* — Crowell & Moring LLP

(**) Term: **15 Years**
(21) Appl. No.: **29/586,483**
(22) Filed: **Dec. 5, 2016**

(30) **Foreign Application Priority Data**

Jun. 7, 2016 (JP) 2016-012099

(51) **LOC (11) Cl.** **24-01**

(52) **U.S. Cl.**
USPC **D24/232**

(58) **Field of Classification Search**
USPC D24/107, 169, 185, 186, 216–219,
D24/231–234; D10/81
CPC G01N 21/0483; G01N 21/0303; G01N
35/00029; G01N 35/00019; G01N
2035/00326; G01N 21/6428; G01N
21/6486; G01N 2201/061
See application file for complete search history.

(56) **References Cited**

U.S. PATENT DOCUMENTS

D556,914 S * 12/2007 Okamoto D24/233
D621,523 S * 8/2010 Onuma D24/234

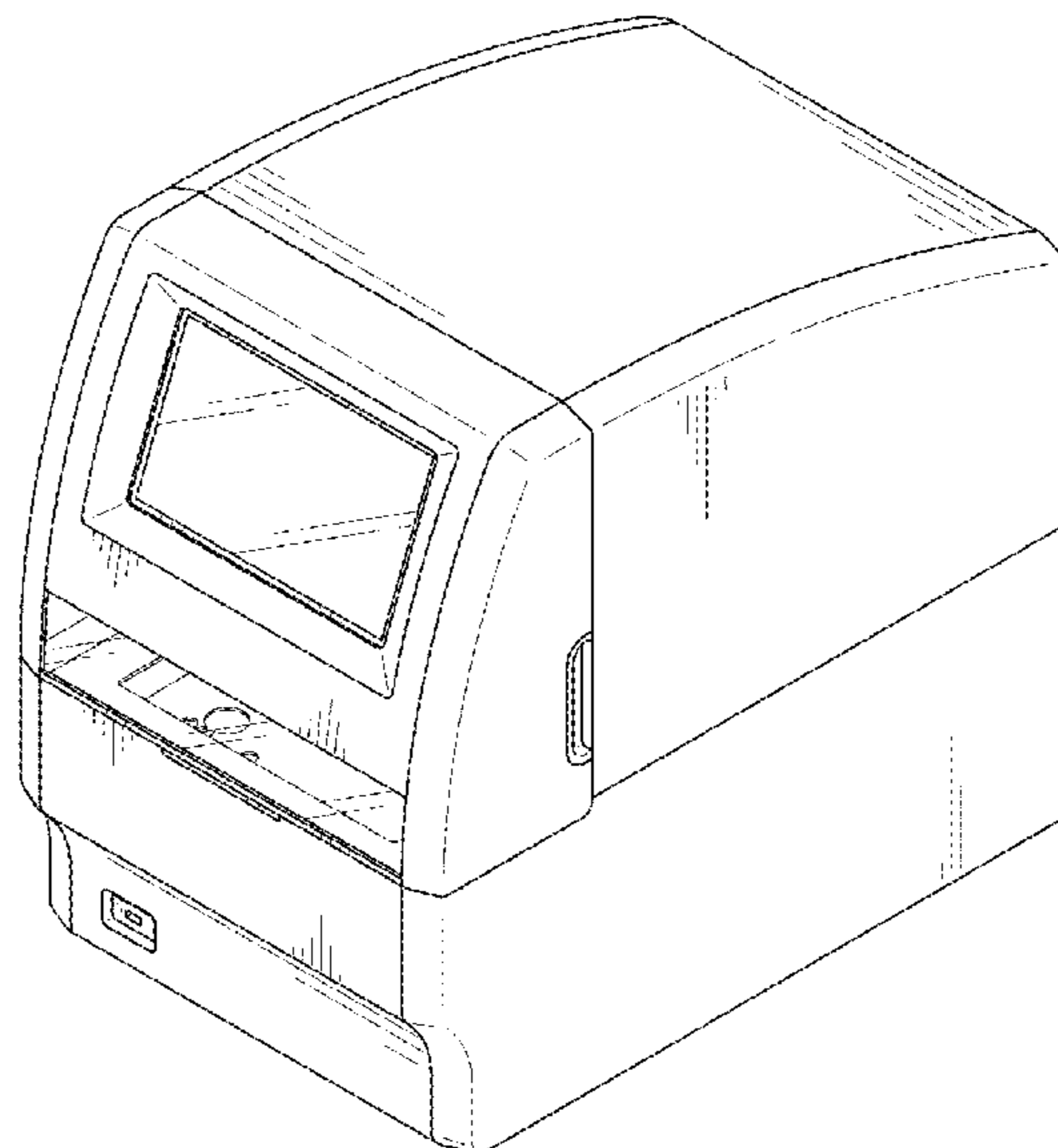
(57) **CLAIM**

The ornamental design for a gene analysis apparatus, as shown and described.

DESCRIPTION

FIG. 1 is a front and top perspective view of a gene analysis apparatus according to the design;
FIG. 2 is a front elevational view thereof;
FIG. 3 is a rear elevational view thereof;
FIG. 4 is a top plan view thereof;
FIG. 5 is a bottom plan view thereof;
FIG. 6 is a right side elevational view thereof;
FIG. 7 is a left side elevational view thereof;
FIG. 8 is a cross-sectional view taken along line 8-8 of FIG. 2; and,
FIG. 9 is a front and top perspective view showing the door in an open position.
The broken lines in the drawings depict unclaimed environmental subject matter.

1 Claim, 4 Drawing Sheets



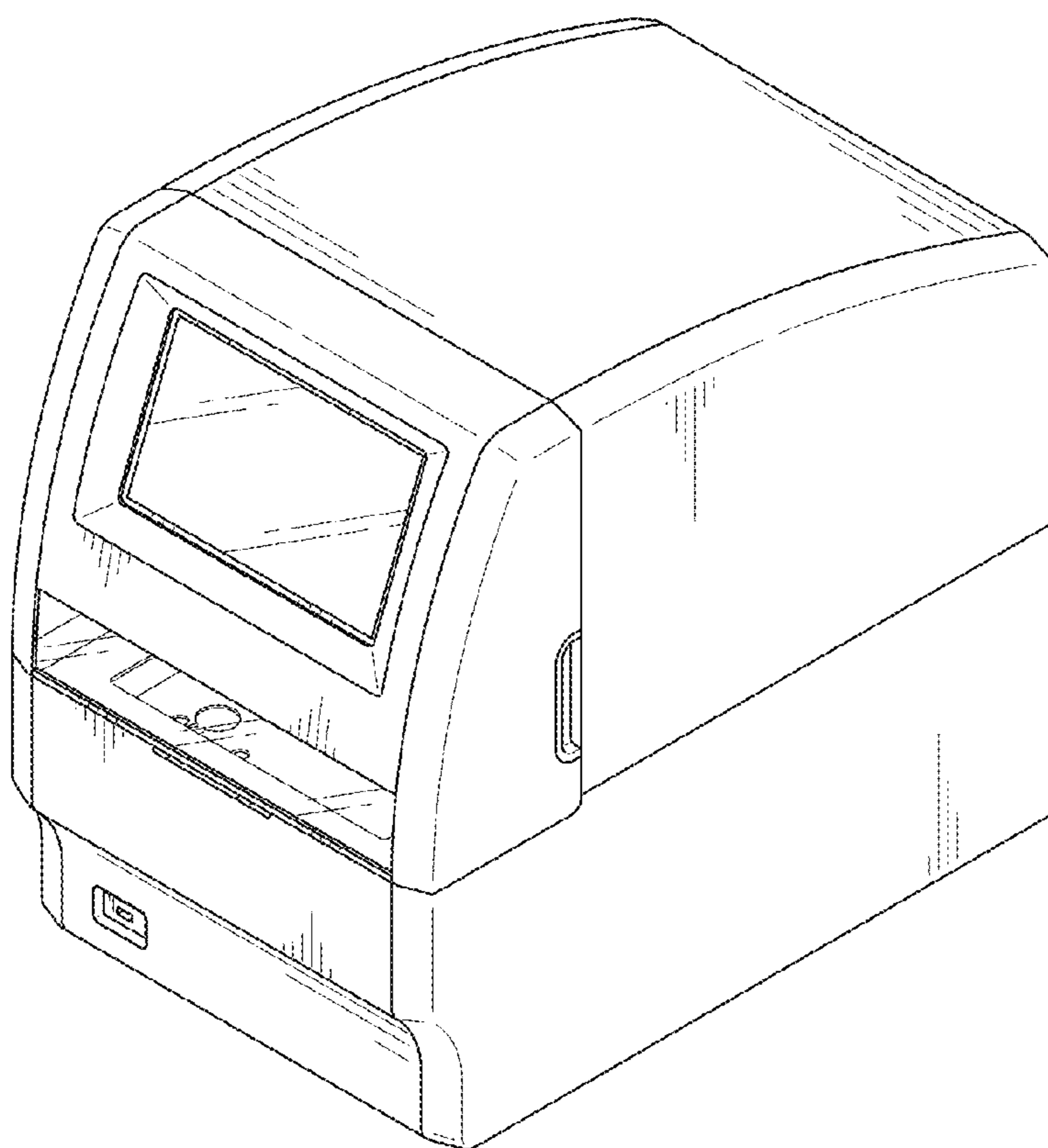


FIG. 1

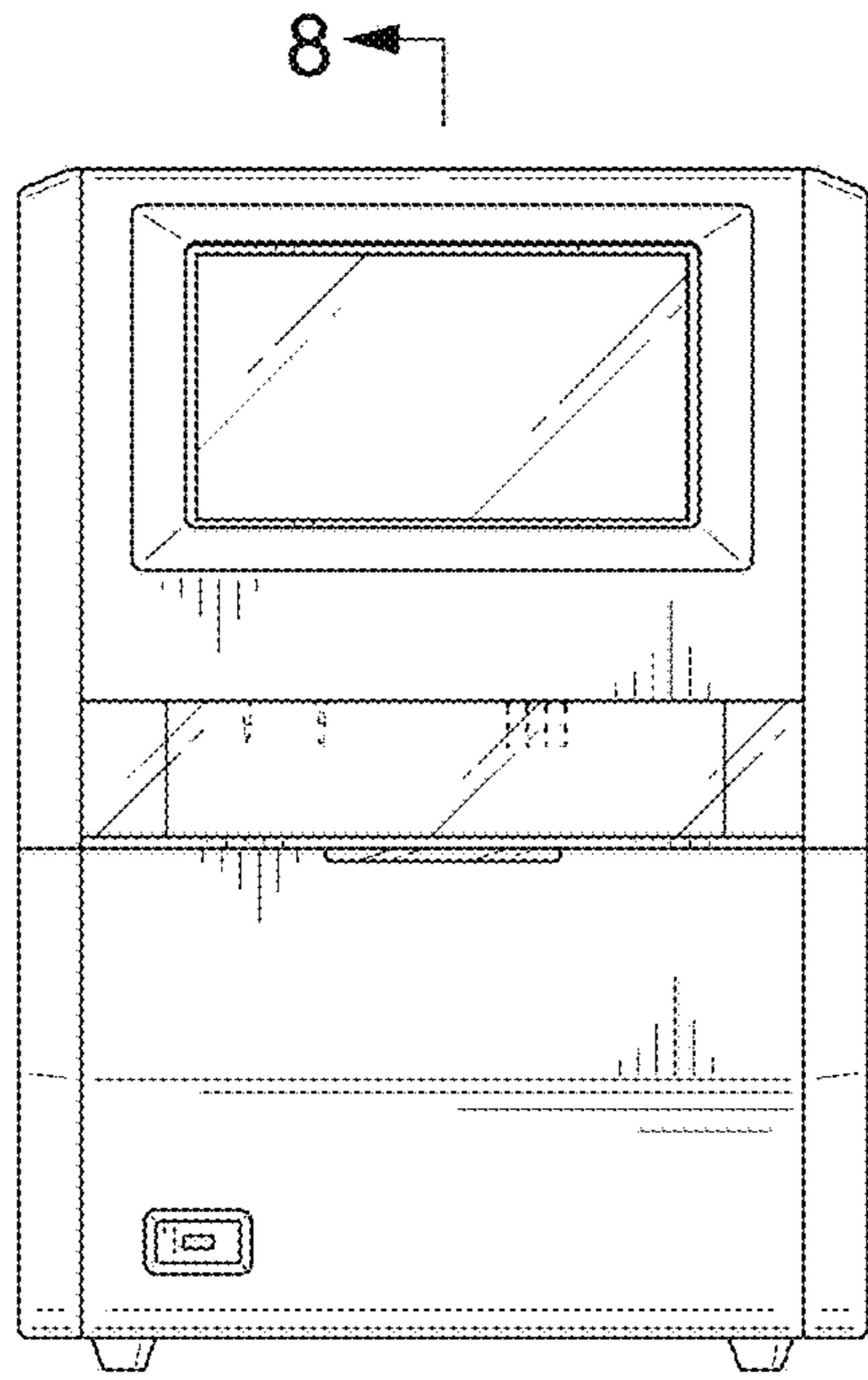


FIG. 2

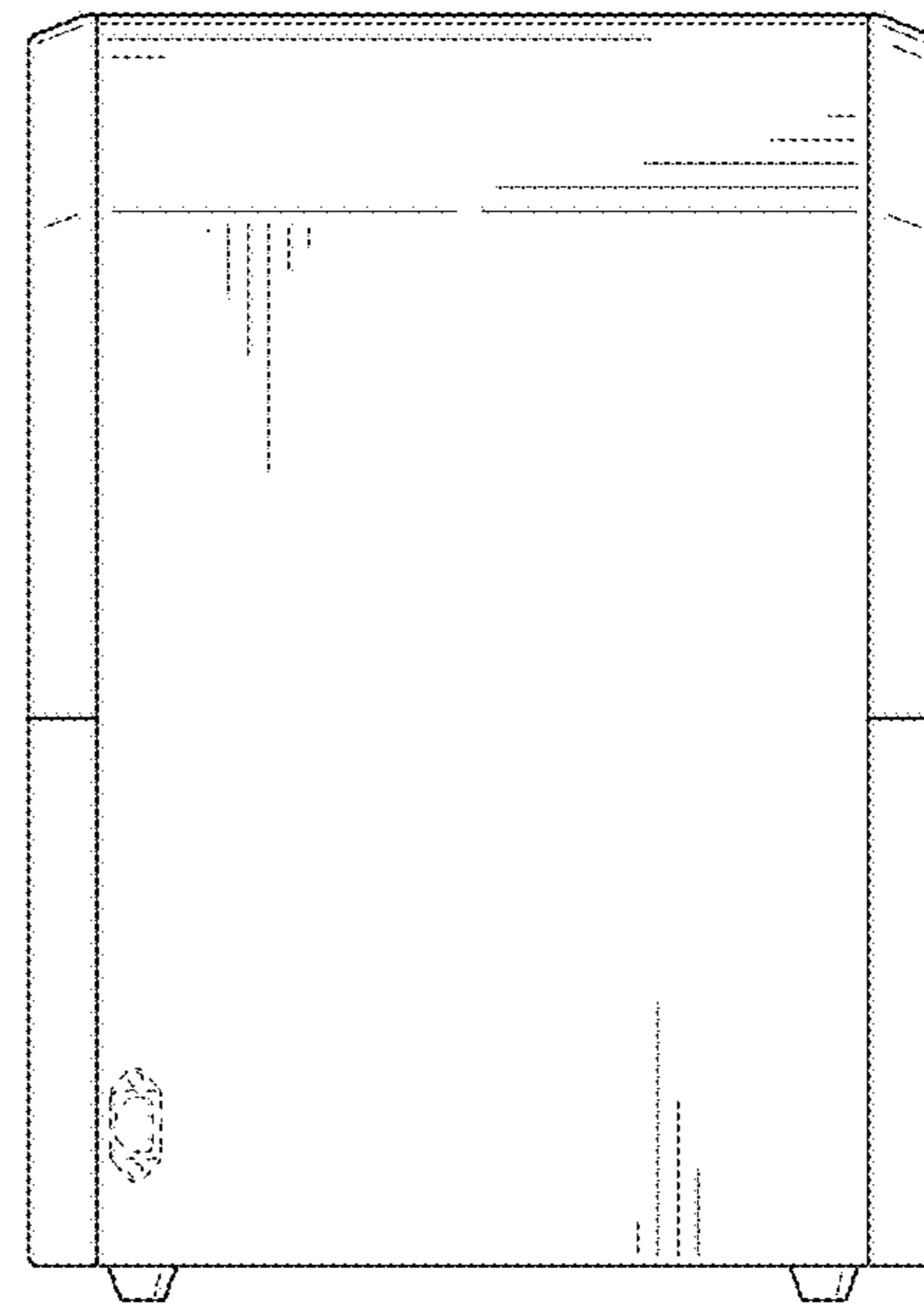


FIG. 3

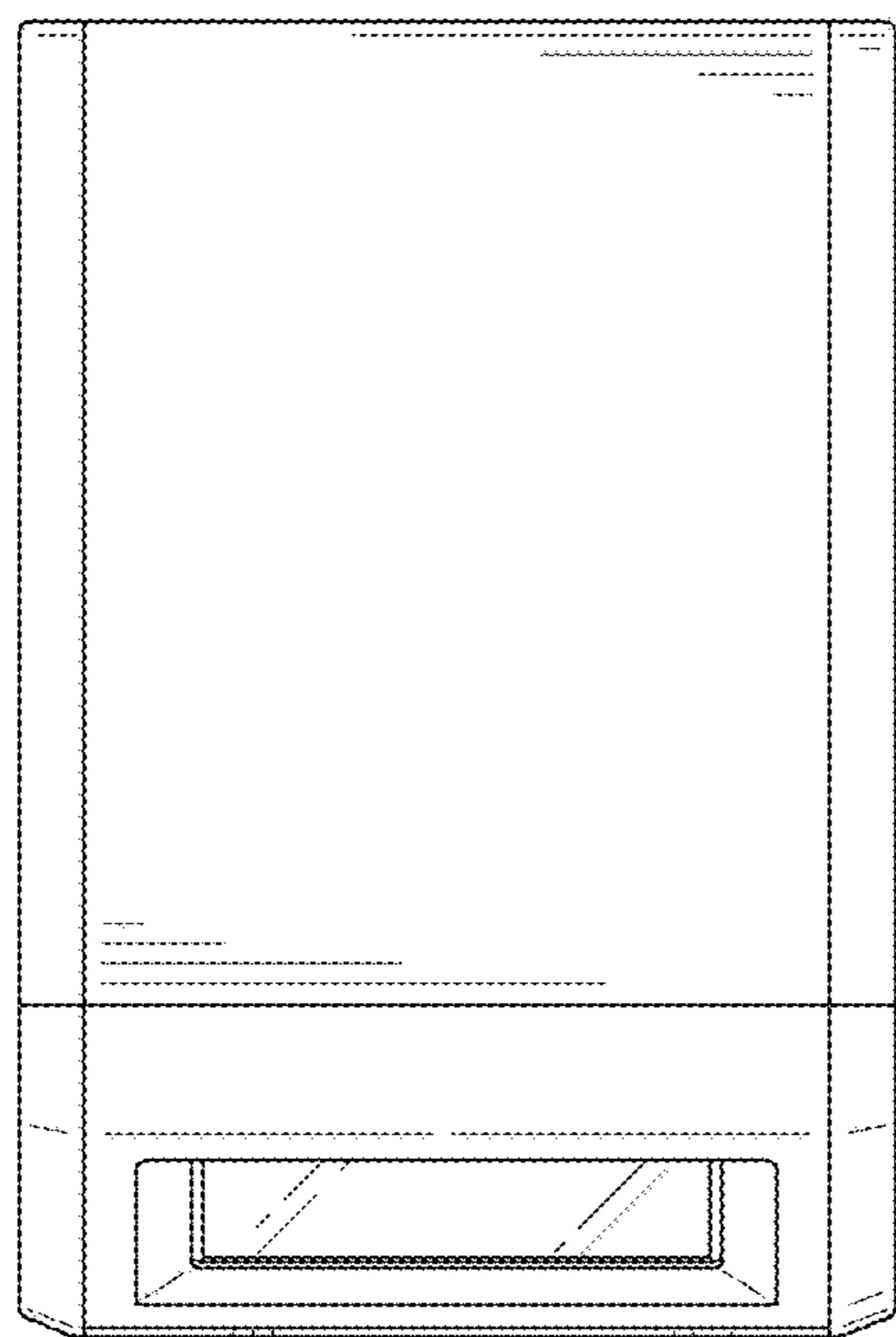


FIG. 4

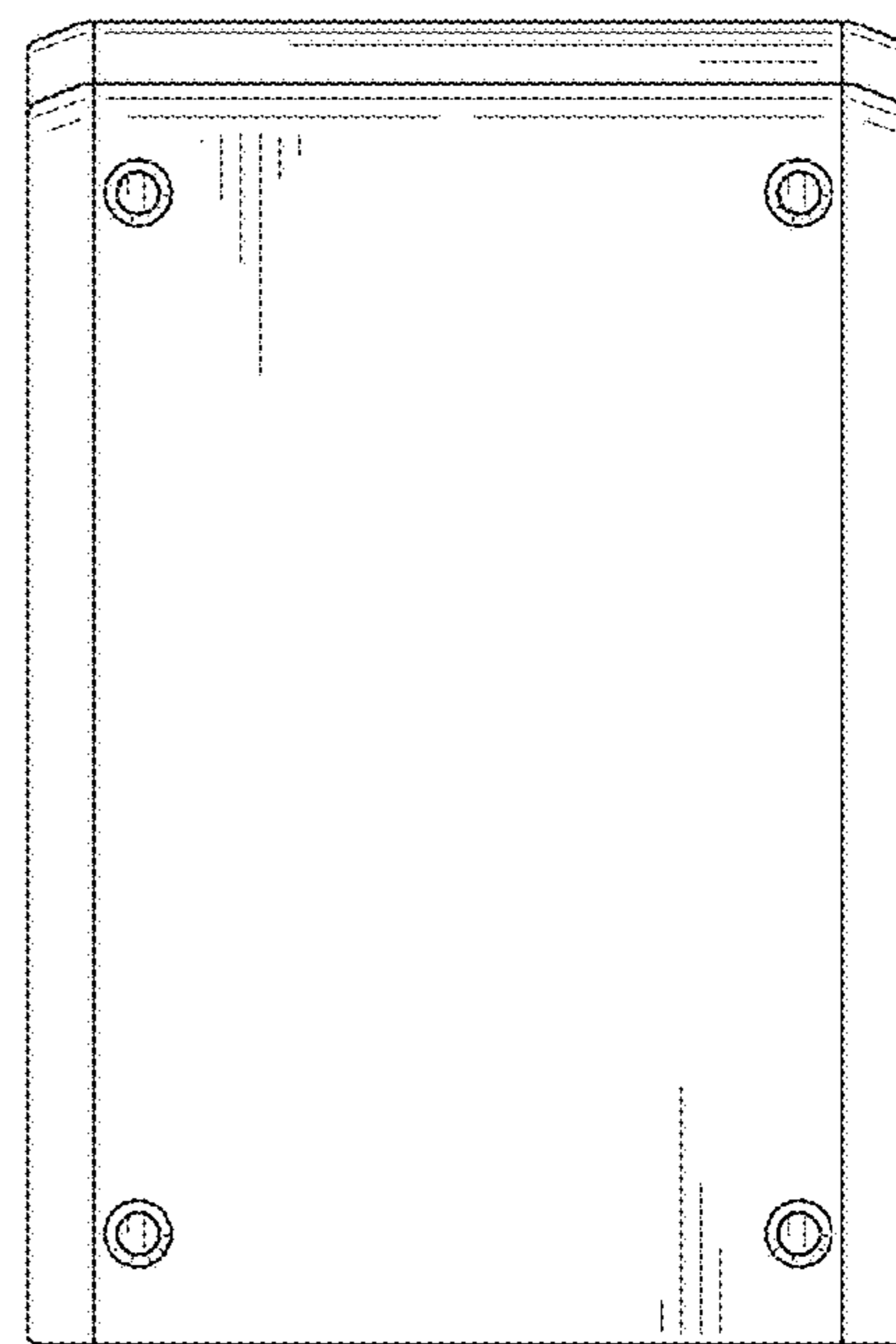


FIG. 5

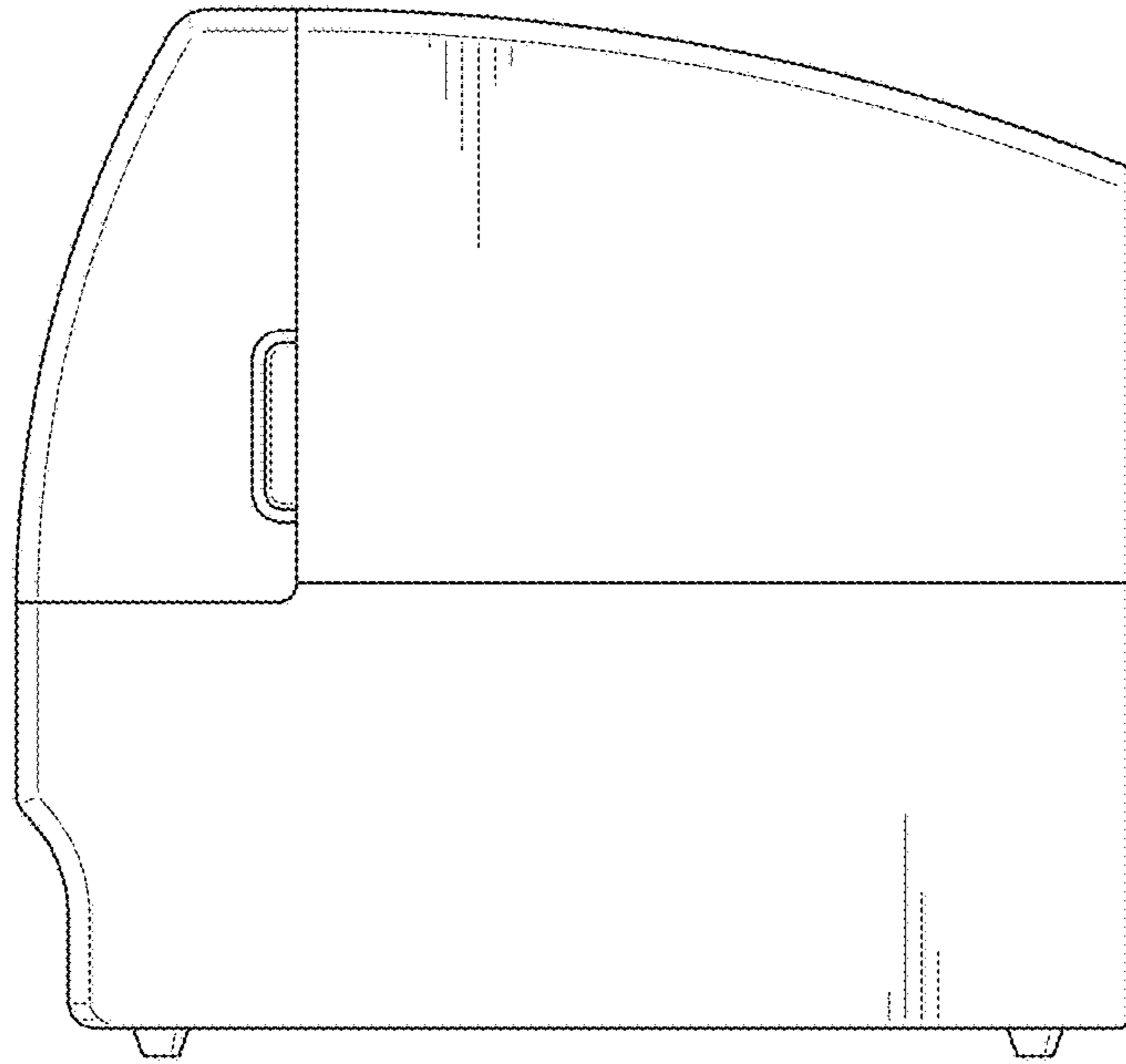


FIG. 6

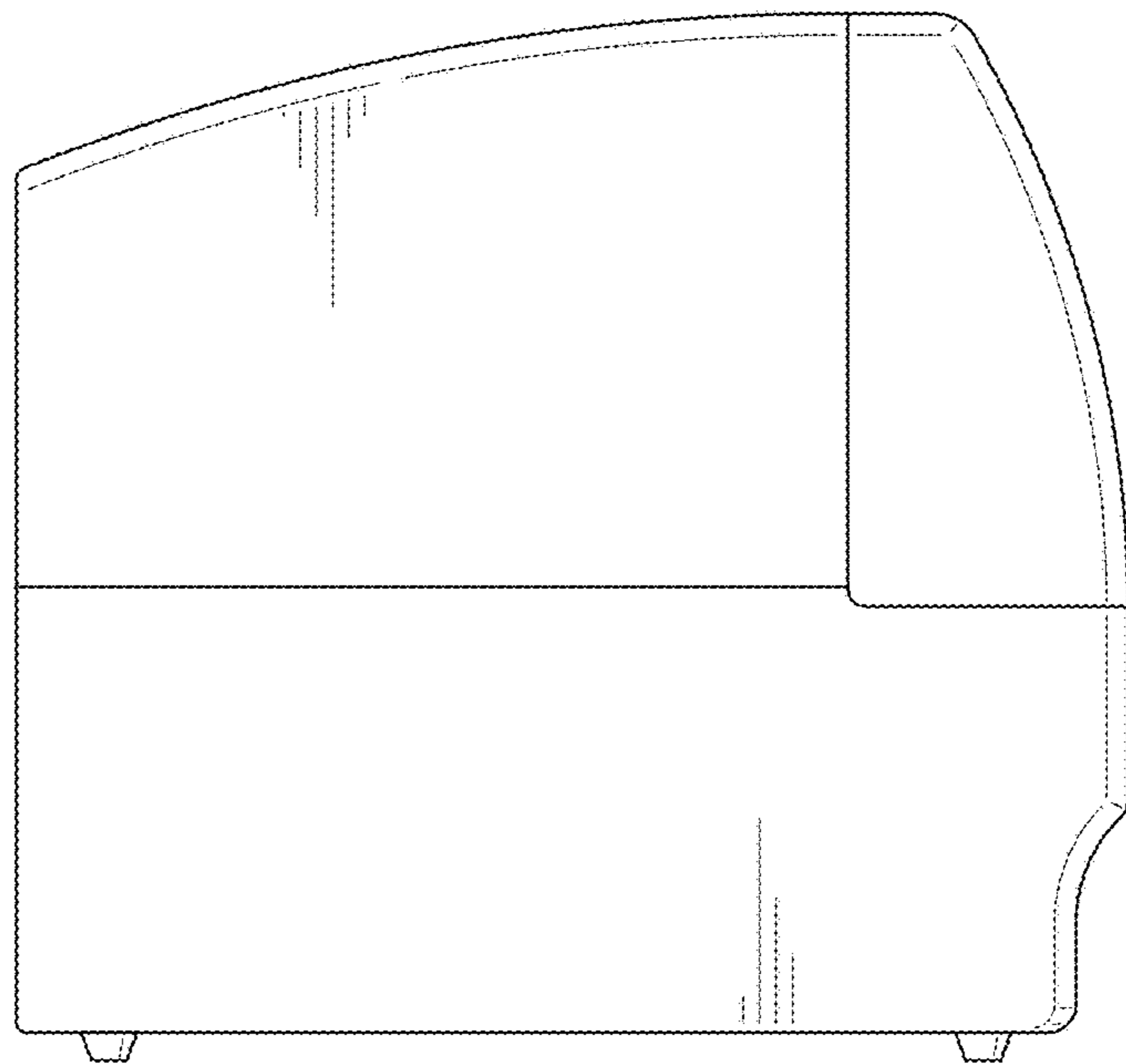


FIG. 7

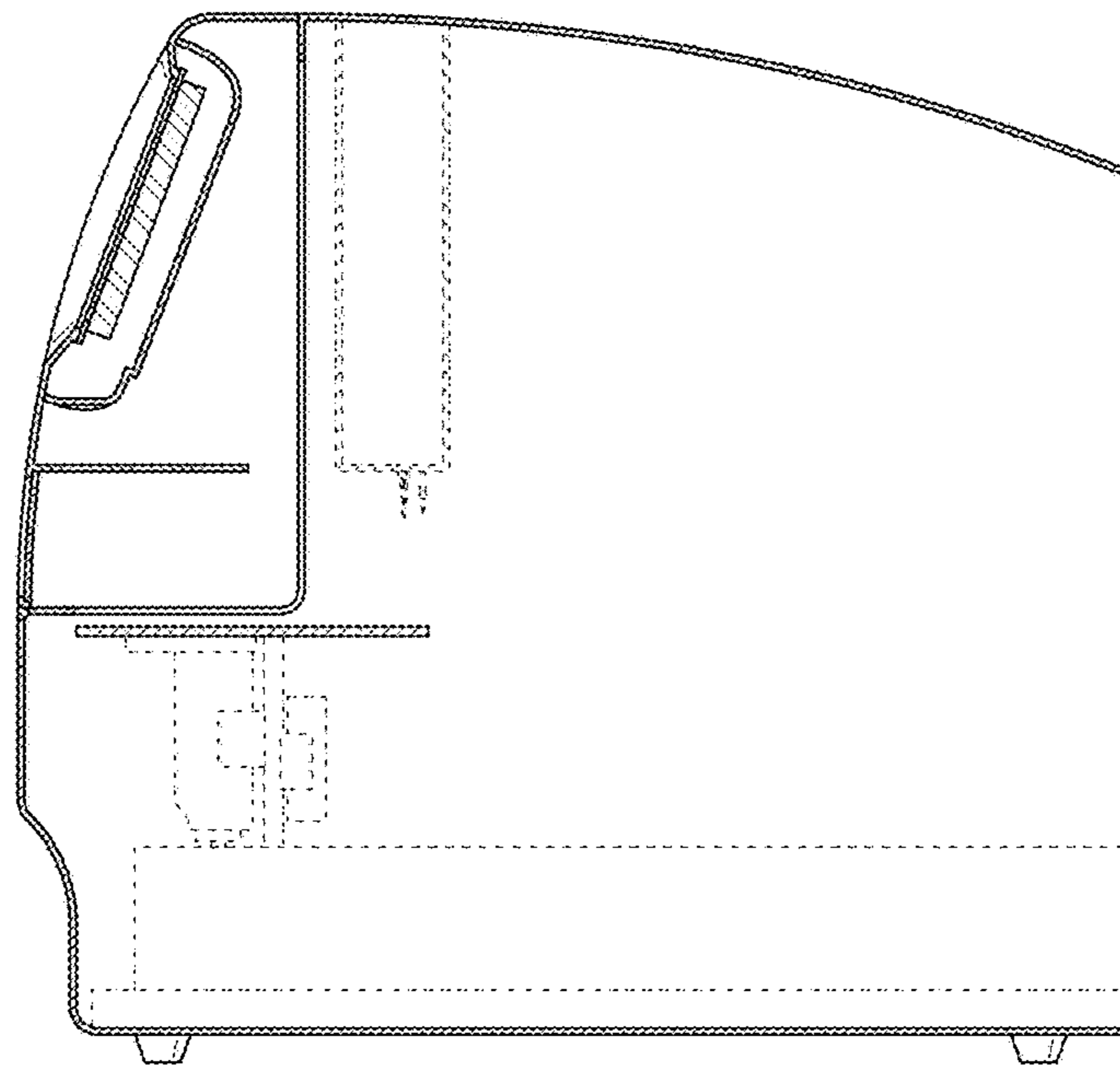


FIG. 8

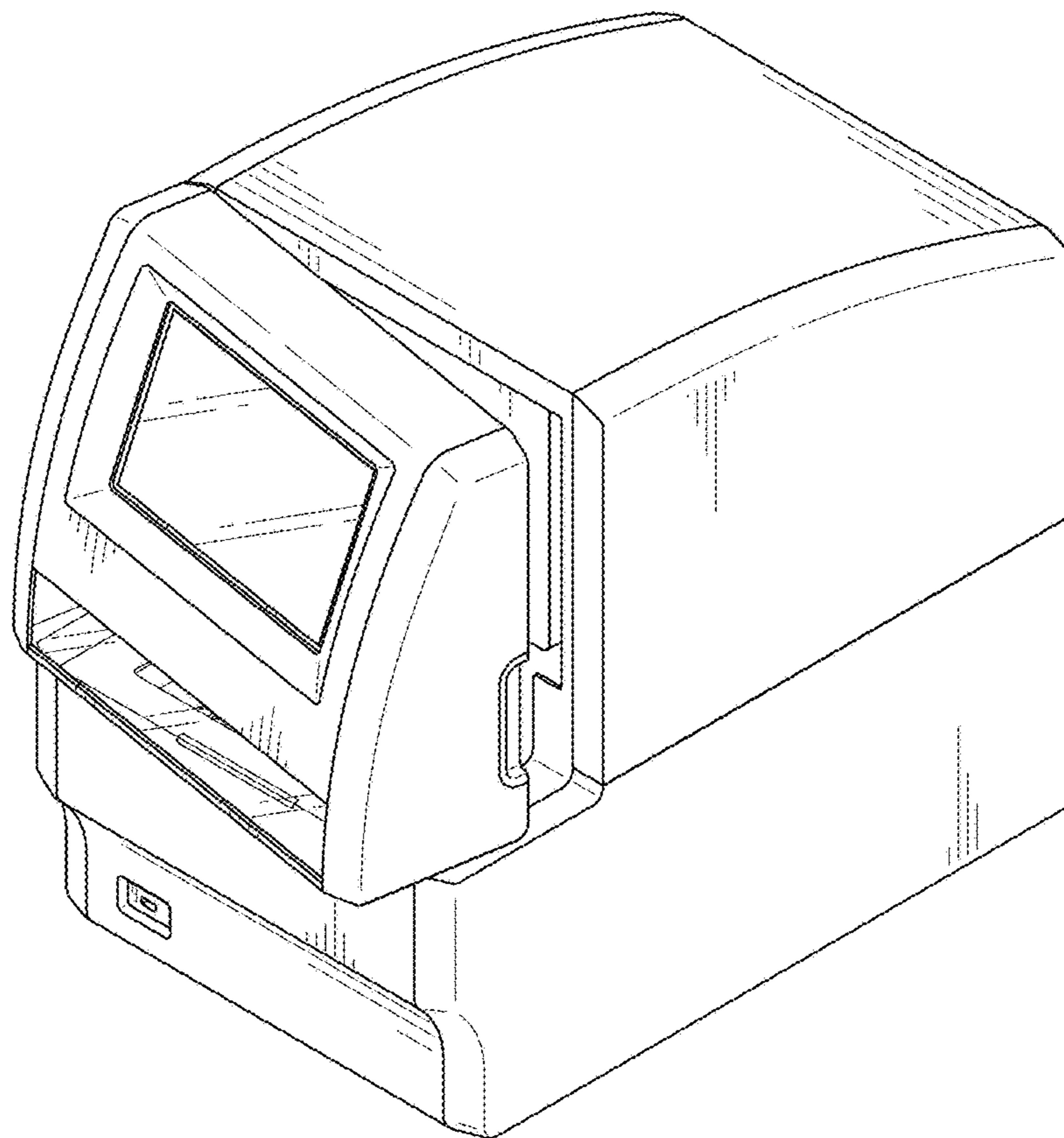


FIG. 9