



US00D835292S

(12) **United States Design Patent** (10) **Patent No.:** **US D835,292 S**
Luzon et al. (45) **Date of Patent:** **** Dec. 4, 2018**

(54) **CARTRIDGE ASSEMBLY**

(56) **References Cited**

(71) Applicant: **Derma Dream Group Ltd.**, Tortola (VG)

U.S. PATENT DOCUMENTS

(72) Inventors: **Josef Luzon**, Bet Yehoshua (IL);
Martin Gurovich, Tel Aviv (IL)

D367,325	S	*	2/1996	Duggan	D24/121
D678,783	S	*	3/2013	Wilcox	D24/119
D717,438	S	*	11/2014	Lin	D24/216
D745,681	S	*	12/2015	Wangler	D24/172
D770,637	S	*	11/2016	Pansare	D24/224
2013/0204178	A1	*	8/2013	Luzon	A61N 1/044 604/20

(73) Assignee: **DERMA DREAM GROUP LTD.**, Tortola (VG)

* cited by examiner

(**) Term: **15 Years**

Primary Examiner — Anhdao Doan

(21) Appl. No.: **29/556,483**

(74) *Attorney, Agent, or Firm* — Dorsey & Whitney LLP

(22) Filed: **Mar. 1, 2016**

(57) **CLAIM**

The ornamental design for a cartridge assembly, as shown and described.

(30) **Foreign Application Priority Data**

DESCRIPTION

Sep. 3, 2015 (EM) 002765347-0001

(51) **LOC (11) Cl.** **24-01**

FIG. 1 is a top, back, left side perspective view of the cartridge assembly;

(52) **U.S. Cl.**

FIG. 2 is a left side elevational view thereof;

USPC **D24/216**; D24/224; D24/117

FIG. 3 is a right side elevational view thereof;

(58) **Field of Classification Search**

FIG. 4 is a front elevational view thereof;

USPC D24/108, 117, 119, 121, 216, 219–221,
D24/224–233, 200, 215; D10/81;
D09/523

FIG. 5 is a back elevational view thereof;

CPC .. B01L 3/502715; B01L 3/508; B01L 3/5085;
B01L 3/50855; B01L 3/52; B01L 3/523;
B01L 3/527; B01L 2200/16; B01L
2200/18

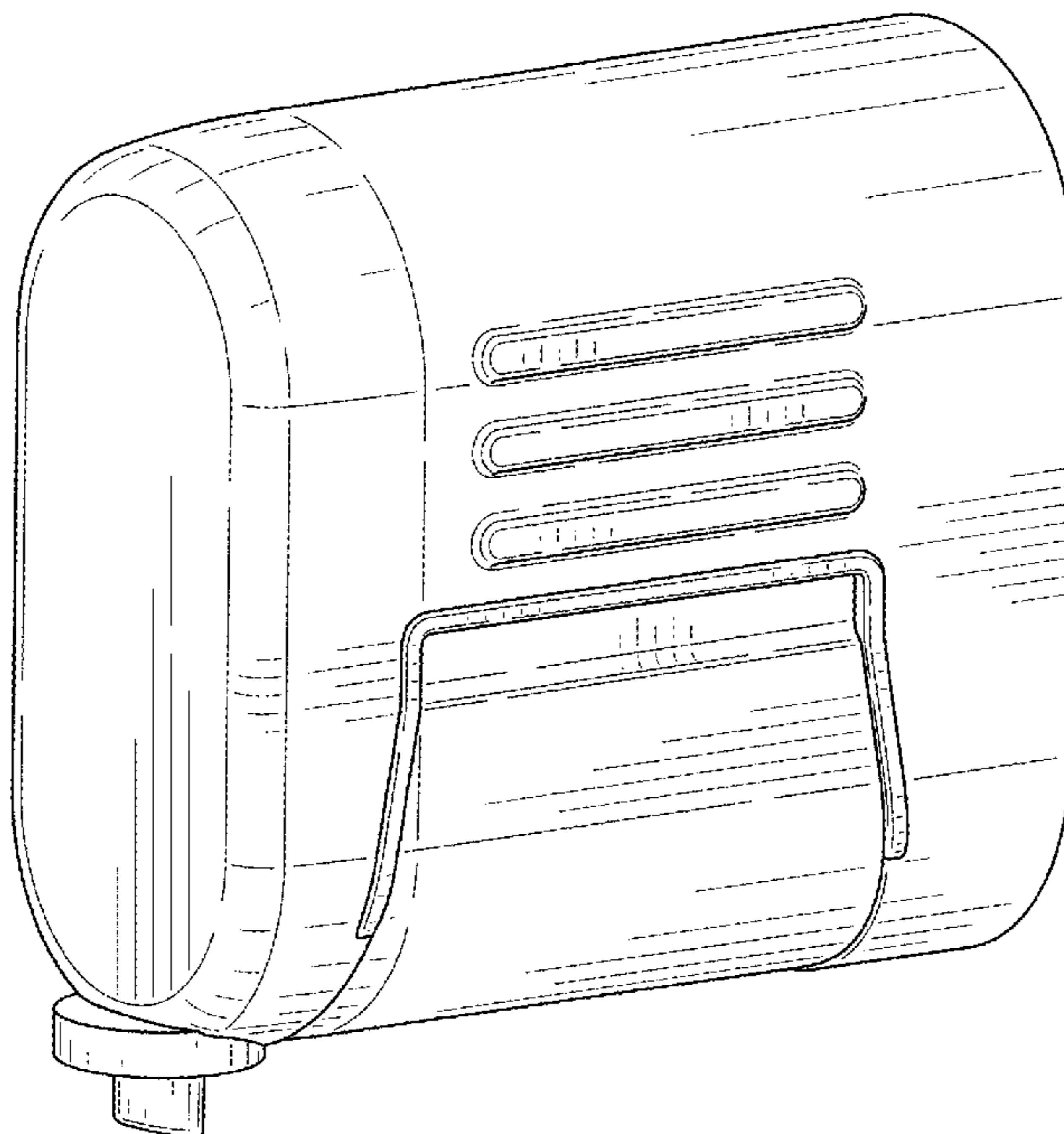
FIG. 6 is a top plan view thereof, and,

FIG. 7 is a bottom plan view thereof.

The broken lines in the drawings show structures that form no part of the claimed design and are included for illustrative purposes only.

See application file for complete search history.

1 Claim, 4 Drawing Sheets



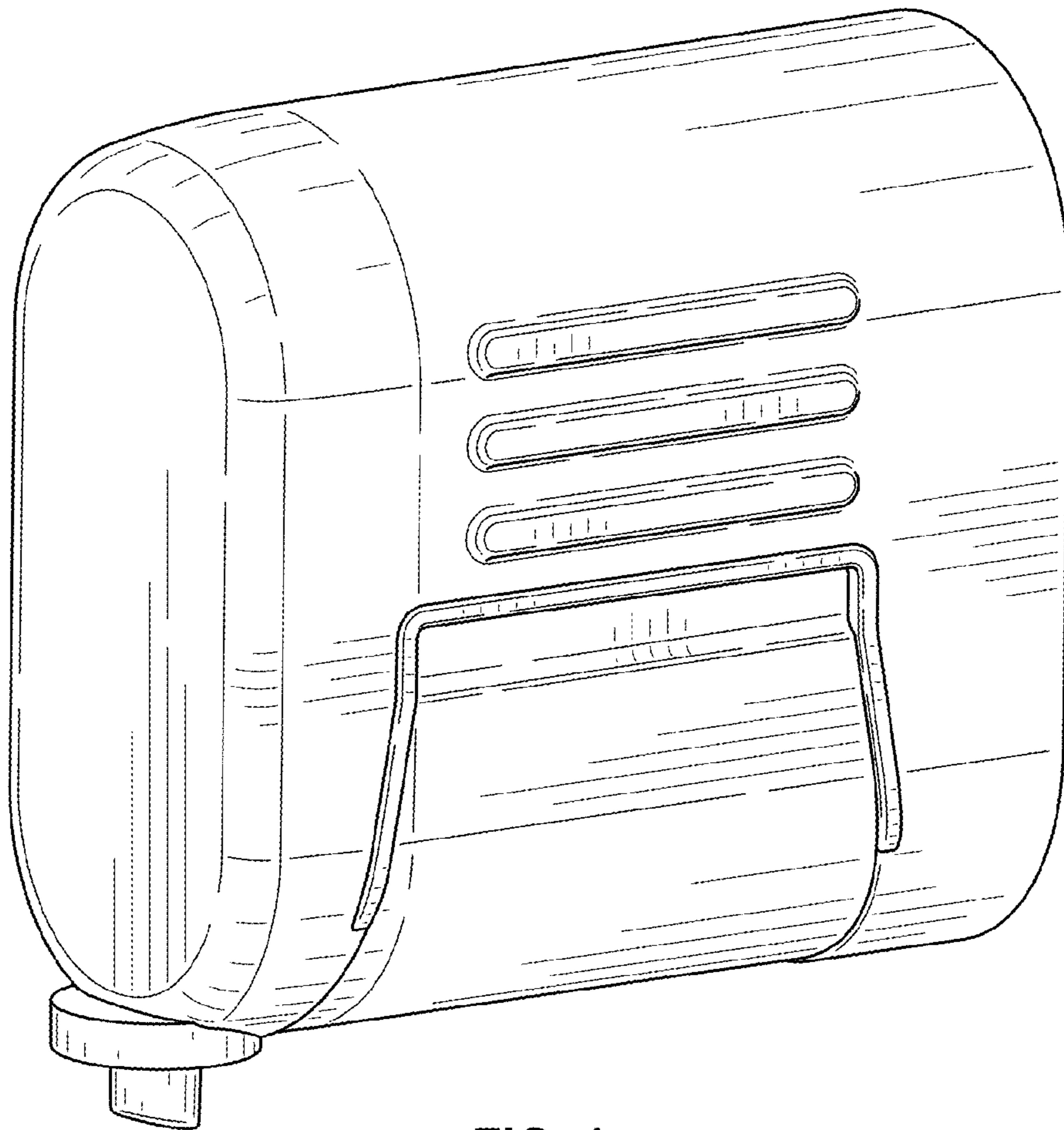


FIG. 1

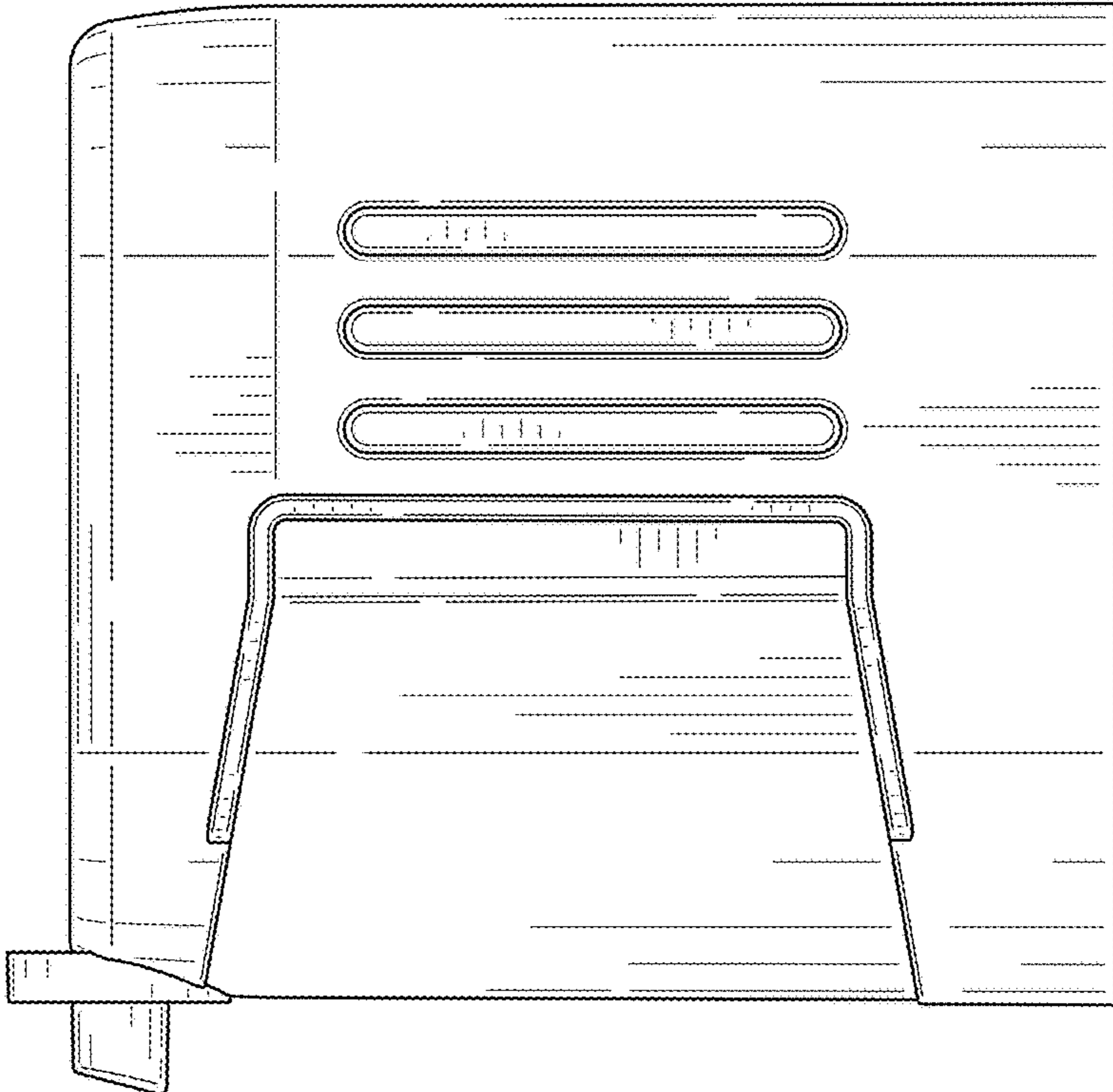


FIG. 2

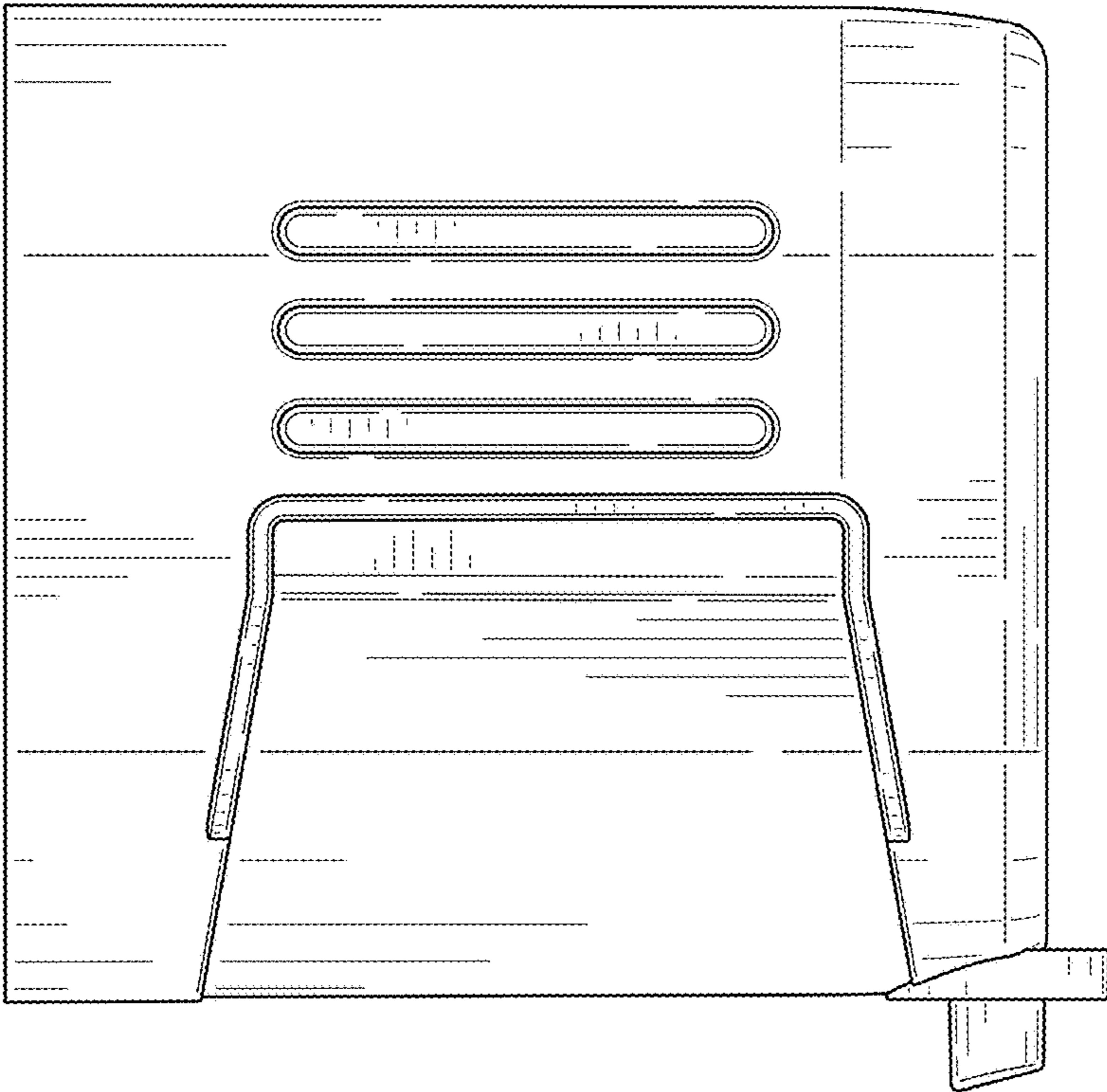


FIG. 3

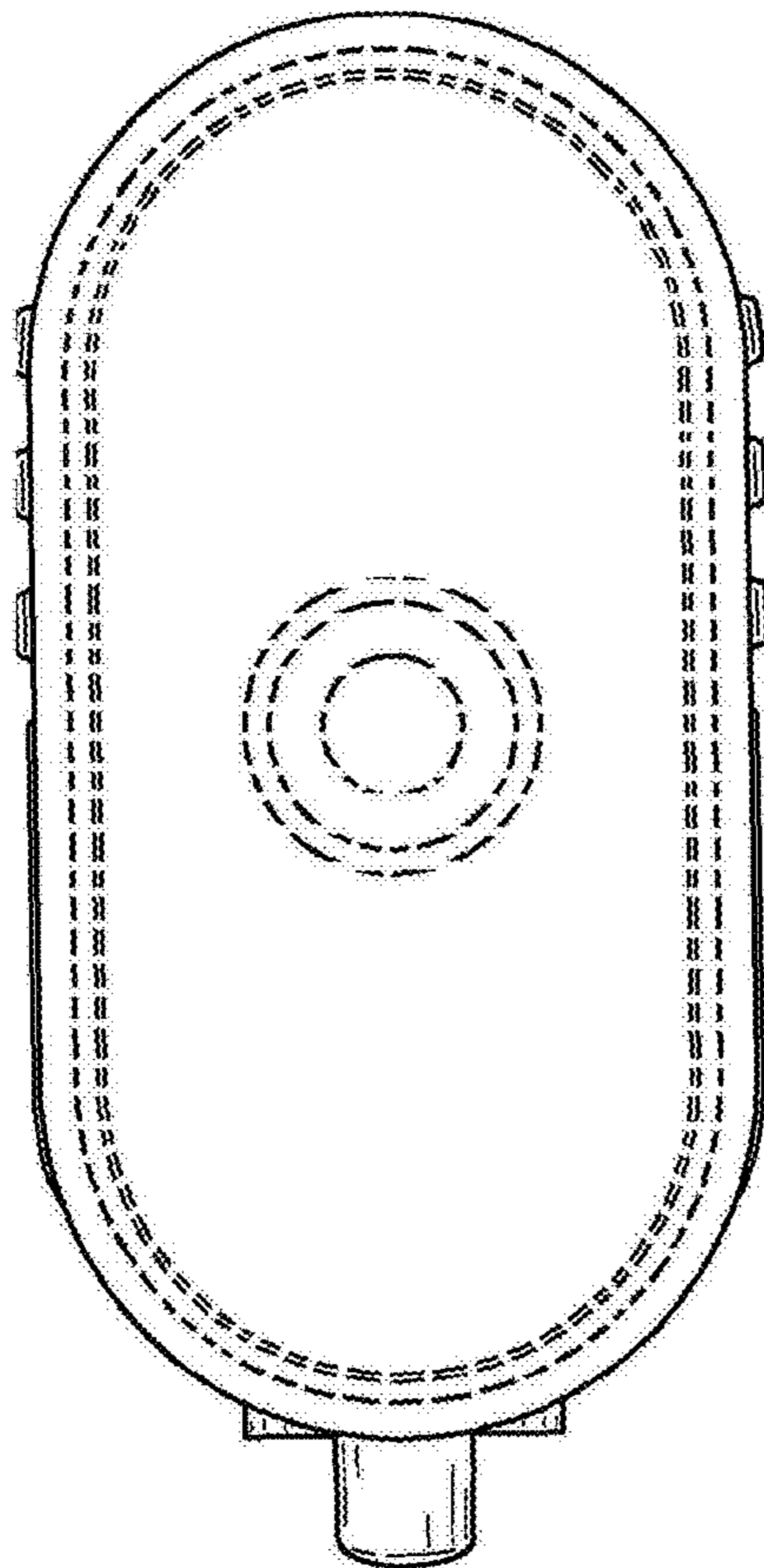


FIG. 4

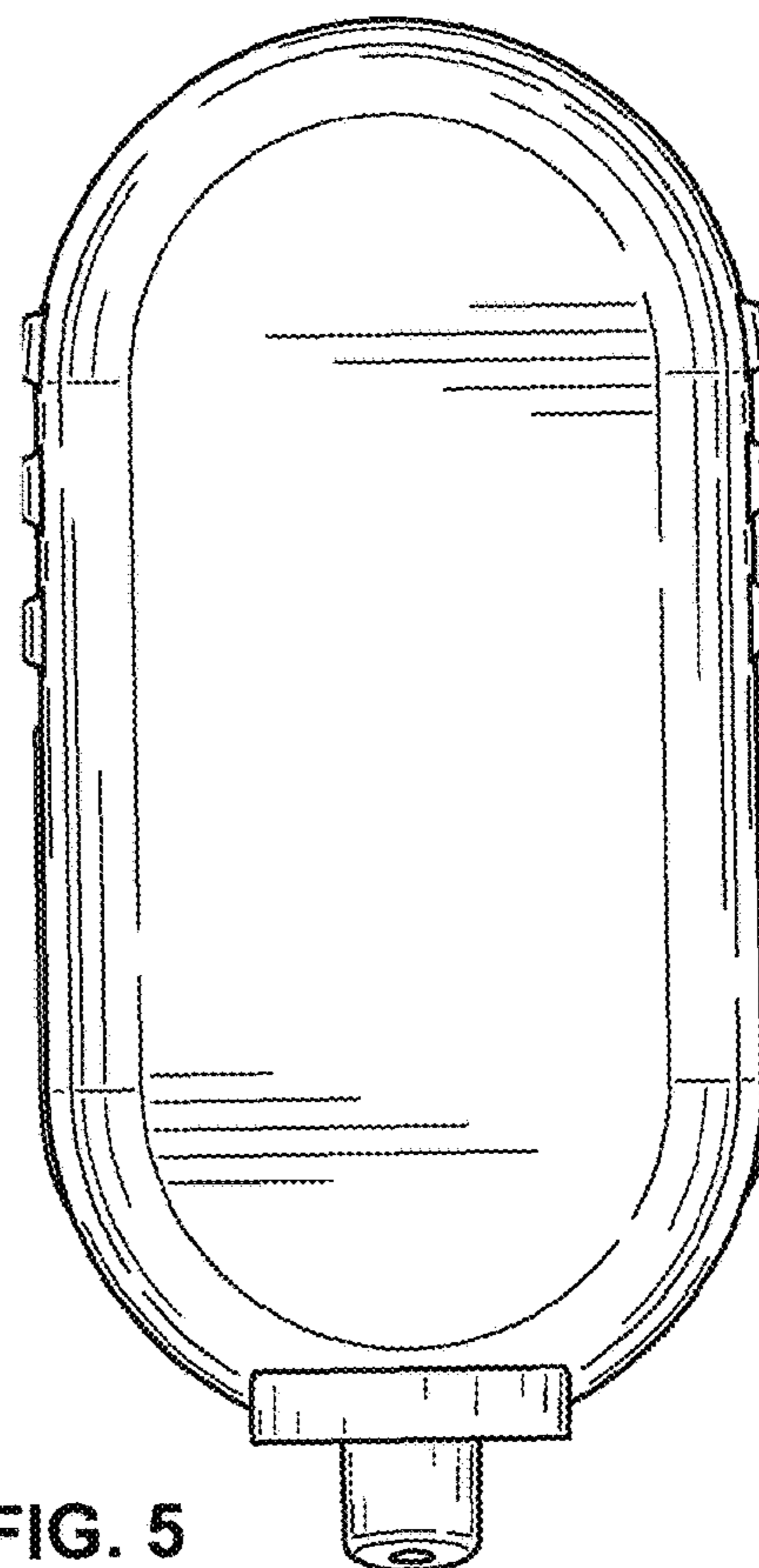


FIG. 5



FIG. 6

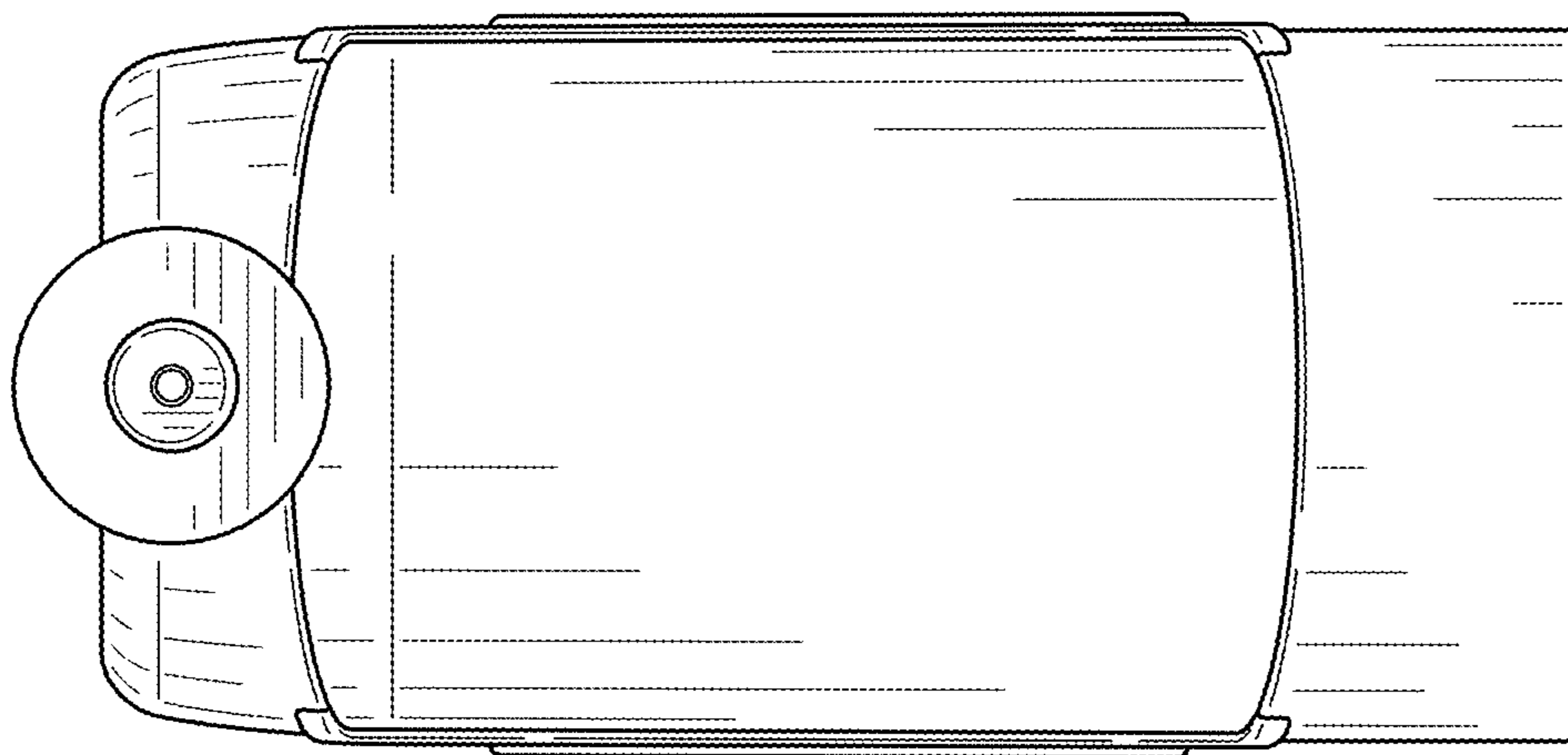


FIG. 7