



US00D835291S

(12) **United States Design Patent**
Lei

(10) **Patent No.:** **US D835,291 S**

(45) **Date of Patent:** **** *Dec. 4, 2018**

(54) **RADIOFREQUENCY TREATMENT APPARATUS**

(71) Applicant: **Shenzhen Peninsula Medical Co., Ltd.**, Shenzhen (CN)

(72) Inventor: **Xiaobing Lei**, Shenzhen (CN)

(73) Assignee: **Shenzhen Peninsula Medical Co., Ltd.**, Shenzhen (CN)

(*) Notice: This patent is subject to a terminal disclaimer.

(**) Term: **15 Years**

(21) Appl. No.: **29/578,204**

(22) Filed: **Sep. 20, 2016**

(30) **Foreign Application Priority Data**

Jun. 8, 2016 (CN) 2016 3 0230105

(51) **LOC (11) Cl.** **24-01**

(52) **U.S. Cl.**
USPC **D24/209**

(58) **Field of Classification Search**
USPC D24/107, 158, 160, 186, 200, 206, 209,
D24/210; D28/44.1
CPC A61N 5/06; A61N 5/0616; A61N 5/0617;
A61N 2005/0626; A61N 2005/0627;
A61N 2005/0644
See application file for complete search history.

(56) **References Cited**

U.S. PATENT DOCUMENTS

D480,480 S * 10/2003 Lomborg D24/209
6,875,225 B1 * 4/2005 Pederson A61N 5/0618
607/88

D510,627 S * 10/2005 Lomborg D24/209
D545,973 S * 7/2007 Powell D24/209
D611,160 S * 3/2010 Fernie D24/209
D641,490 S * 7/2011 Fernie D24/210
D728,776 S * 5/2015 Rogers D24/107
D757,955 S * 5/2016 Johnson D24/209

* cited by examiner

Primary Examiner — Anhdao Doan

(74) *Attorney, Agent, or Firm* — Syncoda LLC; Feng Ma; Junjie Feng

(57) **CLAIM**

The ornamental design for a radiofrequency treatment apparatus, substantially as shown and described.

DESCRIPTION

FIG. 1 is a front view of a radiofrequency treatment apparatus;

FIG. 2 is a rear view of the radiofrequency treatment apparatus;

FIG. 3 is a left side view of the radiofrequency treatment apparatus;

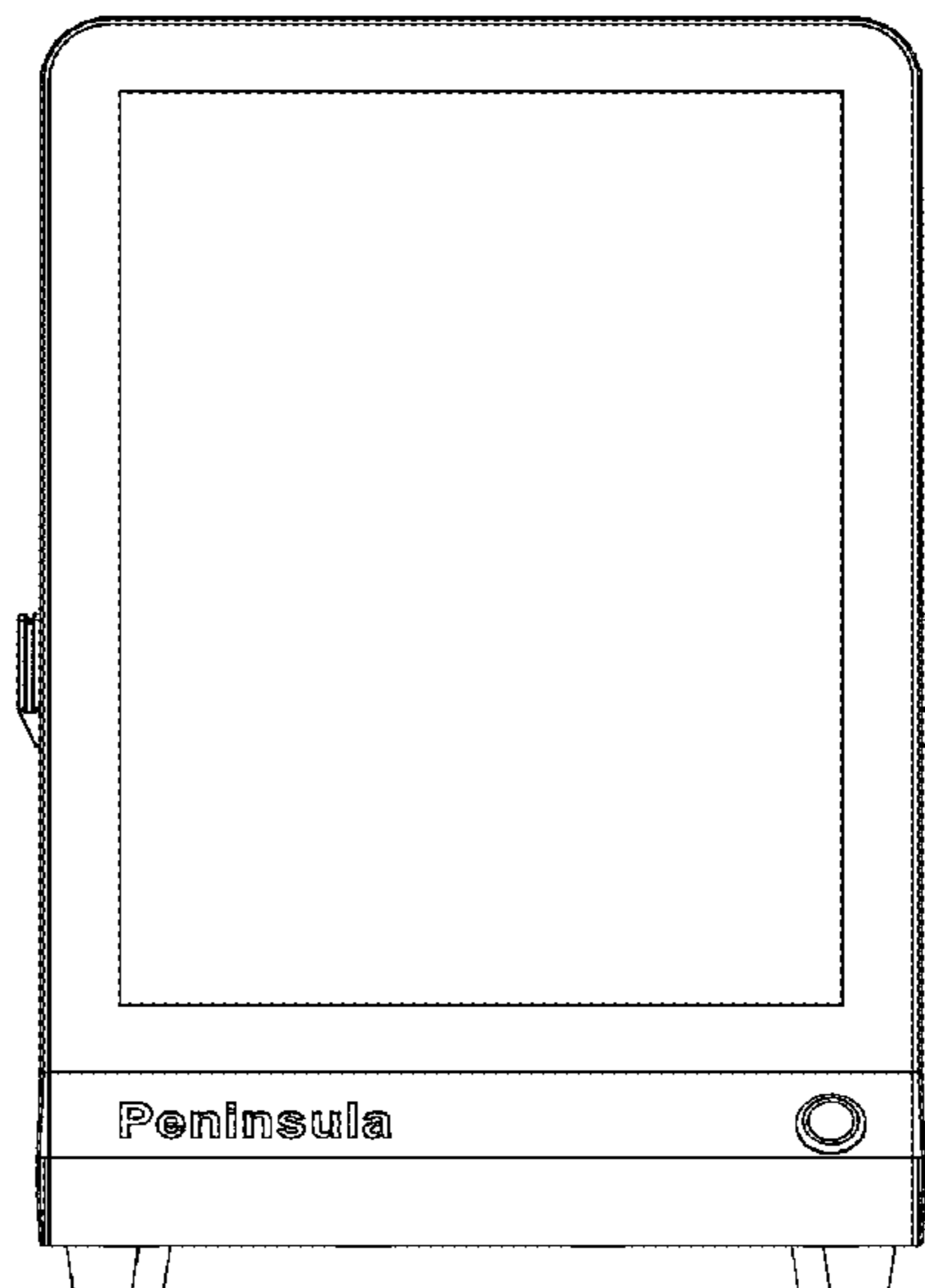
FIG. 4 is a right side view of the radiofrequency treatment apparatus;

FIG. 5 is a top view of the radiofrequency treatment apparatus; and,

FIG. 6 is a bottom view of the radiofrequency treatment apparatus.

The broken lines immediately adjacent the shaded areas represent the bounds of the claim, while all other broken lines are directed to environment and are for illustrative purposes only; the broken lines form no part of the claimed design.

1 Claim, 6 Drawing Sheets



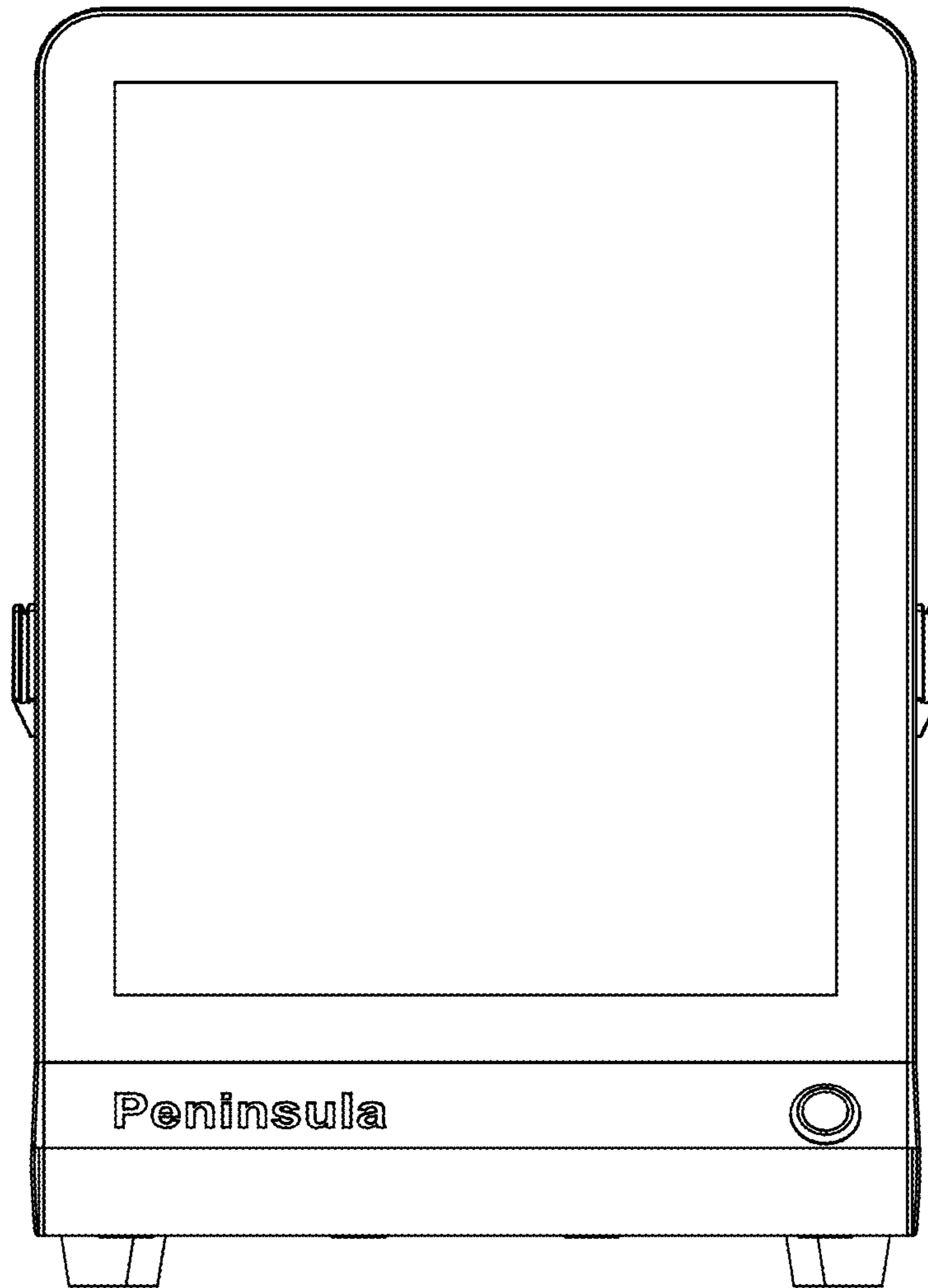


FIG. 1

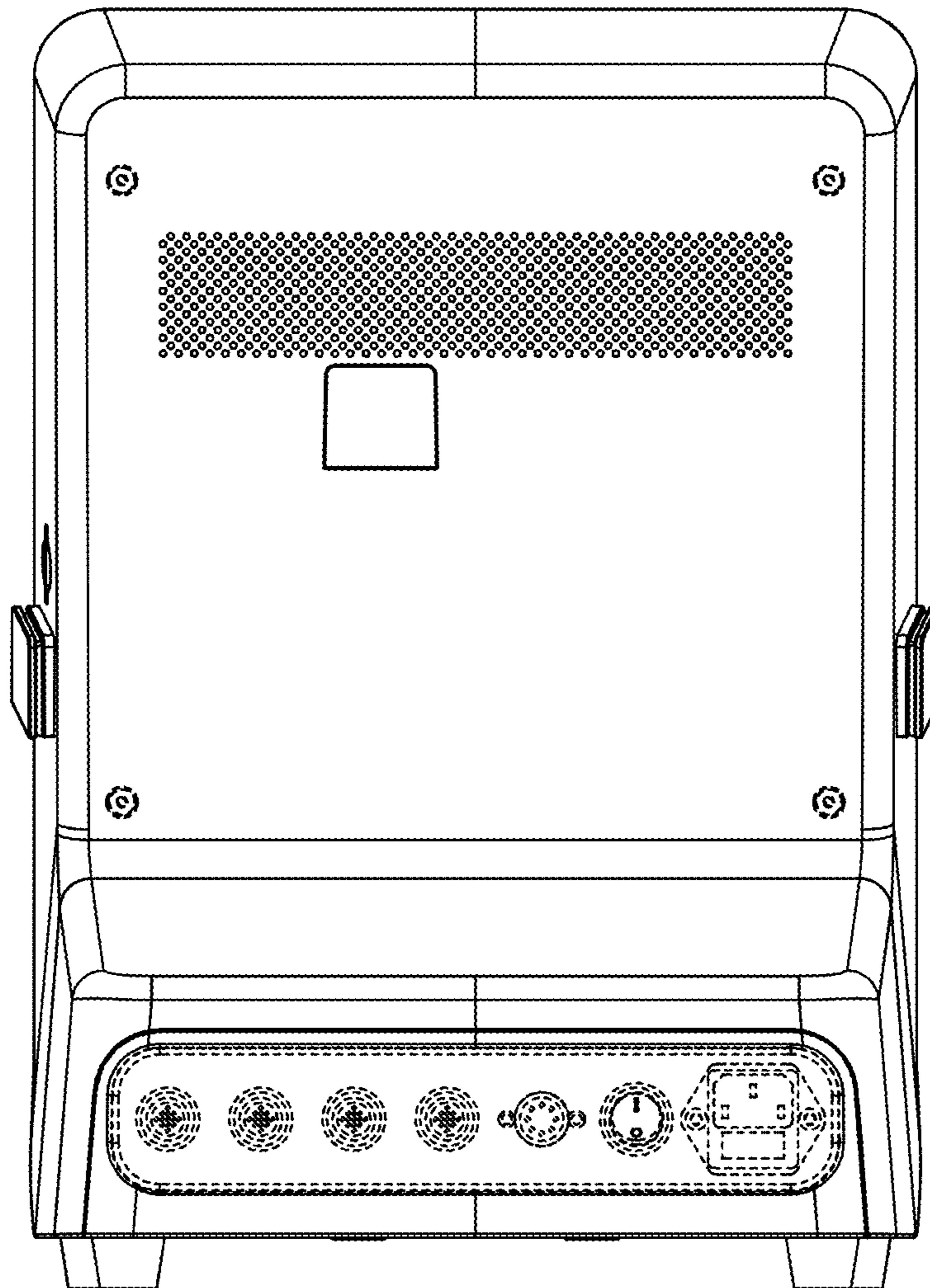


FIG. 2

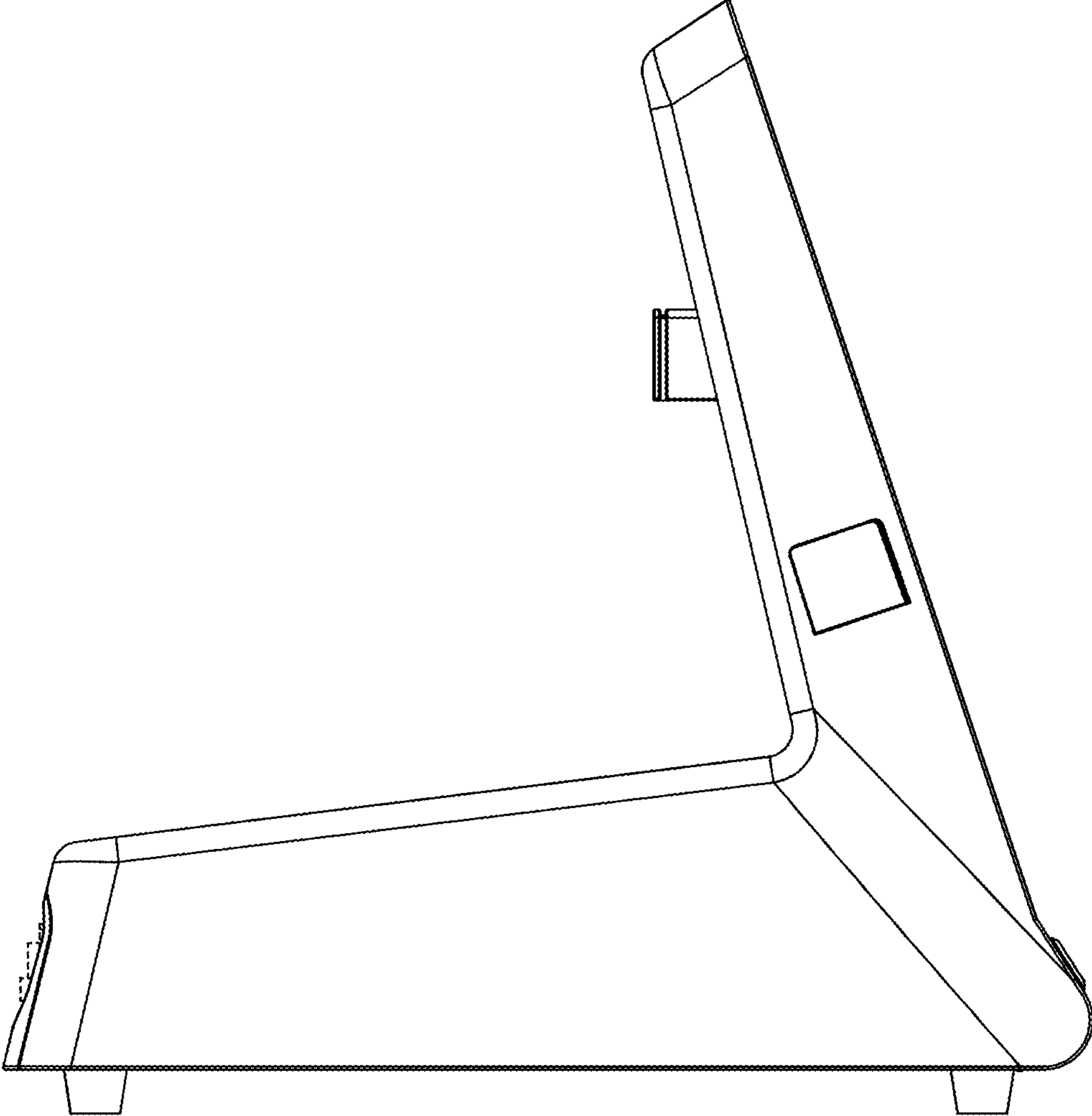


FIG. 3

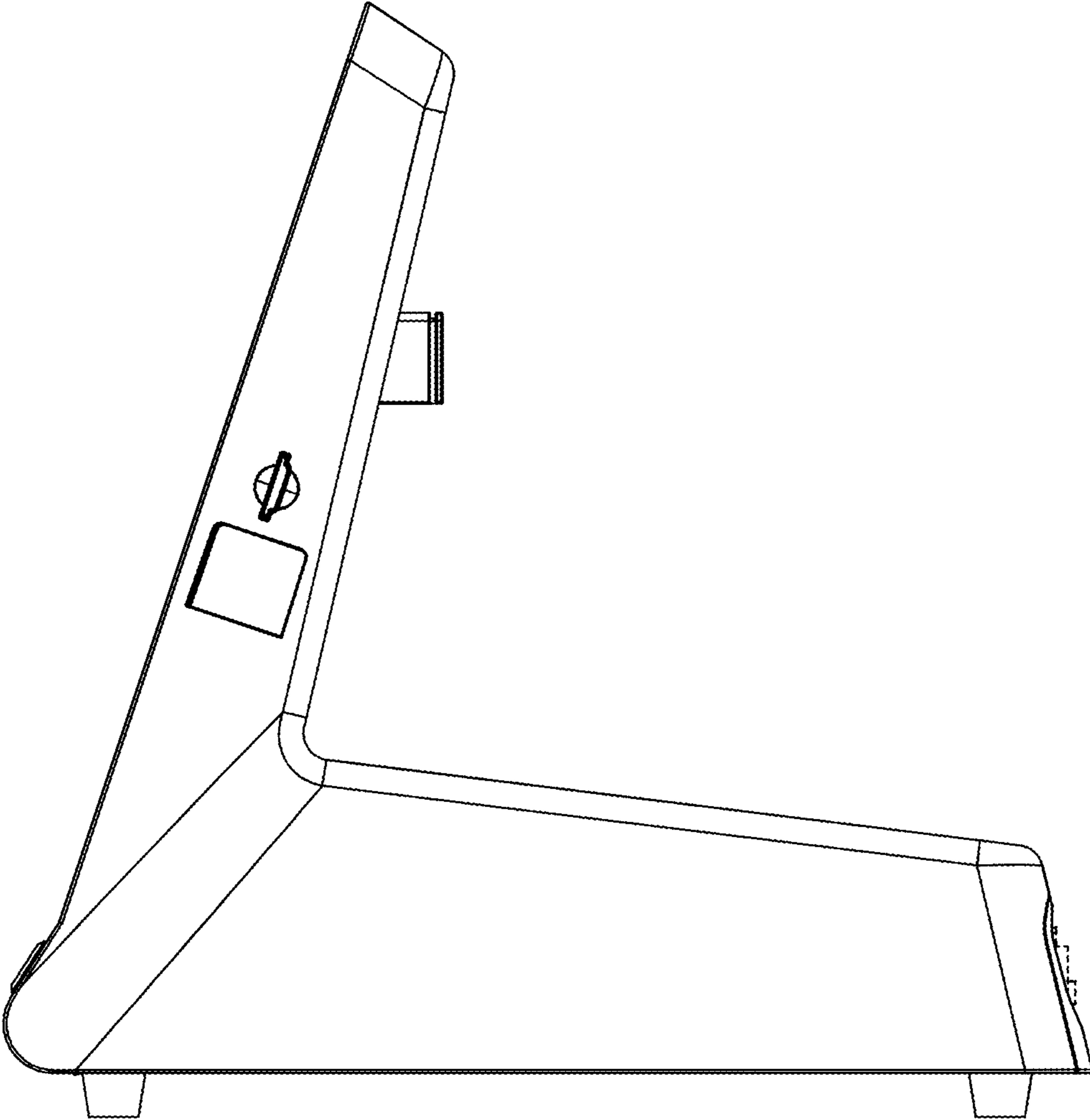


FIG. 4

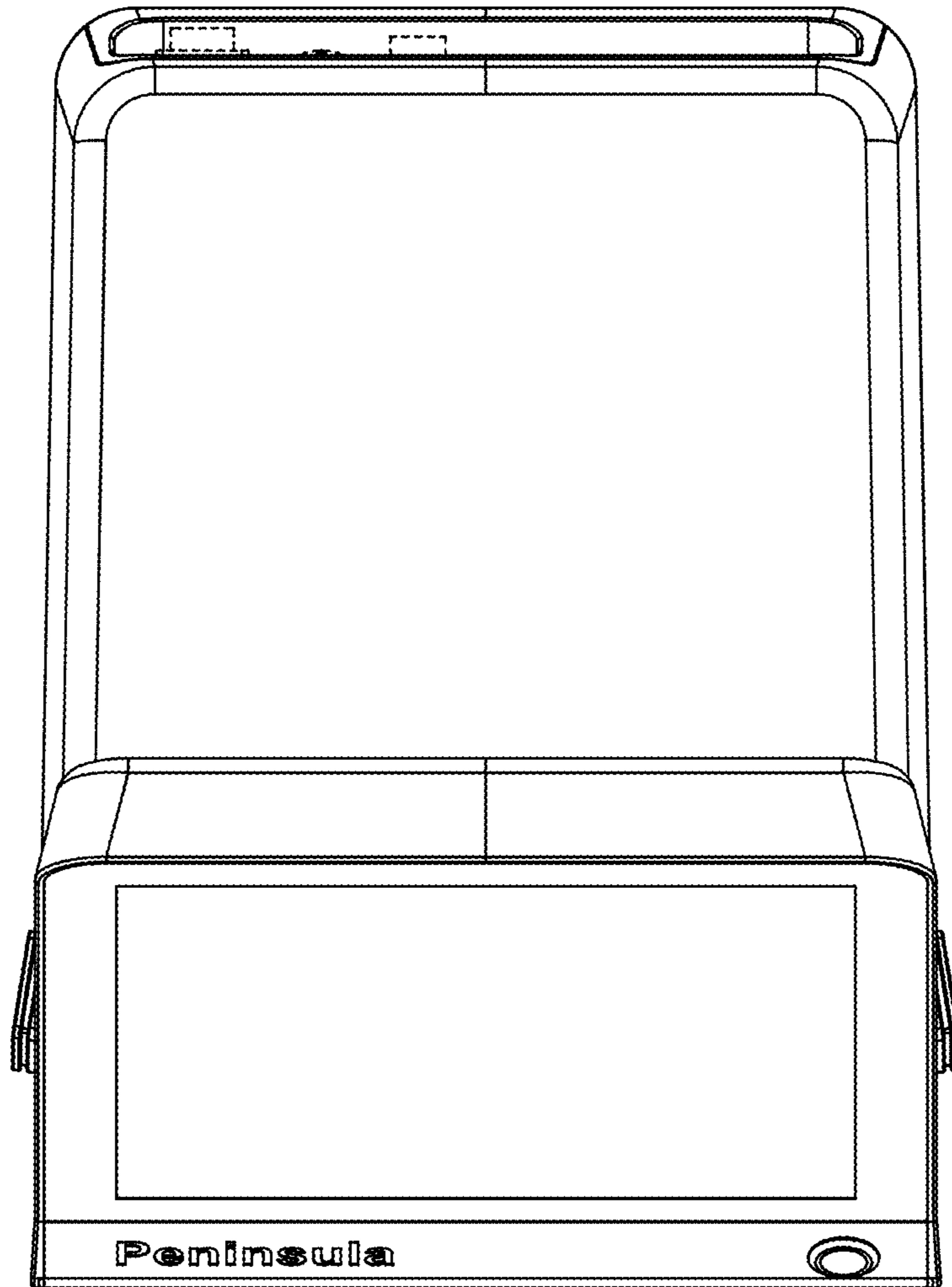


FIG. 5

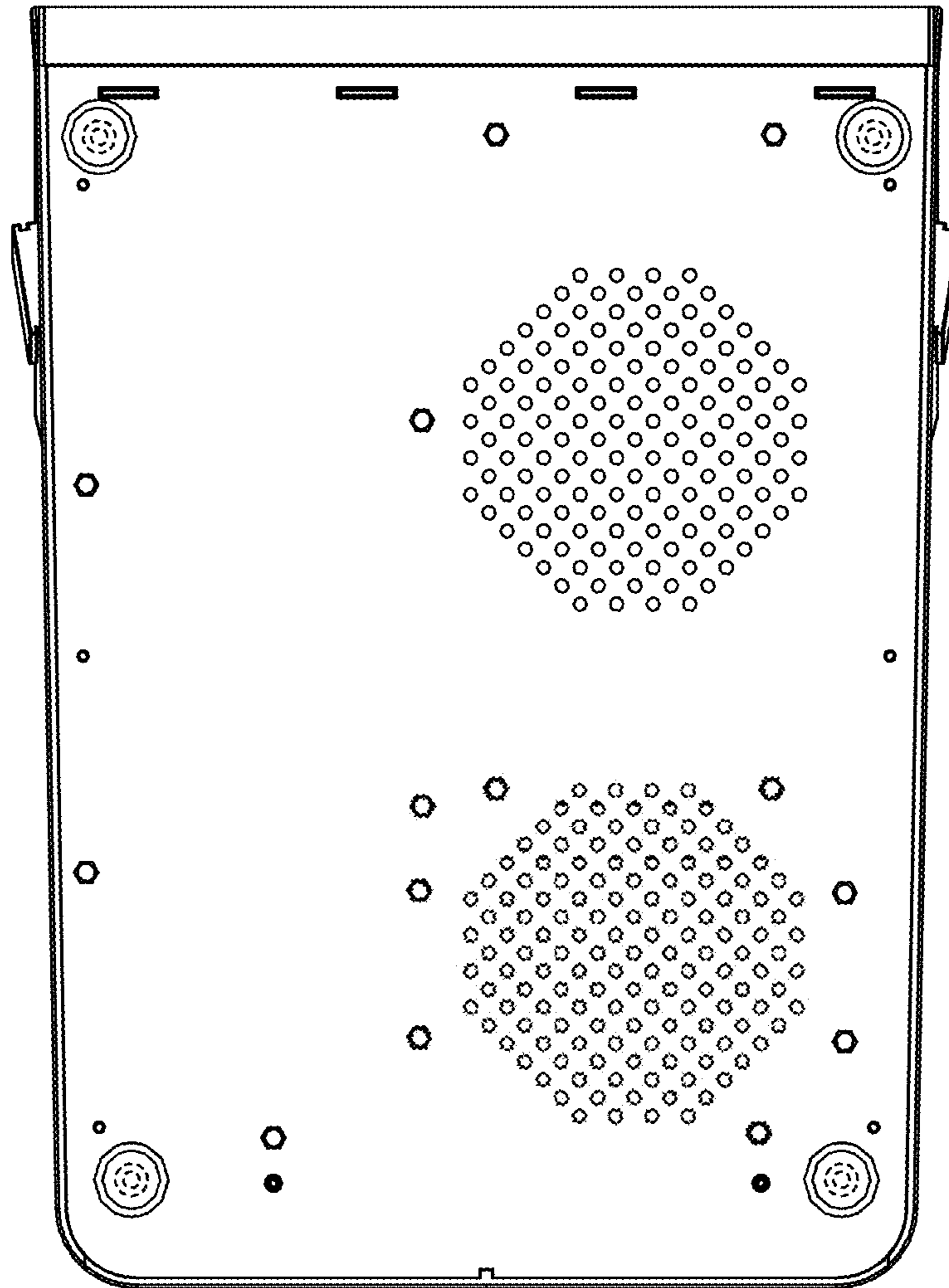


FIG. 6