



US00D835290S

(12) **United States Design Patent**  
**Galvin et al.**

(10) **Patent No.:** **US D835,290 S**

(45) **Date of Patent:** **\*\* Dec. 4, 2018**

(54) **MEDICAL OXYGEN CONCENTRATOR**

(71) Applicant: **GCE HOLDING AB**, Malmö (SE)

(72) Inventors: **Fred Galvin**, Sudbury (GB); **Mike Galvin**, Sale (GB); **Christopher Phillips**, Lymm (GB); **Donald Oleforo**, Manchester (GB); **Gareth Pemberton**, Worcester (GB)

(\*\*) Term: **15 Years**

(21) Appl. No.: **35/503,537**

(22) Filed: **Jul. 21, 2017**

(80) **Hague Agreement Data**

Int. Filing Date: **Jul. 21, 2017**  
Int. Reg. No.: **DM/097201**  
Int. Reg. Date: **Jul. 21, 2017**  
Int. Reg. Pub. Date: **Aug. 18, 2017**

(51) **LOC (11) Cl.** ..... **28-03**

(52) **U.S. Cl.**  
USPC ..... **D24/201**

(58) **Field of Classification Search**  
USPC ..... D24/201, 164; D14/441; D13/103;  
128/204.18; 96/117; 417/269  
CPC ..... B01D 53/04; B01D 53/0407  
See application file for complete search history.

(56) **References Cited**

**U.S. PATENT DOCUMENTS**

D261,676 S \* 11/1981 McCombs ..... D24/164  
D273,717 S \* 5/1984 McCombs ..... D24/164  
D275,045 S \* 8/1984 McCombs ..... D24/164  
4,502,873 A \* 3/1985 Mottram ..... B01D 53/04  
417/269  
4,545,790 A \* 10/1985 Miller ..... B01D 53/04  
96/117  
D284,026 S \* 5/1986 McCombs ..... D24/164

D284,695 S \* 7/1986 McCombs ..... D24/164  
4,826,510 A \* 5/1989 McCombs ..... B01D 53/0407  
128/204.18  
D320,458 S \* 10/1991 Ryder ..... D24/164  
D329,288 S \* 9/1992 Miller ..... D24/164  
D412,577 S \* 8/1999 Mickelson ..... D24/164  
D471,278 S \* 3/2003 Cheng ..... D24/164  
D471,982 S \* 3/2003 Cheng ..... D24/164  
D490,155 S \* 5/2004 Nakamura ..... D24/164  
D510,438 S \* 10/2005 Kondo ..... D14/441  
D513,074 S \* 12/2005 Nakamura ..... D24/164  
D528,212 S \* 9/2006 Conway ..... D24/164  
D550,360 S \* 9/2007 McCombs ..... D24/164  
D606,655 S \* 12/2009 Wilkinson ..... D24/164  
D607,107 S \* 12/2009 McCombs ..... D24/164  
D642,273 S \* 7/2011 McCombs ..... D24/164  
D693,005 S \* 11/2013 Nawata ..... D24/164  
D700,701 S \* 3/2014 Taylor ..... D24/164  
D706,211 S \* 6/2014 Taylor ..... D13/103  
D749,220 S \* 2/2016 Taylor ..... D24/164

\* cited by examiner

*Primary Examiner* — Rhea Shields

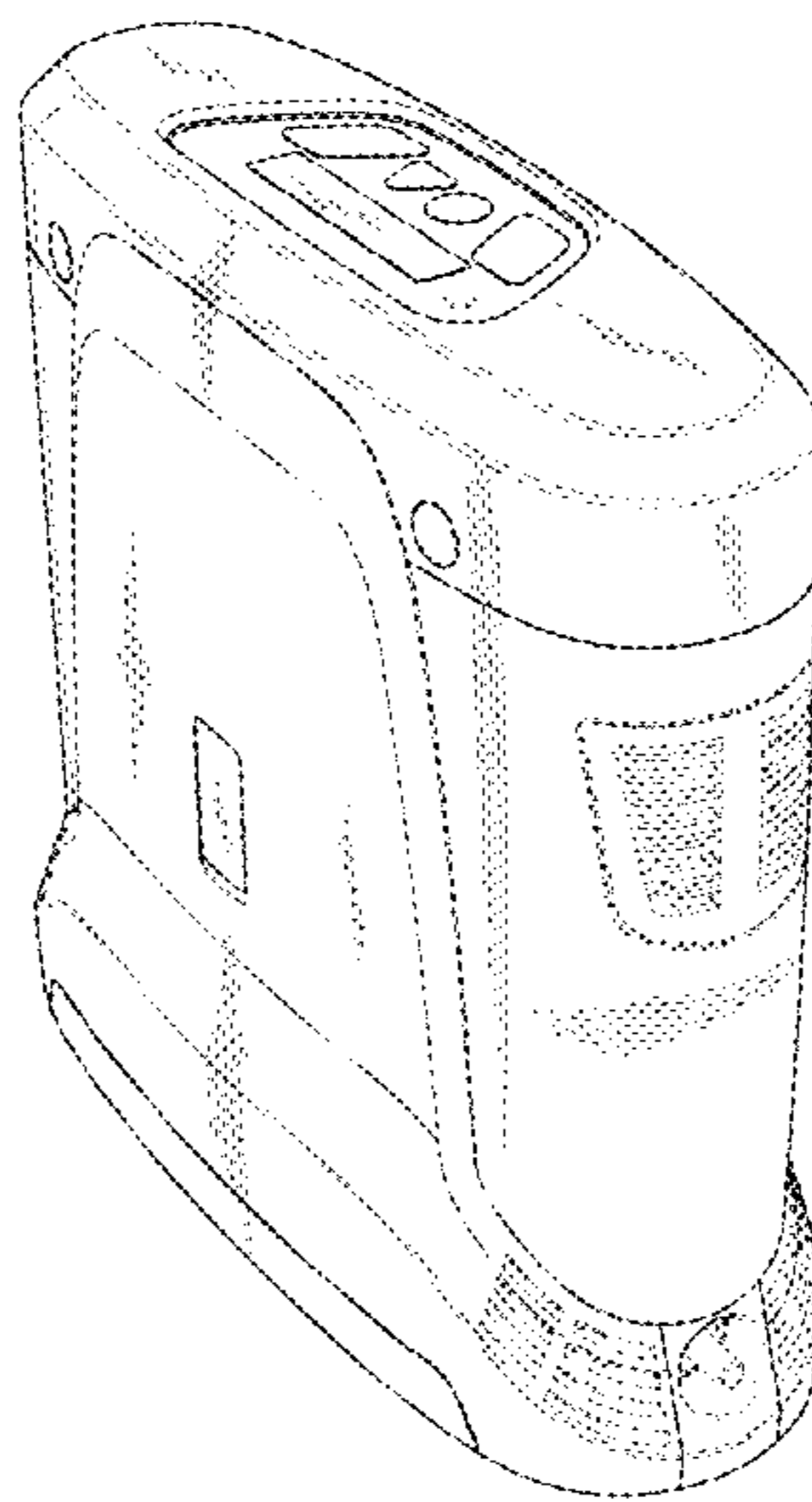
(57) **CLAIM**

The ornamental design for a medical oxygen concentrator, as shown and described.

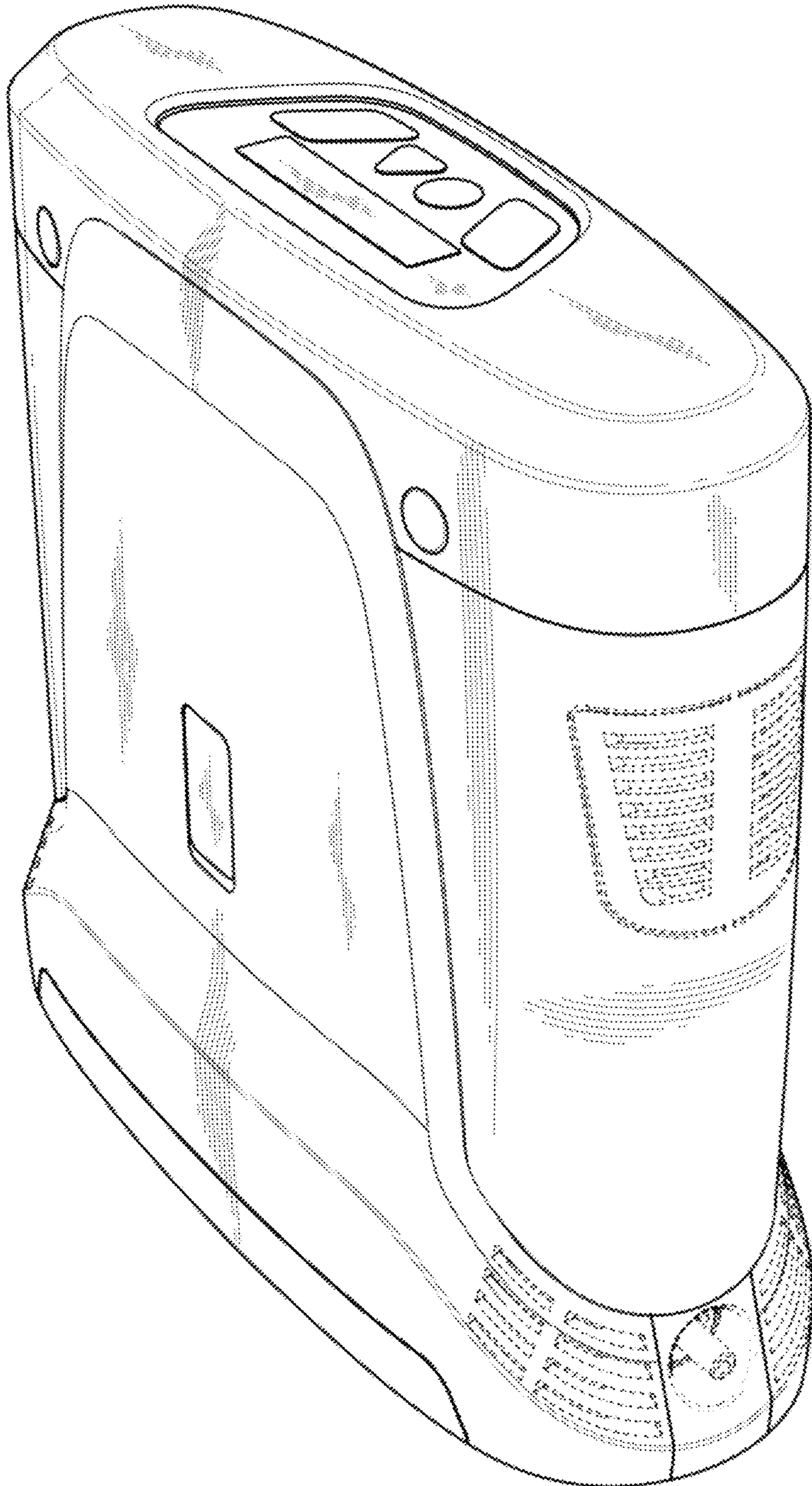
**DESCRIPTION**

- 1.-2. Medical oxygen concentrator
- 1.1 is a perspective view;
- 1.2 is a front view;
- 1.3 is a rear view;
- 1.4 is a top view;
- 1.5 is a side view; and
- 1.6 is another side view.
- 2.1 is a perspective view;
- 2.2 is a front view;
- 2.3 is a rear view;
- 2.4 is a top view;
- 2.5 is a side view; and
- 2.6 is another side view.

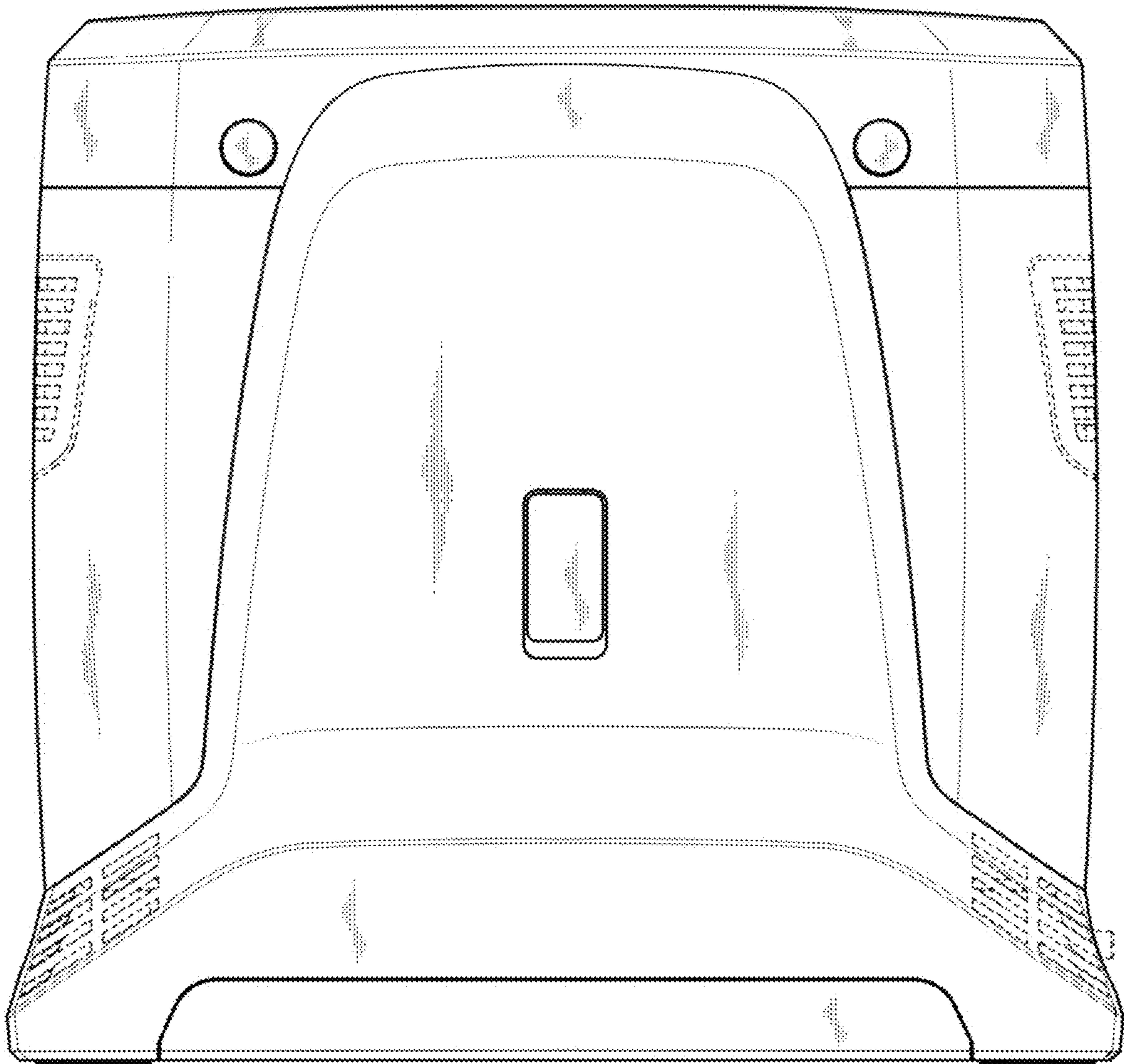
**1 Claim, 12 Drawing Sheets**



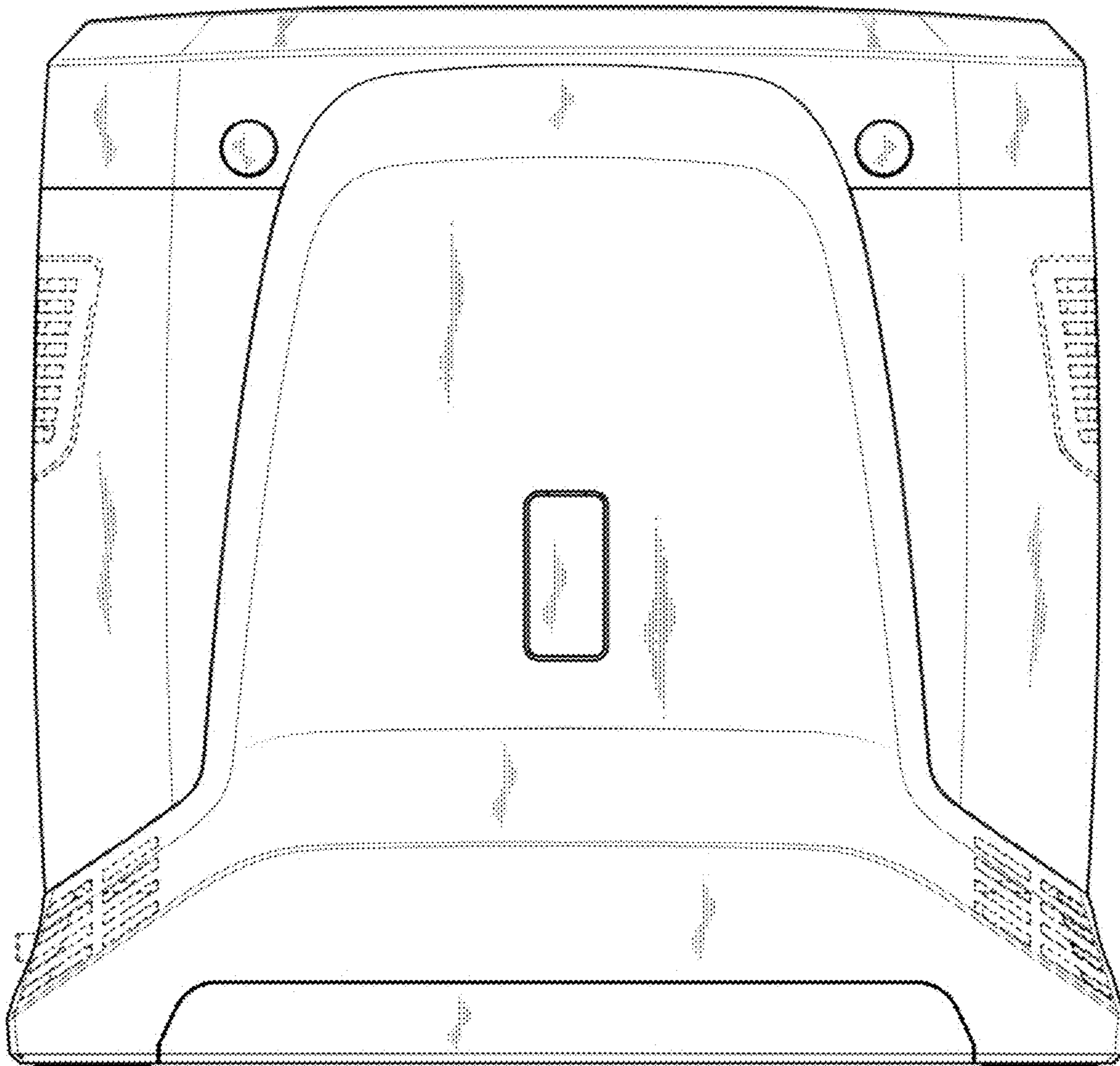
1.1



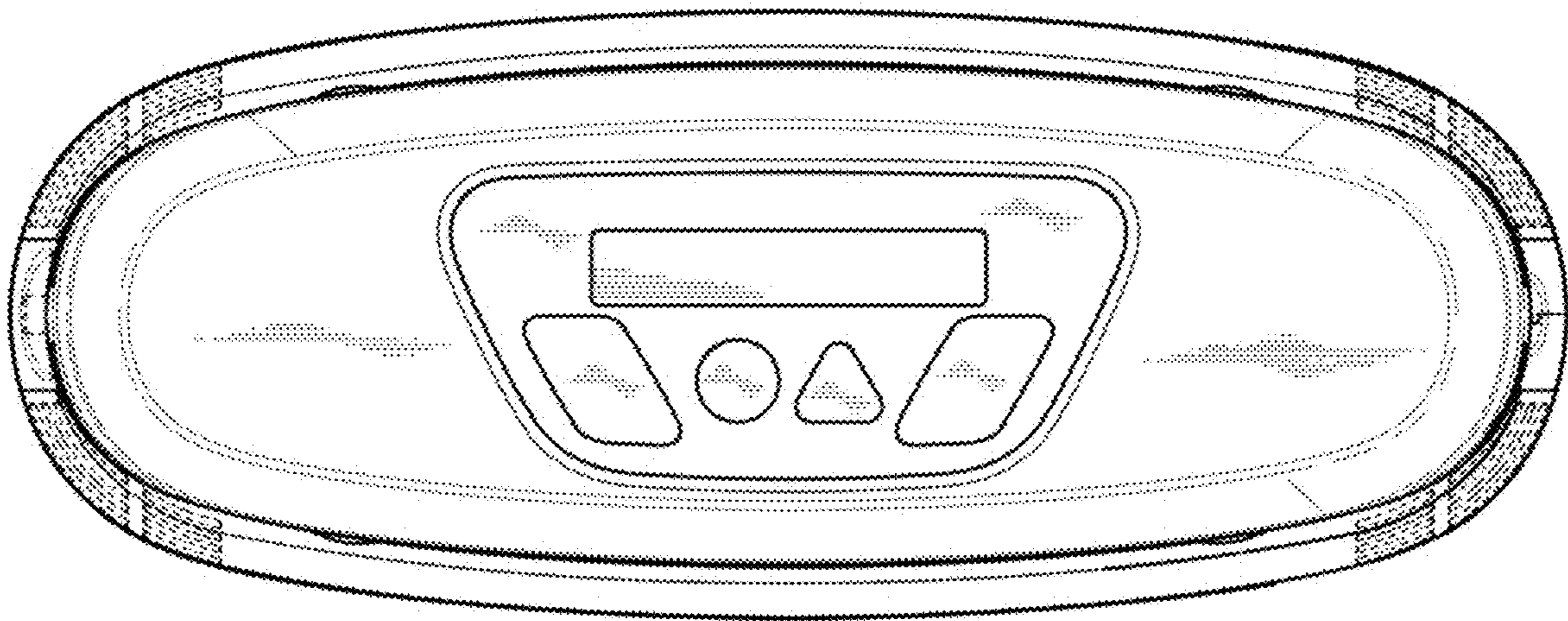
1.2



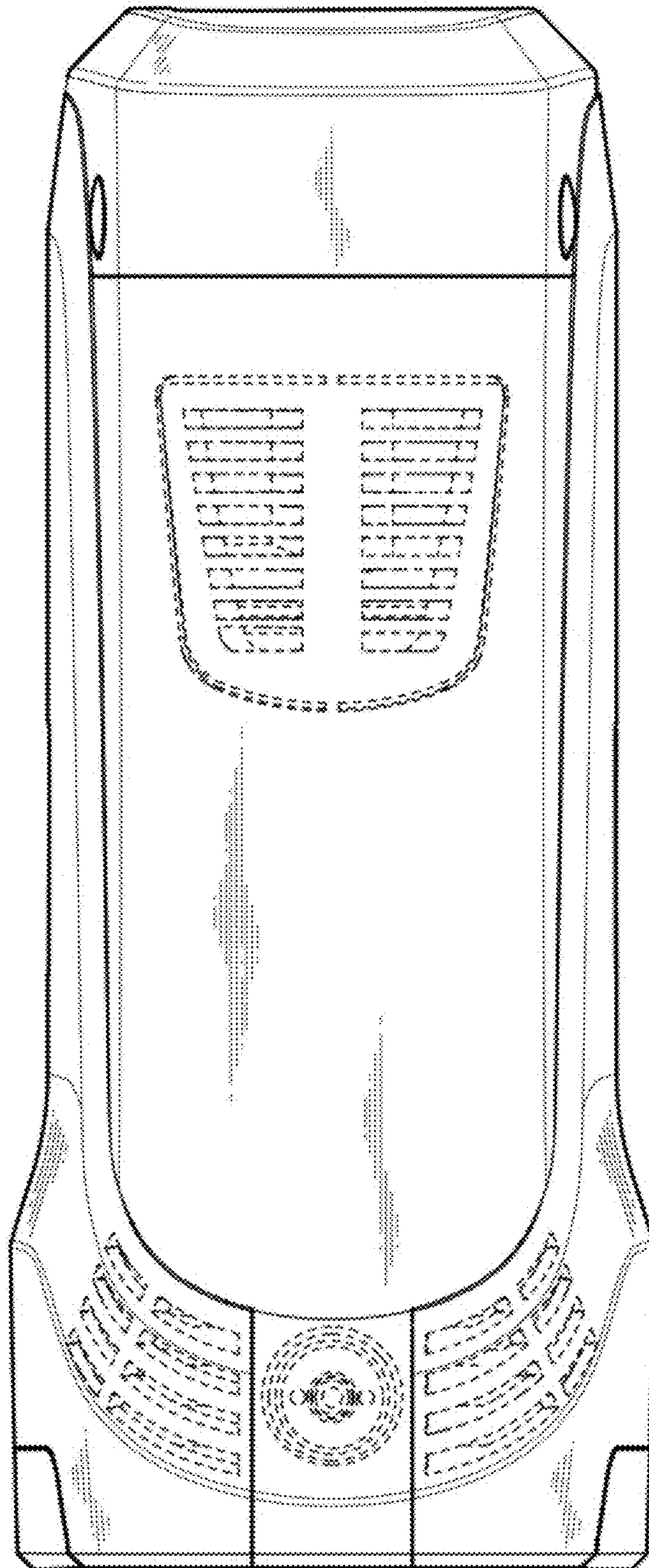
1.3



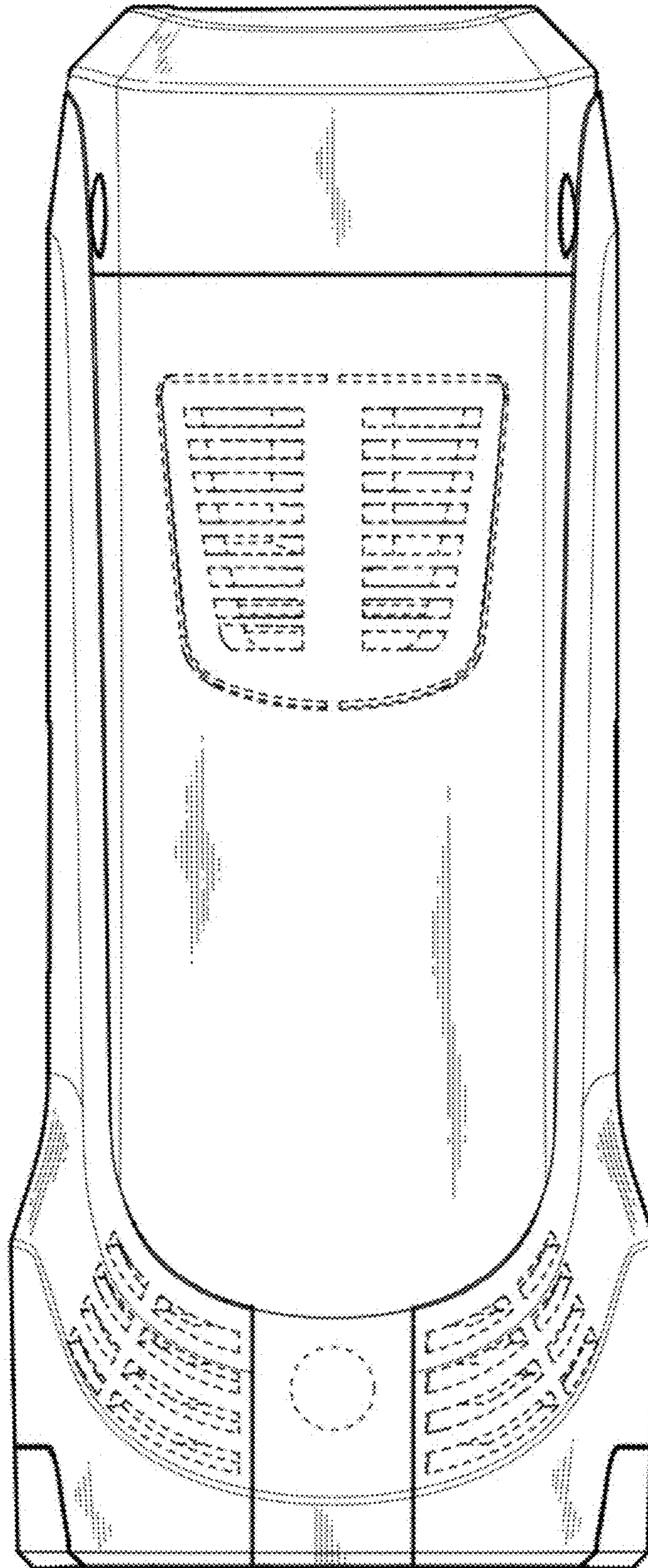
1.4



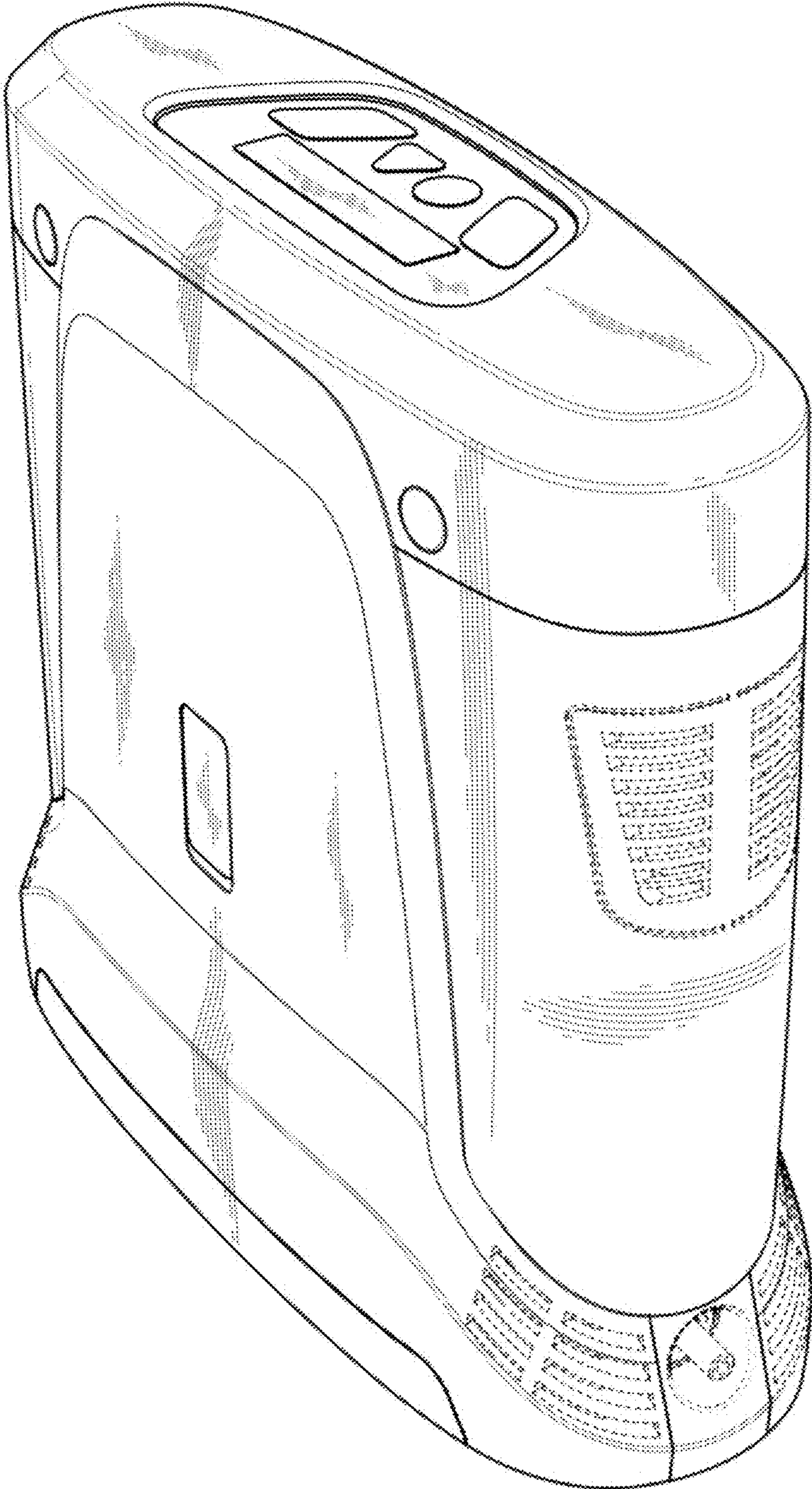
1.5



1.6

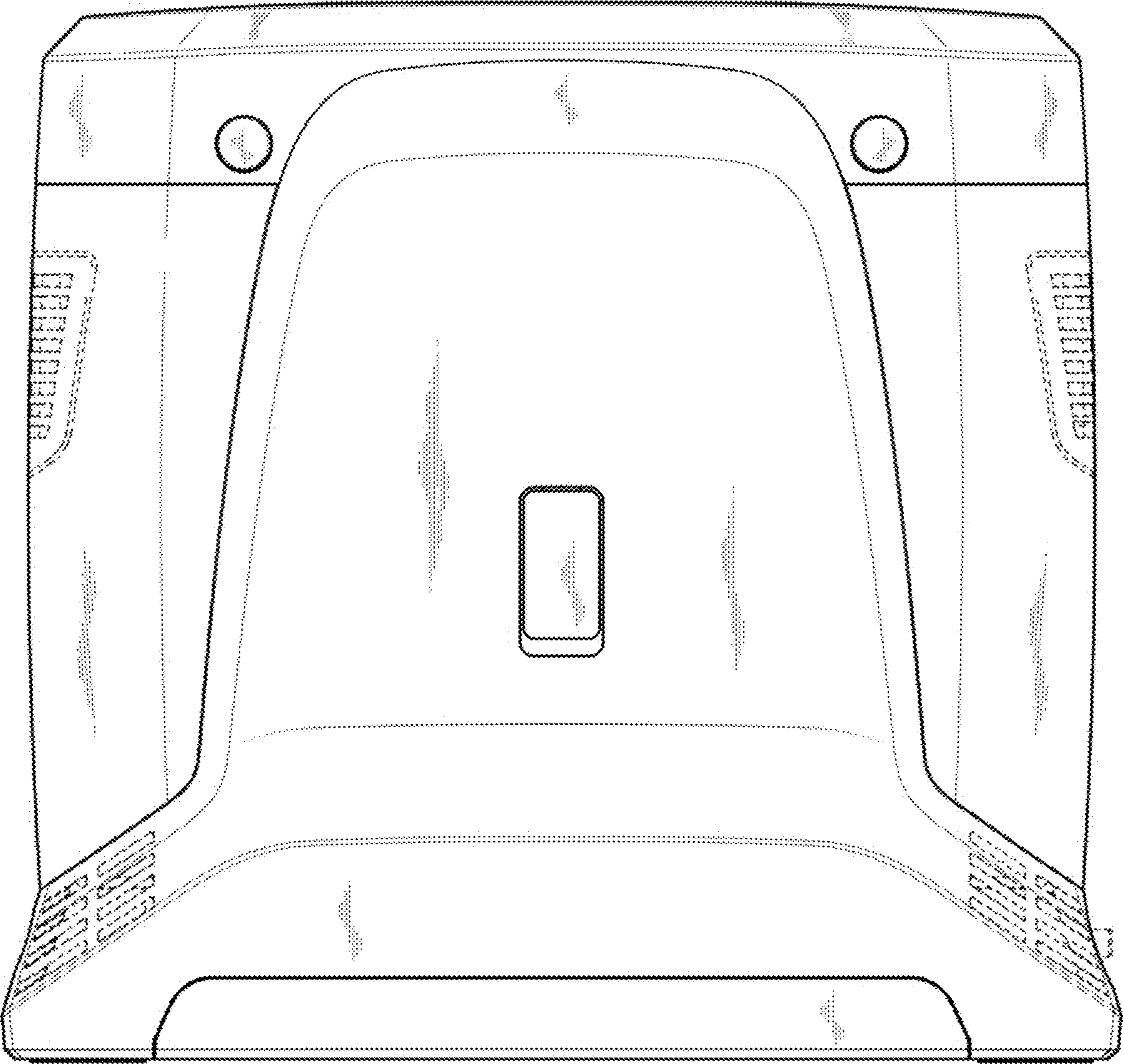


2.1

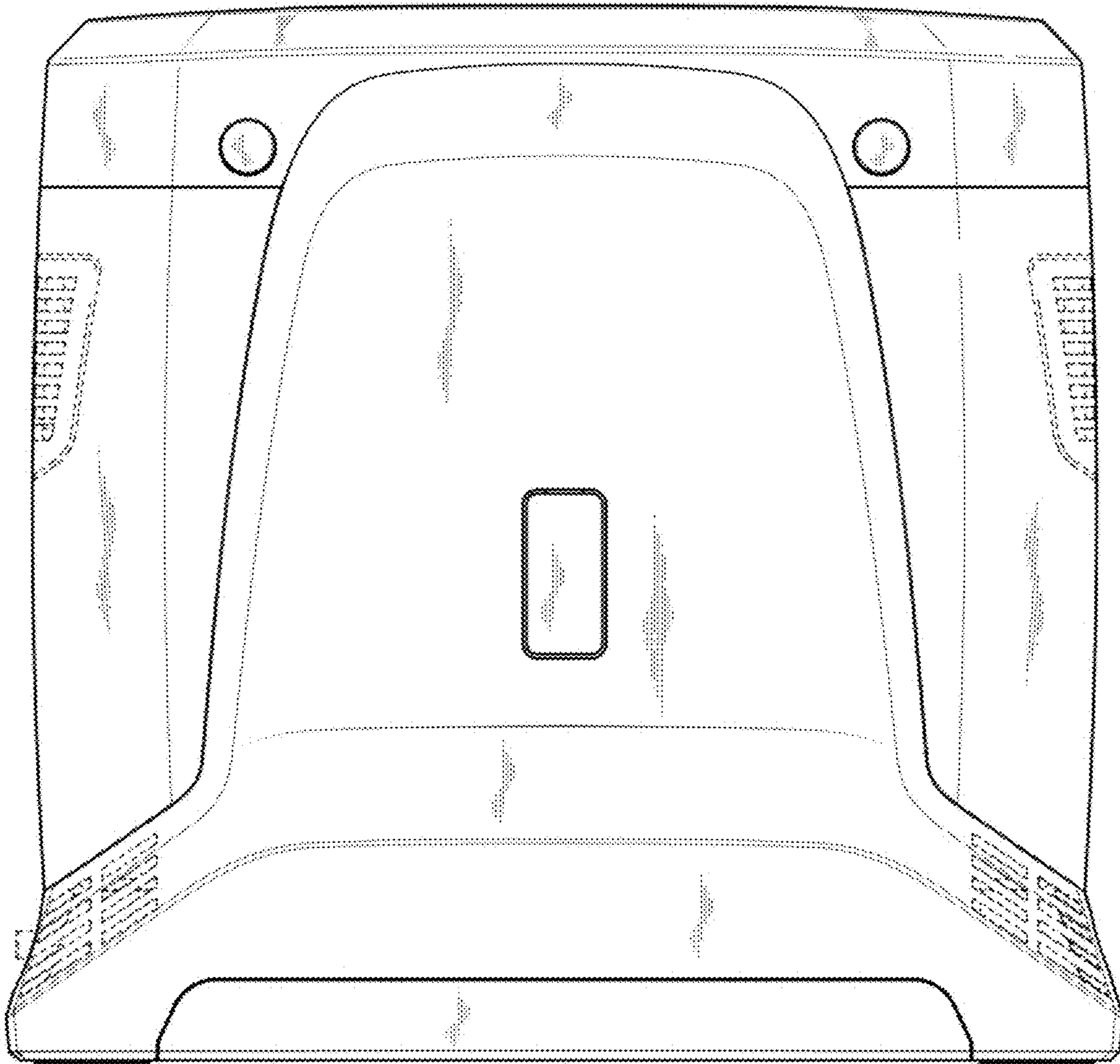




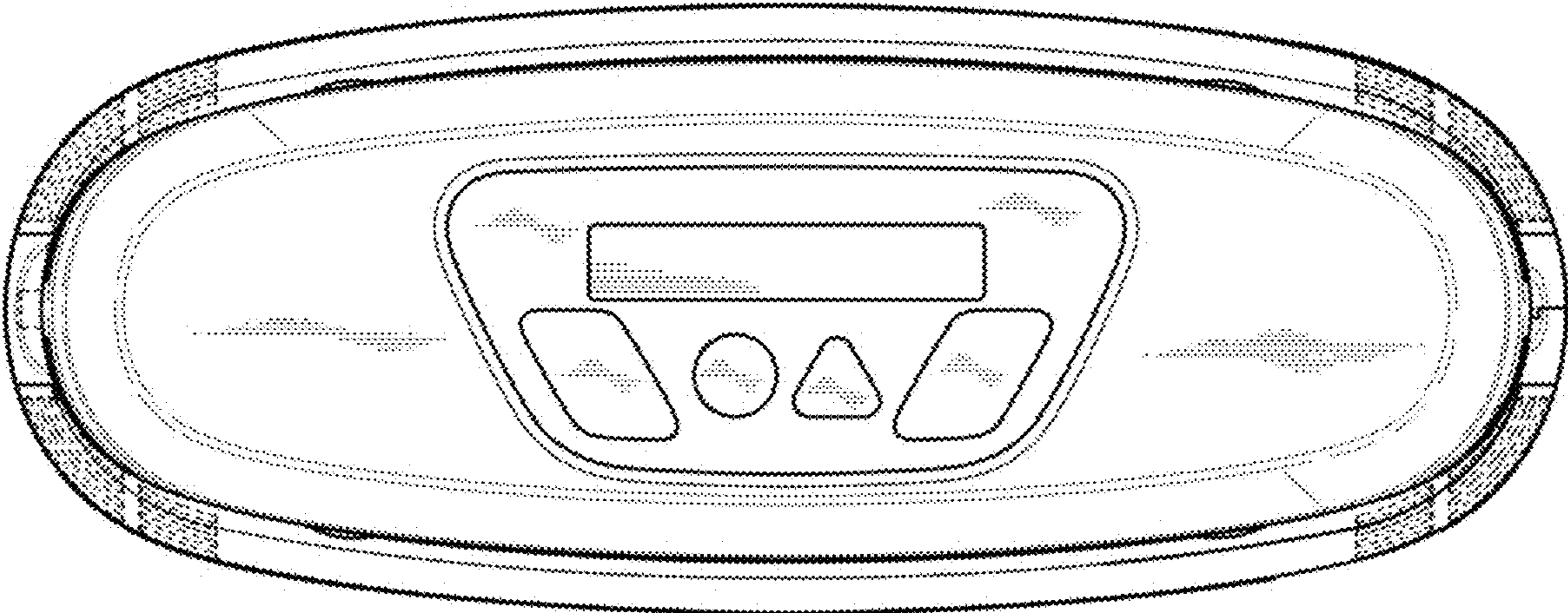
2.2



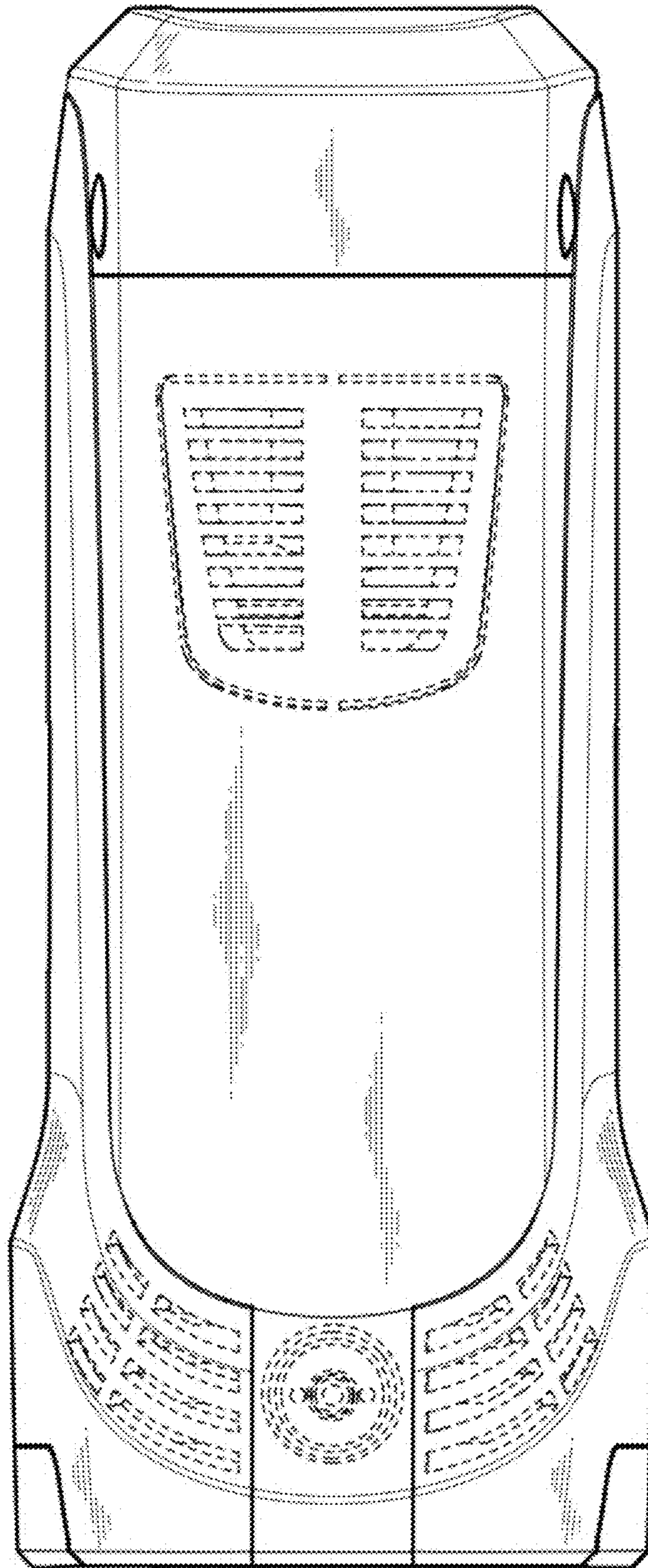
2.3



2.4



2.5



2.6

