



US00D835288S

(12) **United States Design Patent** (10) **Patent No.:** **US D835,288 S**
Erwin et al. (45) **Date of Patent:** **** Dec. 4, 2018**

(54) **BRACE**

(71) Applicant: **Ortho Systems**, Agoura Hills, CA (US)

(72) Inventors: **Edwin Erwin**, Studio City, CA (US);
Zhuang Shao, Los Angeles, CA (US);
Kenji Watabe, Ventura, CA (US);
Tracy E. Grim, Thousand Oaks, CA (US)

(73) Assignee: **Ortho Systems**, Agoura Hills

(**) Term: **15 Years**

(21) Appl. No.: **29/576,176**

(22) Filed: **Aug. 31, 2016**

(51) **LOC (11) Cl.** **24-02**

(52) **U.S. Cl.**
USPC **D24/190**

(58) **Field of Classification Search**
USPC D24/155, 188-192, 199, 200, 206,
D24/212-214; D29/113, 117.1, 117.2,
D29/118, 119, 120.1, 121.1, 121.2, 123;
D2/610, 612, 616, 617, 621, 980,
D2/983-988, 994
CPC ... A61F 5/00; A61F 5/0118; A61F 2005/0186
See application file for complete search history.

(56) **References Cited**

U.S. PATENT DOCUMENTS

1,627,382 A	5/1927	Golomb	
3,327,703 A	6/1967	Gamm	
4,193,135 A	3/1980	Rhee	
4,438,532 A	3/1984	Campanella et al.	
4,561,122 A	12/1985	Stanley et al.	
4,709,694 A	12/1987	O'Connell	
D295,897 S *	5/1988	Thimm-Kelly	473/62
4,779,289 A	10/1988	Prouty	
4,852,557 A	8/1989	Grim	

(Continued)

FOREIGN PATENT DOCUMENTS

EP 2453849 A1 5/2012
JP 2003522594 A 7/2003

(Continued)

OTHER PUBLICATIONS

Better Braces. DonJoy Comfortform Wrist Support. Jun. 10, 2012 [earliest online date], [site visited May 14, 2018]. Available from Internet, <URL:https://www.betterbraces.com/donjoy-comfortform-wrist-support>. (Year: 2012).*

(Continued)

Primary Examiner — George D. Kirschbaum

Assistant Examiner — Darcey E Heflin

(74) *Attorney, Agent, or Firm* — Fulwider Patton LLP

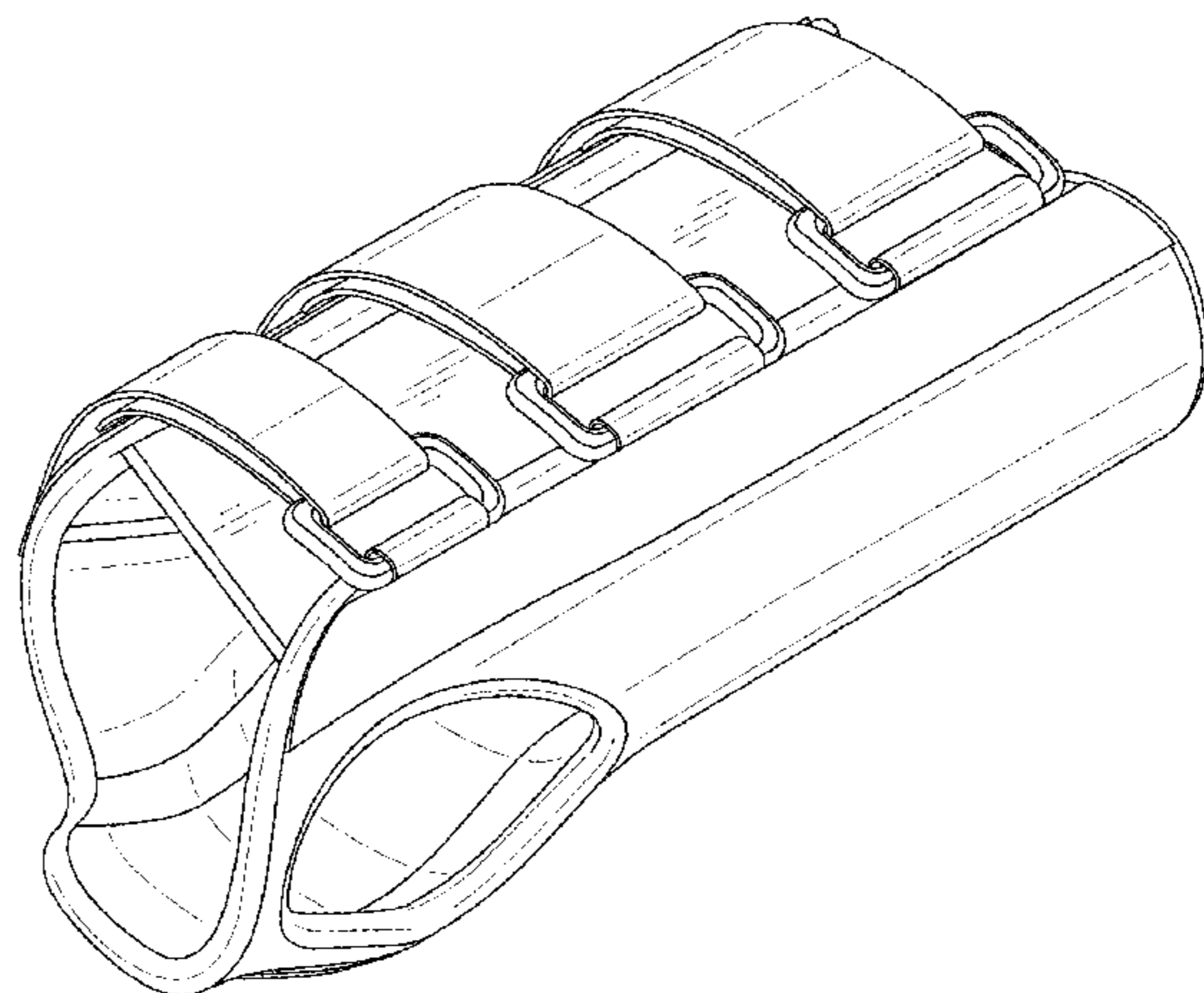
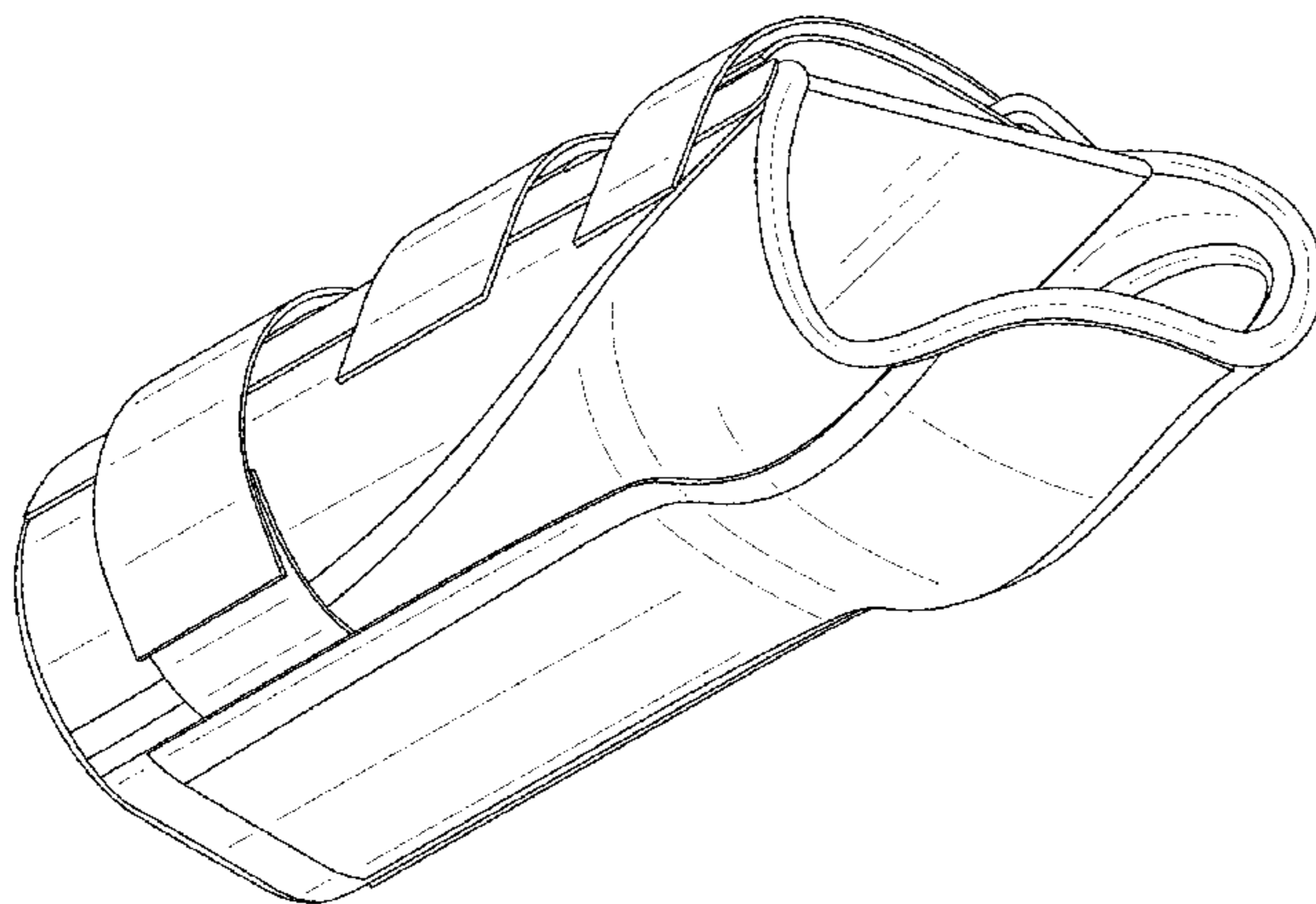
(57) **CLAIM**

The ornamental design for a brace, as shown and described.

DESCRIPTION

FIG. 1 is a bottom left perspective view of the first embodiment of a brace showing our new design; FIG. 2 is a top right perspective view of the design shown in FIG. 1; FIG. 3 is a top view of the design shown in FIG. 1; FIG. 4 is a bottom view of the design shown in FIG. 1; FIG. 5 is a right side view of the design shown in FIG. 1; FIG. 6 is left side view of the design shown in FIG. 1; FIG. 7 is front view of the design shown in FIG. 1; and, FIG. 8 is back view of the design shown in FIG. 1. The broken lines shown in the drawings represent unclaimed portions of the brace and form no part of the claimed design. The stippling in the drawings indicates a contrast in appearance.

1 Claim, 8 Drawing Sheets



(56)

References Cited

U.S. PATENT DOCUMENTS

4,893,616 A 1/1990 Gibaud
 4,964,402 A 10/1990 Grim et al.
 4,996,979 A 3/1991 Grim
 5,014,689 A 5/1991 Meunchen et al.
 5,058,576 A 10/1991 Grim et al.
 5,445,602 A 8/1995 Grim et al.
 5,551,950 A 9/1996 Oppen
 5,572,738 A 11/1996 Melone, Jr.
 5,675,839 A 10/1997 Gordon et al.
 5,713,837 A 2/1998 Grim et al.
 D392,072 S * 3/1998 Levine D29/120.1
 5,772,619 A 6/1998 Corbett
 5,836,902 A 11/1998 Gray
 5,925,010 A 7/1999 Caprio, Jr.
 5,971,946 A 10/1999 Quinn et al.
 5,980,476 A 11/1999 Wiederrich
 6,085,354 A 7/2000 Wilder et al.
 6,126,625 A 10/2000 Lundberg
 D438,625 S * 3/2001 Kellogg D24/190
 D441,082 S * 4/2001 Ruscitti D24/190
 6,279,159 B1 8/2001 Ahlbaumer
 D456,081 S * 4/2002 Bell D24/190
 6,482,167 B2 11/2002 Grim et al.
 6,496,984 B1 12/2002 Chow
 6,572,571 B2 6/2003 Lowe
 D477,088 S * 7/2003 Brown A61F 5/0118
 D24/190
 D477,409 S * 7/2003 Mills D24/190
 D477,410 S * 7/2003 Wiggins D24/190
 6,691,315 B1 2/2004 Clarke et al.
 6,721,960 B1 4/2004 Levesque et al.
 D496,465 S * 9/2004 Weaver, II D24/190
 D528,214 S * 9/2006 Binet D24/190
 7,469,426 B2 12/2008 Roeckl
 D645,564 S * 9/2011 Hinds D24/190
 2005/0121562 A1 6/2005 Baumgardner
 2005/0234374 A1 * 10/2005 Grim A61F 5/0118
 602/6
 2005/0273030 A1 12/2005 Koby et al.
 2007/0100266 A1 5/2007 Hargrave
 2007/0157364 A1 7/2007 Comstock et al.
 2008/0319362 A1 12/2008 Joseph
 2009/0012438 A1 1/2009 Frangi
 2010/0094189 A1 4/2010 Ingimundarson et al.
 2011/0066095 A1 3/2011 Price et al.
 2011/0146032 A1 6/2011 Hu et al.
 2012/0179081 A1 7/2012 Anglada

2017/0135840 A1 * 5/2017 Williams A61F 5/0118
 2017/0143526 A1 * 5/2017 Gaylord A61F 5/0118
 2017/0354528 A1 * 12/2017 Lane A61F 5/0118
 2018/0055672 A1 * 3/2018 Erwin A61F 5/0118

FOREIGN PATENT DOCUMENTS

JP 2004533286 A 11/2004
 JP 2009513262 A 4/2009
 WO 1992019196 A1 11/1992
 WO 1995031950 A1 11/1995
 WO 2001060289 A1 8/2001
 WO 2002078579 A1 10/2002
 WO 2007050703 A2 3/2007
 WO 2007050703 A2 5/2007
 WO 2011007103 A1 1/2011

OTHER PUBLICATIONS

Therapy Gloves. Adjustable Wrist Support Brace with Splint. 2018 [earliest online date], [site visited May 14, 2018]. Available from Internet, <URL:https://therapygloves.com/products/adjustable-wrist-support-brace-with-splint>. (Year: 2018).*

Allegro Medical. Exoform Wrist Brace. Feb. 7, 2012 [earliest online date], [site visited May 14, 2018]. Available from Internet, <URL:https://www.allegromedical.com/orthopedics-orthotics-c528/exoform-wrist-brace-p559591.html>. (Year: 2012).*

EP Search Report and Search Opinion dated Dec. 5, 2014 regarding EP11815168.7.

Australian Examination Report No. 1 dated May 19, 2014, regarding Australian Application AU2011285940.

Australian Examination Report No. 2 dated Apr. 19, 2015, regarding Australian Application AU2011285940.

Notice of Reasons for Rejection dated May 25, 2015 regarding JPA2013523265.

Australian Examination Report No. 3 dated Sep. 3, 2015, regarding Australian Application AU2011285940.

Japan Decision for Refusal dated Nov. 2, 2015, regarding Japanese Application No. 2013-523265 and English translation.

International Preliminary Report on Patentability dated Feb. 5, 2013, and Written Opinion dated Nov. 25, 2011, regarding PCT/US2011/046226.

International Search Report dated Nov. 25, 2011, regarding PCT/US2011/046226.

Australian Examination Report No. 1 dated Oct. 3, 2016, regarding AU2016200934.

* cited by examiner

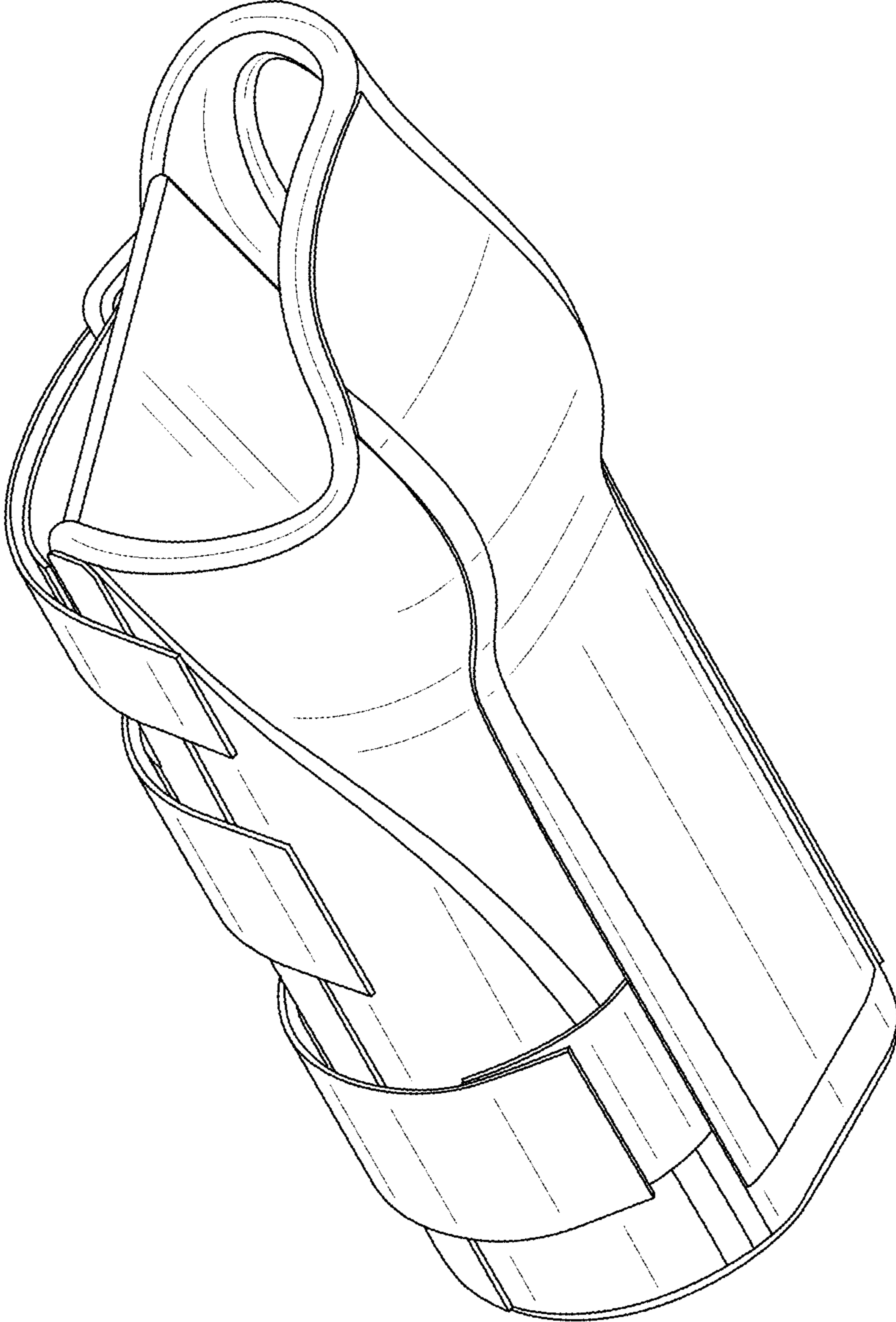


FIG. 1

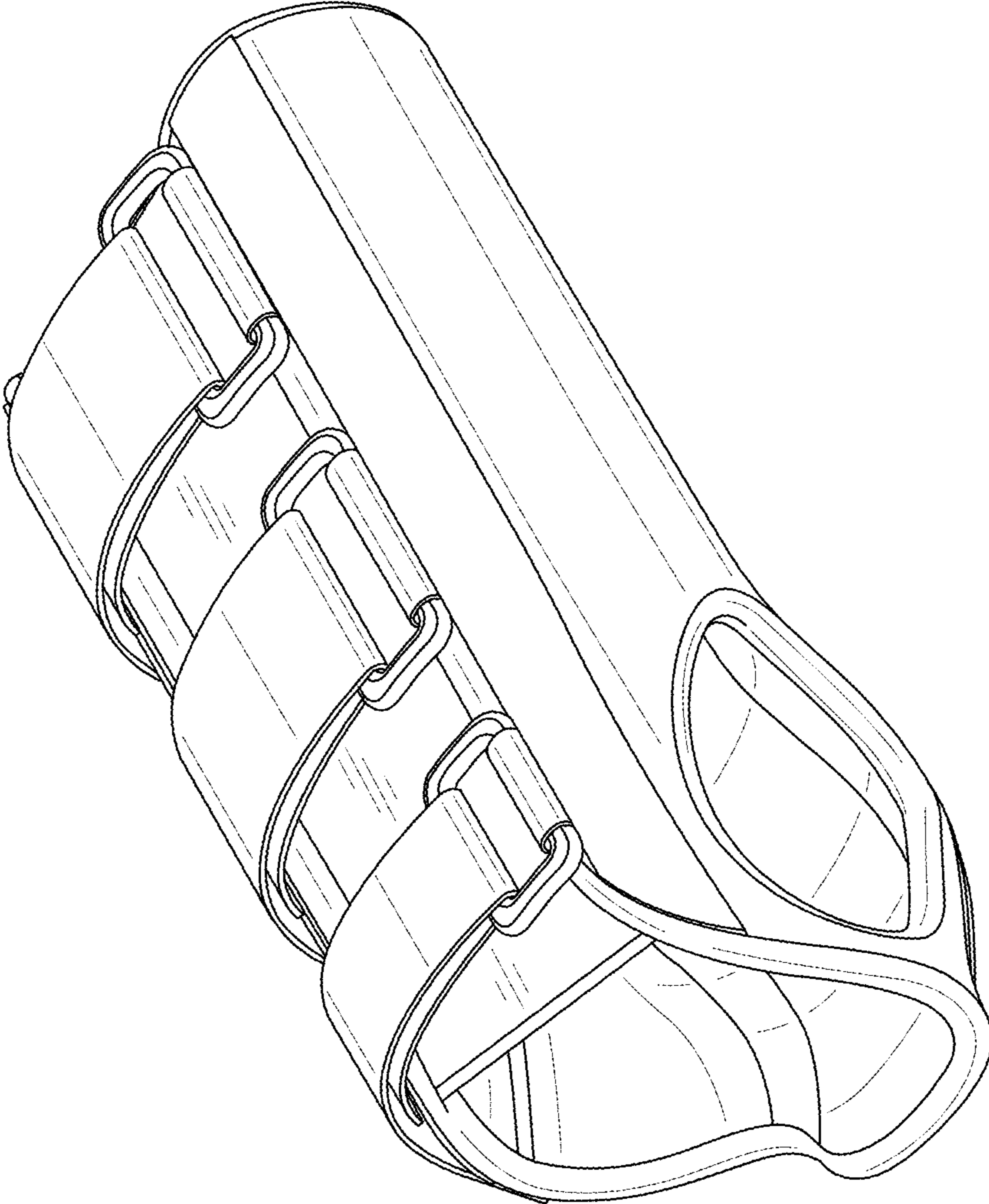


FIG. 2

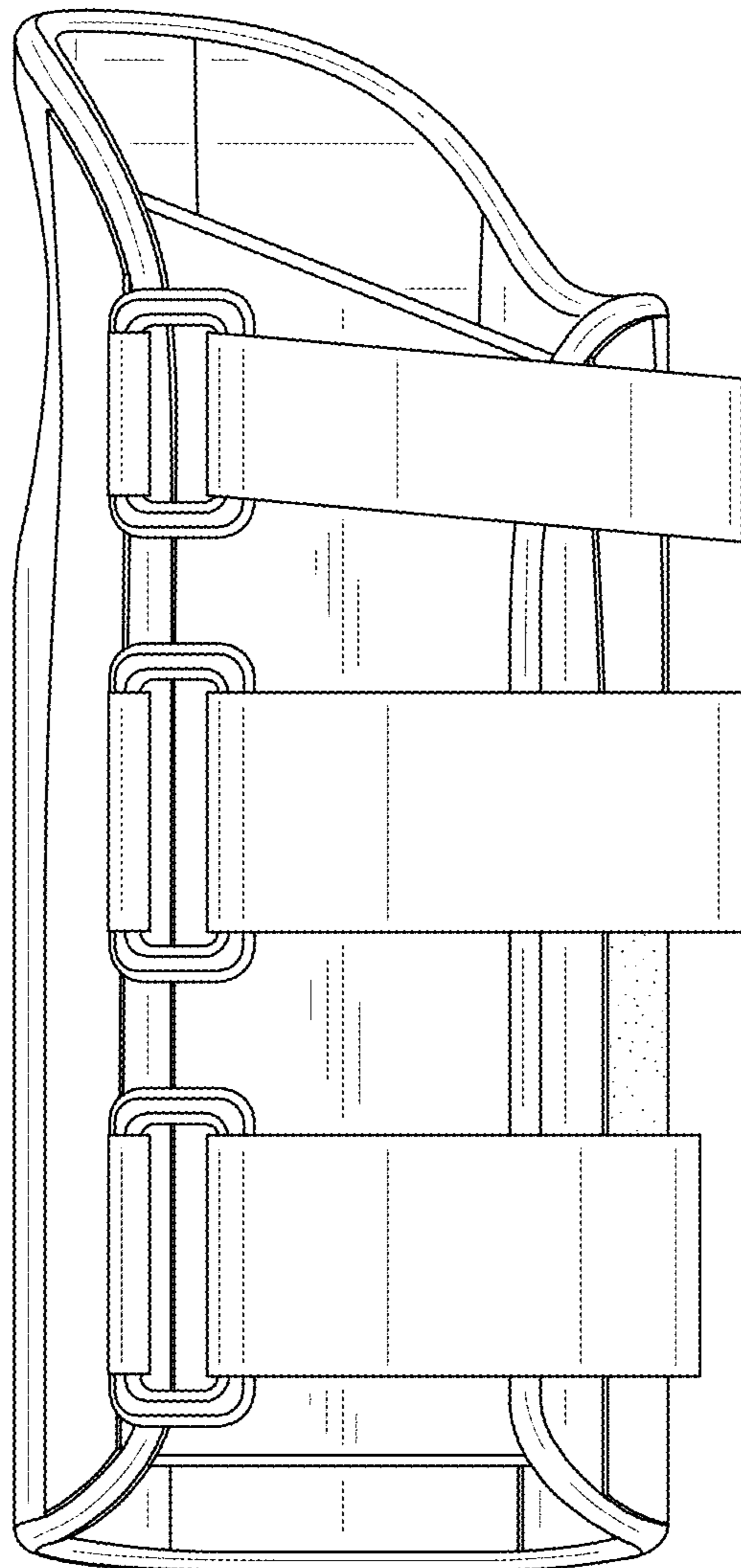


FIG. 3

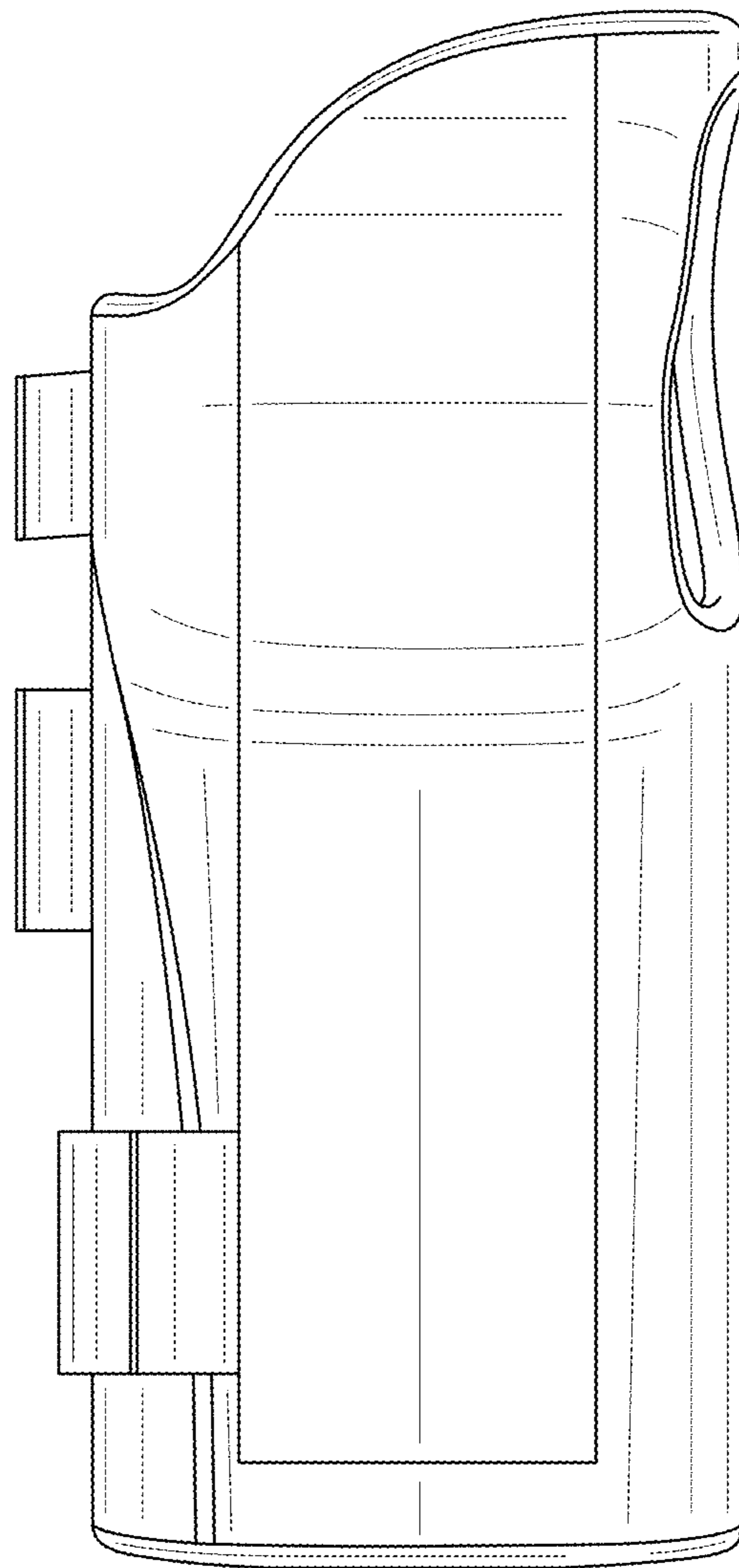


FIG. 4

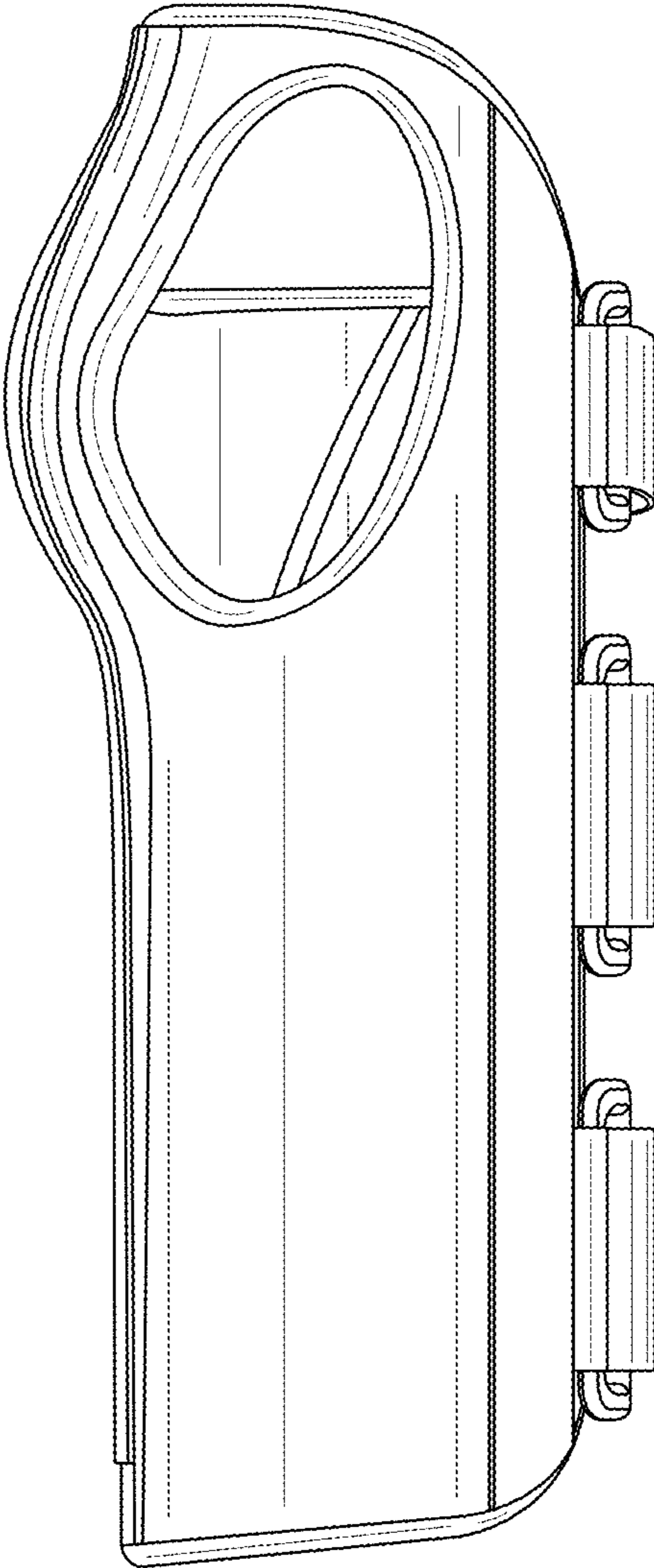


FIG. 5

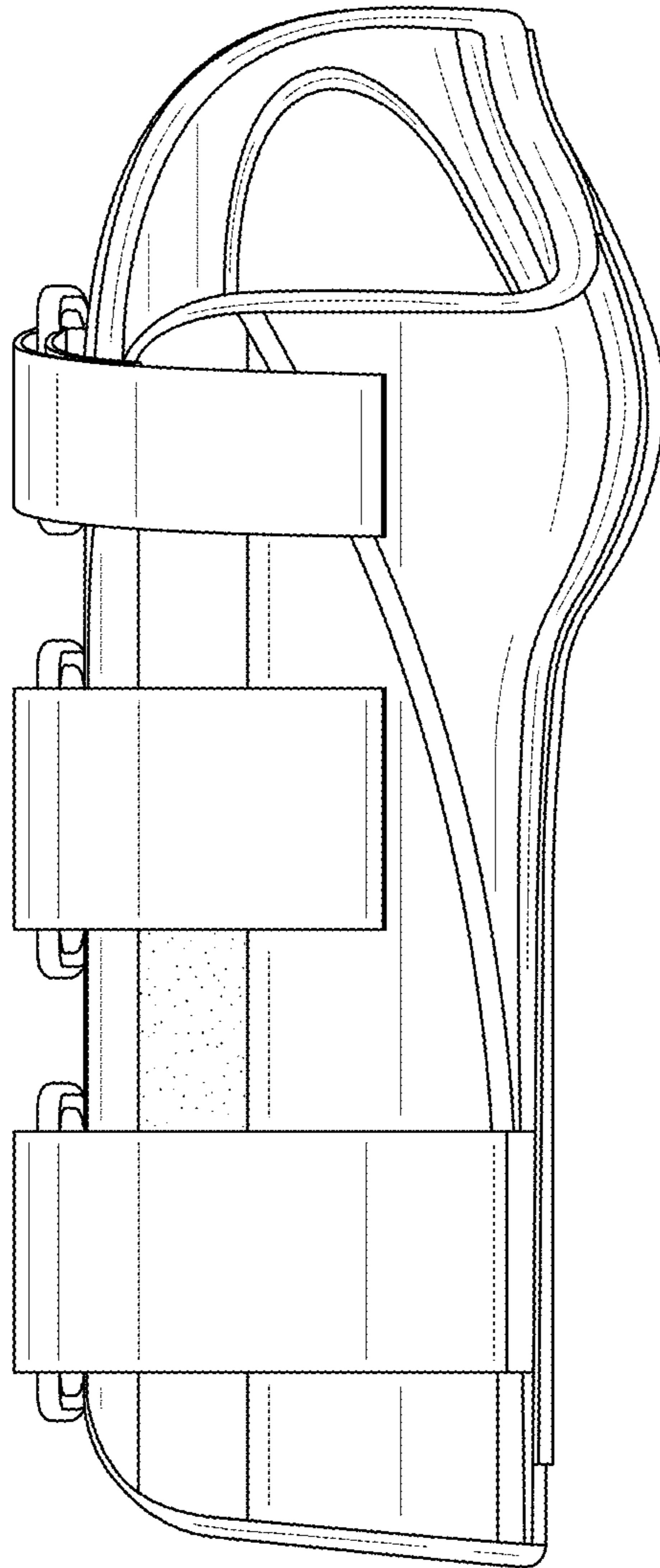


FIG. 6

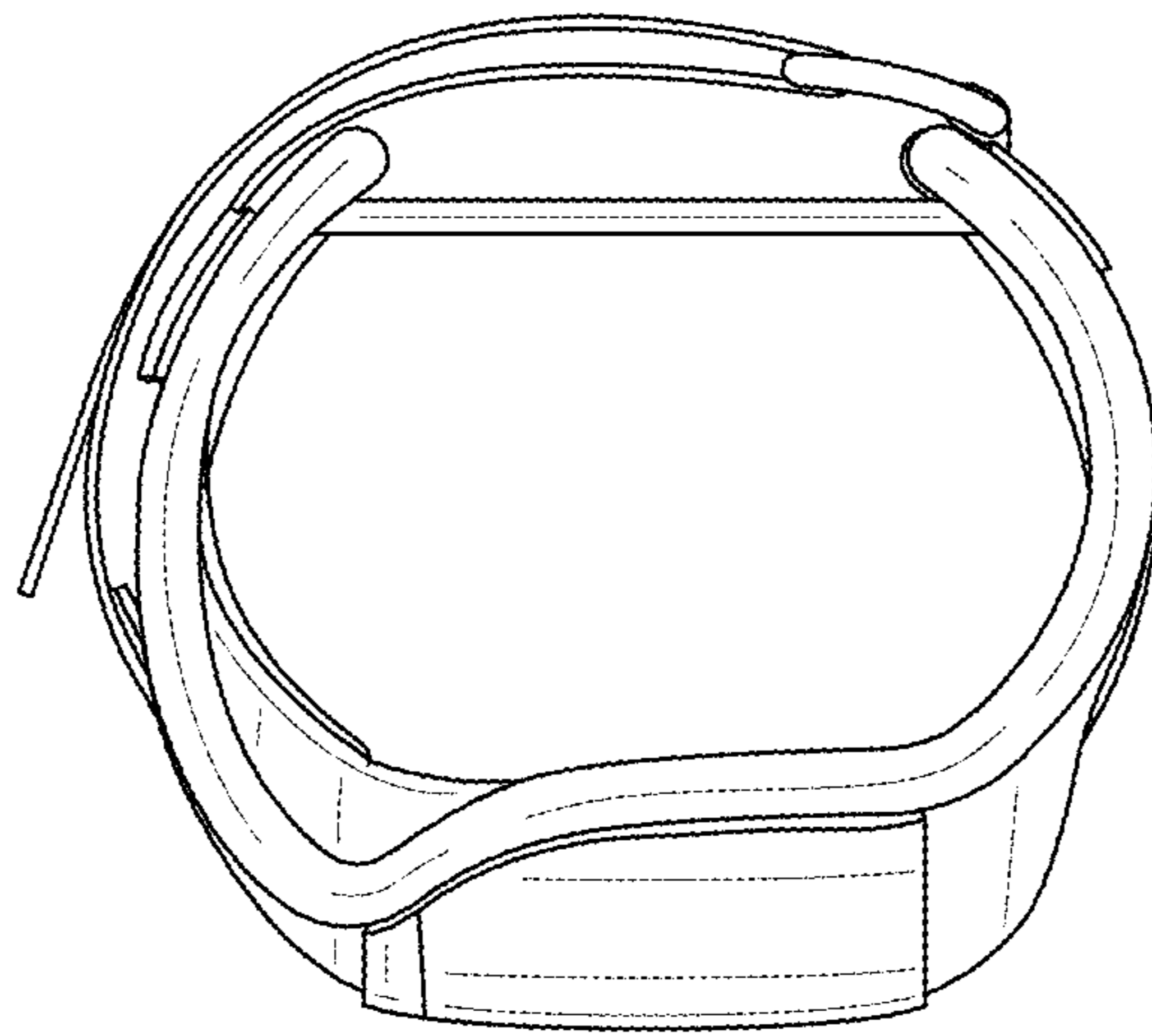


FIG. 7

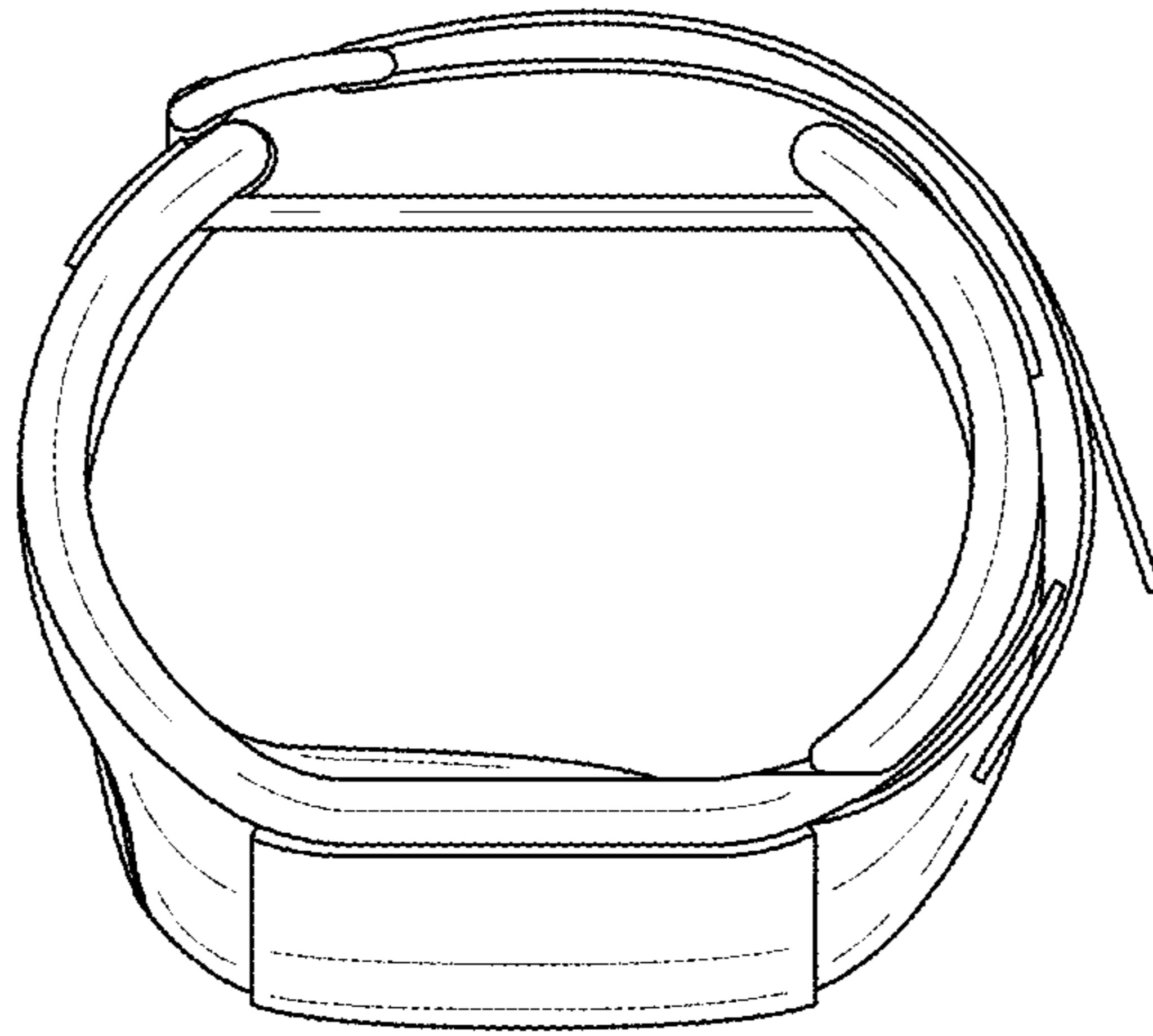


FIG. 8