



US00D835284S

(12) **United States Design Patent** (10) **Patent No.:** **US D835,284 S**  
**Barker et al.** (45) **Date of Patent:** **\*\* Dec. 4, 2018**

(54) **MEDICAL MONITORING DEVICE**  
(71) Applicant: **MASIMO CORPORATION**, Irvine, CA (US)  
(72) Inventors: **Nicholas Evan Barker**, Laguna Beach, CA (US); **Ammar Al-Ali**, San Juan Capistrano, CA (US); **Chad A. DeJong**, Los Angeles, CA (US); **Sujin Hwang**, Irvine, CA (US); **Massi Joe E. Kiani**, Laguna Niguel, CA (US); **Bilal Muhsin**, San Clemente, CA (US)

(73) Assignee: **MASIMO CORPORATION**, Irvine, CA (US)

(\*\*) Term: **15 Years**

(21) Appl. No.: **29/602,285**

(22) Filed: **Apr. 28, 2017**

(51) **LOC (11) Cl.** ..... **24-01**

(52) **U.S. Cl.**  
USPC ..... **D24/186**

(58) **Field of Classification Search**  
USPC .... D24/164-168, 186, 107; D10/75, 70, 98, D10/103; D14/344, 138 R, 138 AA  
CPC ..... A61B 5/0002; A61B 5/02055; A61B 5/02438; A61B 5/6898; A61B 5/002; A61B 5/7455; A61B 5/7445; A61B 2560/0205; A61B 2560/0462; A61B 2560/045; G01F 1/1654  
See application file for complete search history.

(56) **References Cited**

U.S. PATENT DOCUMENTS

4,960,128 A 10/1990 Gordon et al.  
4,964,408 A 10/1990 Hink et al.  
5,041,187 A 8/1991 Hink et al.  
5,069,213 A 12/1991 Polczynski

5,163,438 A 11/1992 Gordon et al.  
5,319,355 A 6/1994 Russek  
5,337,744 A 8/1994 Branigan  
5,341,805 A 8/1994 Stavridi et al.  
D353,195 S 12/1994 Savage et al.  
D353,196 S 12/1994 Savage et al.  
5,377,676 A 1/1995 Vari et al.  
D359,546 S 6/1995 Savage et al.  
5,431,170 A 7/1995 Mathews  
D361,840 S 8/1995 Savage et al.  
D362,063 S 9/1995 Savage et al.  
5,452,717 A 9/1995 Branigan et al.  
D363,120 S 10/1995 Savage et al.  
5,456,252 A 10/1995 Vari et al.  
5,479,934 A 1/1996 Imran  
5,482,036 A 1/1996 Diab et al.  
5,490,505 A 2/1996 Diab et al.  
5,494,043 A 2/1996 O'Sullivan et al.  
5,533,511 A 7/1996 Kaspari et al.  
5,534,851 A 7/1996 Russek  
5,561,275 A 10/1996 Savage et al.  
5,562,002 A 10/1996 Lalin  
5,590,649 A 1/1997 Caro et al.

(Continued)

Primary Examiner — Anhdao Doan

(74) Attorney, Agent, or Firm — Knobbe, Martens, Olson & Bear, LLP

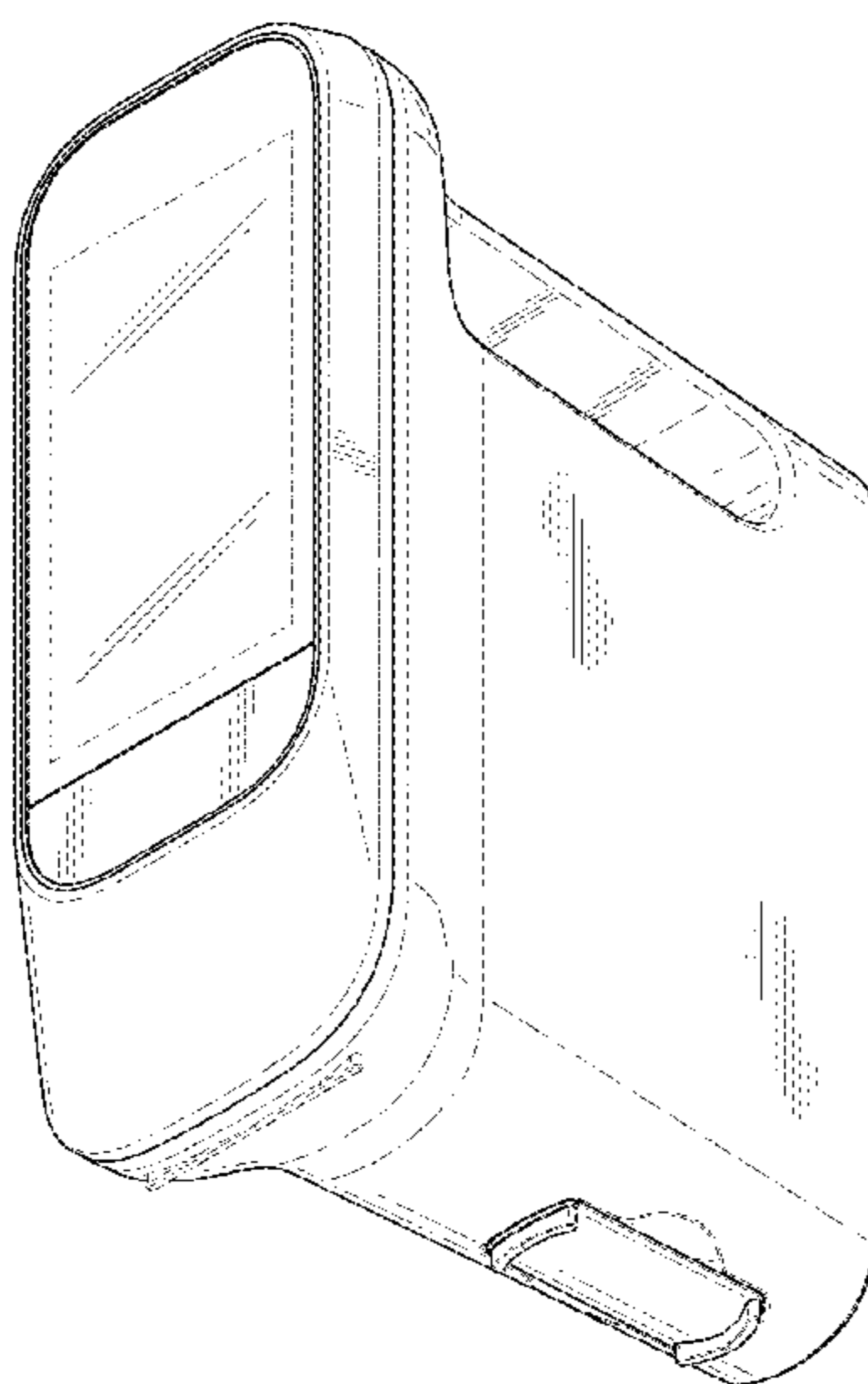
(57) **CLAIM**

The ornamental design for a medical monitoring device, as shown and described.

**DESCRIPTION**

FIG. 1 is a front, side, and bottom perspective view of a medical monitoring device embodying our new design; FIG. 2 is a front view thereof; FIG. 3 is a rear view thereof; FIG. 4 is a first side view thereof; FIG. 5 is a second side view thereof; FIG. 6 is a top view thereof; and, FIG. 7 is a bottom view thereof.

**1 Claim, 7 Drawing Sheets**



(56)

## References Cited

## U.S. PATENT DOCUMENTS

|              |         |                          |              |         |                          |
|--------------|---------|--------------------------|--------------|---------|--------------------------|
| 5,602,924 A  | 2/1997  | Durand et al.            | 6,505,059 B1 | 1/2003  | Kollias et al.           |
| 5,632,272 A  | 5/1997  | Diab et al.              | 6,515,273 B2 | 2/2003  | Al-Ali                   |
| 5,638,816 A  | 6/1997  | Kiani-Azarbayjany et al. | 6,519,487 B1 | 2/2003  | Parker                   |
| 5,638,818 A  | 6/1997  | Diab et al.              | 6,525,386 B1 | 2/2003  | Mills et al.             |
| 5,645,440 A  | 7/1997  | Tobler et al.            | 6,526,300 B1 | 2/2003  | Kiani et al.             |
| 5,685,299 A  | 11/1997 | Diab et al.              | 6,541,756 B2 | 4/2003  | Schulz et al.            |
| D393,830 S   | 4/1998  | Tobler et al.            | 6,542,764 B1 | 4/2003  | Al-Ali et al.            |
| 5,743,262 A  | 4/1998  | Lepper, Jr. et al.       | 6,580,086 B1 | 6/2003  | Schulz et al.            |
| 5,758,644 A  | 6/1998  | Diab et al.              | 6,584,336 B1 | 6/2003  | Ali et al.               |
| 5,760,910 A  | 6/1998  | Lepper, Jr. et al.       | 6,595,316 B2 | 7/2003  | Cybulski et al.          |
| 5,769,785 A  | 6/1998  | Diab et al.              | 6,597,932 B2 | 7/2003  | Tian et al.              |
| 5,782,757 A  | 7/1998  | Diab et al.              | 6,597,933 B2 | 7/2003  | Kiani et al.             |
| 5,785,659 A  | 7/1998  | Caro et al.              | 6,606,511 B1 | 8/2003  | Ali et al.               |
| 5,791,347 A  | 8/1998  | Flaherty et al.          | 6,632,181 B2 | 10/2003 | Flaherty et al.          |
| 5,810,734 A  | 9/1998  | Caro et al.              | 6,639,668 B1 | 10/2003 | Trepagnier               |
| 5,823,950 A  | 10/1998 | Diab et al.              | 6,640,116 B2 | 10/2003 | Diab                     |
| 5,830,131 A  | 11/1998 | Caro et al.              | 6,643,530 B2 | 11/2003 | Diab et al.              |
| 5,833,618 A  | 11/1998 | Caro et al.              | 6,650,917 B2 | 11/2003 | Diab et al.              |
| 5,860,919 A  | 1/1999  | Kiani-Azarbayjany et al. | 6,654,624 B2 | 11/2003 | Diab et al.              |
| 5,890,929 A  | 4/1999  | Mills et al.             | 6,658,276 B2 | 12/2003 | Kiani et al.             |
| 5,904,654 A  | 5/1999  | Wohltmann et al.         | 6,661,161 B1 | 12/2003 | Lanzo et al.             |
| 5,919,134 A  | 7/1999  | Diab                     | 6,671,531 B2 | 12/2003 | Al-Ali et al.            |
| 5,934,925 A  | 8/1999  | Tobler et al.            | 6,678,543 B2 | 1/2004  | Diab et al.              |
| 5,940,182 A  | 8/1999  | Lepper, Jr. et al.       | 6,684,090 B2 | 1/2004  | Ali et al.               |
| 5,987,343 A  | 11/1999 | Kinast                   | 6,684,091 B2 | 1/2004  | Parker                   |
| 5,995,855 A  | 11/1999 | Kiani et al.             | 6,697,656 B1 | 2/2004  | Al-Ali                   |
| 5,997,343 A  | 12/1999 | Mills et al.             | 6,697,657 B1 | 2/2004  | Shehada et al.           |
| 6,002,952 A  | 12/1999 | Diab et al.              | 6,697,658 B2 | 2/2004  | Al-Ali                   |
| 6,011,986 A  | 1/2000  | Diab et al.              | RE38,476 E   | 3/2004  | Diab et al.              |
| 6,027,452 A  | 2/2000  | Flaherty et al.          | 6,699,194 B1 | 3/2004  | Diab et al.              |
| 6,036,642 A  | 3/2000  | Diab et al.              | 6,714,804 B2 | 3/2004  | Al-Ali et al.            |
| 6,045,509 A  | 4/2000  | Caro et al.              | RE38,492 E   | 4/2004  | Diab et al.              |
| 6,067,462 A  | 5/2000  | Diab et al.              | 6,721,582 B2 | 4/2004  | Trepagnier et al.        |
| 6,081,735 A  | 6/2000  | Diab et al.              | 6,721,585 B1 | 4/2004  | Parker                   |
| 6,088,607 A  | 7/2000  | Diab et al.              | 6,725,075 B2 | 4/2004  | Al-Ali                   |
| 6,110,522 A  | 8/2000  | Lepper, Jr. et al.       | 6,728,560 B2 | 4/2004  | Kollias et al.           |
| 6,124,597 A  | 9/2000  | Shehada                  | 6,735,459 B2 | 5/2004  | Parker                   |
| 6,128,521 A  | 10/2000 | Marro et al.             | 6,745,060 B2 | 6/2004  | Diab et al.              |
| 6,129,675 A  | 10/2000 | Jay                      | 6,760,607 B2 | 7/2004  | Al-Ali                   |
| 6,144,868 A  | 11/2000 | Parker                   | 6,770,028 B1 | 8/2004  | Ali et al.               |
| 6,151,516 A  | 11/2000 | Kiani-Azarbayjany et al. | 6,771,994 B2 | 8/2004  | Kiani et al.             |
| 6,152,754 A  | 11/2000 | Gerhardt et al.          | 6,792,300 B1 | 9/2004  | Diab et al.              |
| 6,157,850 A  | 12/2000 | Diab et al.              | 6,813,511 B2 | 11/2004 | Diab et al.              |
| 6,165,005 A  | 12/2000 | Mills et al.             | 6,816,741 B2 | 11/2004 | Diab                     |
| 6,184,521 B1 | 2/2001  | Coffin, IV et al.        | 6,822,564 B2 | 11/2004 | Al-Ali                   |
| 6,206,830 B1 | 3/2001  | Diab et al.              | 6,826,419 B2 | 11/2004 | Diab et al.              |
| 6,229,856 B1 | 5/2001  | Diab et al.              | 6,830,711 B2 | 12/2004 | Mills et al.             |
| 6,232,609 B1 | 5/2001  | Snyder et al.            | 6,850,787 B2 | 2/2005  | Weber et al.             |
| 6,236,872 B1 | 5/2001  | Diab et al.              | 6,850,788 B2 | 2/2005  | Al-Ali                   |
| 6,241,683 B1 | 6/2001  | MacKlem et al.           | 6,852,083 B2 | 2/2005  | Caro et al.              |
| 6,253,097 B1 | 6/2001  | Aronow et al.            | 6,861,639 B2 | 3/2005  | Al-Ali                   |
| 6,256,523 B1 | 7/2001  | Diab et al.              | 6,898,452 B2 | 5/2005  | Al-Ali et al.            |
| 6,263,222 B1 | 7/2001  | Diab et al.              | 6,920,345 B2 | 7/2005  | Al-Ali et al.            |
| 6,278,522 B1 | 8/2001  | Lepper, Jr. et al.       | 6,931,268 B1 | 8/2005  | Kiani-Azarbayjany et al. |
| 6,280,213 B1 | 8/2001  | Tobler et al.            | 6,934,570 B2 | 8/2005  | Kiani et al.             |
| 6,285,896 B1 | 9/2001  | Tobler et al.            | 6,939,305 B2 | 9/2005  | Flaherty et al.          |
| 6,301,493 B1 | 10/2001 | Marro et al.             | 6,943,348 B1 | 9/2005  | Coffin, IV               |
| 6,308,089 B1 | 10/2001 | Von Der Ruhr et al.      | 6,950,687 B2 | 9/2005  | Al-Ali                   |
| 6,317,627 B1 | 11/2001 | Ennen et al.             | 6,961,598 B2 | 11/2005 | Diab                     |
| 6,321,100 B1 | 11/2001 | Parker                   | 6,970,792 B1 | 11/2005 | Diab                     |
| 6,325,761 B1 | 12/2001 | Jay                      | 6,979,812 B2 | 12/2005 | Al-Ali                   |
| 6,334,065 B1 | 12/2001 | Al-Ali et al.            | 6,985,764 B2 | 1/2006  | Mason et al.             |
| 6,343,224 B1 | 1/2002  | Parker                   | 6,993,371 B2 | 1/2006  | Kiani et al.             |
| 6,349,228 B1 | 2/2002  | Kiani et al.             | 6,996,427 B2 | 2/2006  | Ali et al.               |
| 6,360,114 B1 | 3/2002  | Diab et al.              | 6,999,904 B2 | 2/2006  | Weber et al.             |
| 6,368,283 B1 | 4/2002  | Xu et al.                | 7,003,338 B2 | 2/2006  | Weber et al.             |
| 6,371,921 B1 | 4/2002  | Caro et al.              | 7,003,339 B2 | 2/2006  | Diab et al.              |
| 6,377,829 B1 | 4/2002  | Al-Ali                   | 7,015,451 B2 | 3/2006  | Dalke et al.             |
| 6,388,240 B2 | 5/2002  | Schulz et al.            | 7,024,233 B2 | 4/2006  | Ali et al.               |
| 6,397,091 B2 | 5/2002  | Diab et al.              | 7,027,849 B2 | 4/2006  | Al-Ali                   |
| 6,430,437 B1 | 8/2002  | Marro                    | 7,030,749 B2 | 4/2006  | Al-Ali                   |
| 6,430,525 B1 | 8/2002  | Weber et al.             | 7,039,449 B2 | 5/2006  | Al-Ali                   |
| 6,463,311 B1 | 10/2002 | Diab                     | 7,041,060 B2 | 5/2006  | Flaherty et al.          |
| 6,470,199 B1 | 10/2002 | Kopotic et al.           | 7,044,918 B2 | 5/2006  | Diab                     |
| 6,501,975 B2 | 12/2002 | Diab et al.              | 7,048,687 B1 | 5/2006  | Reuss et al.             |
|              |         |                          | 7,067,893 B2 | 6/2006  | Mills et al.             |
|              |         |                          | 7,096,052 B2 | 8/2006  | Mason et al.             |
|              |         |                          | 7,096,054 B2 | 8/2006  | Abdul-Hafiz et al.       |
|              |         |                          | 7,132,641 B2 | 11/2006 | Schulz et al.            |

(56)

References Cited

U.S. PATENT DOCUMENTS

|              |         |                          |              |         |                          |
|--------------|---------|--------------------------|--------------|---------|--------------------------|
| 7,142,901 B2 | 11/2006 | Kiani et al.             | 7,764,982 B2 | 7/2010  | Dalke et al.             |
| 7,149,561 B2 | 12/2006 | Diab                     | D621,516 S   | 8/2010  | Kiani et al.             |
| 7,186,966 B2 | 3/2007  | Al-Ali                   | 7,791,155 B2 | 9/2010  | Diab                     |
| 7,190,261 B2 | 3/2007  | Al-Ali                   | 7,801,581 B2 | 9/2010  | Diab                     |
| 7,215,984 B2 | 5/2007  | Diab                     | 7,822,452 B2 | 10/2010 | Schurman et al.          |
| 7,215,986 B2 | 5/2007  | Diab                     | RE41,912 E   | 11/2010 | Parker                   |
| 7,221,971 B2 | 5/2007  | Diab                     | 7,844,313 B2 | 11/2010 | Kiani et al.             |
| 7,225,006 B2 | 5/2007  | Al-Ali et al.            | 7,844,314 B2 | 11/2010 | Al-Ali                   |
| 7,225,007 B2 | 5/2007  | Al-Ali                   | 7,844,315 B2 | 11/2010 | Al-Ali                   |
| RE39,672 E   | 6/2007  | Shehada et al.           | 7,865,222 B2 | 1/2011  | Weber et al.             |
| 7,239,905 B2 | 7/2007  | Kiani-Azarbayjany et al. | 7,873,497 B2 | 1/2011  | Weber et al.             |
| 7,245,953 B1 | 7/2007  | Parker                   | 7,880,606 B2 | 2/2011  | Al-Ali                   |
| 7,254,429 B2 | 8/2007  | Schurman et al.          | 7,880,626 B2 | 2/2011  | Al-Ali et al.            |
| 7,254,431 B2 | 8/2007  | Al-Ali                   | 7,891,355 B2 | 2/2011  | Al-Ali et al.            |
| 7,254,433 B2 | 8/2007  | Diab et al.              | 7,894,868 B2 | 2/2011  | Al-Ali et al.            |
| 7,254,434 B2 | 8/2007  | Schulz et al.            | 7,899,507 B2 | 3/2011  | Al-Ali et al.            |
| 7,272,425 B2 | 9/2007  | Al-Ali                   | 7,899,518 B2 | 3/2011  | Trepagnier et al.        |
| 7,274,955 B2 | 9/2007  | Kiani et al.             | 7,904,132 B2 | 3/2011  | Weber et al.             |
| D554,263 S * | 10/2007 | Al-Ali ..... D24/186     | 7,909,772 B2 | 3/2011  | Popov et al.             |
| 7,280,858 B2 | 10/2007 | Al-Ali et al.            | 7,910,875 B2 | 3/2011  | Al-Ali                   |
| 7,289,835 B2 | 10/2007 | Mansfield et al.         | 7,919,713 B2 | 4/2011  | Al-Ali et al.            |
| 7,292,883 B2 | 11/2007 | De Felice et al.         | 7,937,128 B2 | 5/2011  | Al-Ali                   |
| 7,295,866 B2 | 11/2007 | Al-Ali                   | 7,937,129 B2 | 5/2011  | Mason et al.             |
| 7,328,053 B1 | 2/2008  | Diab et al.              | 7,937,130 B2 | 5/2011  | Diab et al.              |
| 7,332,784 B2 | 2/2008  | Mills et al.             | 7,941,199 B2 | 5/2011  | Kiani                    |
| 7,340,287 B2 | 3/2008  | Mason et al.             | 7,951,086 B2 | 5/2011  | Flaherty et al.          |
| 7,341,559 B2 | 3/2008  | Schulz et al.            | 7,957,780 B2 | 6/2011  | Lamego et al.            |
| 7,343,186 B2 | 3/2008  | Lamego et al.            | 7,962,188 B2 | 6/2011  | Kiani et al.             |
| D566,282 S   | 4/2008  | Al-Ali et al.            | 7,962,190 B1 | 6/2011  | Diab et al.              |
| 7,355,512 B1 | 4/2008  | Al-Ali                   | 7,976,472 B2 | 7/2011  | Kiani                    |
| 7,356,365 B2 | 4/2008  | Schurman                 | D643,126 S * | 8/2011  | Barker ..... D24/186     |
| 7,371,981 B2 | 5/2008  | Abdul-Hafiz              | 7,988,637 B2 | 8/2011  | Diab                     |
| 7,373,193 B2 | 5/2008  | Al-Ali et al.            | 7,990,382 B2 | 8/2011  | Kiani                    |
| 7,373,194 B2 | 5/2008  | Weber et al.             | 7,991,446 B2 | 8/2011  | Ali et al.               |
| 7,376,453 B1 | 5/2008  | Diab et al.              | 8,000,761 B2 | 8/2011  | Al-Ali                   |
| 7,377,794 B2 | 5/2008  | Al Ali et al.            | 8,008,088 B2 | 8/2011  | Bellott et al.           |
| 7,377,899 B2 | 5/2008  | Weber et al.             | RE42,753 E   | 9/2011  | Kiani-Azarbayjany et al. |
| 7,383,070 B2 | 6/2008  | Diab et al.              | 8,019,400 B2 | 9/2011  | Diab et al.              |
| 7,415,297 B2 | 8/2008  | Al-Ali et al.            | 8,028,701 B2 | 10/2011 | Al-Ali et al.            |
| 7,428,432 B2 | 9/2008  | Ali et al.               | 8,029,765 B2 | 10/2011 | Bellott et al.           |
| 7,438,683 B2 | 10/2008 | Al-Ali et al.            | 8,036,727 B2 | 10/2011 | Schurman et al.          |
| 7,440,787 B2 | 10/2008 | Diab                     | 8,036,728 B2 | 10/2011 | Diab et al.              |
| 7,454,240 B2 | 11/2008 | Diab et al.              | 8,046,040 B2 | 10/2011 | Ali et al.               |
| 7,467,002 B2 | 12/2008 | Weber et al.             | 8,046,041 B2 | 10/2011 | Diab et al.              |
| 7,469,157 B2 | 12/2008 | Diab et al.              | 8,046,042 B2 | 10/2011 | Diab et al.              |
| 7,471,969 B2 | 12/2008 | Diab et al.              | 8,048,040 B2 | 11/2011 | Kiani                    |
| 7,471,971 B2 | 12/2008 | Diab et al.              | 8,050,728 B2 | 11/2011 | Al-Ali et al.            |
| 7,483,729 B2 | 1/2009  | Al-Ali et al.            | RE43,169 E   | 2/2012  | Parker                   |
| 7,483,730 B2 | 1/2009  | Diab et al.              | 8,118,620 B2 | 2/2012  | Al-Ali et al.            |
| 7,489,958 B2 | 2/2009  | Diab et al.              | 8,126,528 B2 | 2/2012  | Diab et al.              |
| 7,496,391 B2 | 2/2009  | Diab et al.              | 8,128,572 B2 | 3/2012  | Diab et al.              |
| 7,496,393 B2 | 2/2009  | Diab et al.              | 8,130,105 B2 | 3/2012  | Al-Ali et al.            |
| D587,657 S   | 3/2009  | Al-Ali et al.            | 8,145,287 B2 | 3/2012  | Diab et al.              |
| 7,499,741 B2 | 3/2009  | Diab et al.              | 8,150,487 B2 | 4/2012  | Diab et al.              |
| 7,499,835 B2 | 3/2009  | Weber et al.             | 8,175,672 B2 | 5/2012  | Parker                   |
| 7,500,950 B2 | 3/2009  | Al-Ali et al.            | 8,180,420 B2 | 5/2012  | Diab et al.              |
| 7,509,154 B2 | 3/2009  | Diab et al.              | 8,182,443 B1 | 5/2012  | Kiani                    |
| 7,509,494 B2 | 3/2009  | Al-Ali                   | 8,185,180 B2 | 5/2012  | Diab et al.              |
| 7,510,849 B2 | 3/2009  | Schurman et al.          | 8,190,223 B2 | 5/2012  | Al-Ali et al.            |
| 7,526,328 B2 | 4/2009  | Diab et al.              | 8,190,227 B2 | 5/2012  | Diab et al.              |
| 7,530,942 B1 | 5/2009  | Diab                     | 8,203,438 B2 | 6/2012  | Kiani et al.             |
| 7,530,949 B2 | 5/2009  | Al Ali et al.            | 8,203,704 B2 | 6/2012  | Merritt et al.           |
| 7,530,955 B2 | 5/2009  | Diab et al.              | 8,204,566 B2 | 6/2012  | Schurman et al.          |
| 7,563,110 B2 | 7/2009  | Al-Ali et al.            | 8,219,172 B2 | 7/2012  | Schurman et al.          |
| 7,596,398 B2 | 9/2009  | Al-Ali et al.            | 8,224,411 B2 | 7/2012  | Al-Ali et al.            |
| 7,618,375 B2 | 11/2009 | Flaherty                 | 8,228,181 B2 | 7/2012  | Al-Ali                   |
| D606,659 S   | 12/2009 | Kiani et al.             | 8,229,533 B2 | 7/2012  | Diab et al.              |
| 7,647,083 B2 | 1/2010  | Al-Ali et al.            | 8,233,955 B2 | 7/2012  | Al-Ali et al.            |
| D609,193 S   | 2/2010  | Al-Ali et al.            | 8,244,325 B2 | 8/2012  | Al-Ali et al.            |
| D614,305 S   | 4/2010  | Al-Ali et al.            | 8,255,026 B1 | 8/2012  | Al-Ali                   |
| RE41,317 E   | 5/2010  | Parker                   | 8,255,027 B2 | 8/2012  | Al-Ali et al.            |
| 7,729,733 B2 | 6/2010  | Al-Ali et al.            | 8,255,028 B2 | 8/2012  | Al-Ali et al.            |
| 7,734,320 B2 | 6/2010  | Al-Ali                   | 8,260,577 B2 | 9/2012  | Weber et al.             |
| 7,761,127 B2 | 7/2010  | Al-Ali et al.            | 8,265,723 B1 | 9/2012  | McHale et al.            |
| 7,761,128 B2 | 7/2010  | Al-Ali et al.            | 8,274,360 B2 | 9/2012  | Sampath et al.           |
|              |         |                          | 8,280,473 B2 | 10/2012 | Al-Ali                   |
|              |         |                          | 8,301,217 B2 | 10/2012 | Al-Ali et al.            |
|              |         |                          | 8,306,596 B2 | 11/2012 | Schurman et al.          |
|              |         |                          | 8,310,336 B2 | 11/2012 | Muhsin et al.            |

(56)

## References Cited

## U.S. PATENT DOCUMENTS

|              |         |                      |              |         |                      |
|--------------|---------|----------------------|--------------|---------|----------------------|
| 8,315,683 B2 | 11/2012 | Al-Ali et al.        | 8,712,494 B1 | 4/2014  | MacNeish, III et al. |
| RE43,860 E   | 12/2012 | Parker               | 8,715,206 B2 | 5/2014  | Telfort et al.       |
| 8,337,403 B2 | 12/2012 | Al-Ali et al.        | 8,718,735 B2 | 5/2014  | Lamego et al.        |
| 8,346,330 B2 | 1/2013  | Lamego               | 8,718,737 B2 | 5/2014  | Diab et al.          |
| 8,353,842 B2 | 1/2013  | Al-Ali et al.        | 8,718,738 B2 | 5/2014  | Blank et al.         |
| 8,355,766 B2 | 1/2013  | MacNeish, III et al. | 8,720,249 B2 | 5/2014  | Al-Ali               |
| 8,359,080 B2 | 1/2013  | Diab et al.          | 8,721,541 B2 | 5/2014  | Al-Ali et al.        |
| 8,364,223 B2 | 1/2013  | Al-Ali et al.        | 8,721,542 B2 | 5/2014  | Al-Ali et al.        |
| 8,364,226 B2 | 1/2013  | Diab et al.          | 8,723,677 B1 | 5/2014  | Kiani                |
| 8,374,665 B2 | 2/2013  | Lamego               | 8,740,792 B1 | 6/2014  | Kiani et al.         |
| 8,385,995 B2 | 2/2013  | Al-Ali et al.        | 8,754,776 B2 | 6/2014  | Poeze et al.         |
| 8,385,996 B2 | 2/2013  | Smith et al.         | 8,755,535 B2 | 6/2014  | Telfort et al.       |
| 8,388,353 B2 | 3/2013  | Kiani                | 8,755,856 B2 | 6/2014  | Diab et al.          |
| 8,399,822 B2 | 3/2013  | Al-Ali               | 8,755,872 B1 | 6/2014  | Marinow              |
| 8,401,602 B2 | 3/2013  | Kiani                | 8,761,850 B2 | 6/2014  | Lamego               |
| 8,405,608 B2 | 3/2013  | Al-Ali et al.        | 8,764,671 B2 | 7/2014  | Kiani                |
| 8,414,499 B2 | 4/2013  | Al-Ali et al.        | 8,768,423 B2 | 7/2014  | Shakespeare et al.   |
| 8,418,524 B2 | 4/2013  | Al-Ali               | 8,771,204 B2 | 7/2014  | Telfort et al.       |
| 8,423,106 B2 | 4/2013  | Lamego et al.        | 8,777,634 B2 | 7/2014  | Kiani et al.         |
| 8,428,967 B2 | 4/2013  | Olsen et al.         | 8,781,543 B2 | 7/2014  | Diab et al.          |
| 8,430,817 B1 | 4/2013  | Al-Ali et al.        | 8,781,544 B2 | 7/2014  | Al-Ali et al.        |
| 8,437,825 B2 | 5/2013  | Dalvi et al.         | 8,781,549 B2 | 7/2014  | Al-Ali et al.        |
| 8,455,290 B2 | 6/2013  | Siskavich            | 8,788,003 B2 | 7/2014  | Schurman et al.      |
| 8,457,703 B2 | 6/2013  | Al-Ali               | 8,790,268 B2 | 7/2014  | Al-Ali               |
| 8,457,707 B2 | 6/2013  | Kiani                | 8,801,613 B2 | 8/2014  | Al-Ali et al.        |
| 8,463,349 B2 | 6/2013  | Diab et al.          | 8,821,397 B2 | 9/2014  | Al-Ali et al.        |
| 8,466,286 B2 | 6/2013  | Bellot et al.        | 8,821,415 B2 | 9/2014  | Al-Ali et al.        |
| 8,471,713 B2 | 6/2013  | Poeze et al.         | 8,830,449 B1 | 9/2014  | Lamego et al.        |
| 8,473,020 B2 | 6/2013  | Kiani et al.         | 8,831,700 B2 | 9/2014  | Schurman et al.      |
| 8,483,787 B2 | 7/2013  | Al-Ali et al.        | 8,840,549 B2 | 9/2014  | Al-Ali et al.        |
| 8,489,364 B2 | 7/2013  | Weber et al.         | 8,847,740 B2 | 9/2014  | Kiani et al.         |
| 8,498,684 B2 | 7/2013  | Weber et al.         | 8,849,365 B2 | 9/2014  | Smith et al.         |
| 8,504,128 B2 | 8/2013  | Blank et al.         | 8,852,094 B2 | 10/2014 | Al-Ali et al.        |
| 8,509,867 B2 | 8/2013  | Workman et al.       | 8,852,994 B2 | 10/2014 | Wojtczuk et al.      |
| 8,515,509 B2 | 8/2013  | Bruinsma et al.      | 8,868,147 B2 | 10/2014 | Stippick et al.      |
| 8,523,781 B2 | 9/2013  | Al-Ali               | 8,868,150 B2 | 10/2014 | Al-Ali et al.        |
| 8,529,301 B2 | 9/2013  | Al-Ali et al.        | 8,870,792 B2 | 10/2014 | Al-Ali et al.        |
| 8,532,727 B2 | 9/2013  | Ali et al.           | 8,886,271 B2 | 11/2014 | Kiani et al.         |
| 8,532,728 B2 | 9/2013  | Diab et al.          | 8,888,539 B2 | 11/2014 | Al-Ali et al.        |
| D692,145 S   | 10/2013 | Al-Ali et al.        | 8,888,708 B2 | 11/2014 | Diab et al.          |
| 8,547,209 B2 | 10/2013 | Kiani et al.         | 8,892,180 B2 | 11/2014 | Weber et al.         |
| 8,548,548 B2 | 10/2013 | Al-Ali               | 8,897,847 B2 | 11/2014 | Al-Ali               |
| 8,548,549 B2 | 10/2013 | Schurman et al.      | 8,909,310 B2 | 12/2014 | Lamego et al.        |
| 8,548,550 B2 | 10/2013 | Al-Ali et al.        | 8,911,377 B2 | 12/2014 | Al-Ali               |
| 8,560,032 B2 | 10/2013 | Al-Ali et al.        | 8,912,909 B2 | 12/2014 | Al-Ali et al.        |
| 8,560,034 B1 | 10/2013 | Diab et al.          | 8,920,317 B2 | 12/2014 | Al-Ali et al.        |
| 8,570,167 B2 | 10/2013 | Al-Ali               | 8,921,699 B2 | 12/2014 | Al-Ali et al.        |
| 8,570,503 B2 | 10/2013 | Vo et al.            | 8,922,382 B2 | 12/2014 | Al-Ali et al.        |
| 8,571,617 B2 | 10/2013 | Reichgott et al.     | 8,929,964 B2 | 1/2015  | Al-Ali et al.        |
| 8,571,618 B1 | 10/2013 | Lamego et al.        | 8,942,777 B2 | 1/2015  | Diab et al.          |
| 8,571,619 B2 | 10/2013 | Al-Ali et al.        | 8,948,834 B2 | 2/2015  | Diab et al.          |
| 8,577,431 B2 | 11/2013 | Lamego et al.        | 8,948,835 B2 | 2/2015  | Diab                 |
| 8,581,732 B2 | 11/2013 | Al-Ali et al.        | 8,965,471 B2 | 2/2015  | Lamego               |
| 8,584,345 B2 | 11/2013 | Al-Ali et al.        | 8,983,564 B2 | 3/2015  | Al-Ali               |
| 8,588,880 B2 | 11/2013 | Abdul-Hafiz et al.   | 8,989,831 B2 | 3/2015  | Al-Ali et al.        |
| 8,600,467 B2 | 12/2013 | Al-Ali et al.        | 8,996,085 B2 | 3/2015  | Kiani et al.         |
| 8,606,342 B2 | 12/2013 | Diab                 | 8,998,809 B2 | 4/2015  | Kiani                |
| 8,626,255 B2 | 1/2014  | Al-Ali et al.        | 9,028,429 B2 | 5/2015  | Telfort et al.       |
| 8,630,691 B2 | 1/2014  | Lamego et al.        | 9,037,207 B2 | 5/2015  | Al-Ali et al.        |
| 8,634,889 B2 | 1/2014  | Al-Ali et al.        | 9,060,721 B2 | 6/2015  | Reichgott et al.     |
| 8,641,631 B2 | 2/2014  | Sierra et al.        | 9,066,666 B2 | 6/2015  | Kiani                |
| 8,652,060 B2 | 2/2014  | Al-Ali               | 9,066,680 B1 | 6/2015  | Al-Ali et al.        |
| 8,663,107 B2 | 3/2014  | Kiani                | 9,072,474 B2 | 7/2015  | Al-Ali et al.        |
| 8,666,468 B1 | 3/2014  | Al-Ali               | 9,078,560 B2 | 7/2015  | Schurman et al.      |
| 8,667,967 B2 | 3/2014  | Al-Ali et al.        | 9,084,569 B2 | 7/2015  | Weber et al.         |
| 8,670,811 B2 | 3/2014  | O'Reilly             | 9,095,316 B2 | 8/2015  | Welch et al.         |
| 8,670,814 B2 | 3/2014  | Diab et al.          | 9,106,038 B2 | 8/2015  | Telfort et al.       |
| 8,676,286 B2 | 3/2014  | Weber et al.         | 9,107,625 B2 | 8/2015  | Telfort et al.       |
| 8,682,407 B2 | 3/2014  | Al-Ali               | 9,107,626 B2 | 8/2015  | Al-Ali et al.        |
| RE44,823 E   | 4/2014  | Parker               | 9,113,831 B2 | 8/2015  | Al-Ali               |
| RE44,875 E   | 4/2014  | Kiani et al.         | 9,113,832 B2 | 8/2015  | Al-Ali               |
| 8,690,799 B2 | 4/2014  | Telfort et al.       | 9,119,595 B2 | 9/2015  | Lamego               |
| 8,700,112 B2 | 4/2014  | Kiani                | 9,131,881 B2 | 9/2015  | Diab et al.          |
| 8,702,627 B2 | 4/2014  | Telfort et al.       | 9,131,882 B2 | 9/2015  | Al-Ali et al.        |
| 8,706,179 B2 | 4/2014  | Parker               | 9,131,883 B2 | 9/2015  | Al-Ali               |
|              |         |                      | 9,131,917 B2 | 9/2015  | Telfort et al.       |
|              |         |                      | 9,138,180 B1 | 9/2015  | Coverston et al.     |
|              |         |                      | 9,138,182 B2 | 9/2015  | Al-Ali et al.        |
|              |         |                      | 9,138,192 B2 | 9/2015  | Weber et al.         |

(56)

References Cited

U.S. PATENT DOCUMENTS

|                |         |                         |                   |         |                                       |
|----------------|---------|-------------------------|-------------------|---------|---------------------------------------|
| 9,142,117 B2   | 9/2015  | Muhsin et al.           | 9,693,737 B2      | 7/2017  | Al-Ali                                |
| 9,153,112 B1   | 10/2015 | Kiani et al.            | 9,697,928 B2      | 7/2017  | Al-Ali et al.                         |
| 9,153,121 B2   | 10/2015 | Kiani et al.            | 9,717,425 B2      | 8/2017  | Kiani et al.                          |
| 9,161,696 B2   | 10/2015 | Al-Ali et al.           | 9,717,458 B2      | 8/2017  | Lamego et al.                         |
| 9,161,713 B2   | 10/2015 | Al-Ali et al.           | 9,724,016 B1      | 8/2017  | Al-Ali et al.                         |
| 9,167,995 B2   | 10/2015 | Lamego et al.           | 9,724,024 B2      | 8/2017  | Al-Ali                                |
| 9,176,141 B2   | 11/2015 | Al-Ali et al.           | 9,724,025 B1      | 8/2017  | Kiani et al.                          |
| 9,186,102 B2   | 11/2015 | Bruinsma et al.         | 9,730,640 B2      | 8/2017  | Diab et al.                           |
| 9,192,312 B2   | 11/2015 | Al-Ali                  | 9,743,887 B2      | 8/2017  | Al-Ali et al.                         |
| 9,192,329 B2   | 11/2015 | Al-Ali                  | 9,749,232 B2      | 8/2017  | Sampath et al.                        |
| 9,192,351 B1   | 11/2015 | Telfort et al.          | 9,750,442 B2      | 9/2017  | Olsen                                 |
| 9,195,385 B2   | 11/2015 | Al-Ali et al.           | 9,750,443 B2      | 9/2017  | Smith et al.                          |
| 9,211,072 B2   | 12/2015 | Kiani                   | 9,750,461 B1      | 9/2017  | Telfort                               |
| 9,211,095 B1   | 12/2015 | Al-Ali                  | 9,775,545 B2      | 10/2017 | Al-Ali et al.                         |
| 9,218,454 B2   | 12/2015 | Kiani et al.            | 9,775,546 B2      | 10/2017 | Diab et al.                           |
| 9,226,696 B2   | 1/2016  | Kiani                   | 9,775,570 B2      | 10/2017 | Al-Ali                                |
| 9,241,662 B2   | 1/2016  | Al-Ali et al.           | 9,778,079 B1      | 10/2017 | Al-Ali et al.                         |
| 9,245,668 B1   | 1/2016  | Vo et al.               | 9,782,077 B2      | 10/2017 | Lamego et al.                         |
| 9,259,185 B2   | 2/2016  | Abdul-Hafiz et al.      | 9,782,110 B2      | 10/2017 | Kiani                                 |
| 9,267,572 B2   | 2/2016  | Barker et al.           | 9,787,568 B2      | 10/2017 | Lamego et al.                         |
| 9,277,880 B2   | 3/2016  | Poeze et al.            | 9,788,735 B2      | 10/2017 | Al-Ali                                |
| 9,289,167 B2   | 3/2016  | Diab et al.             | 9,788,768 B2      | 10/2017 | Al-Ali et al.                         |
| 9,295,421 B2   | 3/2016  | Kiani et al.            | 9,795,300 B2      | 10/2017 | Al-Ali                                |
| 9,307,928 B1   | 4/2016  | Al-Ali et al.           | 9,795,310 B2      | 10/2017 | Al-Ali                                |
| 9,323,894 B2   | 4/2016  | Kiani                   | 9,795,358 B2      | 10/2017 | Telfort et al.                        |
| D755,392 S     | 5/2016  | Hwang et al.            | 9,795,739 B2      | 10/2017 | Al-Ali et al.                         |
| 9,326,712 B1   | 5/2016  | Kiani                   | 9,801,556 B2      | 10/2017 | Kiani                                 |
| 9,333,316 B2   | 5/2016  | Kiani                   | 9,801,588 B2      | 10/2017 | Weber et al.                          |
| 9,339,220 B2   | 5/2016  | Lamego et al.           | 9,808,188 B1      | 11/2017 | Perea et al.                          |
| 9,341,565 B2   | 5/2016  | Lamego et al.           | 9,814,418 B2      | 11/2017 | Weber et al.                          |
| 9,351,673 B2   | 5/2016  | Diab et al.             | 9,820,691 B2      | 11/2017 | Kiani                                 |
| 9,351,675 B2   | 5/2016  | Al-Ali et al.           | 9,833,152 B2      | 12/2017 | Kiani et al.                          |
| 9,364,181 B2   | 6/2016  | Kiani et al.            | 9,833,180 B2      | 12/2017 | Shakespeare et al.                    |
| 9,368,671 B2   | 6/2016  | Wojtczuk et al.         | 9,839,379 B2      | 12/2017 | Al-Ali et al.                         |
| 9,370,325 B2   | 6/2016  | Al-Ali et al.           | 9,839,381 B1      | 12/2017 | Weber et al.                          |
| 9,370,326 B2   | 6/2016  | McHale et al.           | 9,847,002 B2 *    | 12/2017 | Kiani ..... A61B 5/6898               |
| 9,370,335 B2   | 6/2016  | Al-Ali et al.           | 9,847,749 B2      | 12/2017 | Kiani et al.                          |
| 9,375,185 B2   | 6/2016  | Ali et al.              | 9,848,800 B1      | 12/2017 | Lee et al.                            |
| 9,386,953 B2   | 7/2016  | Al-Ali                  | 9,848,806 B2      | 12/2017 | Al-Ali et al.                         |
| 9,386,961 B2   | 7/2016  | Al-Ali et al.           | 9,848,807 B2      | 12/2017 | Lamego                                |
| 9,392,945 B2   | 7/2016  | Al-Ali et al.           | 9,861,298 B2      | 1/2018  | Eckerbom et al.                       |
| 9,397,448 B2   | 7/2016  | Al-Ali et al.           | 9,861,304 B2      | 1/2018  | Al-Ali et al.                         |
| 9,408,542 B1   | 8/2016  | Kinast et al.           | 9,861,305 B1      | 1/2018  | Weber et al.                          |
| 9,436,645 B2 * | 9/2016  | Al-Ali ..... A61B 5/002 | 9,867,578 B2      | 1/2018  | Al-Ali et al.                         |
| 9,445,759 B1   | 9/2016  | Lamego et al.           | 9,872,623 B2      | 1/2018  | Al-Ali                                |
| 9,466,919 B2   | 10/2016 | Kiani et al.            | 9,876,320 B2      | 1/2018  | Coverston et al.                      |
| 9,474,474 B2   | 10/2016 | Lamego et al.           | 9,877,650 B2      | 1/2018  | Muhsin et al.                         |
| 9,480,422 B2   | 11/2016 | Al-Ali                  | 9,877,686 B2      | 1/2018  | Al-Ali et al.                         |
| 9,480,435 B2   | 11/2016 | Olsen                   | 9,891,079 B2      | 2/2018  | Dalvi                                 |
| 9,492,110 B2   | 11/2016 | Al-Ali et al.           | 9,895,107 B2      | 2/2018  | Al-Ali et al.                         |
| 9,510,779 B2   | 12/2016 | Poeze et al.            | 9,924,893 B2      | 3/2018  | Schurman et al.                       |
| 9,517,024 B2   | 12/2016 | Kiani et al.            | 9,924,897 B1      | 3/2018  | Abdul-Hafiz                           |
| 9,532,722 B2   | 1/2017  | Lamego et al.           | 2006/0161054 A1   | 7/2006  | Reuss et al.                          |
| 9,538,949 B2   | 1/2017  | Al-Ali et al.           | 2007/0282478 A1   | 12/2007 | Al-Ali et al.                         |
| 9,538,980 B2   | 1/2017  | Telfort et al.          | 2009/0247984 A1   | 10/2009 | Lamego et al.                         |
| 9,549,696 B2   | 1/2017  | Lamego et al.           | 2009/0275813 A1   | 11/2009 | Davis                                 |
| 9,554,737 B2   | 1/2017  | Schurman et al.         | 2009/0275844 A1   | 11/2009 | Al-Ali                                |
| 9,560,996 B2   | 2/2017  | Kiani                   | 2010/0004518 A1   | 1/2010  | Vo et al.                             |
| 9,560,998 B2   | 2/2017  | Al-Ali et al.           | 2010/0030040 A1   | 2/2010  | Poeze et al.                          |
| 9,566,019 B2   | 2/2017  | Al-Ali et al.           | 2011/0054267 A1 * | 3/2011  | Fidacaro ..... A61B 5/0002<br>600/300 |
| 9,579,039 B2   | 2/2017  | Jansen et al.           | 2011/0082711 A1   | 4/2011  | Poeze et al.                          |
| 9,591,975 B2   | 3/2017  | Dalvi et al.            | 2011/0105854 A1   | 5/2011  | Kiani et al.                          |
| 9,622,692 B2   | 4/2017  | Lamego et al.           | 2011/0125060 A1   | 5/2011  | Telfort et al.                        |
| 9,622,693 B2   | 4/2017  | Diab                    | 2011/0208015 A1   | 8/2011  | Welch et al.                          |
| D788,312 S *   | 5/2017  | Al-Ali ..... D24/186    | 2011/0230733 A1   | 9/2011  | Al-Ali                                |
| 9,636,055 B2   | 5/2017  | Al-Ali et al.           | 2012/0165629 A1   | 6/2012  | Merritt et al.                        |
| 9,636,056 B2   | 5/2017  | Al-Ali                  | 2012/0209082 A1   | 8/2012  | Al-Ali                                |
| 9,649,054 B2   | 5/2017  | Lamego et al.           | 2012/0209084 A1   | 8/2012  | Olsen et al.                          |
| 9,662,052 B2   | 5/2017  | Al-Ali et al.           | 2012/0283524 A1   | 11/2012 | Kiani et al.                          |
| 9,668,679 B2   | 6/2017  | Schurman et al.         | 2012/0319816 A1   | 12/2012 | Al-Ali                                |
| 9,668,680 B2   | 6/2017  | Bruinsma et al.         | 2013/0023775 A1   | 1/2013  | Lamego et al.                         |
| 9,668,703 B2   | 6/2017  | Al-Ali                  | 2013/0041591 A1   | 2/2013  | Lamego                                |
| 9,675,286 B2   | 6/2017  | Diab                    | 2013/0060147 A1   | 3/2013  | Welch et al.                          |
| 9,687,160 B2   | 6/2017  | Kiani                   | 2013/0096405 A1   | 4/2013  | Garfio                                |
| 9,693,719 B2   | 7/2017  | Al-Ali et al.           | 2013/0096936 A1   | 4/2013  | Sampath et al.                        |
|                |         |                         | 2013/0243021 A1   | 9/2013  | Siskavich                             |
|                |         |                         | 2013/0253334 A1   | 9/2013  | Al-Ali et al.                         |

(56)

References Cited

U.S. PATENT DOCUMENTS

|              |     |         |                    |                           |              |    |         |                    |
|--------------|-----|---------|--------------------|---------------------------|--------------|----|---------|--------------------|
| 2013/0262730 | A1* | 10/2013 | Al-Ali .....       | A61B 5/0002<br>710/303    | 2016/0058347 | A1 | 3/2016  | Reichgott et al.   |
| 2013/0296672 | A1  | 11/2013 | O'Neil et al.      |                           | 2016/0066824 | A1 | 3/2016  | Al-Ali et al.      |
| 2013/0296713 | A1  | 11/2013 | Al-Ali et al.      |                           | 2016/0081552 | A1 | 3/2016  | Wojtczuk et al.    |
| 2013/0324808 | A1  | 12/2013 | Al-Ali et al.      |                           | 2016/0095543 | A1 | 4/2016  | Telfort et al.     |
| 2013/0331660 | A1  | 12/2013 | Al-Ali et al.      |                           | 2016/0095548 | A1 | 4/2016  | Al-Ali et al.      |
| 2014/0012100 | A1  | 1/2014  | Al-Ali et al.      |                           | 2016/0103598 | A1 | 4/2016  | Al-Ali et al.      |
| 2014/0051953 | A1  | 2/2014  | Lamego et al.      |                           | 2016/0143548 | A1 | 5/2016  | Al-Ali             |
| 2014/0081175 | A1  | 3/2014  | Telfort            |                           | 2016/0166182 | A1 | 6/2016  | Al-Ali et al.      |
| 2014/0120564 | A1  | 5/2014  | Workman et al.     |                           | 2016/0166183 | A1 | 6/2016  | Poeze et al.       |
| 2014/0121482 | A1  | 5/2014  | Merritt et al.     |                           | 2016/0192869 | A1 | 7/2016  | Kiani et al.       |
| 2014/0127137 | A1  | 5/2014  | Bellott et al.     |                           | 2016/0196388 | A1 | 7/2016  | Lamego             |
| 2014/0135588 | A1  | 5/2014  | Al-Ali et al.      |                           | 2016/0197436 | A1 | 7/2016  | Barker et al.      |
| 2014/0163344 | A1  | 6/2014  | Al-Ali             |                           | 2016/0213281 | A1 | 7/2016  | Eckerbom et al.    |
| 2014/0163402 | A1  | 6/2014  | Lamego et al.      |                           | 2016/0228043 | A1 | 8/2016  | O'Neil et al.      |
| 2014/0166076 | A1  | 6/2014  | Kiani et al.       |                           | 2016/0233632 | A1 | 8/2016  | Scruggs et al.     |
| 2014/0171763 | A1  | 6/2014  | Diab               |                           | 2016/0234944 | A1 | 8/2016  | Schmidt et al.     |
| 2014/0180038 | A1  | 6/2014  | Kiani              |                           | 2016/0270735 | A1 | 9/2016  | Diab et al.        |
| 2014/0180154 | A1  | 6/2014  | Sierra et al.      |                           | 2016/0283665 | A1 | 9/2016  | Sampath et al.     |
| 2014/0180160 | A1  | 6/2014  | Brown et al.       |                           | 2016/0287090 | A1 | 10/2016 | Al-Ali et al.      |
| 2014/0187973 | A1  | 7/2014  | Brown et al.       |                           | 2016/0287786 | A1 | 10/2016 | Kiani              |
| 2014/0213864 | A1  | 7/2014  | Abdul-Hafiz et al. |                           | 2016/0296169 | A1 | 10/2016 | McHale et al.      |
| 2014/0266790 | A1  | 9/2014  | Al-Ali et al.      |                           | 2016/0310052 | A1 | 10/2016 | Al-Ali et al.      |
| 2014/0275808 | A1  | 9/2014  | Poeze et al.       |                           | 2016/0314260 | A1 | 10/2016 | Kiani              |
| 2014/0275835 | A1  | 9/2014  | Lamego et al.      |                           | 2016/0324486 | A1 | 11/2016 | Al-Ali et al.      |
| 2014/0275871 | A1  | 9/2014  | Lamego et al.      |                           | 2016/0324488 | A1 | 11/2016 | Olsen              |
| 2014/0275872 | A1  | 9/2014  | Merritt et al.     |                           | 2016/0327984 | A1 | 11/2016 | Al-Ali et al.      |
| 2014/0276115 | A1  | 9/2014  | Dalvi et al.       |                           | 2016/0328528 | A1 | 11/2016 | Al-Ali et al.      |
| 2014/0288400 | A1  | 9/2014  | Diab et al.        |                           | 2016/0331332 | A1 | 11/2016 | Al-Ali             |
| 2014/0316217 | A1  | 10/2014 | Purdon et al.      |                           | 2016/0367173 | A1 | 12/2016 | Dalvi et al.       |
| 2014/0316218 | A1  | 10/2014 | Purdon et al.      |                           | 2017/0000394 | A1 | 1/2017  | Al-Ali et al.      |
| 2014/0316228 | A1  | 10/2014 | Blank et al.       |                           | 2017/0007134 | A1 | 1/2017  | Al-Ali et al.      |
| 2014/0323825 | A1  | 10/2014 | Al-Ali et al.      |                           | 2017/0007198 | A1 | 1/2017  | Al-Ali et al.      |
| 2014/0323897 | A1  | 10/2014 | Brown et al.       |                           | 2017/0014083 | A1 | 1/2017  | Diab et al.        |
| 2014/0323898 | A1  | 10/2014 | Purdon et al.      |                           | 2017/0014084 | A1 | 1/2017  | Al-Ali et al.      |
| 2014/0330092 | A1  | 11/2014 | Al-Ali et al.      |                           | 2017/0027456 | A1 | 2/2017  | Kinast et al.      |
| 2014/0330098 | A1  | 11/2014 | Merritt et al.     |                           | 2017/0042488 | A1 | 2/2017  | Muhsin             |
| 2014/0357966 | A1  | 12/2014 | Al-Ali et al.      |                           | 2017/0055851 | A1 | 3/2017  | Al-Ali             |
| 2015/0005600 | A1  | 1/2015  | Blank et al.       |                           | 2017/0055882 | A1 | 3/2017  | Al-Ali et al.      |
| 2015/0011907 | A1  | 1/2015  | Purdon et al.      |                           | 2017/0055887 | A1 | 3/2017  | Al-Ali             |
| 2015/0012231 | A1  | 1/2015  | Poeze et al.       |                           | 2017/0055896 | A1 | 3/2017  | Al-Ali et al.      |
| 2015/0032029 | A1  | 1/2015  | Al-Ali et al.      |                           | 2017/0079594 | A1 | 3/2017  | Telfort et al.     |
| 2015/0038859 | A1  | 2/2015  | Dalvi et al.       |                           | 2017/0086723 | A1 | 3/2017  | Al-Ali et al.      |
| 2015/0080754 | A1  | 3/2015  | Purdon et al.      |                           | 2017/0143281 | A1 | 5/2017  | Olsen              |
| 2015/0087936 | A1  | 3/2015  | Al-Ali et al.      |                           | 2017/0147774 | A1 | 5/2017  | Kiani              |
| 2015/0094546 | A1  | 4/2015  | Al-Ali             |                           | 2017/0156620 | A1 | 6/2017  | Al-Ali et al.      |
| 2015/0097701 | A1* | 4/2015  | Al-Ali .....       | A61B 5/0002<br>340/870.07 | 2017/0173632 | A1 | 6/2017  | Al-Ali             |
| 2015/0099950 | A1  | 4/2015  | Al-Ali et al.      |                           | 2017/0187146 | A1 | 6/2017  | Kiani et al.       |
| 2015/0099955 | A1  | 4/2015  | Al-Ali et al.      |                           | 2017/0188919 | A1 | 7/2017  | Al-Ali et al.      |
| 2015/0101844 | A1  | 4/2015  | Al-Ali et al.      |                           | 2017/0196464 | A1 | 7/2017  | Jansen et al.      |
| 2015/0106121 | A1  | 4/2015  | Muhsin et al.      |                           | 2017/0196470 | A1 | 7/2017  | Lamego et al.      |
| 2015/0112151 | A1  | 4/2015  | Muhsin et al.      |                           | 2017/0202490 | A1 | 7/2017  | Al-Ali et al.      |
| 2015/0116076 | A1  | 4/2015  | Al-Ali et al.      |                           | 2017/0224262 | A1 | 8/2017  | Al-Ali             |
| 2015/0165312 | A1  | 6/2015  | Kiani              |                           | 2017/0228516 | A1 | 8/2017  | Sampath et al.     |
| 2015/0196249 | A1  | 7/2015  | Brown et al.       |                           | 2017/0245790 | A1 | 8/2017  | Al-Ali et al.      |
| 2015/0216459 | A1  | 8/2015  | Al-Ali et al.      |                           | 2017/0251974 | A1 | 9/2017  | Shreim et al.      |
| 2015/0238722 | A1  | 8/2015  | Al-Ali             |                           | 2017/0251975 | A1 | 9/2017  | Shreim et al.      |
| 2015/0245773 | A1  | 9/2015  | Lamego et al.      |                           | 2017/0258403 | A1 | 9/2017  | Abdul-Hafiz et al. |
| 2015/0245794 | A1  | 9/2015  | Al-Ali             |                           | 2017/0311891 | A1 | 11/2017 | Kiani et al.       |
| 2015/0257689 | A1  | 9/2015  | Al-Ali et al.      |                           | 2017/0325728 | A1 | 11/2017 | Al-Ali et al.      |
| 2015/0272514 | A1  | 10/2015 | Kiani et al.       |                           | 2017/0332976 | A1 | 11/2017 | Al-Ali et al.      |
| 2015/0351697 | A1  | 12/2015 | Weber et al.       |                           | 2017/0340293 | A1 | 11/2017 | Al-Ali et al.      |
| 2015/0359429 | A1  | 12/2015 | Al-Ali et al.      |                           | 2017/0360310 | A1 | 12/2017 | Kiani et al.       |
| 2015/0366507 | A1  | 12/2015 | Blank              |                           | 2017/0367632 | A1 | 12/2017 | Al-Ali et al.      |
| 2016/0029932 | A1  | 2/2016  | Al-Ali             |                           | 2018/0008146 | A1 | 1/2018  | Al-Ali et al.      |
| 2016/0055740 | A1* | 2/2016  | Fuchs .....        | A61B 5/7495<br>340/8.1    | 2018/0014752 | A1 | 1/2018  | Al-Ali et al.      |
|              |     |         |                    |                           | 2018/0028124 | A1 | 2/2018  | Al-Ali et al.      |
|              |     |         |                    |                           | 2018/0055385 | A1 | 3/2018  | Al-Ali             |
|              |     |         |                    |                           | 2018/0055390 | A1 | 3/2018  | Kiani et al.       |
|              |     |         |                    |                           | 2018/0055430 | A1 | 3/2018  | Diab et al.        |
|              |     |         |                    |                           | 2018/0064381 | A1 | 3/2018  | Shakespeare et al. |
|              |     |         |                    |                           | 2018/0069776 | A1 | 3/2018  | Lamego et al.      |

\* cited by examiner

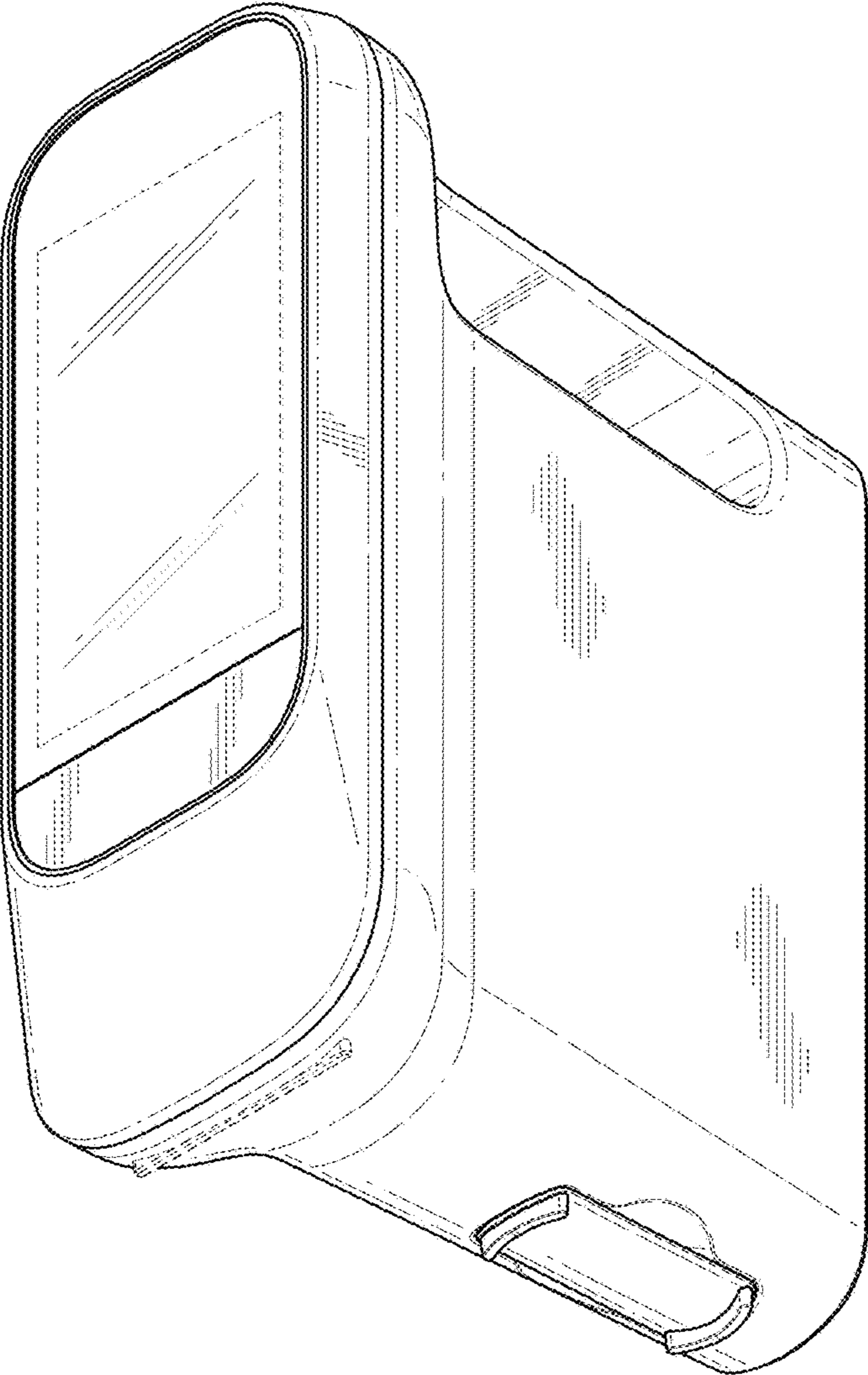


FIG. 1

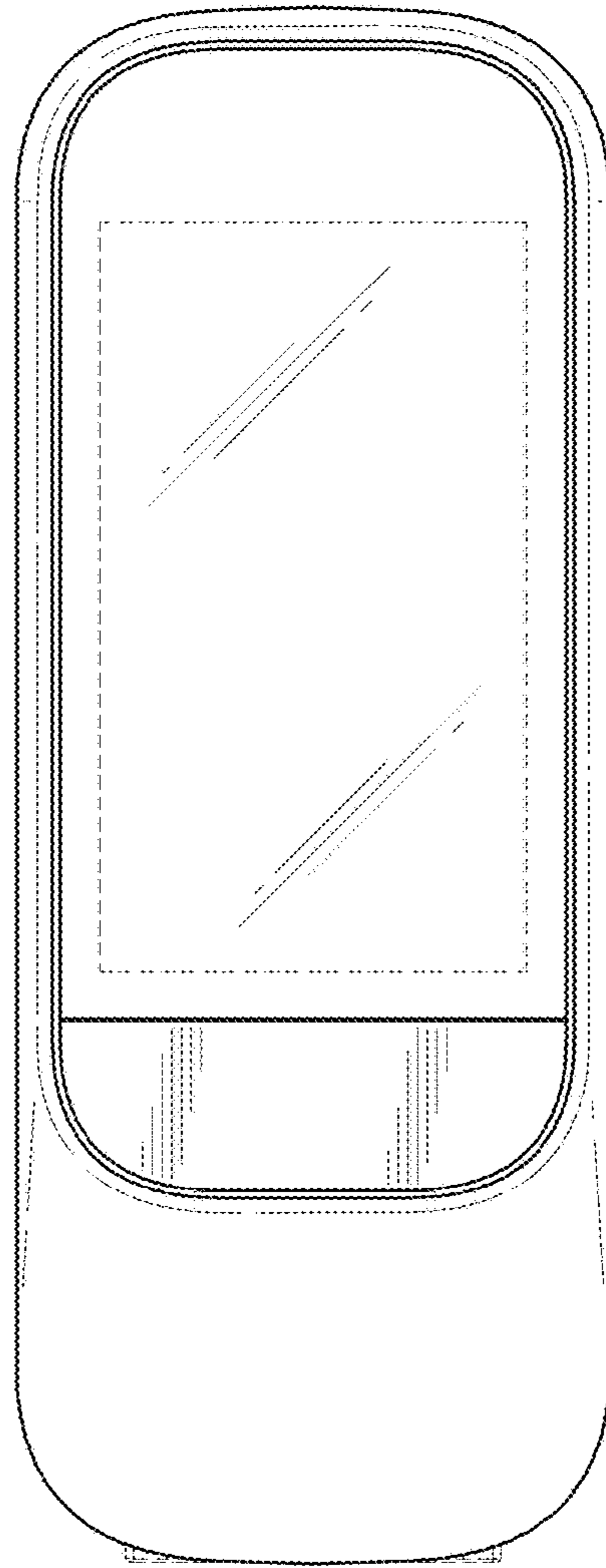


FIG. 2



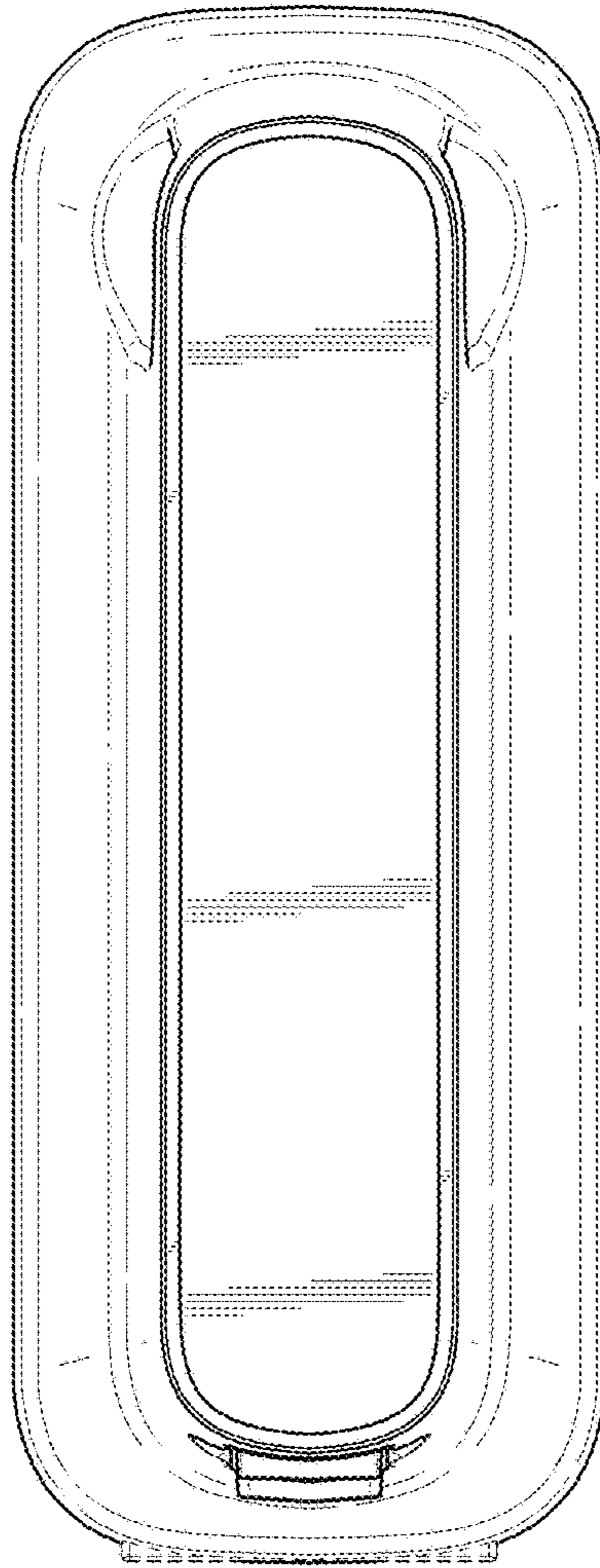


FIG. 3

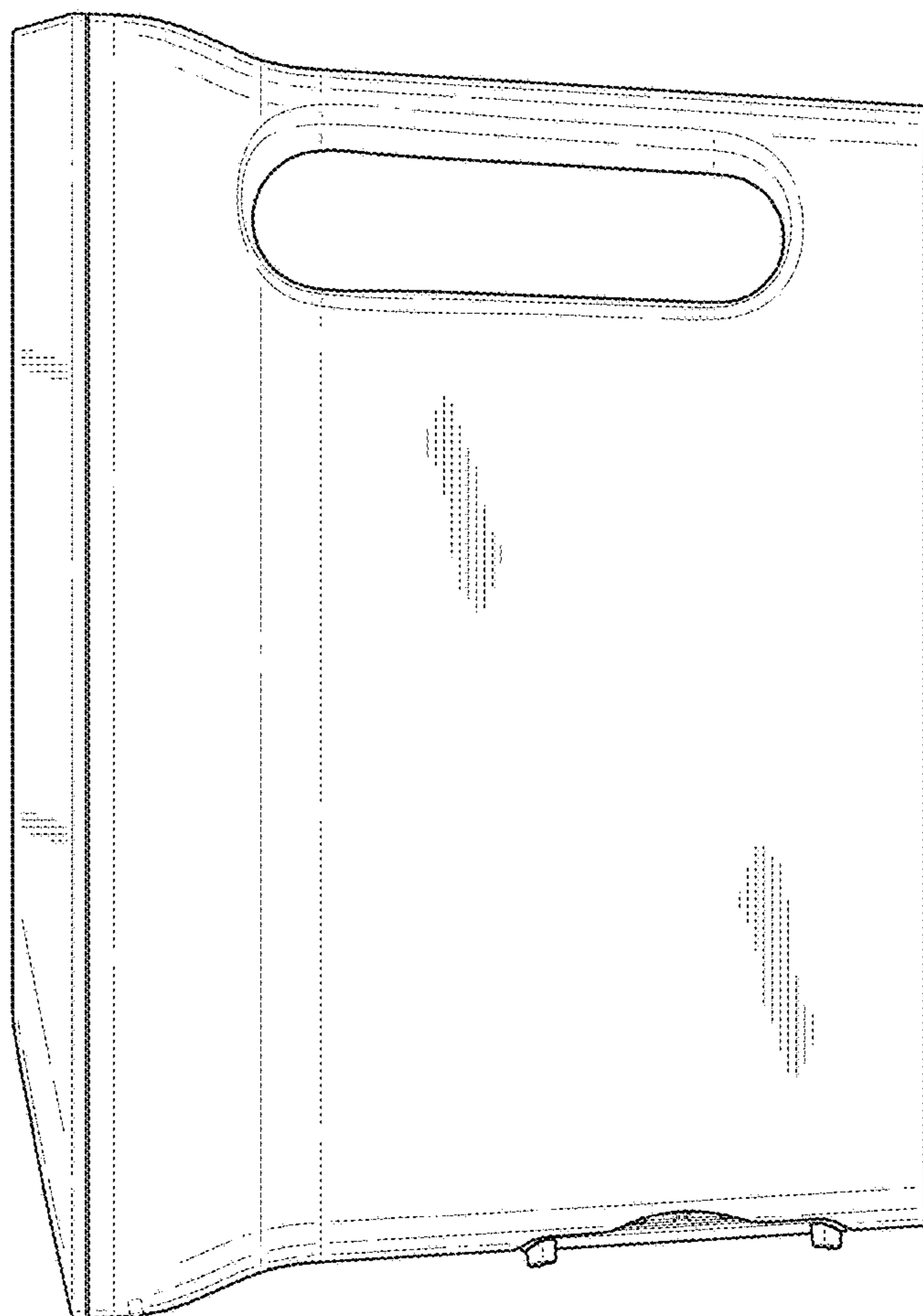


FIG. 4

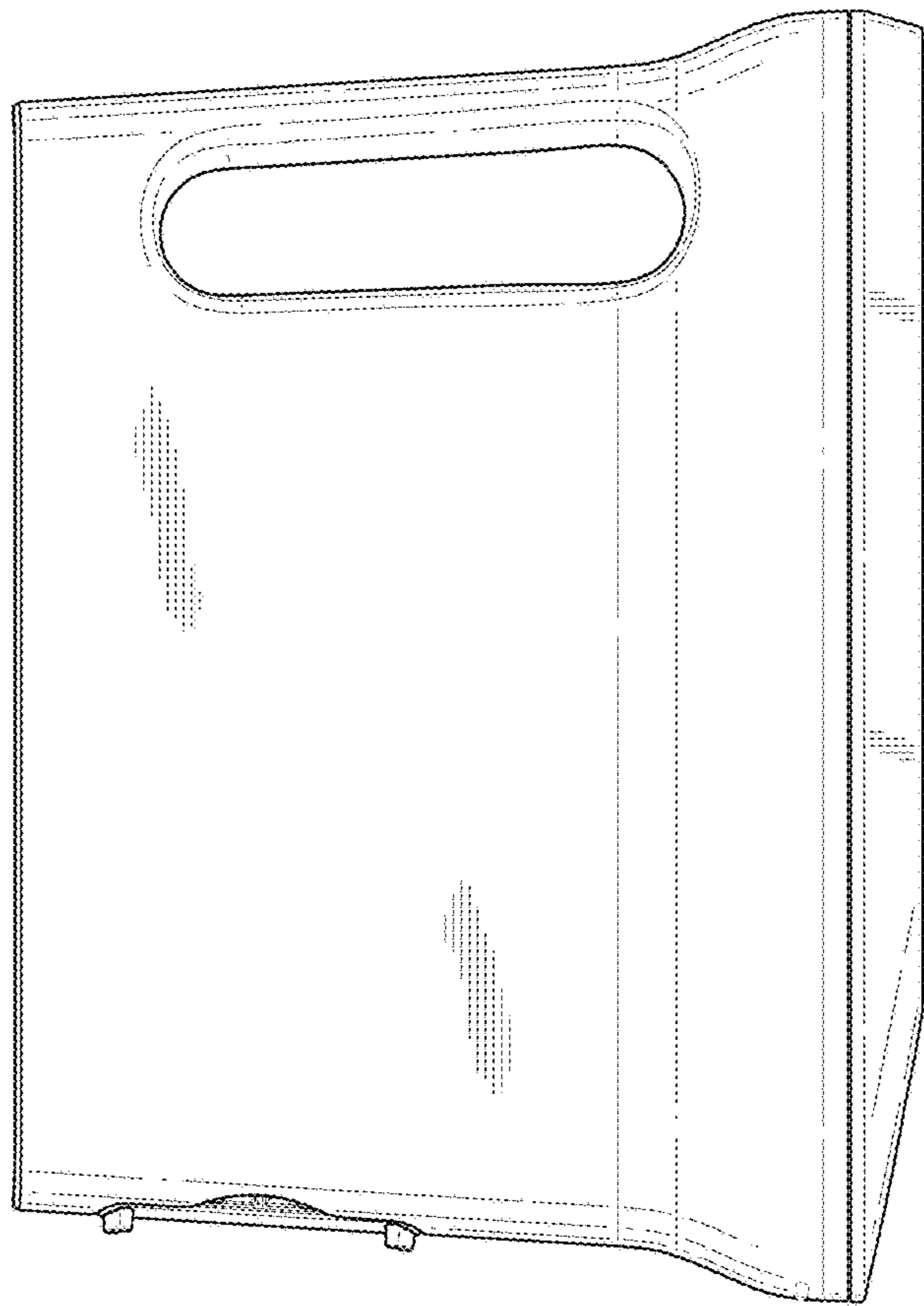


FIG. 5

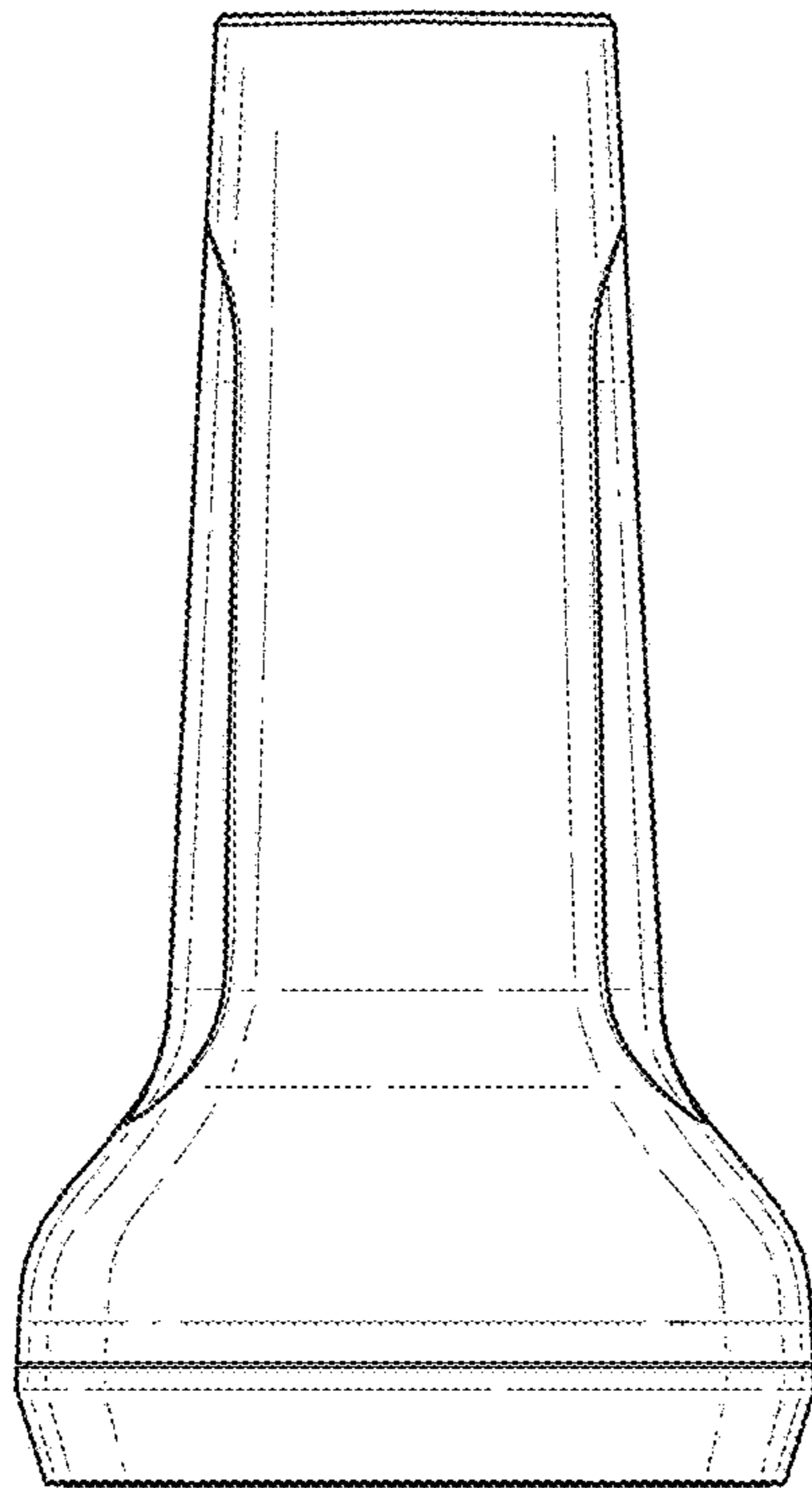


FIG. 6

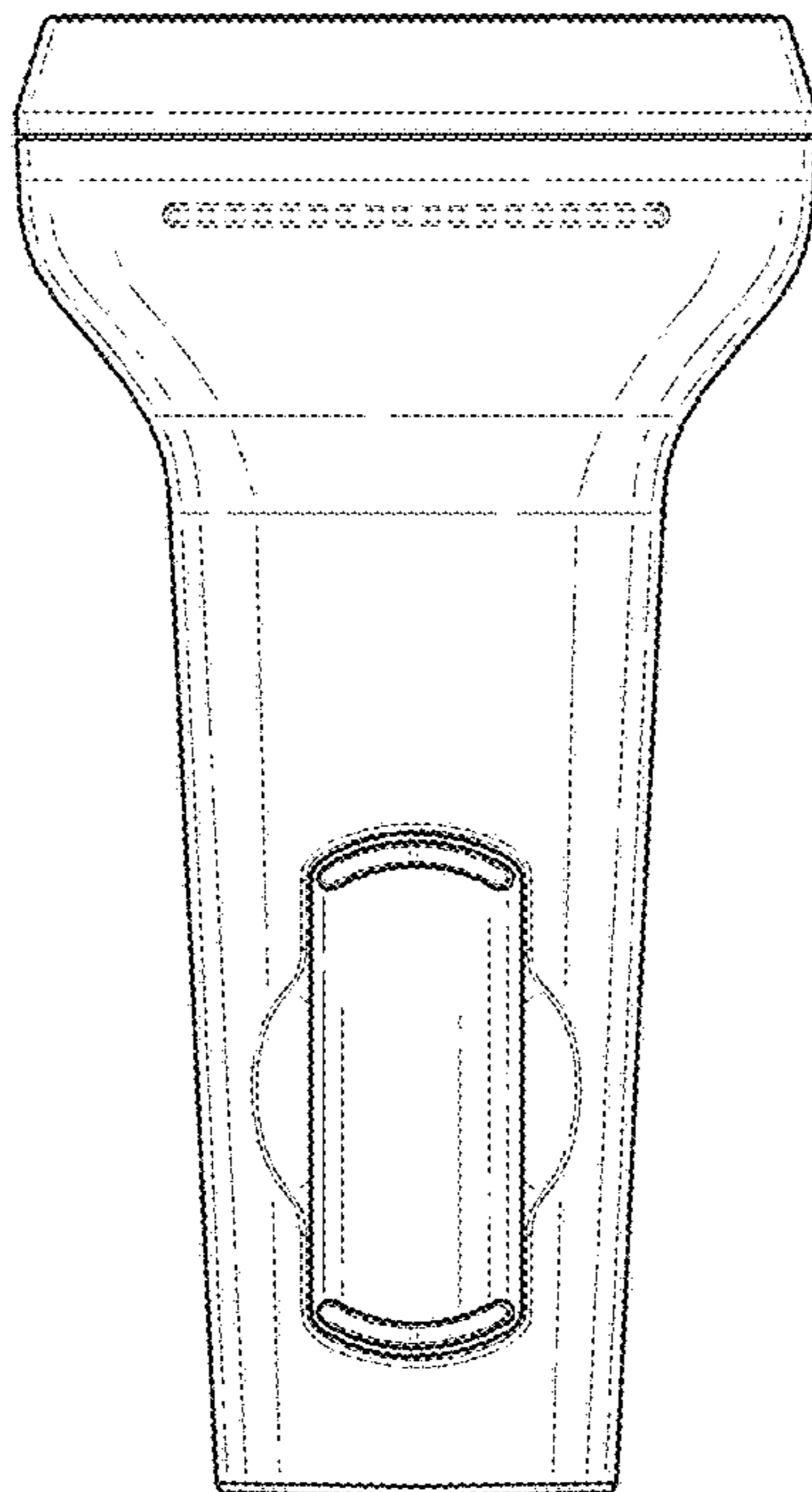


FIG. 7