



US00D835283S

(12) **United States Design Patent** (10) **Patent No.:** **US D835,283 S**  
**Barker et al.** (45) **Date of Patent:** **\*\* \*Dec. 4, 2018**

(54) **MEDICAL MONITORING DEVICE**  
(71) Applicant: **MASIMO CORPORATION**, Irvine, CA (US)  
(72) Inventors: **Nicholas Evan Barker**, Laguna Beach, CA (US); **Ammar Al-Ali**, San Juan Capistrano, CA (US); **Chad A. DeJong**, Los Angeles, CA (US); **Sujin Hwang**, Irvine, CA (US); **Massi Joe E. Kiani**, Laguna Niguel, CA (US); **Bilal Muhsin**, San Clemente, CA (US)

5,041,187 A 8/1991 Hink et al.  
5,069,213 A 12/1991 Polczynski  
5,163,438 A 11/1992 Gordon et al.  
5,319,355 A 6/1994 Russek  
5,337,744 A 8/1994 Branigan  
5,341,805 A 8/1994 Stavridi et al.  
D353,195 S 12/1994 Savage et al.  
D353,196 S 12/1994 Savage et al.  
5,377,676 A 1/1995 Vari et al.  
D359,546 S 6/1995 Savage et al.  
5,431,170 A 7/1995 Mathews  
D361,840 S 8/1995 Savage et al.  
D362,063 S 9/1995 Savage et al.  
5,452,717 A 9/1995 Branigan et al.  
D363,120 S 10/1995 Savage et al.  
5,456,252 A 10/1995 Vari et al.  
5,479,934 A 1/1996 Imran  
5,482,036 A 1/1996 Diab et al.  
5,490,505 A 2/1996 Diab et al.  
5,494,043 A 2/1996 O'Sullivan et al.  
5,533,511 A 7/1996 Kaspari et al.

(73) Assignee: **Masimo Corporation**, Irvine, CA (US)  
(\* ) Notice: This patent is subject to a terminal disclaimer.  
(\*\*) Term: **15 Years**

(21) Appl. No.: **29/602,283**  
(22) Filed: **Apr. 28, 2017**  
(51) **LOC (11) Cl.** ..... **24-01**  
(52) **U.S. Cl.**  
USPC ..... **D24/186**  
(58) **Field of Classification Search**  
USPC .... D24/164-168, 186, 107; D10/75, 70, 98, D10/103; D14/344, 138 R, 138 AA  
CPC ..... A61B 5/0002; A61B 5/02055; A61B 5/02438; A61B 5/6898; A61B 5/002; A61B 5/7455; A61B 5/7445; A61B 2560/0205; A61B 2560/0462; A61B 2560/045; G01F 1/1654  
See application file for complete search history.

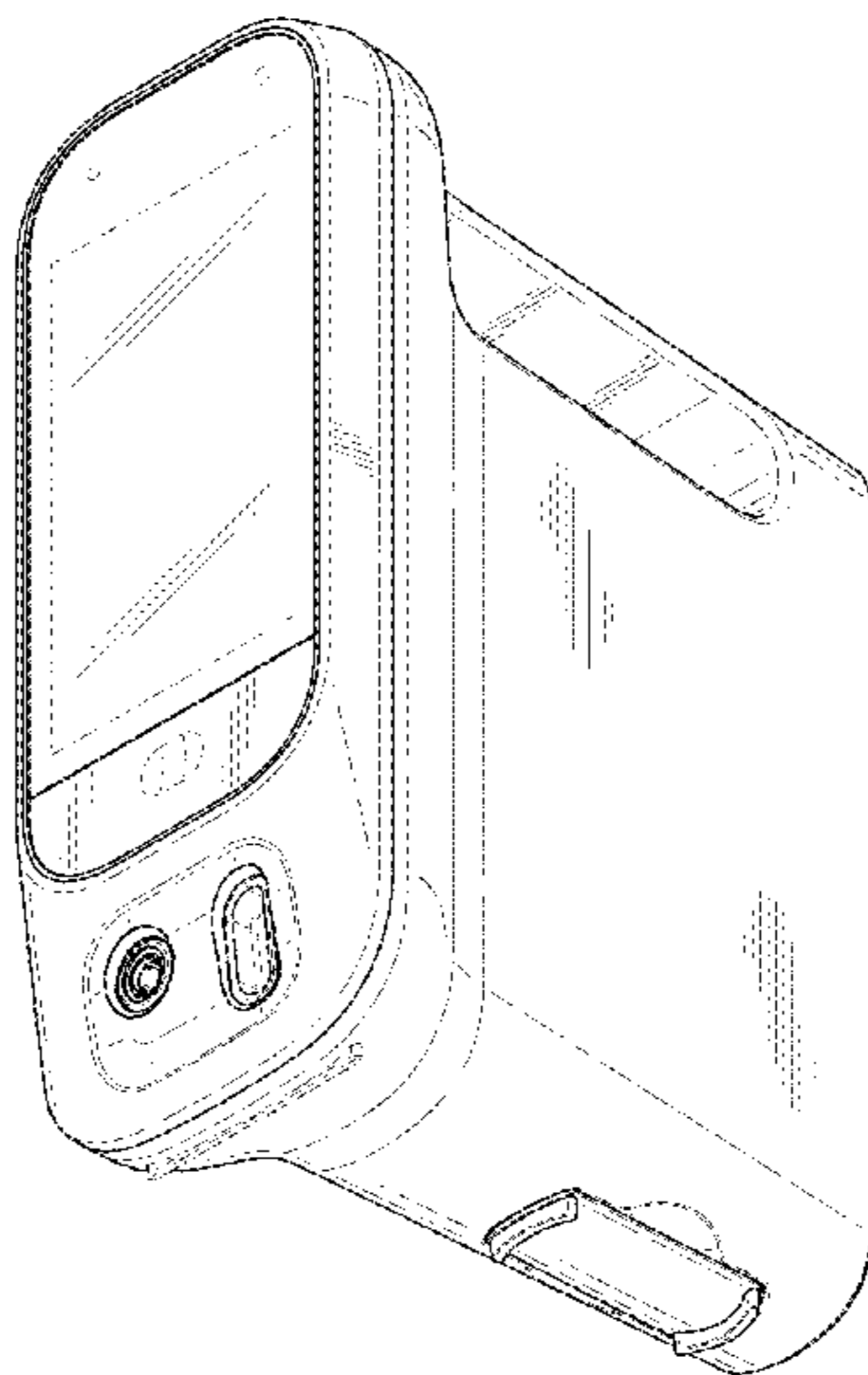
(56) **References Cited**  
U.S. PATENT DOCUMENTS  
4,960,128 A 10/1990 Gordon et al.  
4,964,408 A 10/1990 Hink et al.

(Continued)  
*Primary Examiner* — Anhdao Doan  
(74) *Attorney, Agent, or Firm* — Knobbe, Martens, Olson & Bear, LLP

(57) **CLAIM**  
The ornamental design for a medical monitoring device, as shown and described.

**DESCRIPTION**  
FIG. 1 is a front, side, and bottom perspective view of a medical monitoring device embodying our new design; FIG. 2 is a front view thereof; FIG. 3 is a rear view thereof; FIG. 4 is a first side view thereof; FIG. 5 is a second side view thereof; FIG. 6 is a top view thereof; and, FIG. 7 is a bottom view thereof.  
Broken lines are used to illustrate portions of the medical monitoring device that form no part of the claimed design.

**1 Claim, 7 Drawing Sheets**













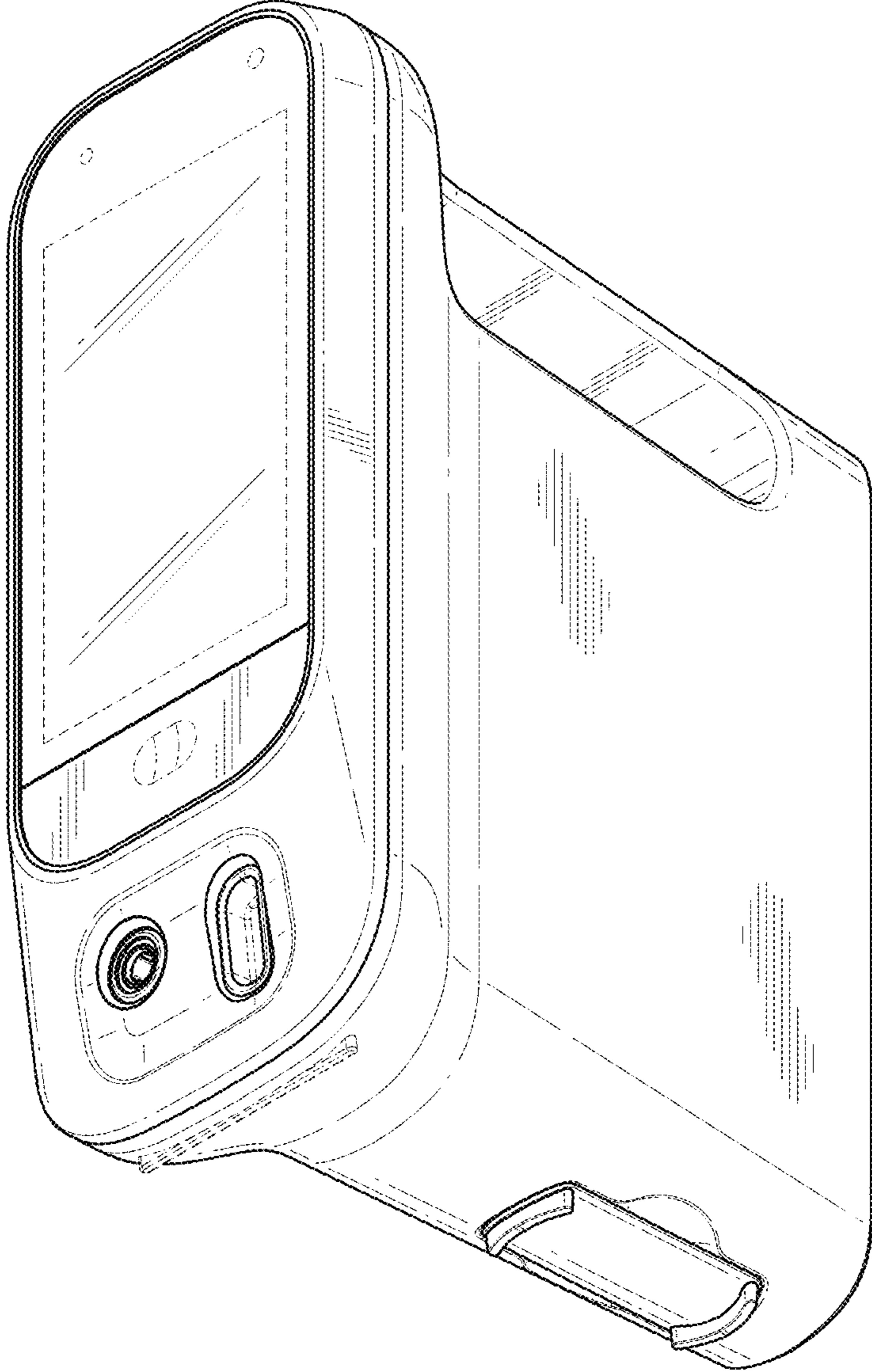


FIG. 1

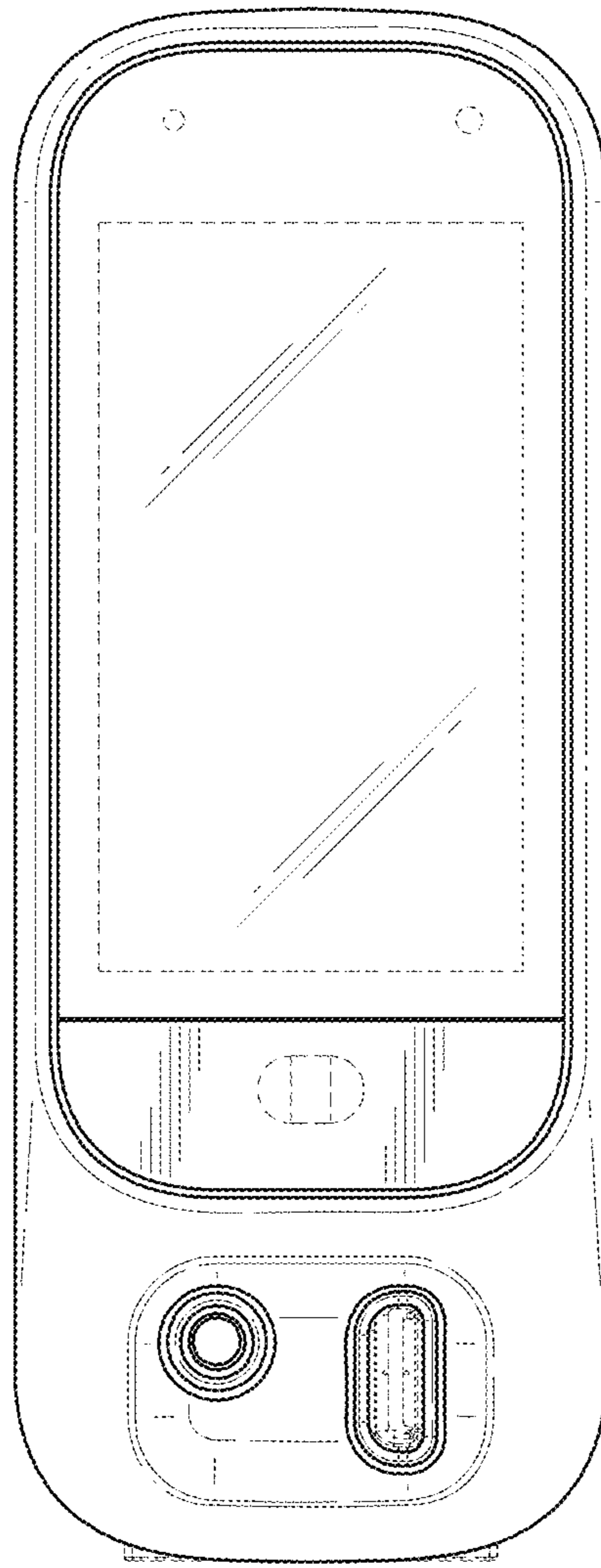


FIG. 2



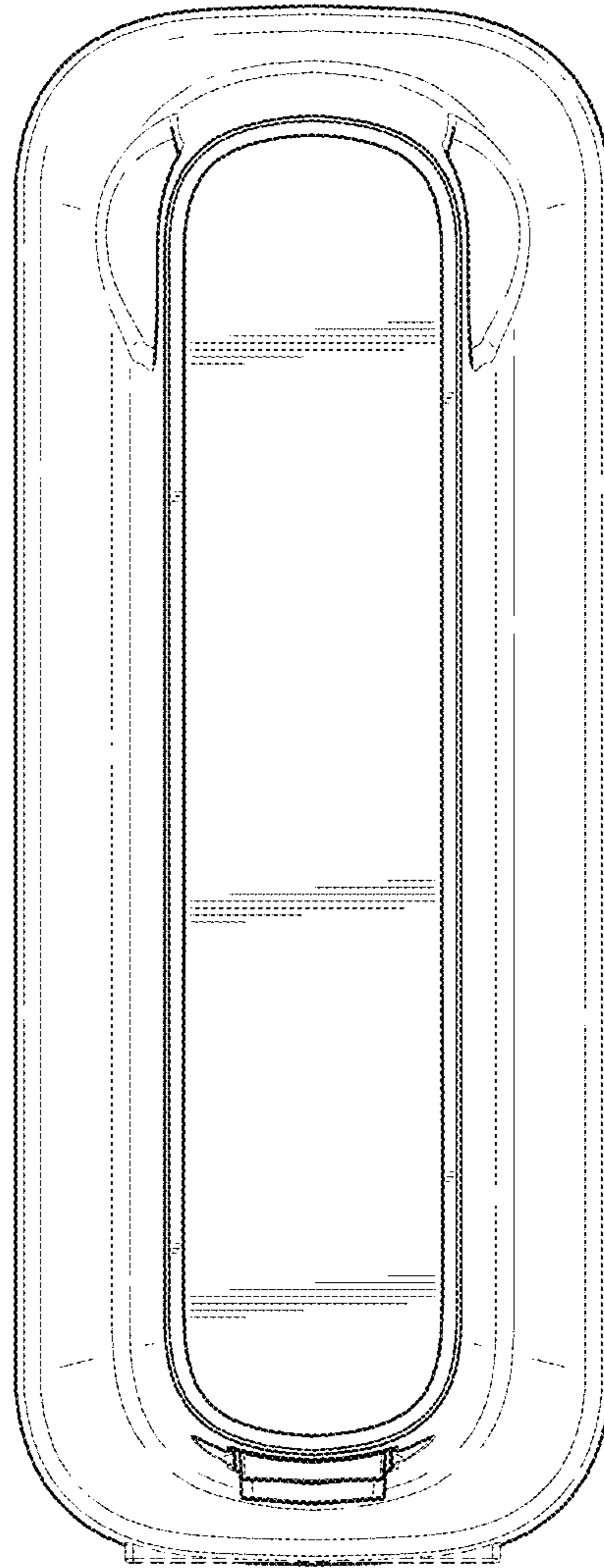


FIG. 3

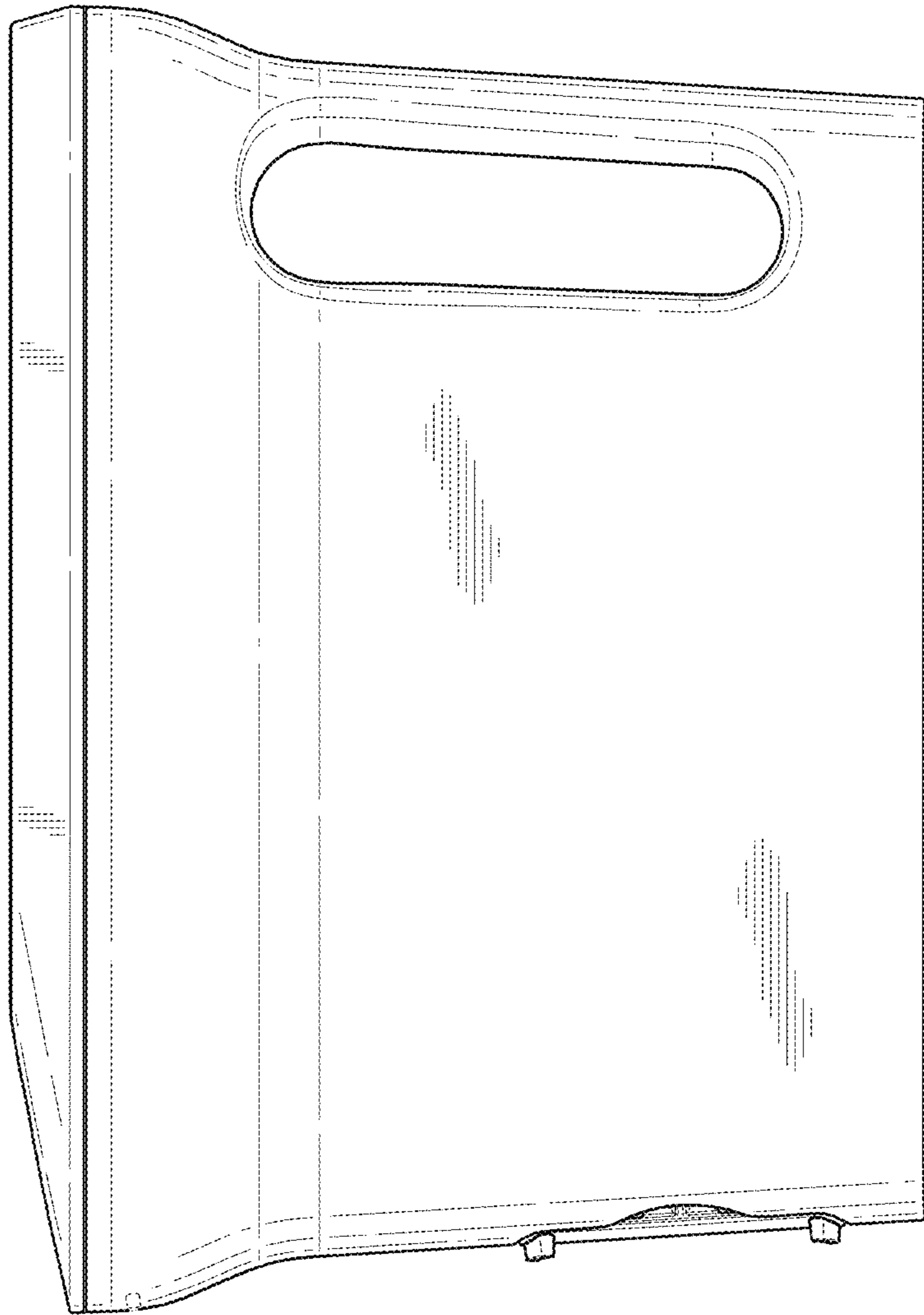


FIG. 4

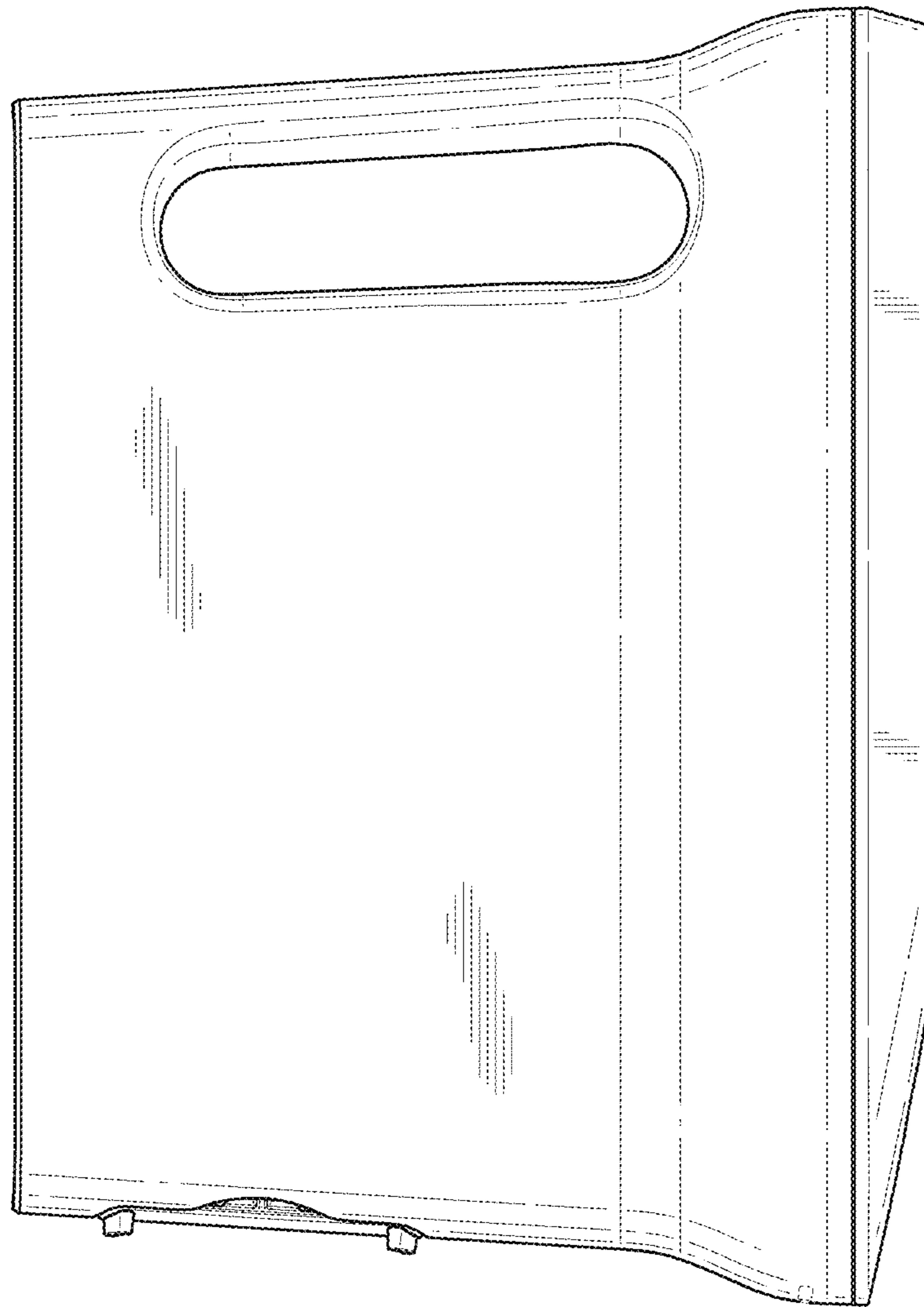


FIG. 5

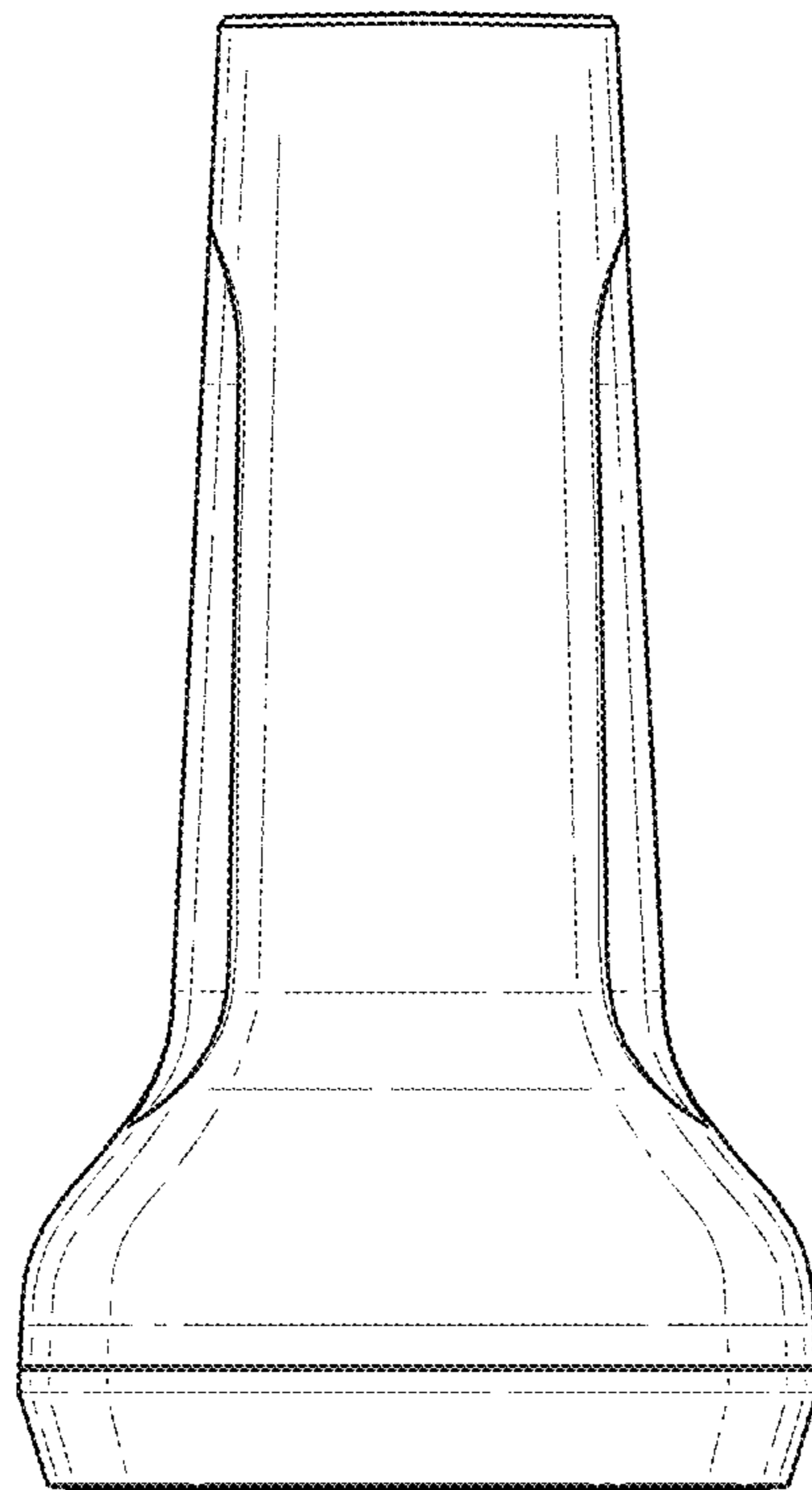


FIG. 6

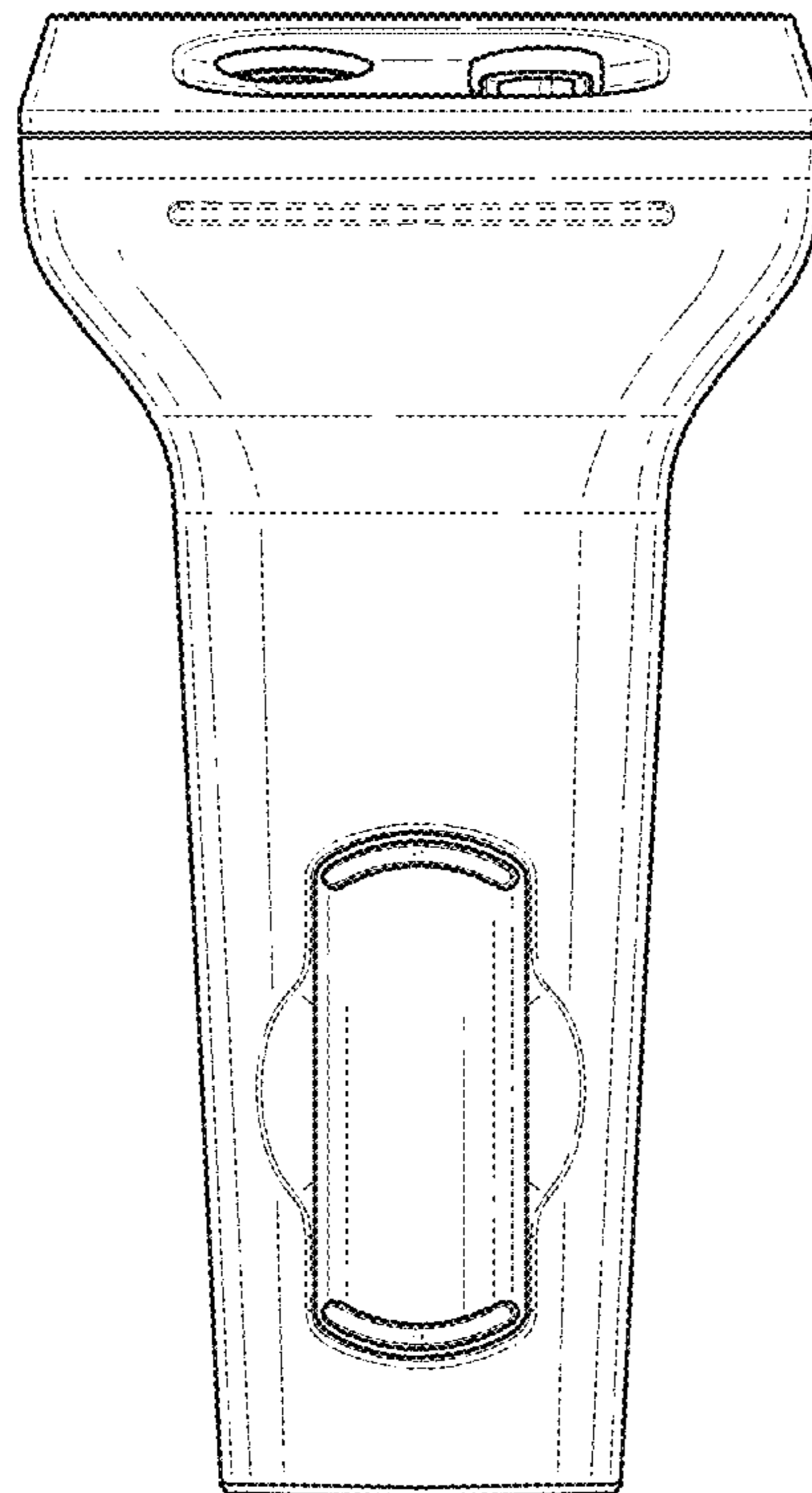


FIG. 7