



US00D835282S

(12) **United States Design Patent** (10) **Patent No.:** **US D835,282 S**
Barker et al. (45) **Date of Patent:** **** Dec. 4, 2018**

- (54) **MEDICAL MONITORING DEVICE**
- (71) Applicant: **MASIMO CORPORATION**, Irvine, CA (US)
- (72) Inventors: **Nicholas Evan Barker**, Laguna Beach, CA (US); **Ammar Al-Ali**, San Juan Capistrano, CA (US); **Chad A. DeJong**, Los Angeles, CA (US); **Sujin Hwang**, Irvine, CA (US); **Massi Joe E. Kiani**, Laguna Niguel, CA (US); **Bilal Muhsin**, San Clemente, CA (US)
- (73) Assignee: **Masimo Corporation**, Irvine, CA (US)
- (**) Term: **15 Years**
- (21) Appl. No.: **29/602,282**
- (22) Filed: **Apr. 28, 2017**
- (51) **LOC (11) Cl.** **24-01**
- (52) **U.S. Cl.**
USPC **D24/186**
- (58) **Field of Classification Search**
USPC D24/164-168, 186, 107; D10/75, 70, 98, D10/103; D14/344, 138 R, 138 AA
CPC A61B 5/0002; A61B 5/02055; A61B 5/02438; A61B 5/6898; A61B 5/002; A61B 5/7455; A61B 5/7445; A61B 2560/0205; A61B 2560/0462; A61B 2560/045; G01F 1/1654
See application file for complete search history.

- 5,319,355 A 6/1994 Russek
5,337,744 A 8/1994 Branigan
5,341,805 A 8/1994 Stavridi et al.
D353,195 S 12/1994 Savage et al.
D353,196 S 12/1994 Savage et al.
5,377,676 A 1/1995 Vari et al.
D359,546 S 6/1995 Savage et al.
5,431,170 A 7/1995 Mathews
D361,840 S 8/1995 Savage et al.
D362,063 S 9/1995 Savage et al.
5,452,717 A 9/1995 Branigan et al.
D363,120 S 10/1995 Savage et al.
5,456,252 A 10/1995 Vari et al.
5,479,934 A 1/1996 Imran
5,482,036 A 1/1996 Diab et al.
5,490,505 A 2/1996 Diab et al.
5,494,043 A 2/1996 O'Sullivan et al.
5,533,511 A 7/1996 Kaspari et al.
5,534,851 A 7/1996 Russek
5,561,275 A 10/1996 Savage et al.

(Continued)

Primary Examiner — Anhdao Doan

(74) *Attorney, Agent, or Firm* — Knobbe, Martens, Olson & Bear, LLP

(57) **CLAIM**

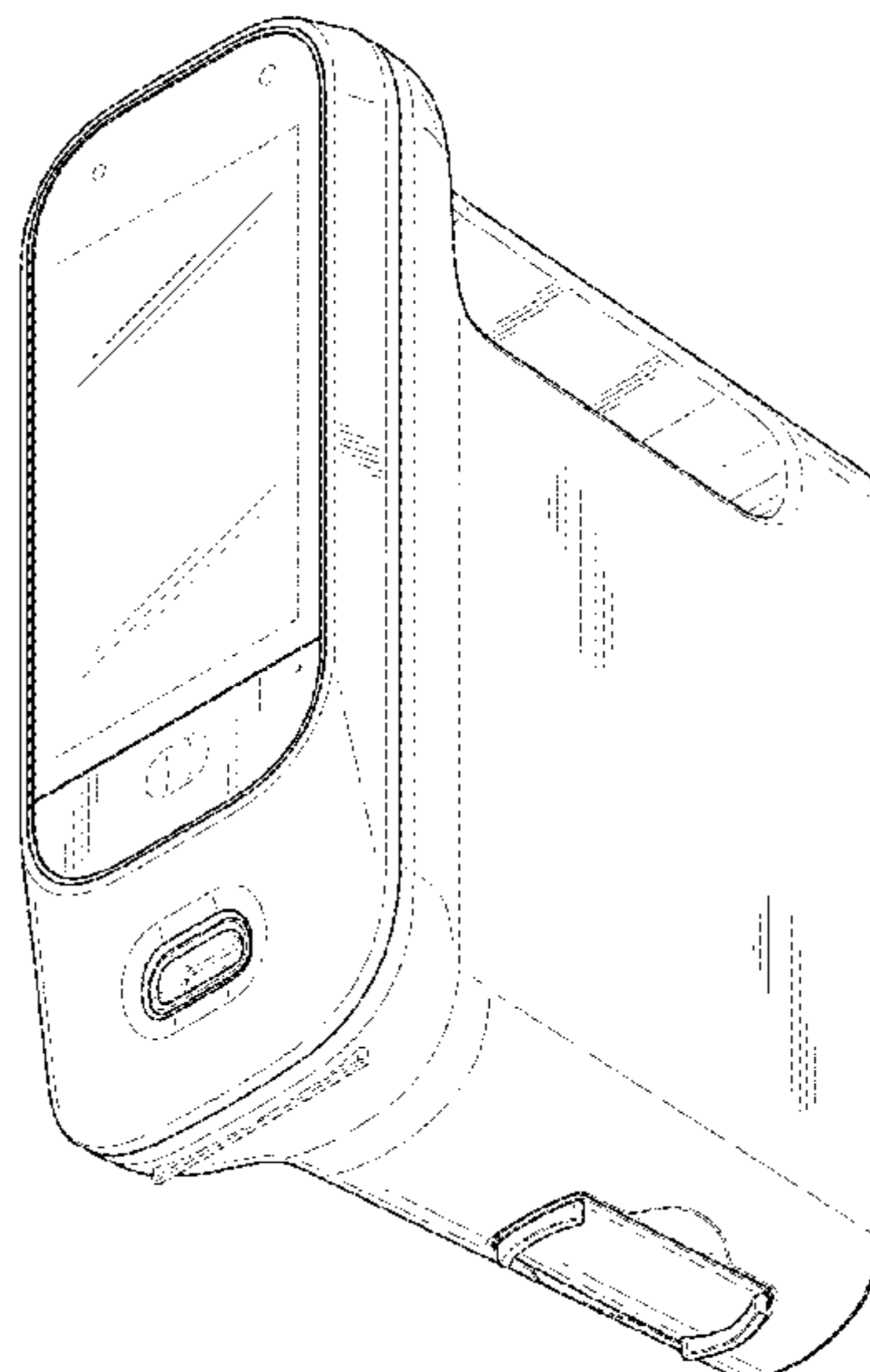
The ornamental design for a medical monitoring device, as shown and described.

DESCRIPTION

FIG. 1 is a front, side, and bottom perspective view of a medical monitoring device embodying our new design;
FIG. 2 is a front view thereof;
FIG. 3 is a rear view thereof;
FIG. 4 is a first side view thereof;
FIG. 5 is a second side view thereof;
FIG. 6 is a top view thereof; and,
FIG. 7 is a bottom view thereof.
Broken lines are used to illustrate portions of the medical monitoring device that form no part of the claimed design.

1 Claim, 7 Drawing Sheets

- (56) **References Cited**
U.S. PATENT DOCUMENTS
- | | | |
|-------------|---------|---------------|
| 4,960,128 A | 10/1990 | Gordon et al. |
| 4,964,408 A | 10/1990 | Hink et al. |
| 5,041,187 A | 8/1991 | Hink et al. |
| 5,069,213 A | 12/1991 | Polczynski |
| 5,163,438 A | 11/1992 | Gordon et al. |



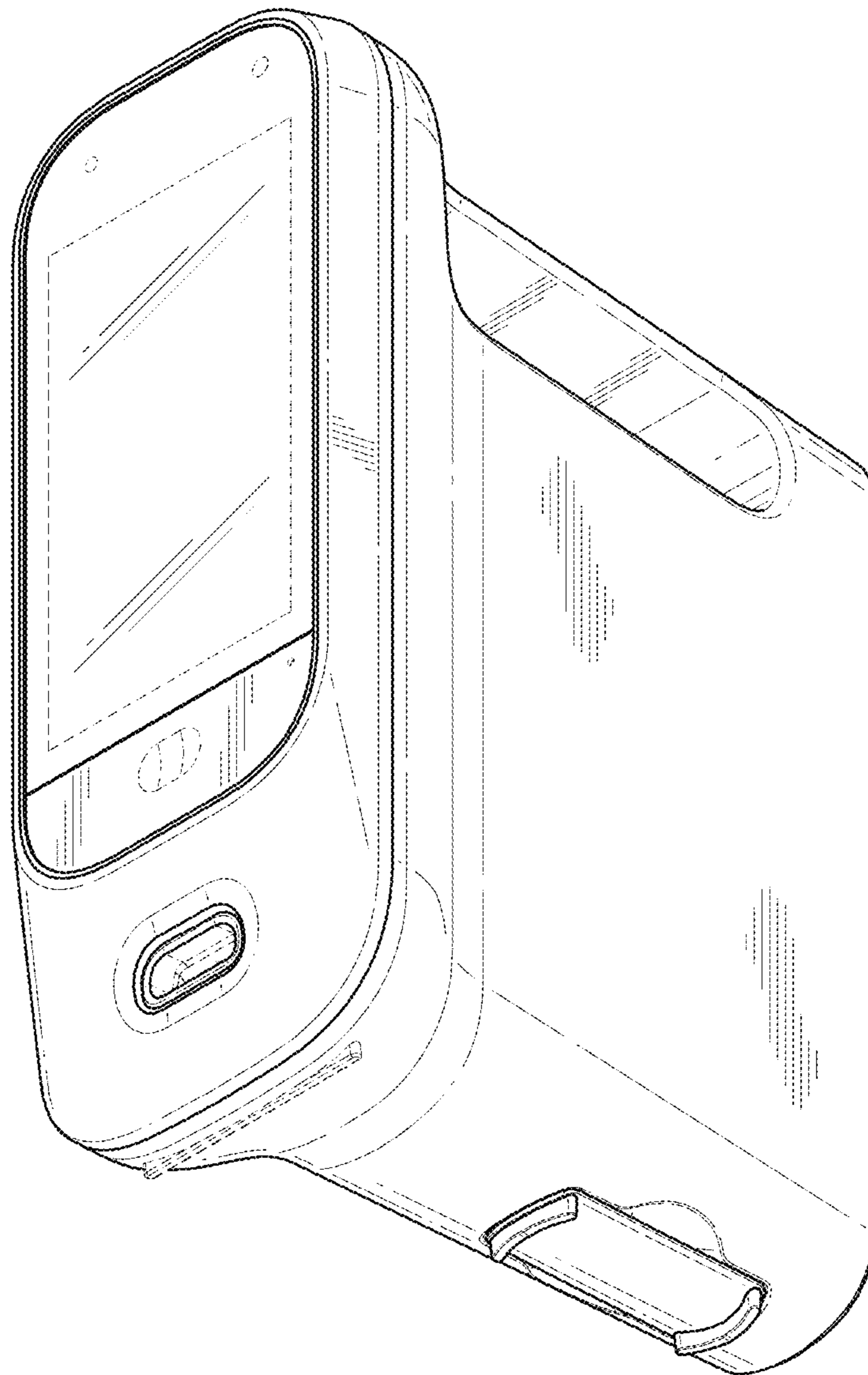


FIG. 1

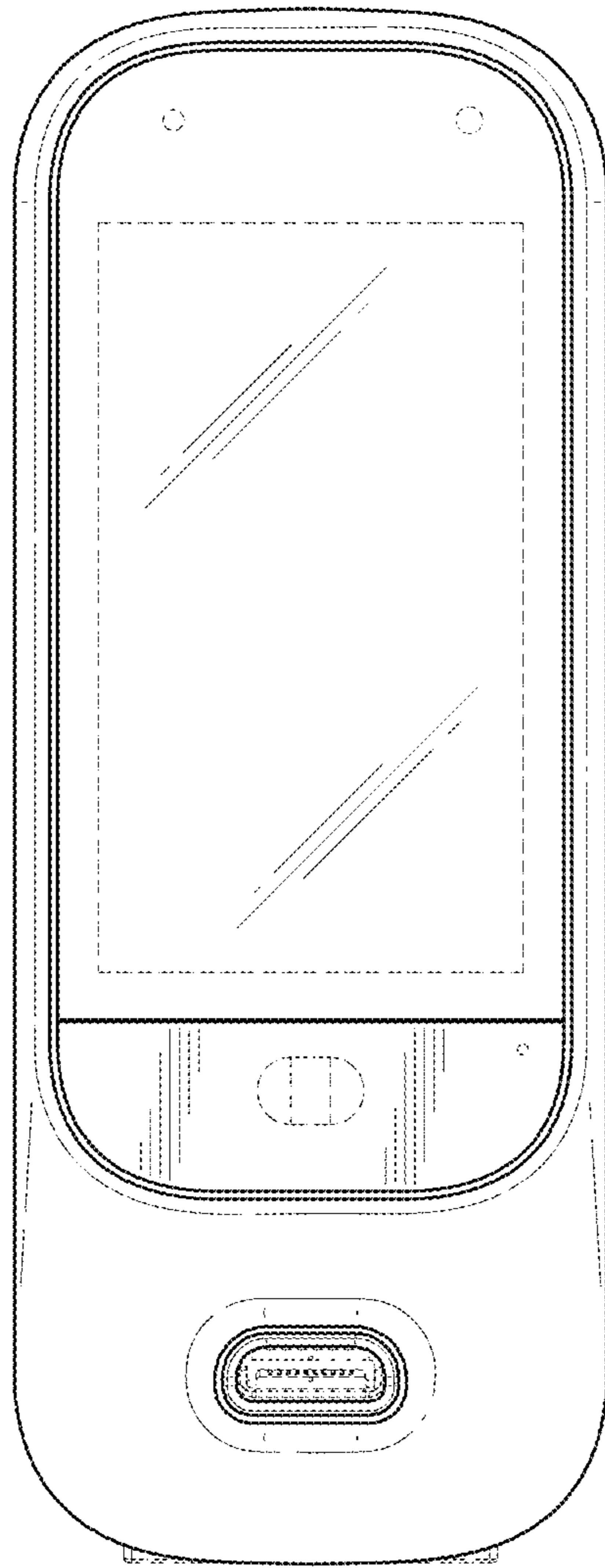


FIG. 2

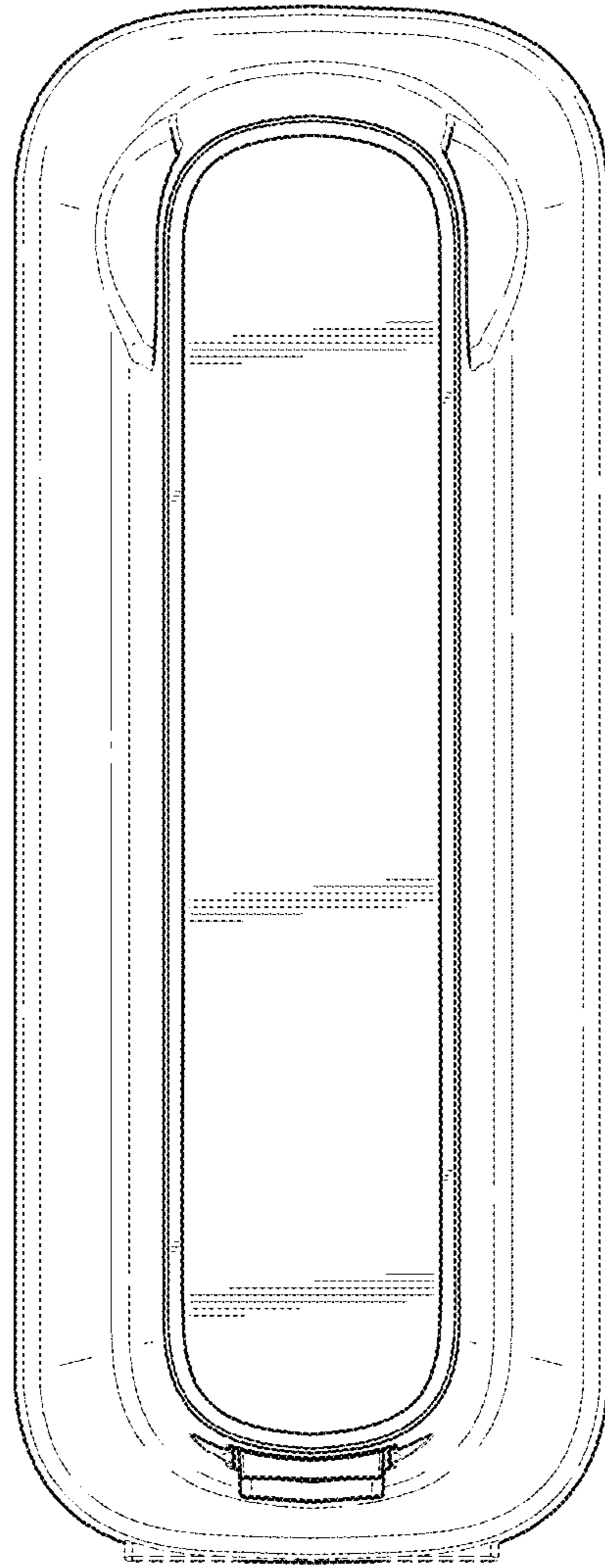


FIG. 3

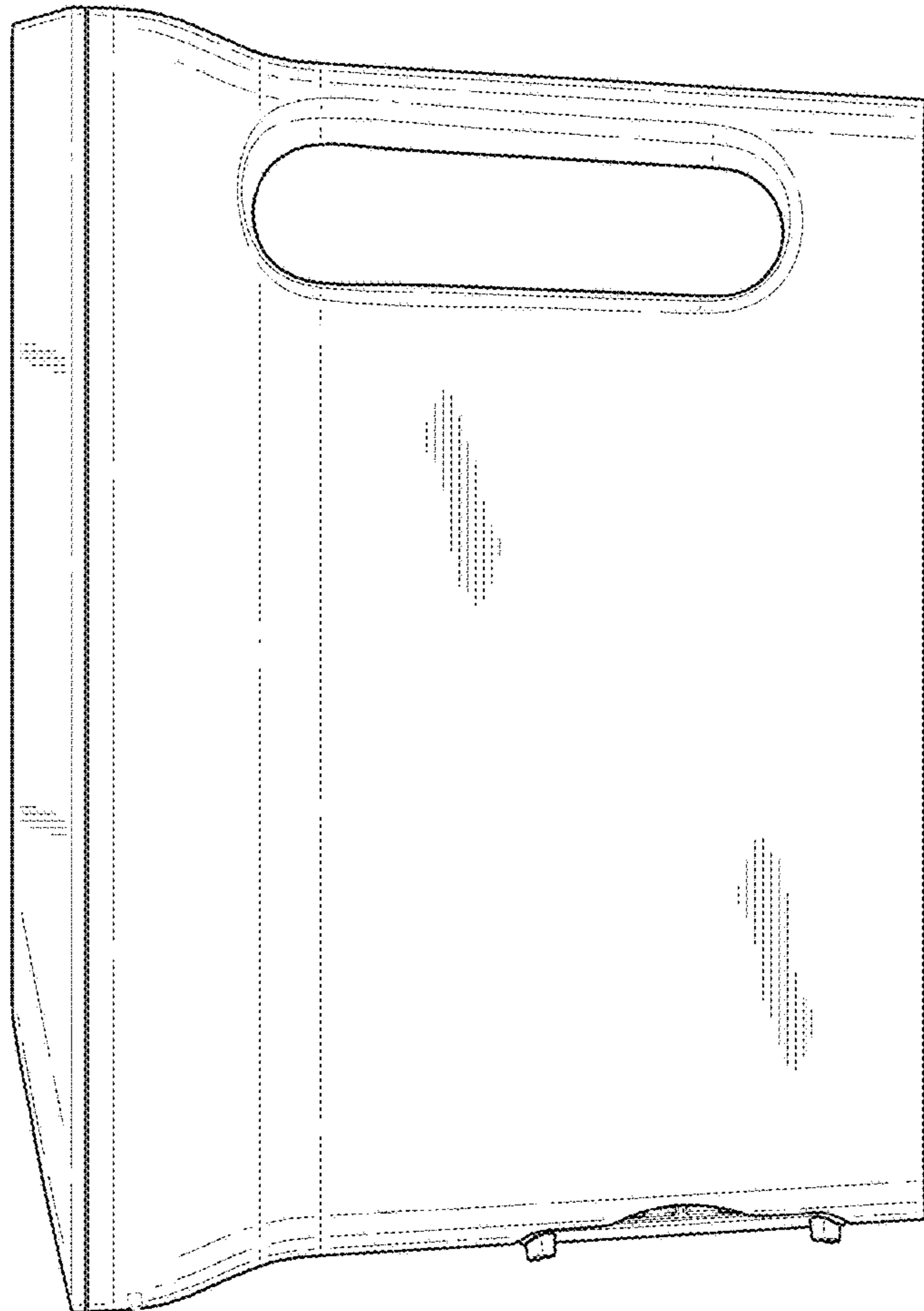


FIG. 4

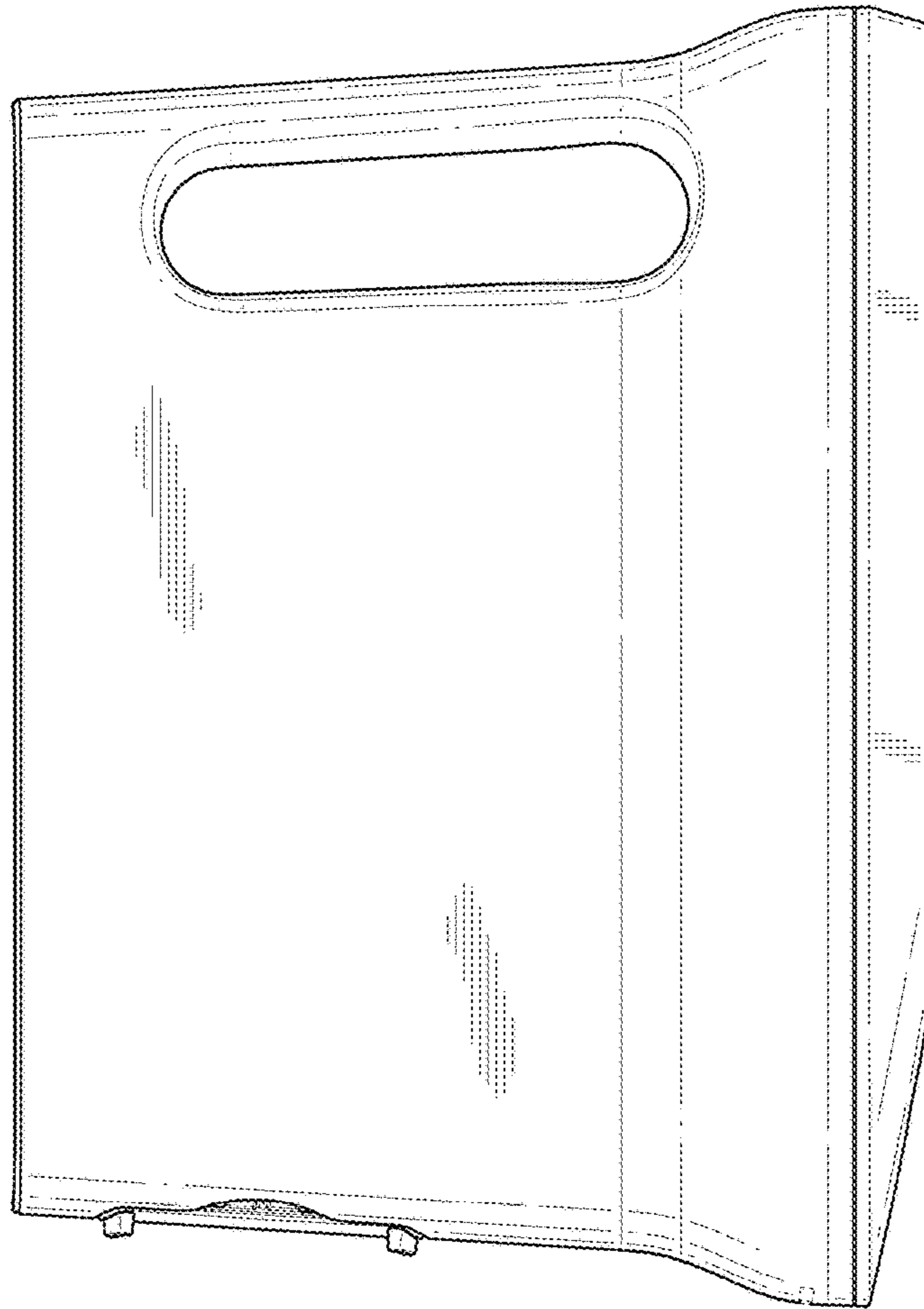


FIG. 5

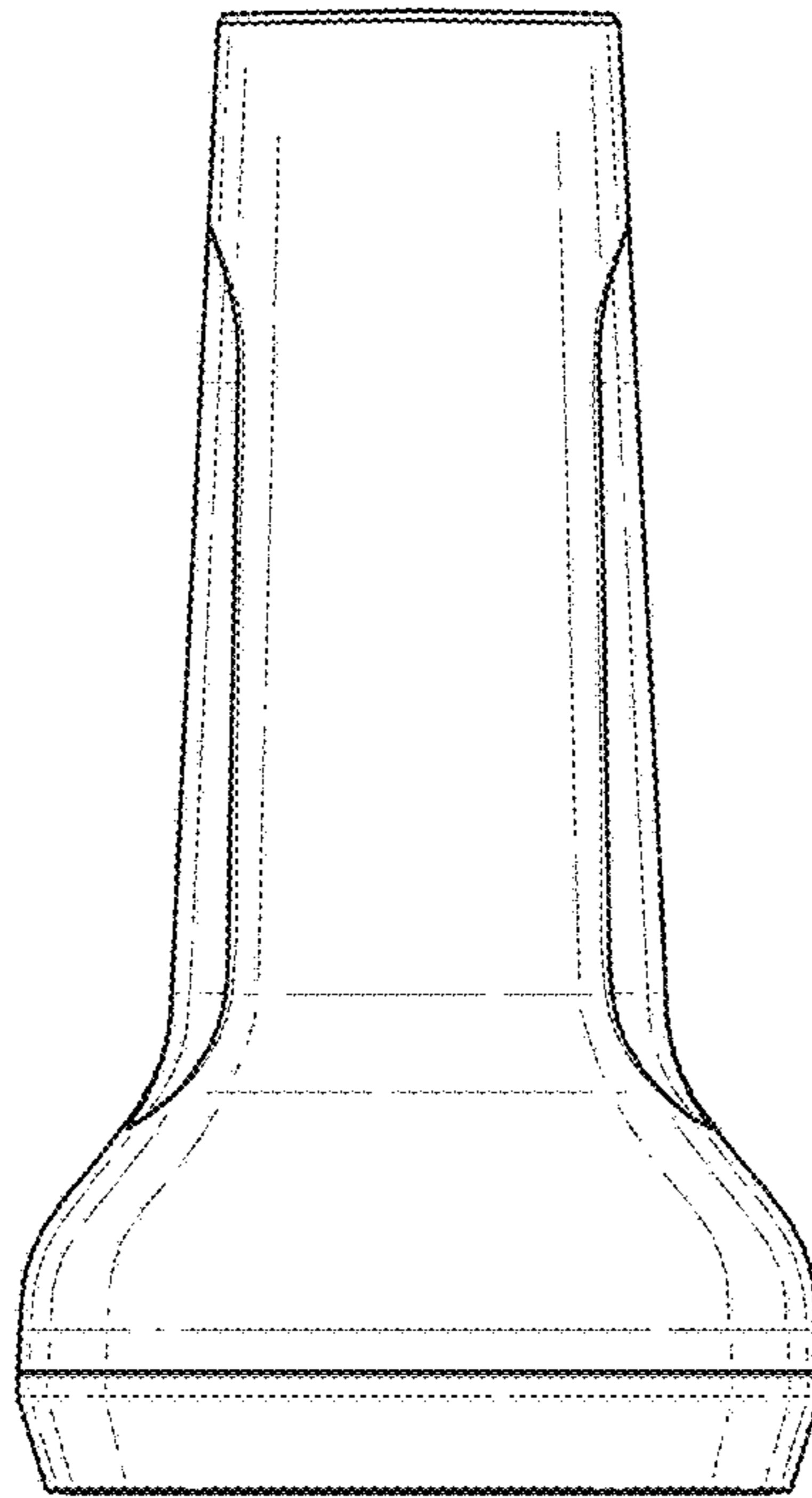


FIG. 6

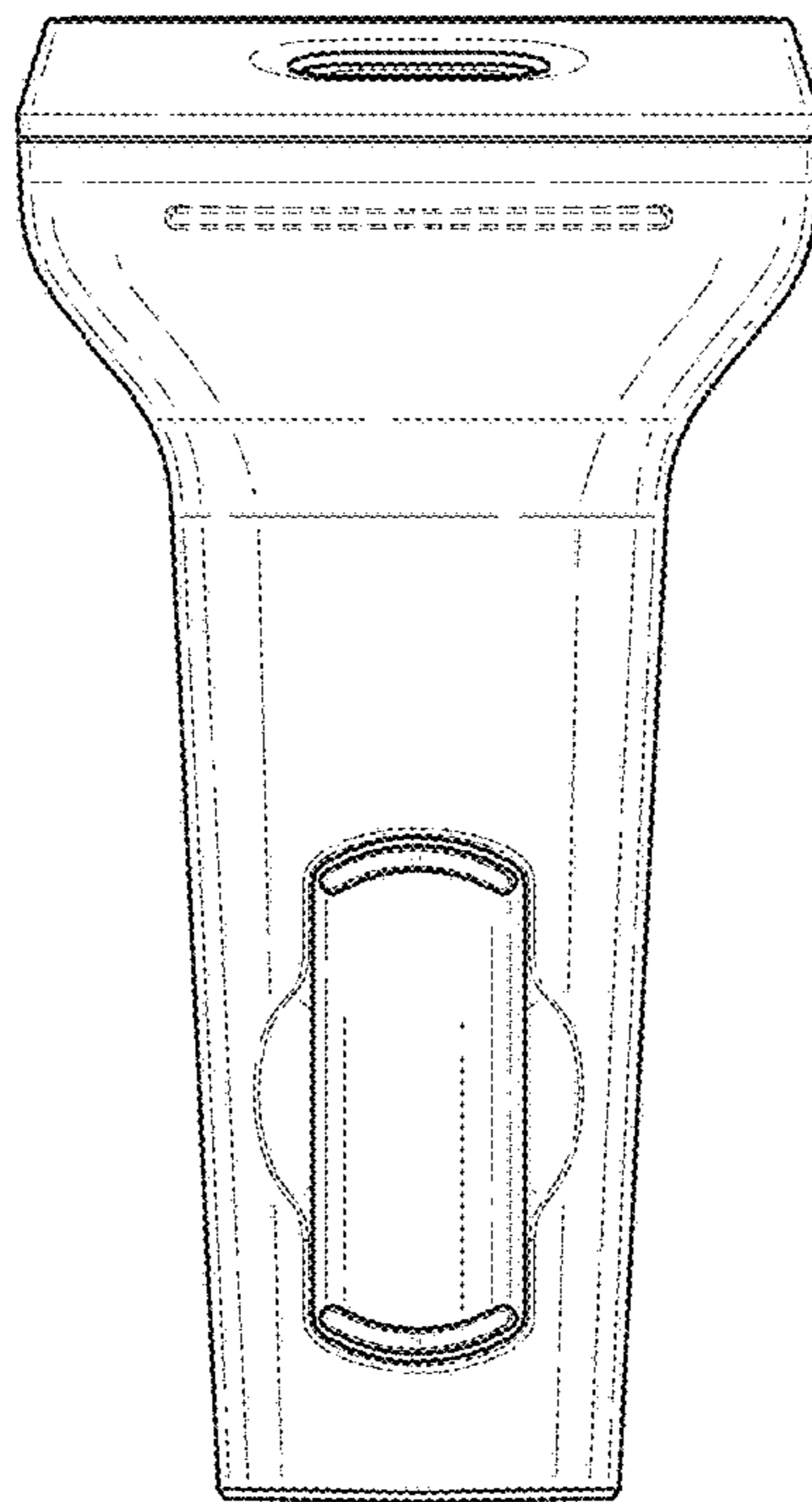


FIG. 7