



US00D835280S

(12) **United States Design Patent**
Sugie et al.

(10) **Patent No.:** **US D835,280 S**
(45) **Date of Patent:** **** Dec. 4, 2018**

(54) **MEDICAL X-RAY IMAGING MACHINE**
(71) Applicant: **SHIMADZU CORPORATION**, Kyoto (JP)
(72) Inventors: **Tomoya Sugie**, Otsu (JP); **Jun Kawai**, Kyoto (JP); **Hiroshi Muraoka**, Kyoto (JP); **Toshiaki Nakamura**, Nagaoka-kyo (JP); **Tadahiko Nakahara**, Kyoto (JP); **Toru Hayakawa**, Kyoto (JP)
(73) Assignee: **SHIMADZU CORPORATION**, Kyoto (JP)

D690,012 S * 9/2013 Yanase D24/158
D769,446 S * 10/2016 Liu D24/158
D786,439 S * 5/2017 Kim D24/158
D806,877 S * 1/2018 Skeats D24/158
2010/0329427 A1* 12/2010 Takae A61B 6/4283
378/98.5
2014/0233703 A1* 8/2014 Omura A61B 6/4405
378/98
2017/0265823 A1* 9/2017 Kim A61B 6/105

* cited by examiner

Primary Examiner — Anhdao Doan

(74) *Attorney, Agent, or Firm* — JCIPRNET

(**) Term: **15 Years**

(57) **CLAIM**

(21) Appl. No.: **29/617,426**

The ornamental design for a medical X-ray imaging machine, as shown and described.

(22) Filed: **Sep. 14, 2017**

(51) **LOC (11) Cl.** **24-01**

(52) **U.S. Cl.**

USPC **D24/158**

(58) **Field of Classification Search**

USPC D24/158–161, 185, 186, 107; D15/199

CPC .. A61B 5/05; A61B 5/055; A61B 6/03; A61B

6/035; A61B 6/4405; A61B 6/4411; A61B

6/4435; A61B 6/4441; A61B 6/4447

See application file for complete search history.

(56) **References Cited**

U.S. PATENT DOCUMENTS

5,351,282 A * 9/1994 Kadowaki A61B 6/4405

378/193

D617,906 S * 6/2010 Nakahara D24/158

DESCRIPTION

FIG. 1 is a perspective view of a medical X-ray imaging machine showing our new design;

FIG. 2 is a front view thereof;

FIG. 3 is a rear view thereof;

FIG. 4 is a left side view thereof;

FIG. 5 is a right side view thereof;

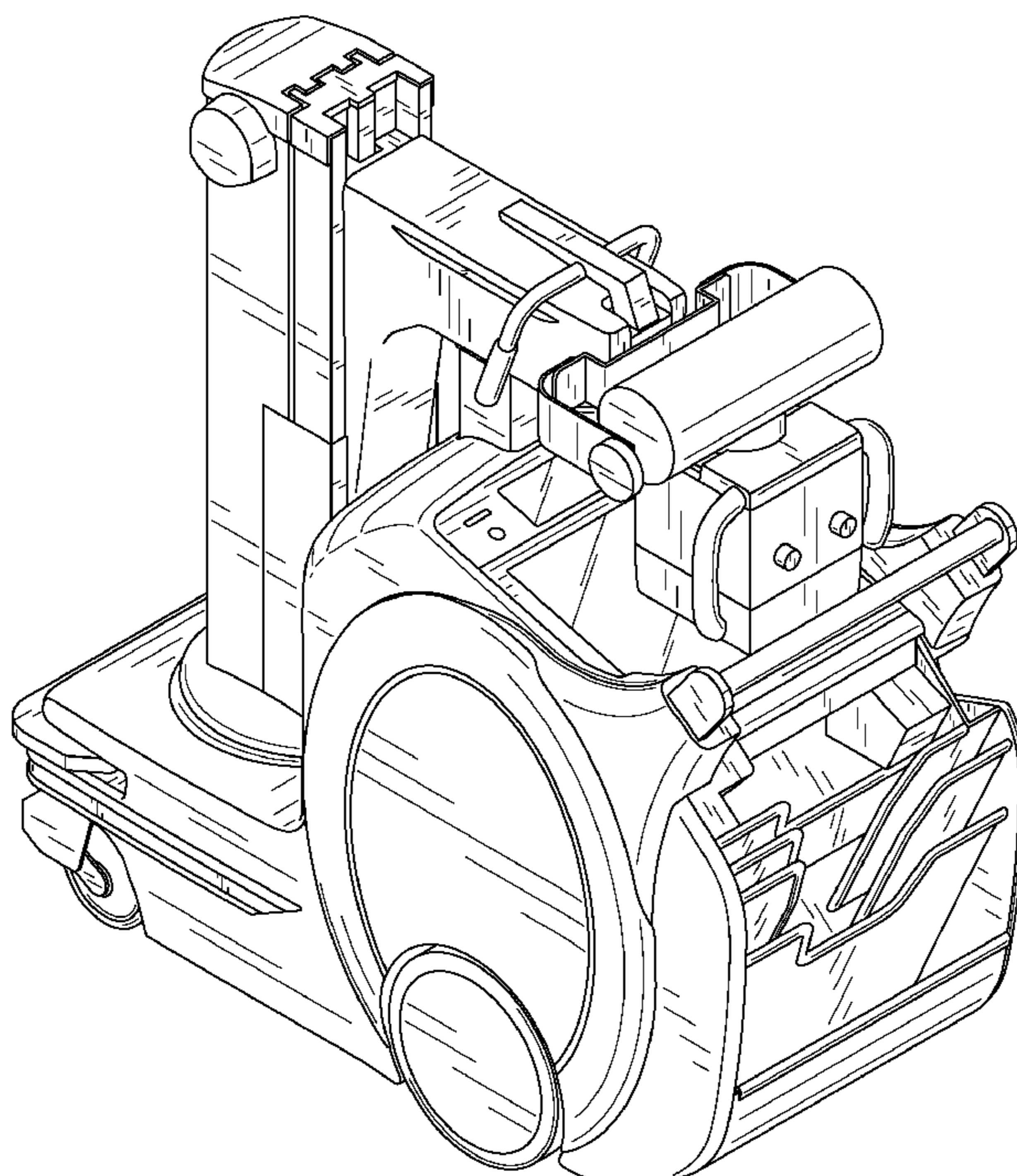
FIG. 6 is a top view thereof;

FIG. 7 is a bottom view thereof;

FIG. 8 is another perspective view thereof with the supporting post rotated; and,

FIG. 9 is another perspective view thereof with the supporting post rotated and elongated.

1 Claim, 9 Drawing Sheets



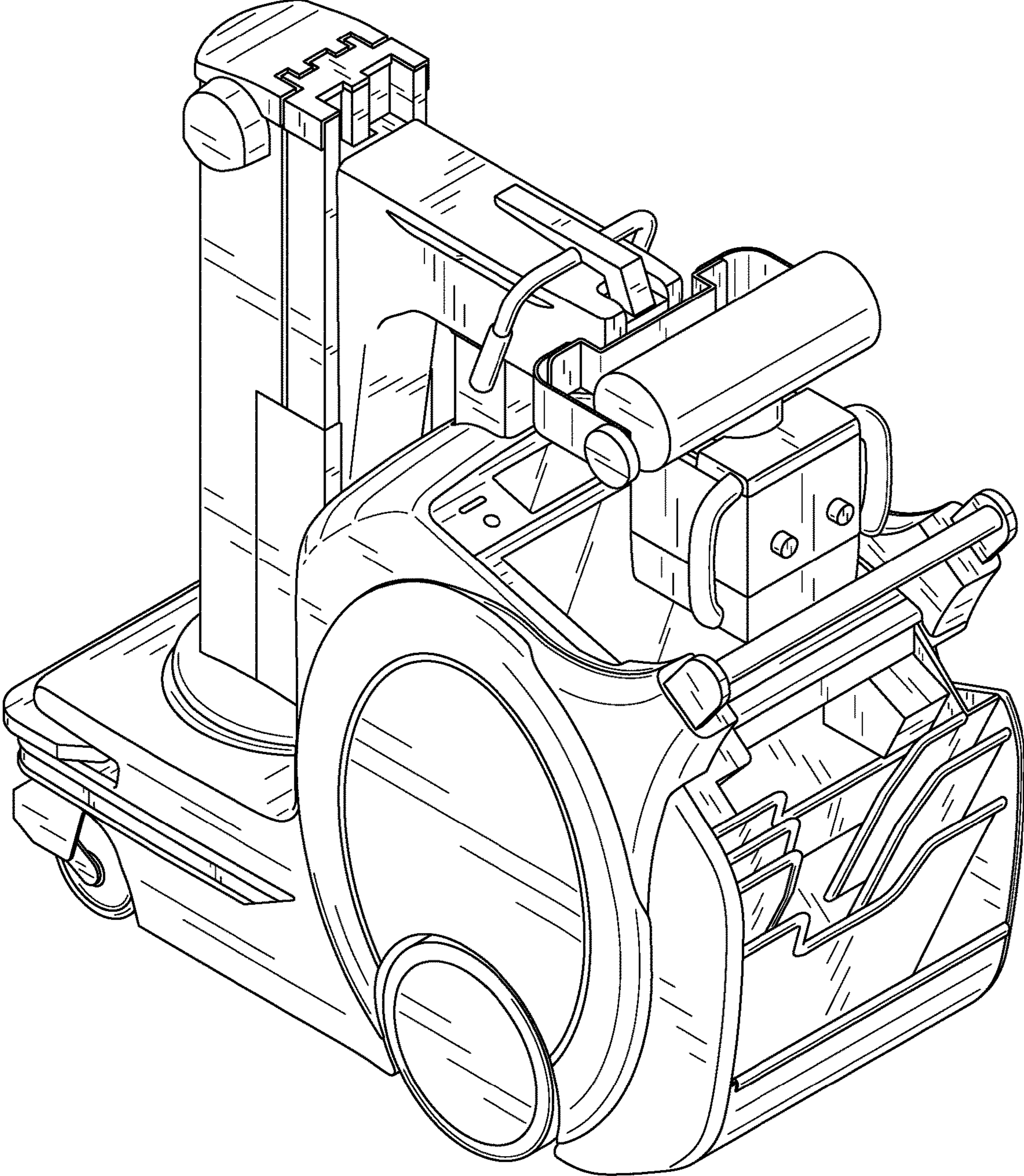


FIG. 1

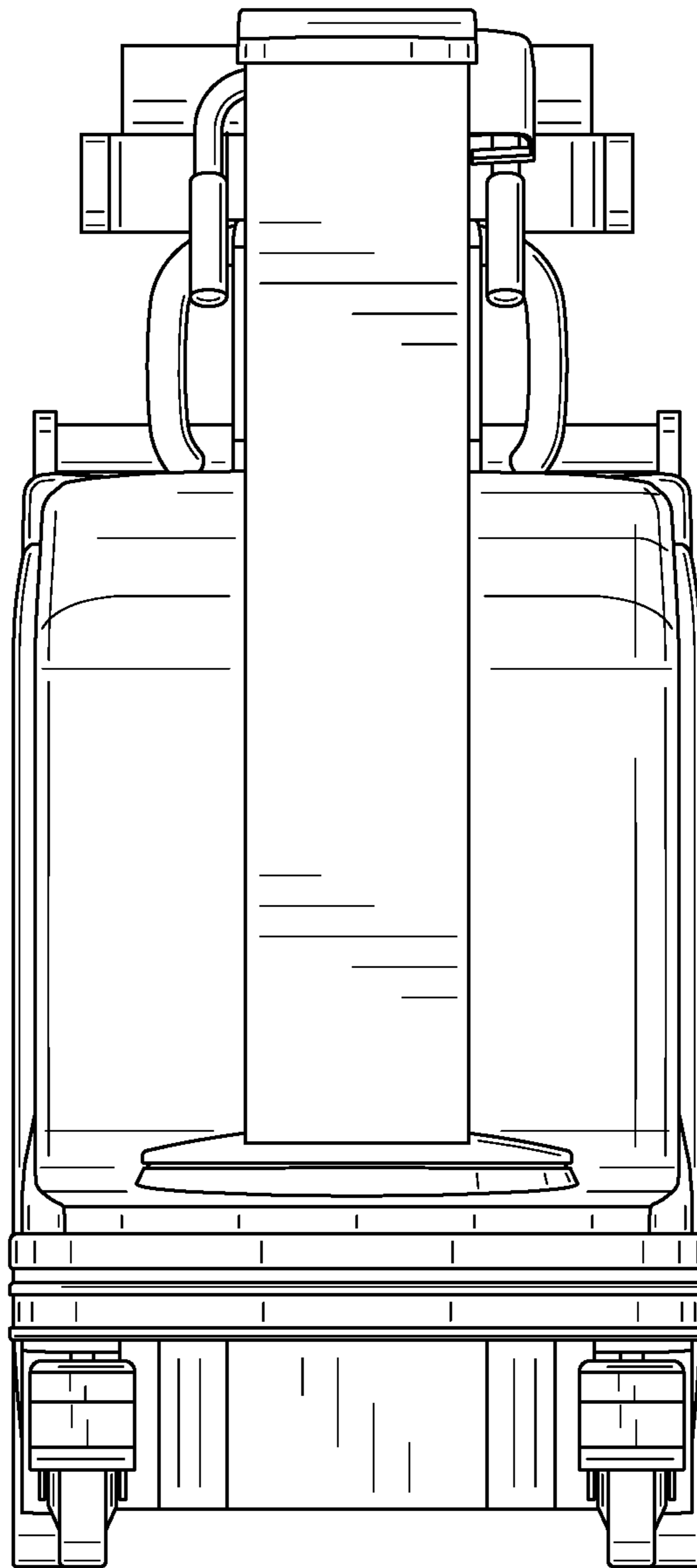


FIG. 2

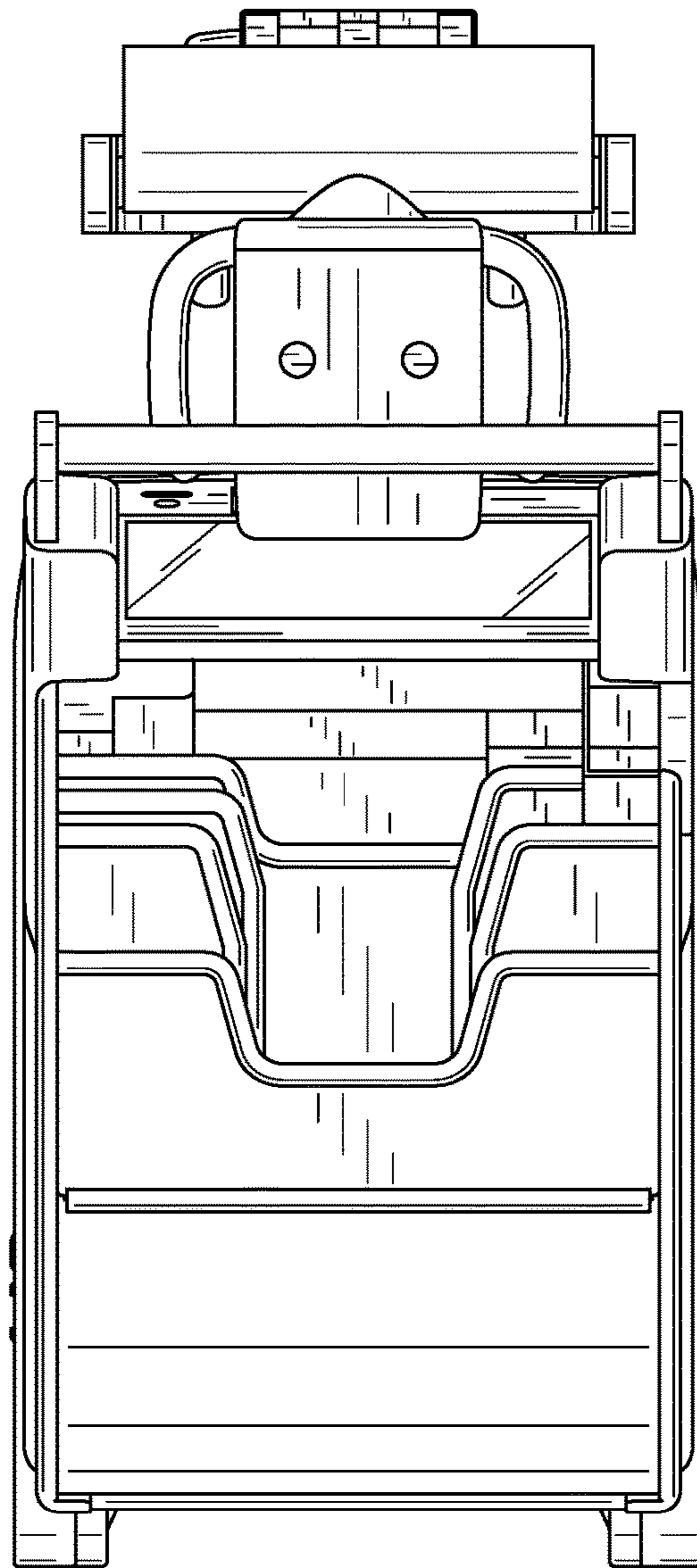


FIG. 3

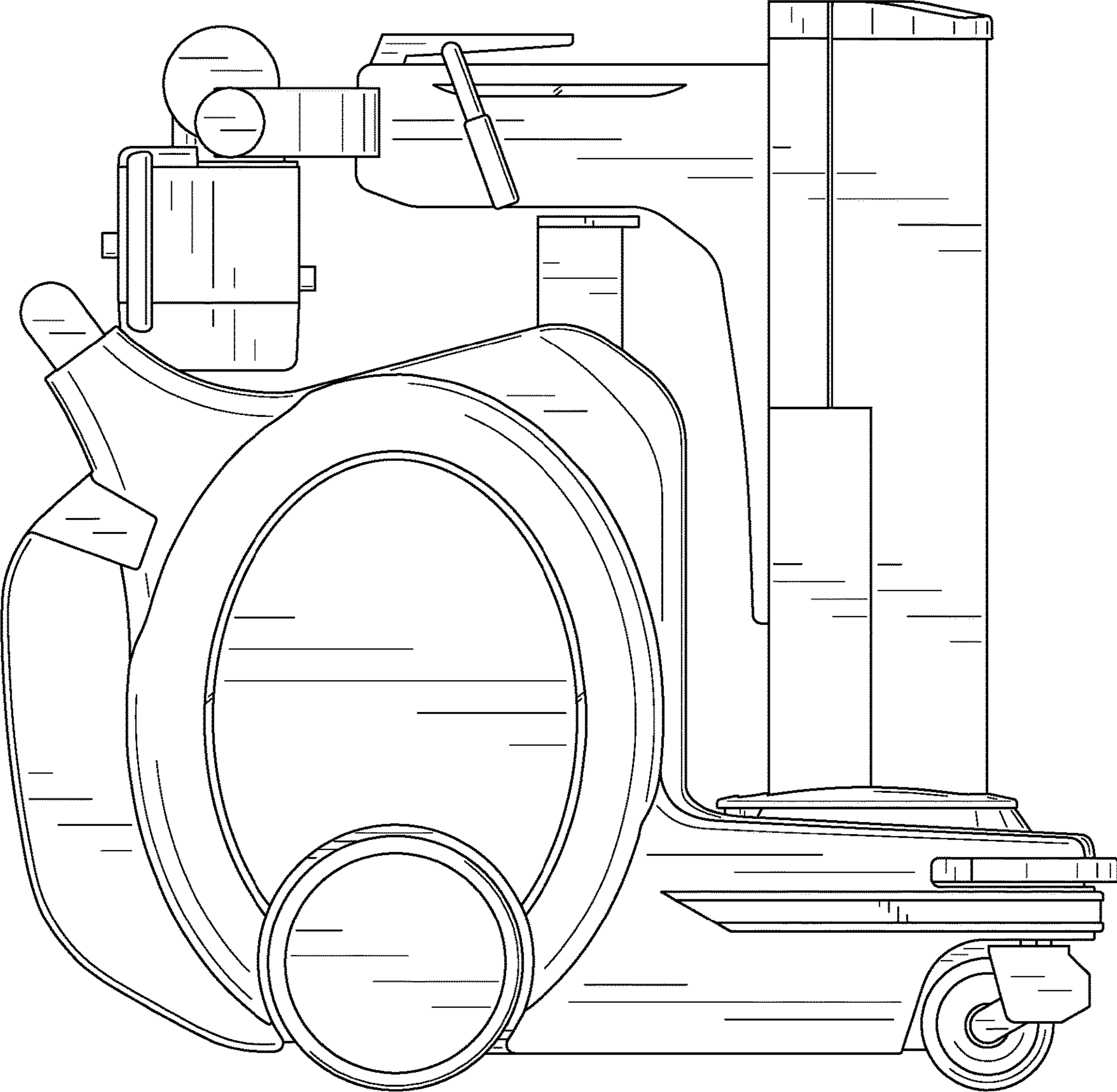


FIG. 4

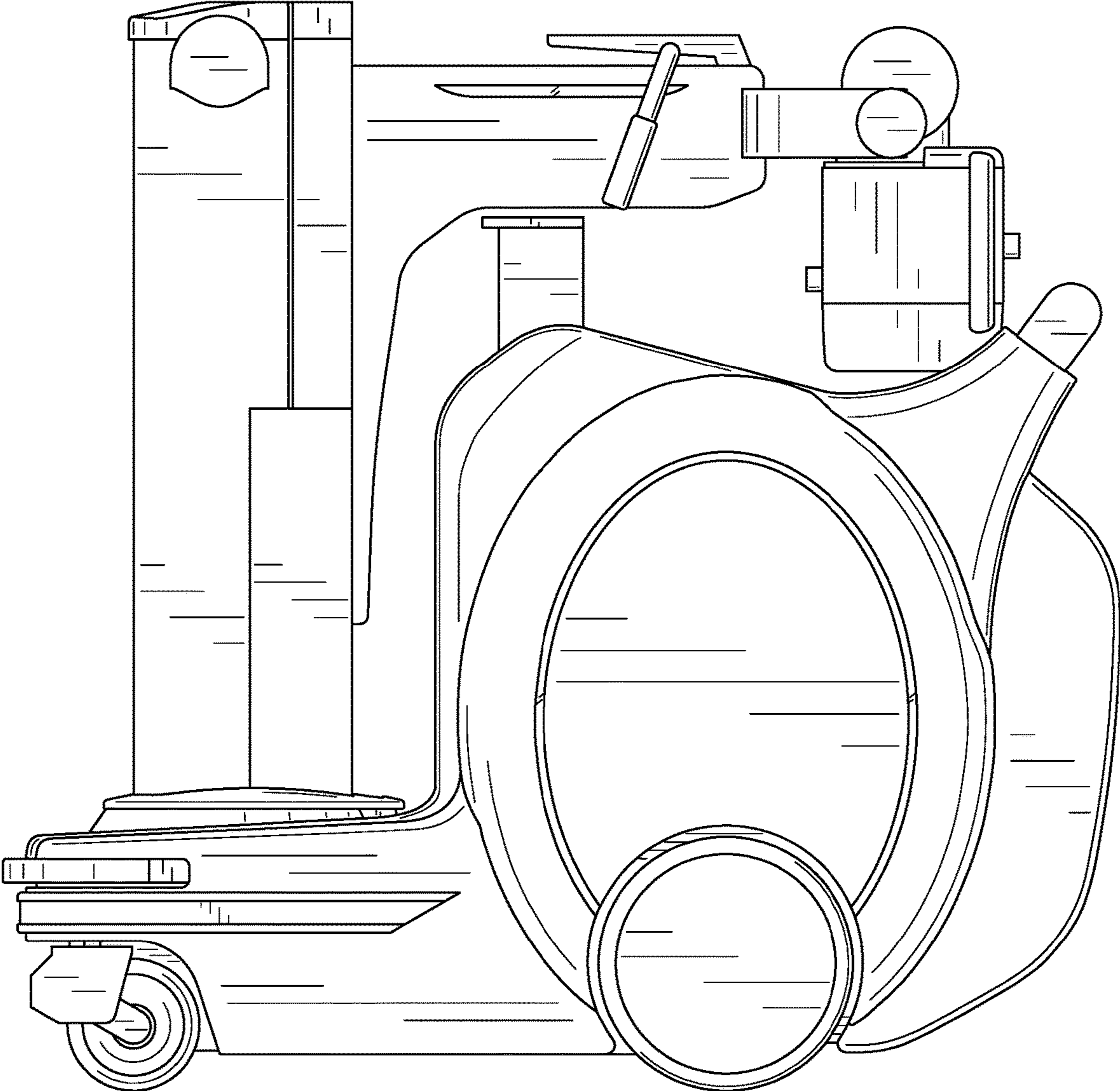


FIG. 5

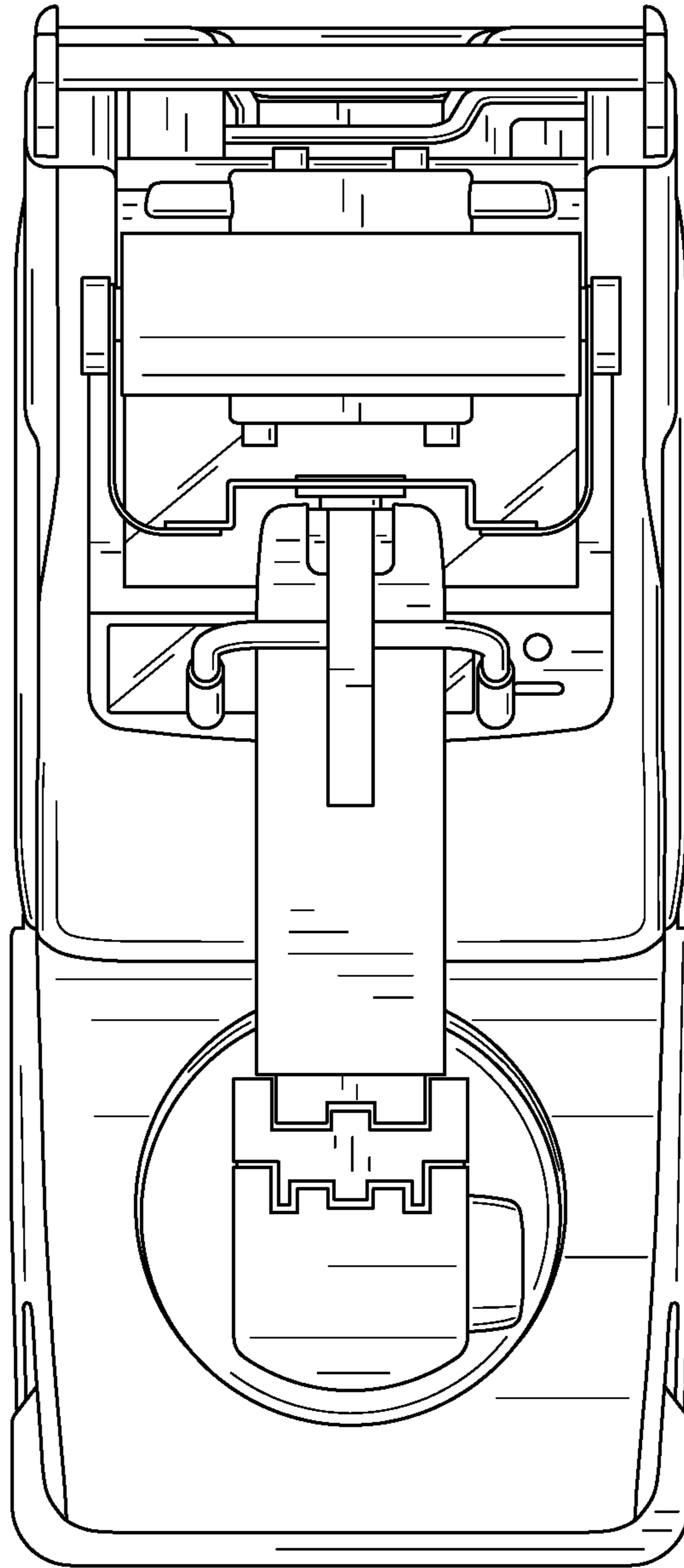


FIG. 6

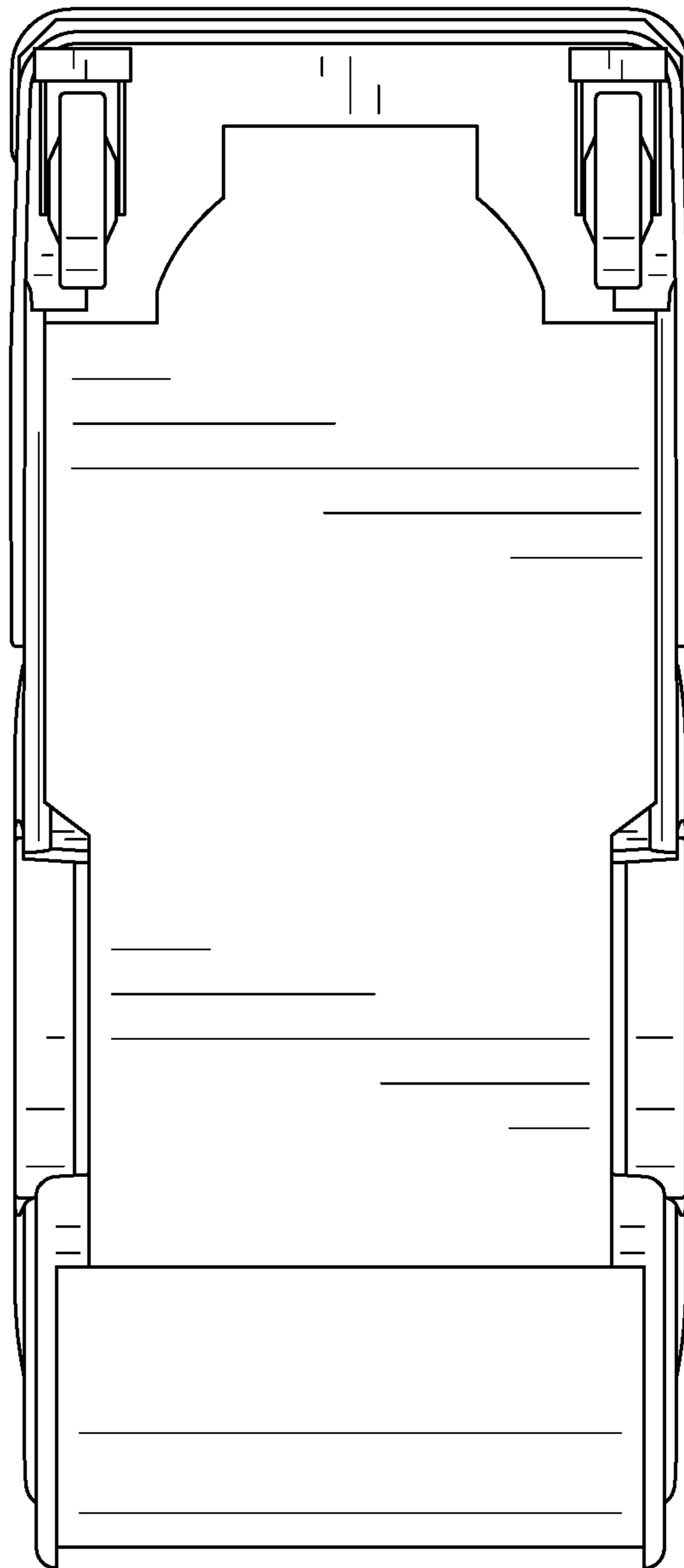


FIG. 7

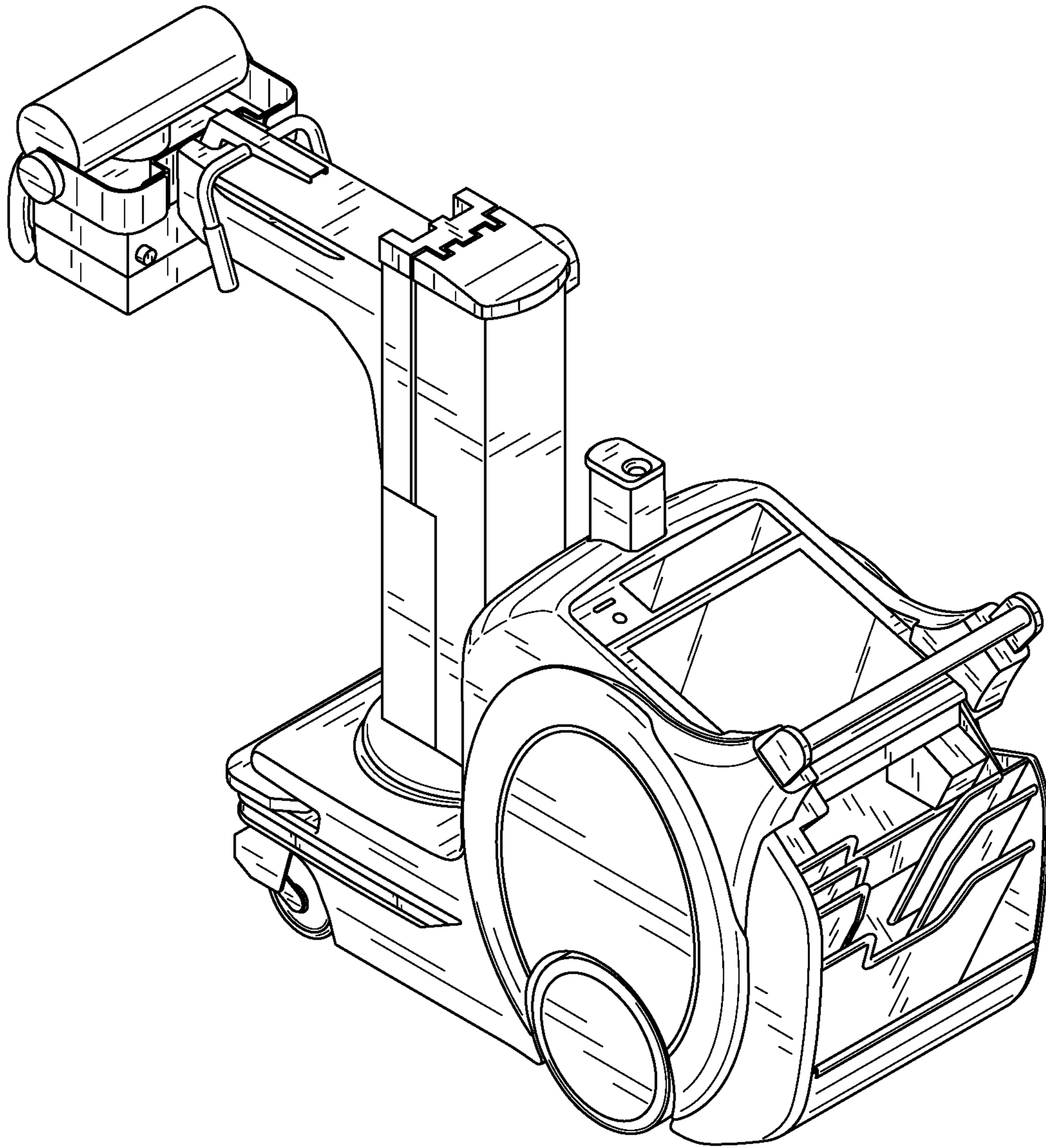


FIG. 8

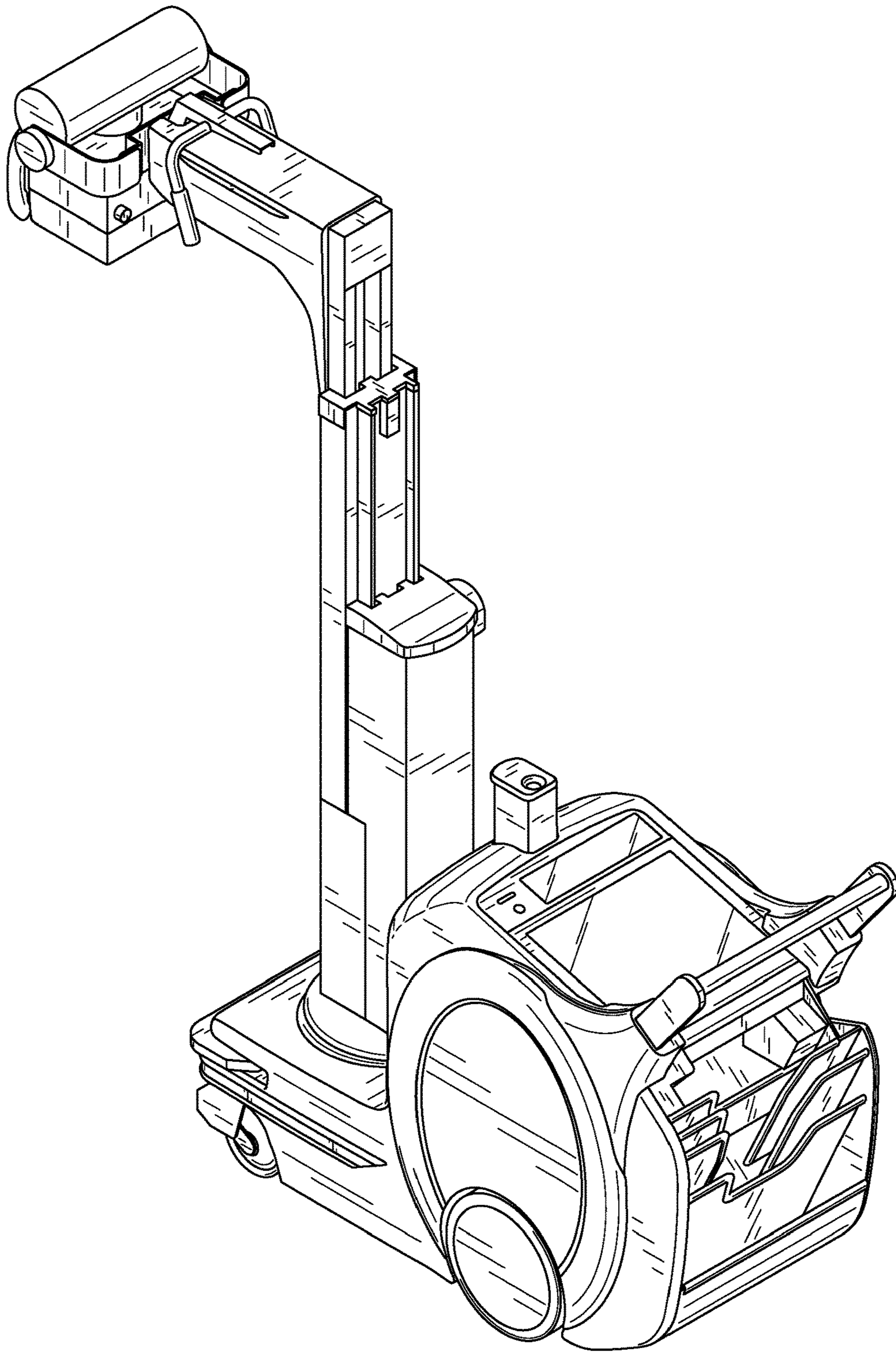


FIG. 9