



US00D835278S

(12) **United States Design Patent**  
**Gottlieb**

(10) **Patent No.:** **US D835,278 S**

(45) **Date of Patent:** **\*\* Dec. 4, 2018**

(54) **LATERAL INTERBODY FUSION DEVICE**

(71) Applicant: **Jamie Gottlieb**, South Lake, TX (US)

(72) Inventor: **Jamie Gottlieb**, South Lake, TX (US)

(73) Assignee: **Ikon Spine LLC**, Austin, TX (US)

(\*\*) Term: **15 Years**

(21) Appl. No.: **29/612,445**

(22) Filed: **Aug. 1, 2017**

(51) **LOC (11) Cl.** ..... **24-03**

(52) **U.S. Cl.**

USPC ..... **D24/155**

(58) **Field of Classification Search**

USPC ..... D24/155

CPC ..... A61F 2/4611; A61F 2/442; A61F 2/447;  
A61F 2220/0025; A61F 2310/00023;  
A61F 2310/00017; A61F 2002/4475;  
A61F 2002/30841; A61F 2002/2835;  
A61F 2002/30904; A61F 2002/30785;  
A61F 2002/443; A61F 2002/30578

See application file for complete search history.

(56) **References Cited**

**U.S. PATENT DOCUMENTS**

D594,986 S *	6/2009	Miles	.....	D24/155
D599,019 S *	8/2009	Pimenta	.....	D24/155
D621,509 S *	8/2010	Lovell	.....	D24/155
D671,645 S *	11/2012	Curran	.....	D24/155
D674,092 S *	1/2013	Lovell	.....	D24/155
D675,320 S *	1/2013	Oi	.....	D24/155
D696,402 S *	12/2013	Oi	.....	D24/155
D721,808 S *	1/2015	Oi	.....	D24/155
D735,336 S *	7/2015	Lovell	.....	D24/155

D747,485 S *	1/2016	Oi	.....	D24/155
D750,252 S *	2/2016	Lovell	.....	D24/155
D754,346 S *	4/2016	Pimenta	.....	D24/155
D759,248 S *	6/2016	Oi	.....	D24/155

\* cited by examiner

*Primary Examiner* — Charles D Hanson

(74) *Attorney, Agent, or Firm* — David O. Simmons; IVC Patent Agency

(57) **CLAIM**

The ornamental design for a lateral interbody fusion device, as shown and described.

**DESCRIPTION**

FIG. 1 is a first rear-side-top perspective view of a lateral interbody fusion device in accordance with an embodiment of the present invention, wherein the corresponding bottom perspective view is identical;

FIG. 2 is second first rear-side-top perspective view of the lateral interbody fusion device shown in FIG. 1, wherein the corresponding bottom perspective view is identical;

FIG. 3 is front-side-top perspective view of the lateral interbody fusion device shown in FIG. 1, wherein the corresponding bottom perspective view is identical;

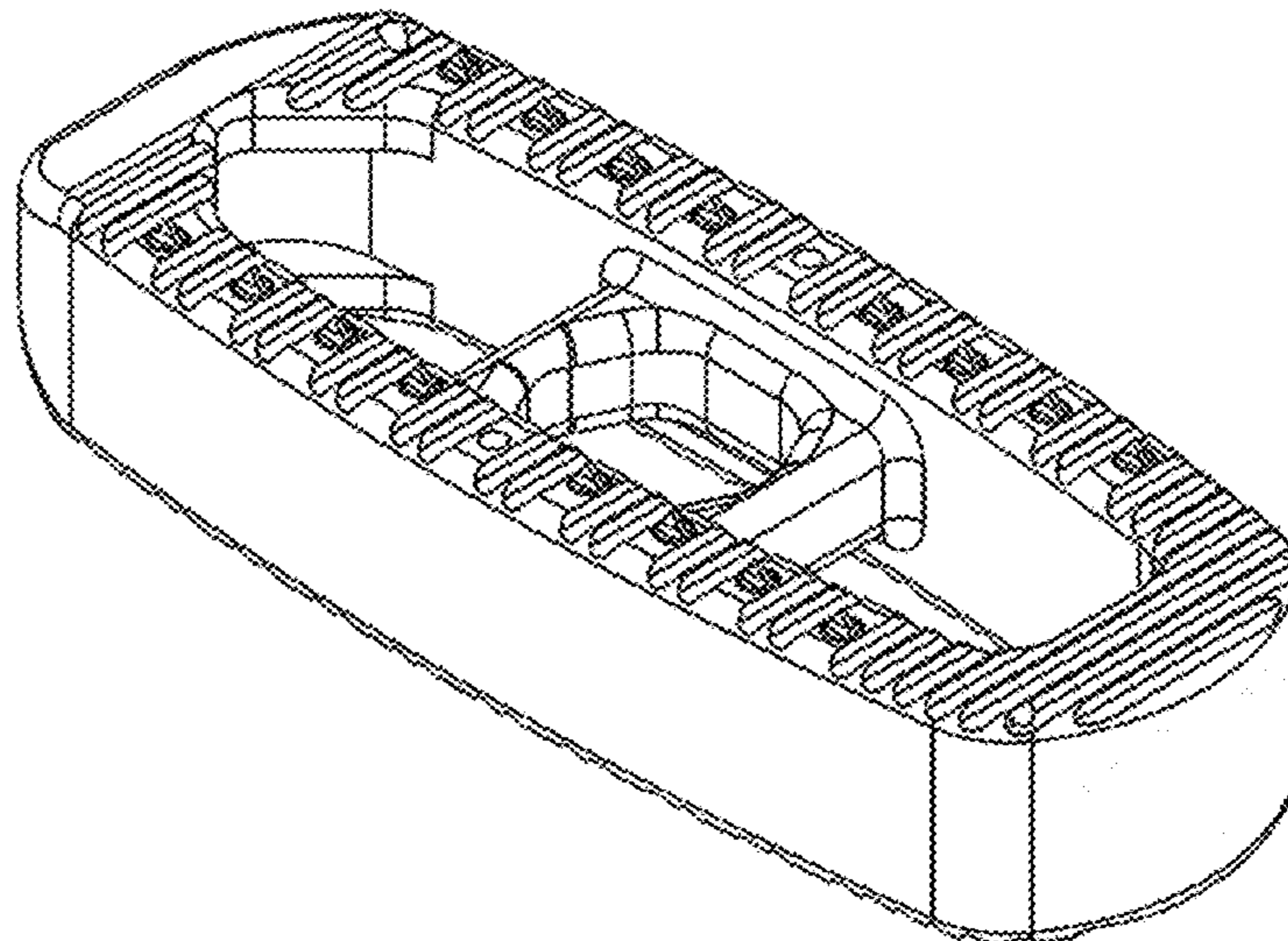
FIG. 4 is top view of the lateral interbody fusion device shown in FIG. 1, wherein a bottom view is identical to the top view;

FIG. 5 is front elevation view of the lateral interbody fusion device shown in FIG. 1;

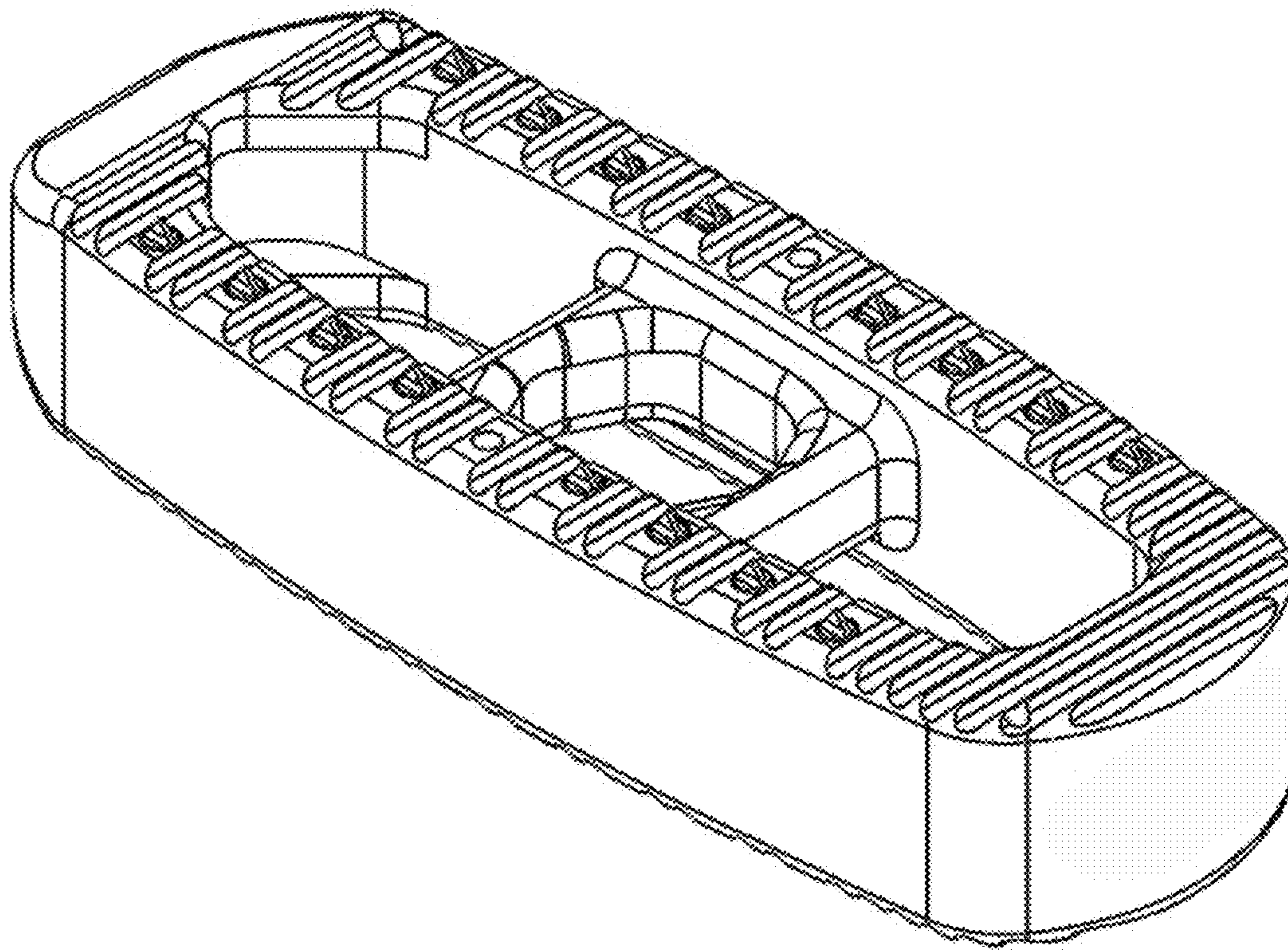
FIG. 6 is a rear elevation view of the lateral interbody fusion device shown in FIG. 1; and,

FIG. 7 is a left-side elevation view of the lateral interbody fusion device shown in FIG. 1, wherein a right-side view is identical to the left-side elevation view.

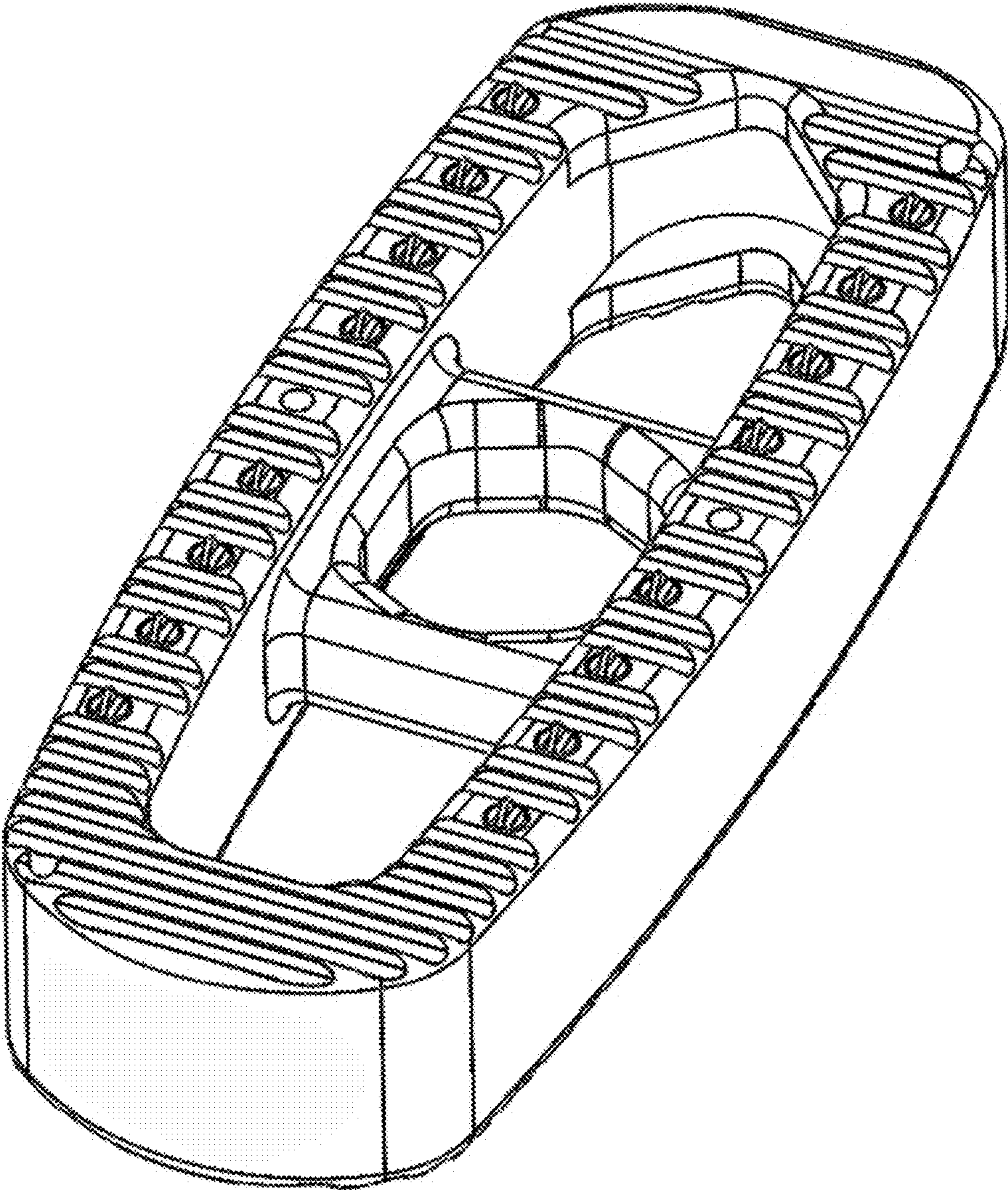
**1 Claim, 6 Drawing Sheets**



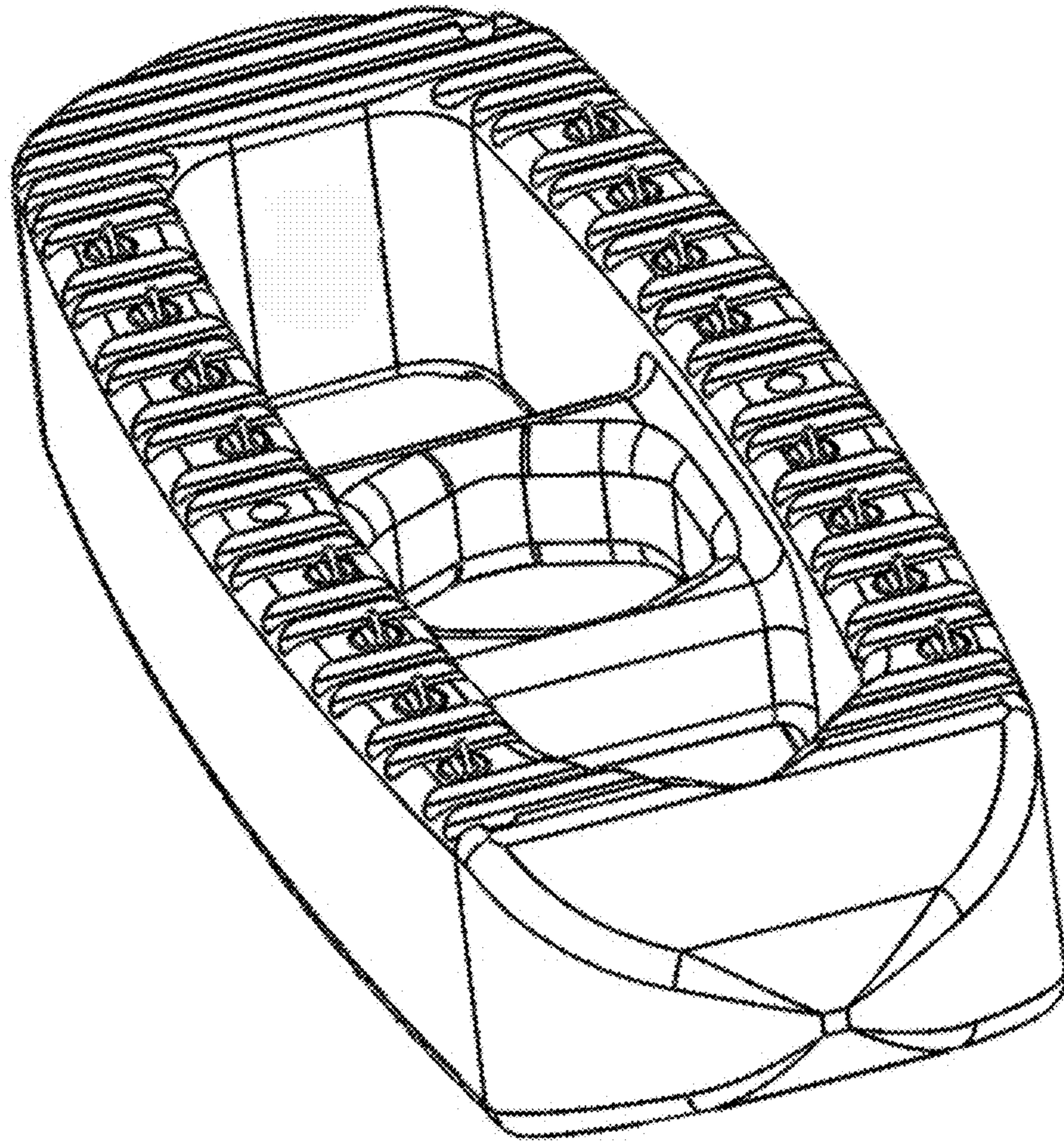
**FIG. 1**



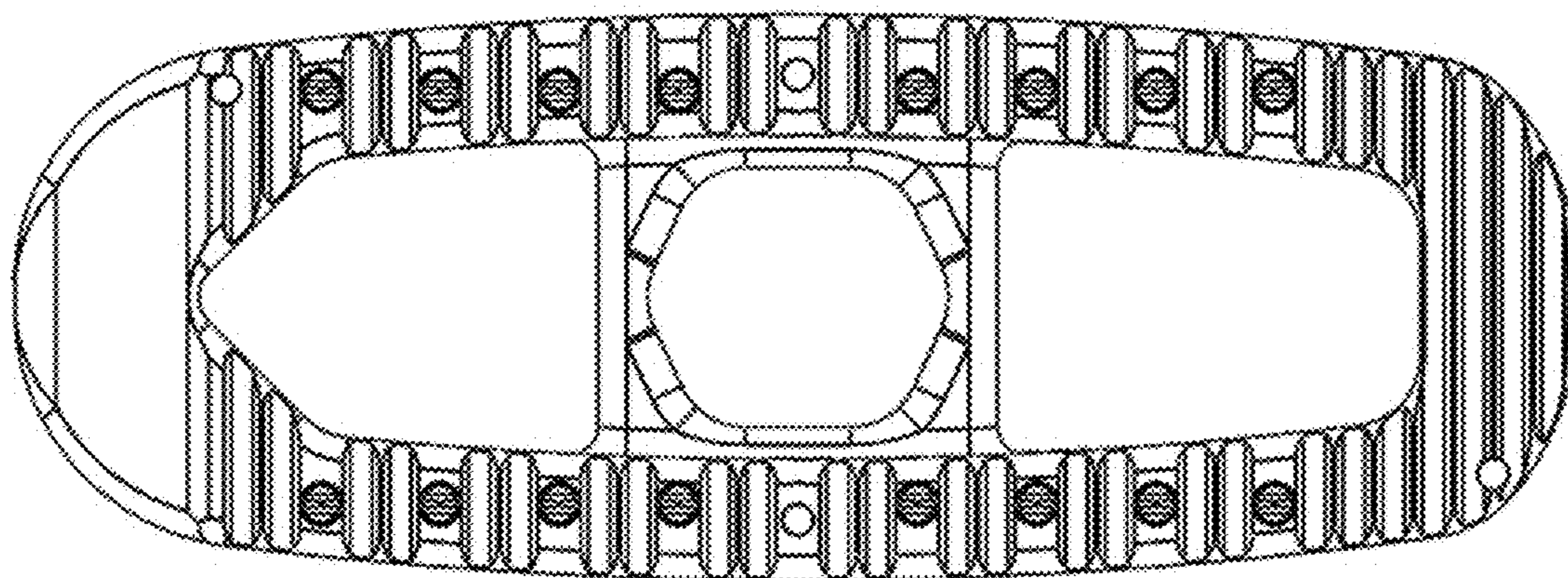
**FIG. 2**



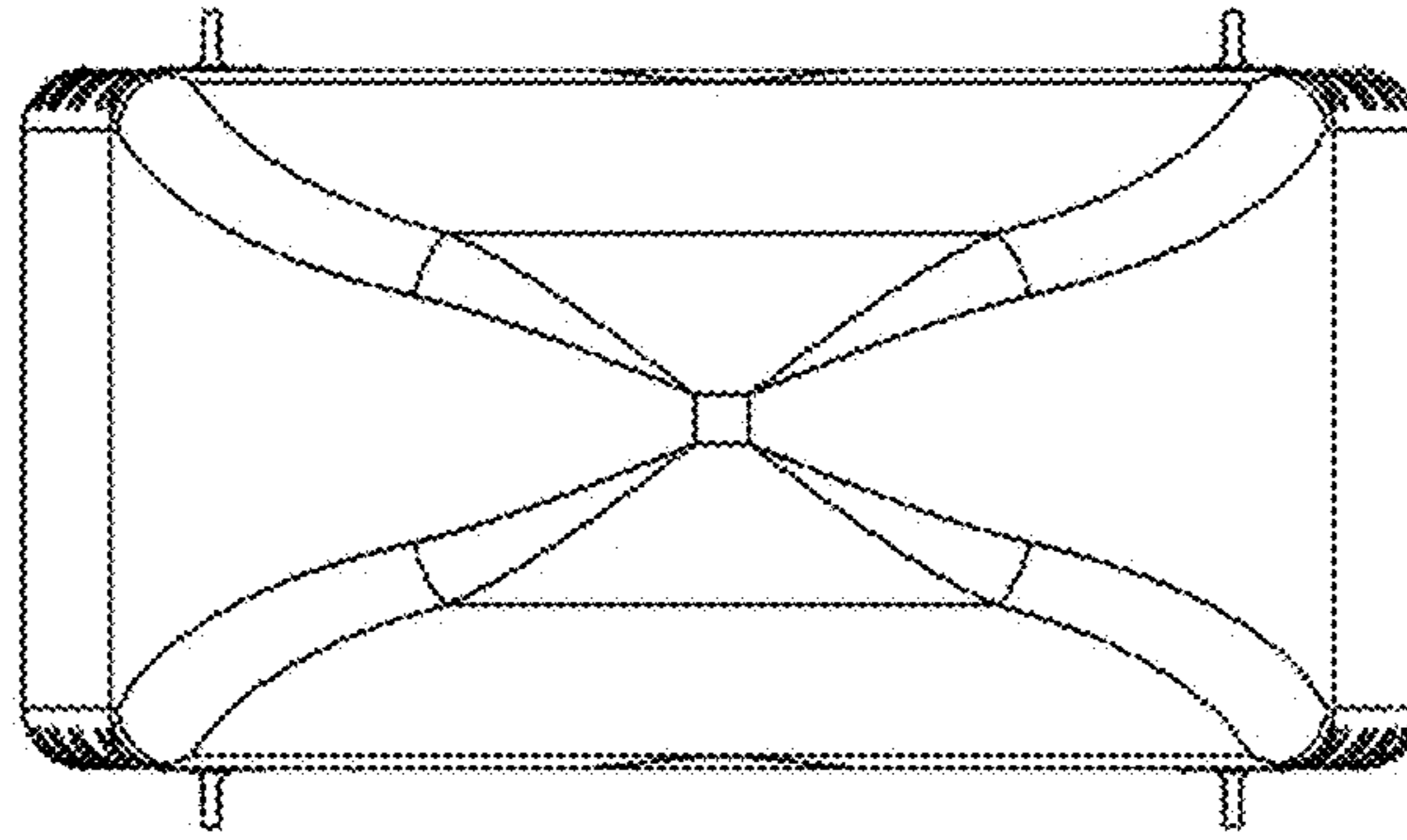
**FIG. 3**



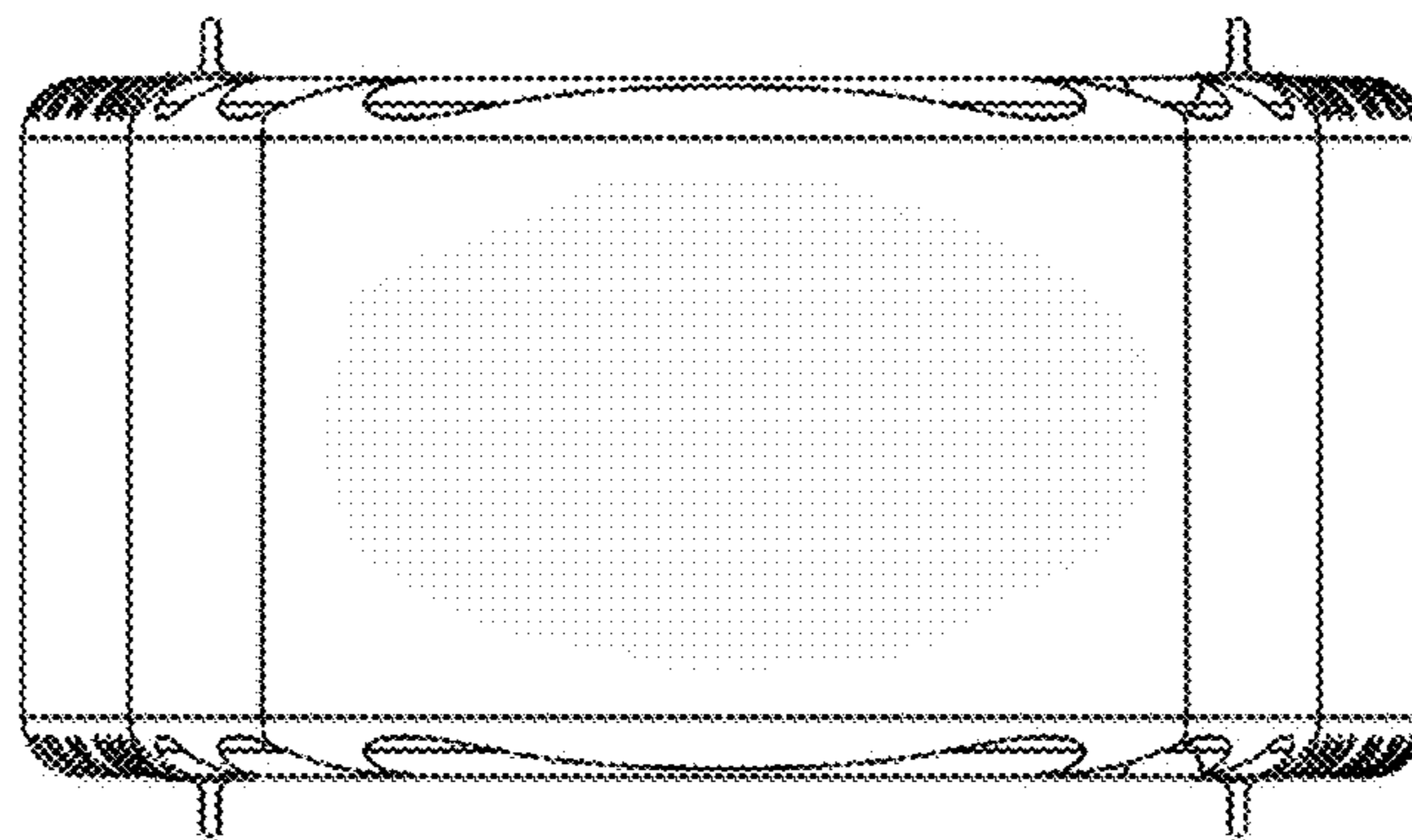
**FIG. 4**



**FIG. 5**



**FIG. 6**



**FIG. 7**

