



US00D835277S

(12) **United States Design Patent**  
**Gottlieb**

(10) **Patent No.:** **US D835,277 S**

(45) **Date of Patent:** **\*\* Dec. 4, 2018**

(54) **ANTERIOR LUMBAR INTERBODY FUSION DEVICE**

(71) Applicant: **Ikon Spine LLC**, Austin, TX (US)

(72) Inventor: **Jamie Gottlieb**, South Lake, TX (US)

(73) Assignee: **Ikon Spine LLC**, Austin, TX (US)

(\*\*) Term: **15 Years**

(21) Appl. No.: **29/612,439**

(22) Filed: **Aug. 1, 2017**

(51) **LOC (11) Cl.** ..... **24-03**

(52) **U.S. Cl.**  
USPC ..... **D24/155**

(58) **Field of Classification Search**  
USPC ..... D24/155  
CPC ..... A61F 2/4611; A61F 2/442; A61F 2/447;  
A61F 2220/0025; A61F 2310/00023;  
A61F 2310/00017; A61F 2002/4475;  
A61F 2002/30841; A61F 2002/2835;  
A61F 2002/30904; A61F 2002/30785;  
A61F 2002/443; A61F 2002/30578  
See application file for complete search history.

(56) **References Cited**

U.S. PATENT DOCUMENTS

7,637,950	B2 *	12/2009	Bacelli	.....	A61F 2/4455	623/17.11
D619,255	S *	7/2010	Richter	.....	D24/155	
D682,427	S *	5/2013	Farris	.....	A61F 2/447	D24/155
D692,136	S *	10/2013	Tyber	.....	D24/155	
8,740,983	B1 *	6/2014	Arnold	.....	A61F 2/4455	623/17.16
D708,747	S *	7/2014	Curran	.....	D24/155	
D711,537	S *	8/2014	Pimenta	.....	D24/155	

2008/0306596	A1 *	12/2008	Jones	.....	A61F 2/4455	623/17.16
2010/0087925	A1 *	4/2010	Kostuik	.....	A61F 2/447	623/17.16
2012/0303128	A1 *	11/2012	Ullrich, Jr.	.....	A61F 2/4465	623/17.16

\* cited by examiner

*Primary Examiner* — Charles D Hanson

(74) *Attorney, Agent, or Firm* — David O. Simmons; IVC Patent Agency

(57) **CLAIM**

The ornamental design for an anterior lumber interbody fusion device, as shown and described.

**DESCRIPTION**

FIG. 1 is a front-side-top perspective view of an anterior lumber interbody fusion device in accordance with an embodiment of the present invention, wherein the corresponding bottom perspective view is identical;

FIG. 2 is rear-side-top perspective view of the anterior lumber interbody fusion device shown in FIG. 1, wherein the corresponding bottom perspective view is identical;

FIG. 3 is front-top perspective view of the anterior lumber interbody fusion device shown in FIG. 1, wherein the corresponding bottom perspective view is identical;

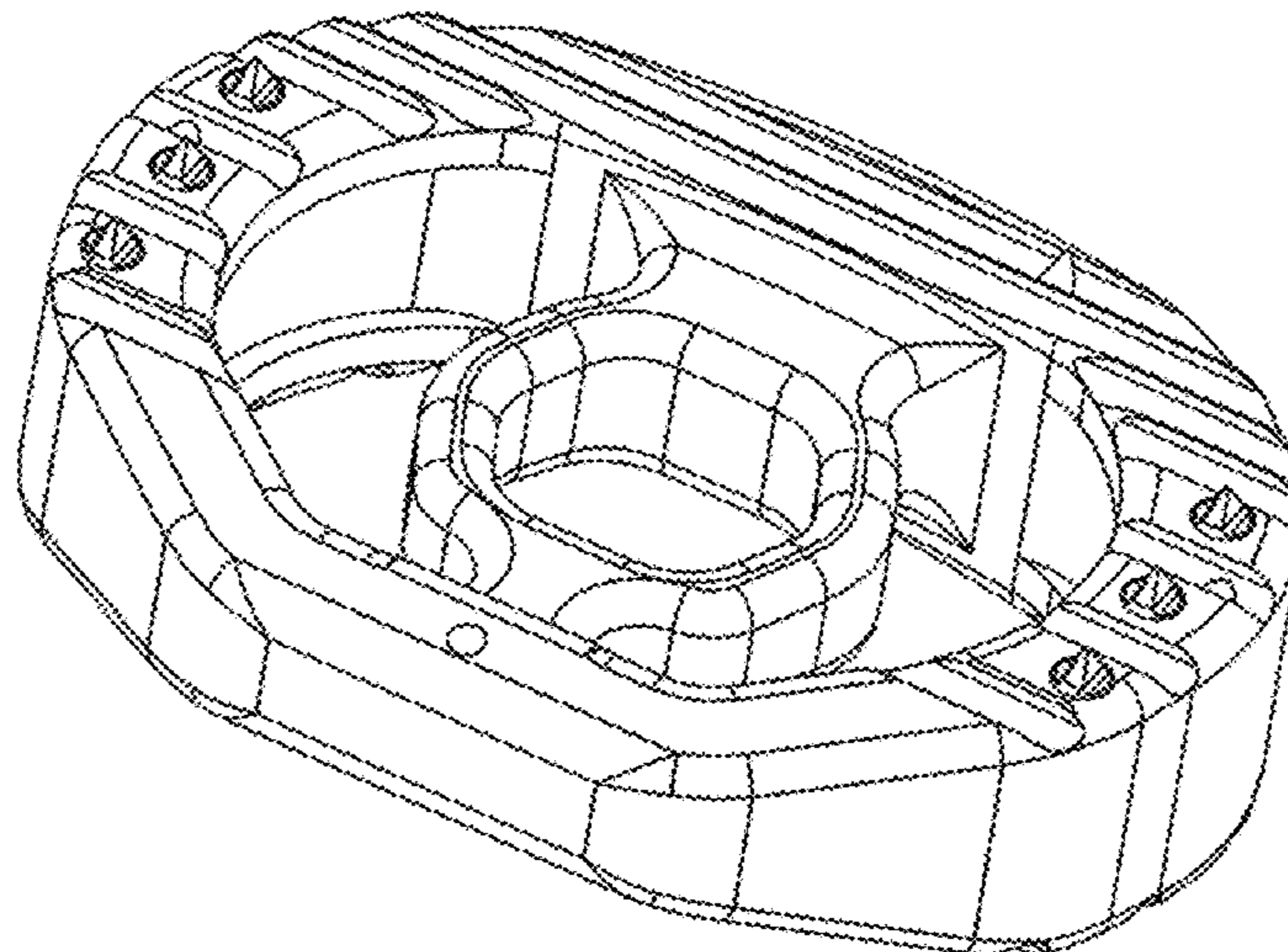
FIG. 4 is top view of the anterior lumber interbody fusion device shown in FIG. 1, wherein a bottom view is identical to the top view;

FIG. 5 is front elevation view of the anterior lumber interbody fusion device shown in FIG. 1;

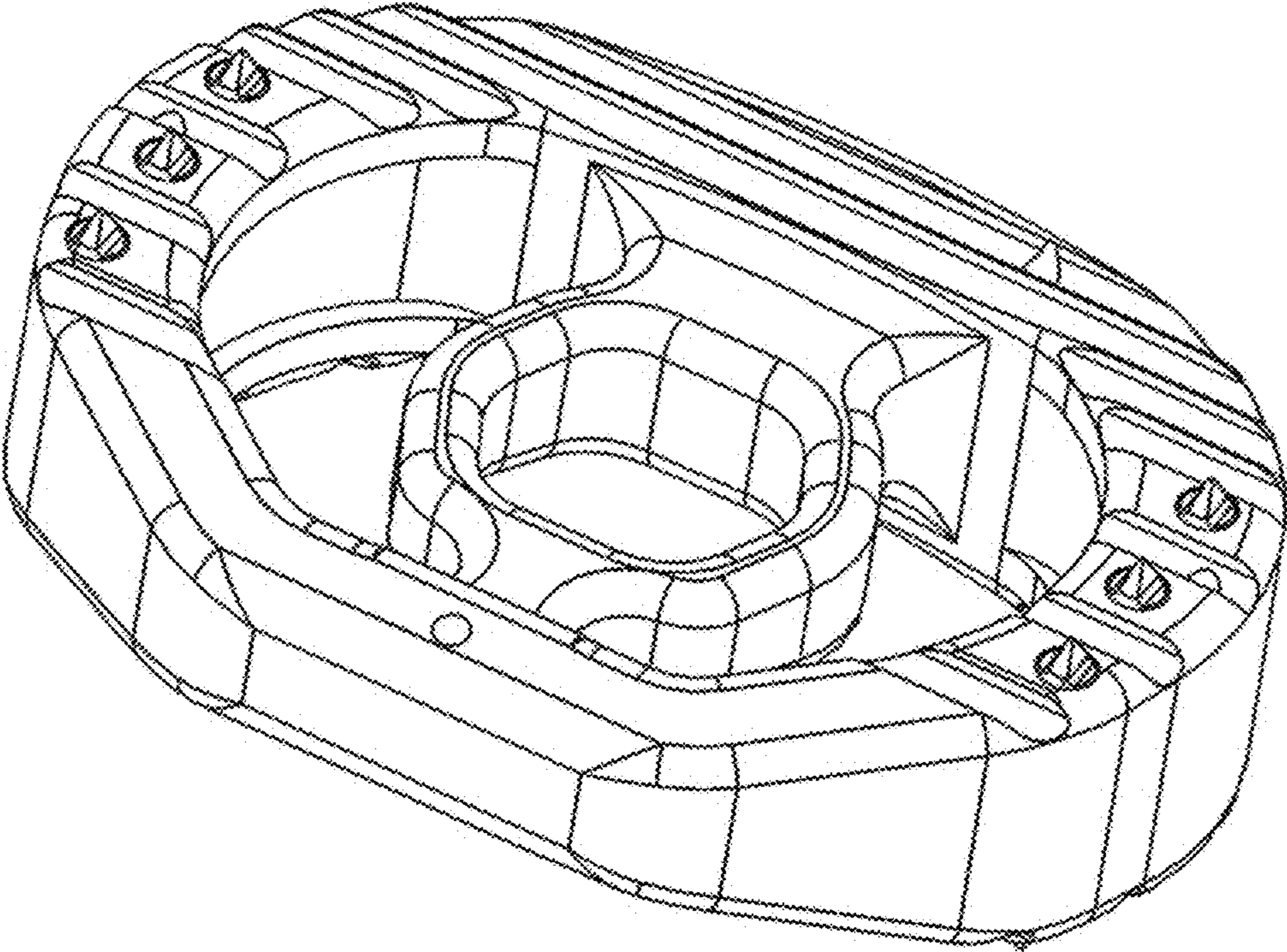
FIG. 6 is a rear elevation view of the anterior lumber interbody fusion device shown in FIG. 1; and,

FIG. 7 is a right-side elevation view of the anterior lumber interbody fusion device shown in FIG. 1, wherein a left-side view is identical to the right-side elevation view.

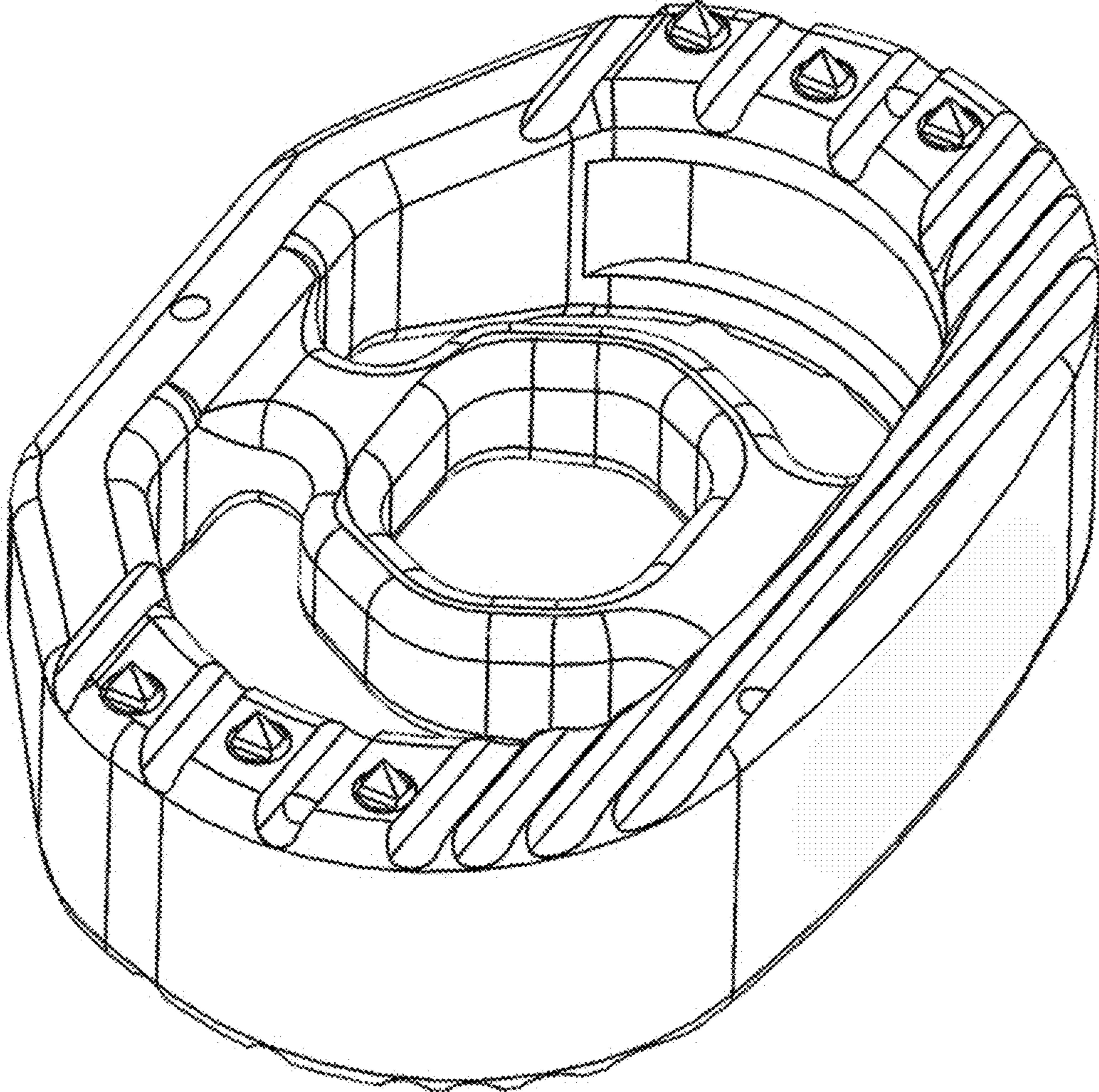
**1 Claim, 5 Drawing Sheets**



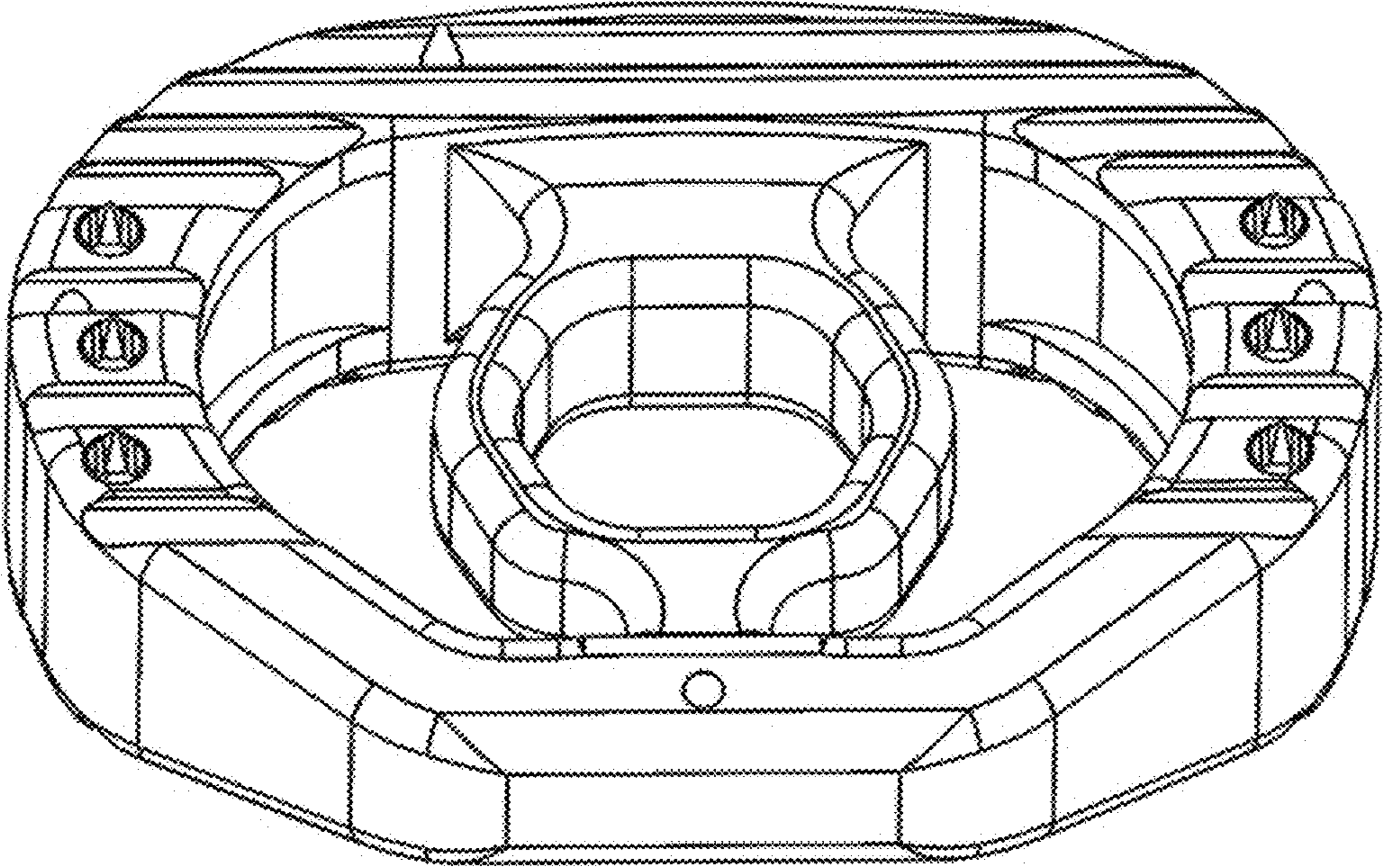
**FIG. 1**



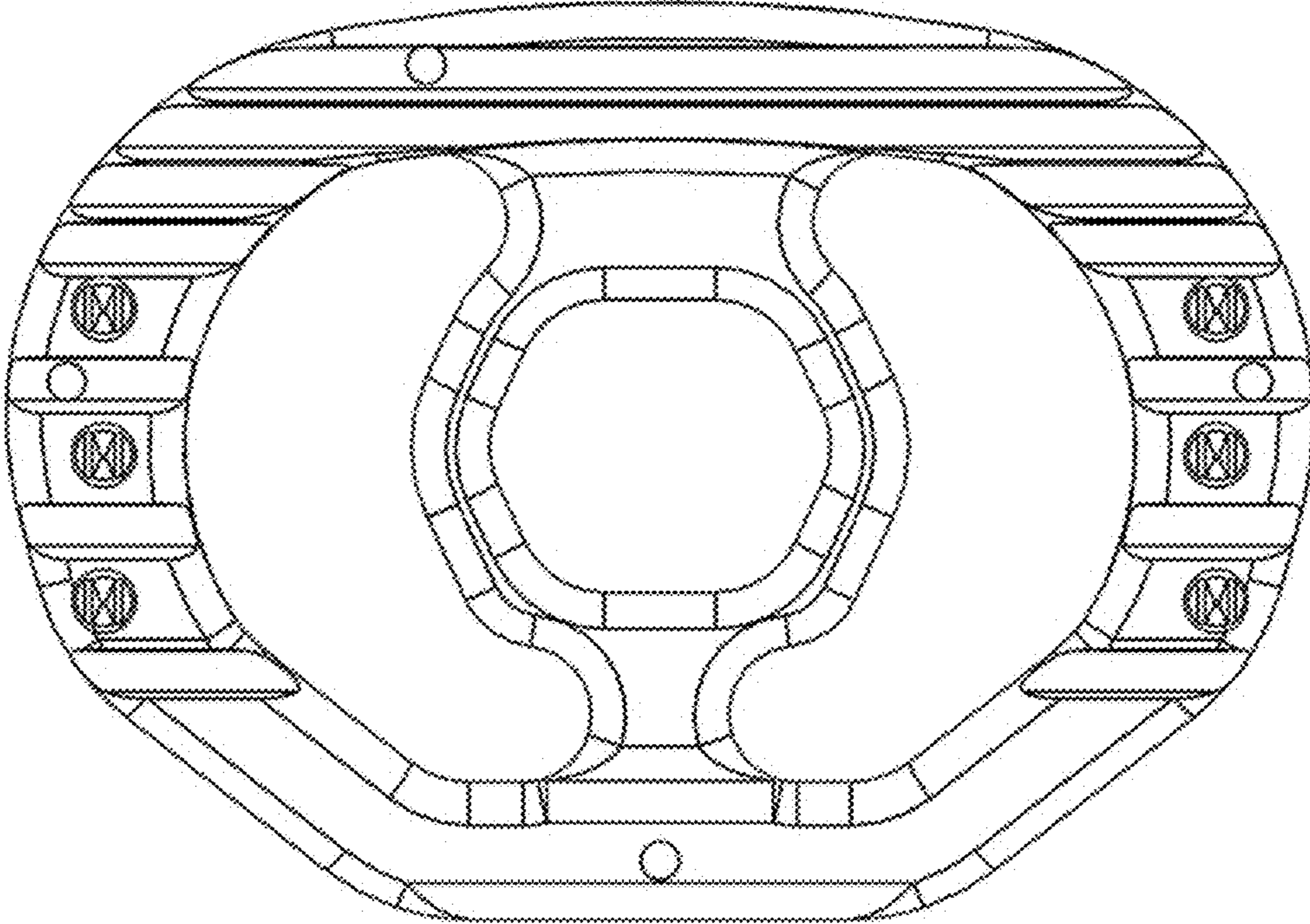
**FIG. 2**



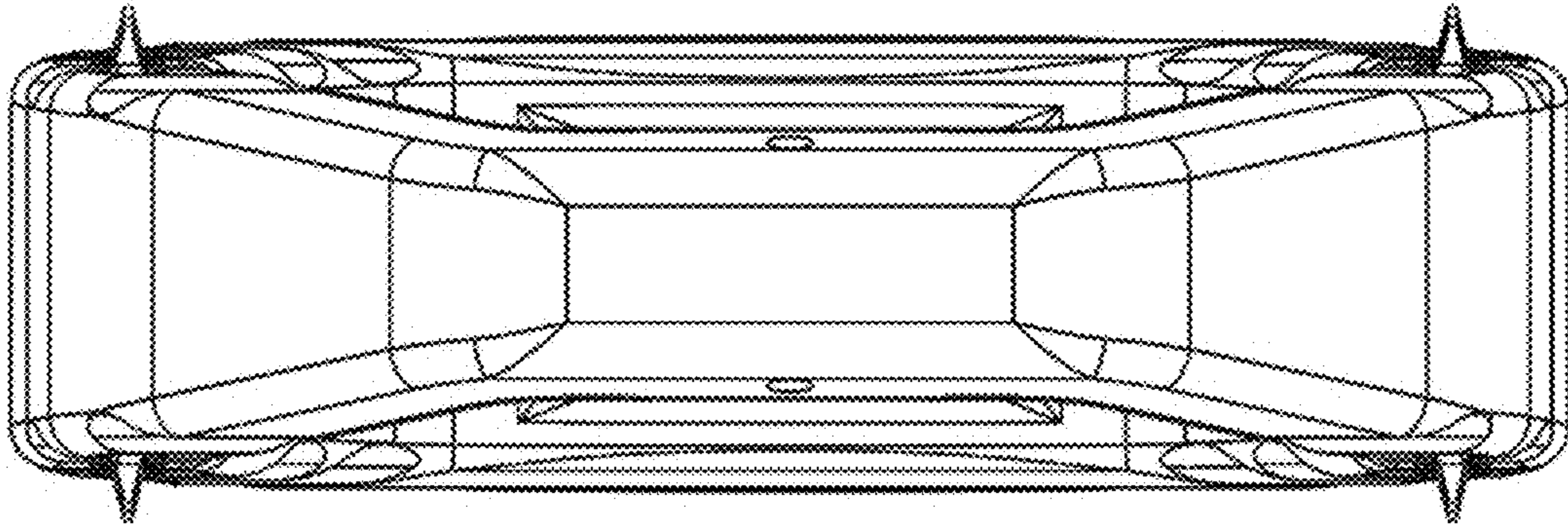
**FIG. 3**



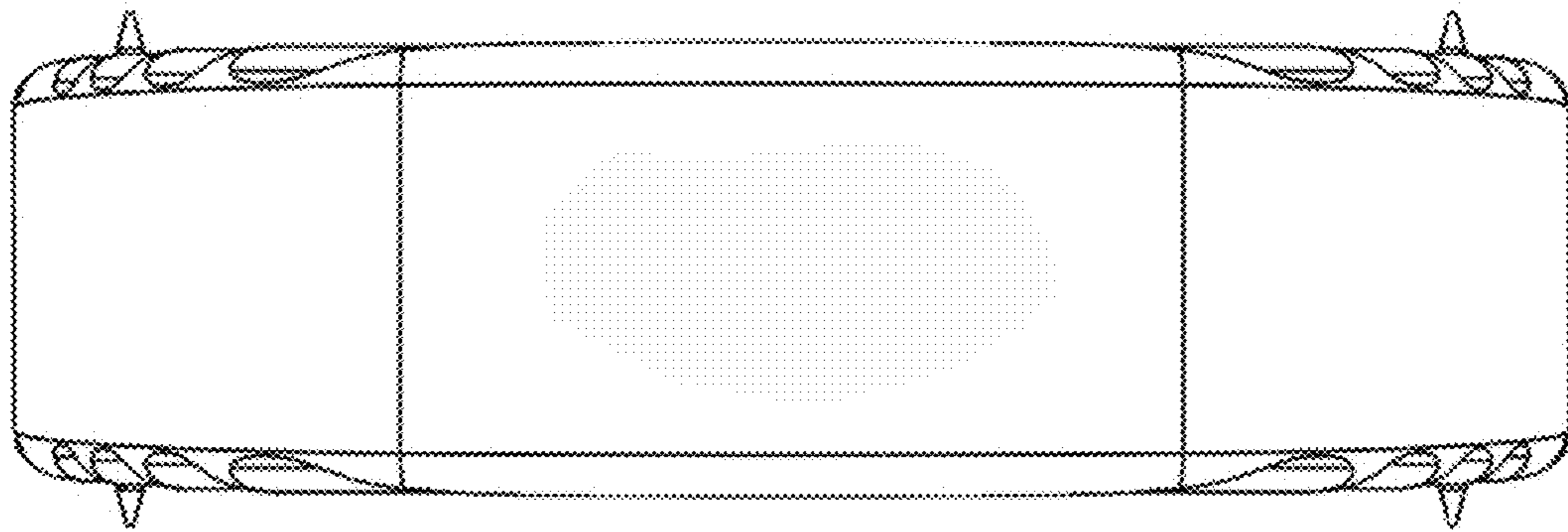
**FIG. 4**



**FIG. 5**



**FIG. 6**



**FIG. 7**

