



US00D835276S

(12) **United States Design Patent** (10) **Patent No.:** **US D835,276 S**
Humphrey (45) **Date of Patent:** **** Dec. 4, 2018**

(54) **KEELED GLENOID**

5,593,448 A 1/1997 Dong
5,702,447 A 12/1997 Walch et al.
5,702,457 A 12/1997 Walch et al.
5,723,018 A 3/1998 Cyprien et al.
(Continued)

(71) Applicant: **SHOULDER OPTIONS, INC.**,
Waxhaw, NC (US)

(72) Inventor: **C Scott Humphrey**, Eagle, ID (US)

FOREIGN PATENT DOCUMENTS

(73) Assignee: **United Orthopedic Corporation** (TW)

WO WO2011073169 A1 6/2011
WO WO2012125704 A2 9/2012

(**) Term: **15 Years**

OTHER PUBLICATIONS

(21) Appl. No.: **29/539,234**

Anatomical Shoulder System by Zimmer (Product Literature).
(Continued)

(22) Filed: **Sep. 11, 2015**

(51) **LOC (11) Cl.** **24-02**

(52) **U.S. Cl.**
USPC **D24/155**

Primary Examiner — Charles D Hanson
(74) *Attorney, Agent, or Firm* — McNeese Wallace &
Nurick; Diane H. Dobrea

(58) **Field of Classification Search**
USPC D24/155
CPC A61F 2/4081; A61F 2/40; A61F
2002/30878; A61F 2002/30884; A61F
2002/30881; A61F 2002/30897; A61F
2002/30112

See application file for complete search history.

(57) **CLAIM**

I claim the ornamental design for a keeled glenoid, as shown and described.

(56) **References Cited**

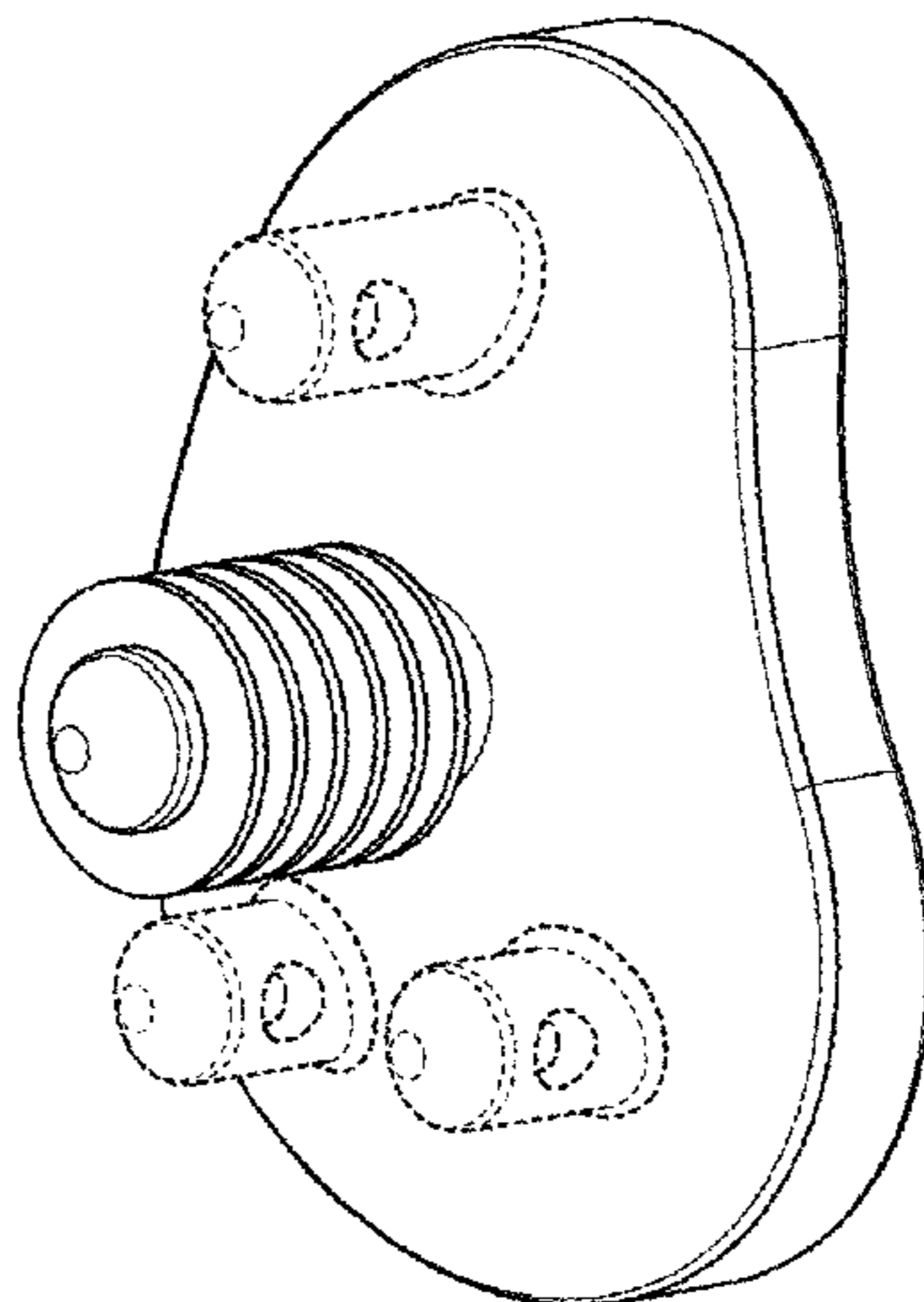
DESCRIPTION

U.S. PATENT DOCUMENTS

3,891,998 A 7/1975 Lennox
4,231,120 A 11/1980 Day
4,261,062 A 4/1981 Amstutz et al.
D285,968 S 9/1986 Kinnett
D285,969 S 9/1986 Kinnett
4,865,605 A * 9/1989 Dines A61F 2/40
623/19.14
4,964,865 A * 10/1990 Burkhead A61F 2/40
623/19.11
5,030,219 A * 7/1991 Matsen, III A61B 17/1624
606/53
5,032,132 A * 7/1991 Matsen, III A61F 2/4081
623/19.11
5,080,673 A 1/1992 Burkhead et al.
5,383,936 A 1/1995 Kubein-Meesenburg et al.
5,489,310 A * 2/1996 Mikhail A61B 17/1684
623/19.11

FIG. 1 is a perspective view of an embodiment of a keeled glenoid showing the new design;
FIG. 2 is a top plan view of the keeled glenoid of FIG. 1;
FIG. 3 is a side elevation view of the keeled glenoid of FIG. 1;
FIG. 4 is a bottom plan view of the keeled glenoid of FIG. 1;
FIG. 5 is a front elevation view of the keeled glenoid of FIG. 1; and,
FIG. 6 is a back elevation view of the keeled glenoid of FIG. 1.
The broken lines in the reproductions are provided for the purpose of illustrating portions of the keeled glenoid that form no part of the claimed design.

1 Claim, 2 Drawing Sheets



(56)

References Cited

U.S. PATENT DOCUMENTS

5,800,551 A	9/1998	Williamson et al.	2002/0082702 A1	6/2002	Resch et al.
6,197,062 B1	3/2001	Fenlin	2003/0097183 A1	5/2003	Rauscher et al.
6,228,119 B1	5/2001	Ondrla et al.	2003/0114933 A1	6/2003	Bouttens et al.
6,364,910 B1	4/2002	Shultz et al.	2003/0125809 A1	7/2003	Iannotti et al.
6,368,353 B1	4/2002	Arcand	2004/0064189 A1	4/2004	Maroney et al.
6,379,386 B1	4/2002	Resch et al.	2005/0060039 A1	3/2005	Cyprien
6,406,495 B1 *	6/2002	Schoch A61F 2/4081 623/19.11	2005/0209700 A1	9/2005	Rockwood, Jr. et al.
6,514,287 B2	2/2003	Ondrla et al.	2005/0261775 A1	11/2005	Baum et al.
6,673,115 B2	1/2004	Resch et al.	2006/0009852 A1	1/2006	Winslow et al.
6,699,289 B2	3/2004	Iannotti et al.	2006/0069444 A1	3/2006	Deffenbaugh
6,719,799 B1	4/2004	Kropf	2006/0074430 A1 *	4/2006	Deffenbaugh A61B 17/1617 606/87
6,783,549 B1	8/2004	Stone et al.	2006/0079963 A1	4/2006	Hansen
6,911,047 B2	6/2005	Rockwood, Jr. et al.	2006/0111787 A1	5/2006	Bailie et al.
6,953,478 B2	10/2005	Bouttens et al.	2006/0195194 A1	8/2006	Gunther
7,160,328 B2	1/2007	Rockwood, Jr. et al.	2007/0016304 A1	1/2007	Chudik
7,175,663 B1	2/2007	Stone	2007/0055380 A1 *	3/2007	Berelsman A61F 2/4081 623/19.11
7,204,854 B2 *	4/2007	Guederian A61B 17/864 623/19.11	2007/0142917 A1 *	6/2007	Roche A61F 2/4081 623/19.11
7,329,284 B2	2/2008	Maroney et al.	2007/0179624 A1	8/2007	Stone et al.
7,462,197 B2	12/2008	Tornier et al.	2007/0219637 A1 *	9/2007	Berelsman A61F 2/4081 623/19.11
7,470,287 B2	12/2008	Tornier et al.	2007/0225817 A1 *	9/2007	Reubelt A61F 2/4081 623/19.11
7,604,665 B2	10/2009	Iannotti et al.	2007/0225818 A1	9/2007	Reubelt et al.
7,621,961 B2	11/2009	Stone	2007/0244564 A1	10/2007	Ferrand et al.
7,753,959 B2	7/2010	Berelsman et al.	2009/0062923 A1	3/2009	Swanson
7,854,768 B2	12/2010	Wiley et al.	2009/0125113 A1 *	5/2009	Guederian A61F 2/4081 623/19.11
7,879,275 B2	2/2011	Smith et al.	2009/0149961 A1	6/2009	Dallmann
7,892,287 B2	2/2011	Deffenbaugh	2010/0016975 A1	1/2010	Iannotti et al.
7,922,769 B2	4/2011	Deffenbaugh et al.	2010/0087876 A1	4/2010	Gunther
7,959,680 B2	6/2011	Stone et al.	2010/0087877 A1	4/2010	Gunther
8,007,538 B2	8/2011	Gunther	2010/0145393 A1	6/2010	Fallin et al.
8,014,984 B2	9/2011	Iannotti et al.	2010/0161065 A1 *	6/2010	Williams, Jr. A61F 2/4081 623/19.11
8,038,719 B2	10/2011	Gunther	2010/0211183 A1	8/2010	Chi
8,048,161 B2 *	11/2011	Guederian A61F 2/4081 623/17.11	2010/0228352 A1	9/2010	Courtney, Jr. et al.
8,062,376 B2	11/2011	Shultz et al.	2010/0249938 A1	9/2010	Gunther et al.
8,070,820 B2	12/2011	Winslow et al.	2010/0274359 A1	10/2010	Brunnarius et al.
8,080,063 B2	12/2011	Ferrand et al.	2011/0035013 A1 *	2/2011	Winslow A61F 2/4003 623/19.13
8,182,542 B2	5/2012	Ferko	2011/0035018 A1	2/2011	Deffenbaugh et al.
8,246,687 B2	8/2012	Katrana et al.	2011/0054625 A1	3/2011	Ferko et al.
8,287,600 B2	10/2012	Angibaud	2011/0112648 A1	5/2011	Gunther
8,380,471 B2	2/2013	Iannotti et al.	2011/0118846 A1	5/2011	Katrana et al.
8,425,614 B2	4/2013	Winslow et al.	2011/0125273 A1	5/2011	Ratron et al.
8,449,617 B1	5/2013	McDaniel et al.	2011/0144758 A1	6/2011	Deffenbaugh
8,480,750 B2	7/2013	Long	2011/0178603 A1	7/2011	Long
8,556,980 B2	10/2013	Deffenbaugh	2011/0276144 A1	11/2011	Wirth et al.
8,632,598 B2	1/2014	McDaniel et al.	2012/0029647 A1	2/2012	Winslow et al.
8,663,335 B2	3/2014	Katrana et al.	2012/0089233 A1	4/2012	Capon et al.
8,673,015 B2	3/2014	Maroney et al.	2012/0109321 A1	5/2012	Stone et al.
8,690,952 B2	4/2014	Dallmann	2012/0130498 A1	5/2012	Long
8,696,677 B2	4/2014	Chavarria et al.	2012/0130499 A1	5/2012	Long
8,702,804 B2	4/2014	Smith et al.	2012/0221111 A1	8/2012	Burkhead, Jr. et al.
8,721,726 B2	5/2014	Capon et al.	2012/0232667 A1	9/2012	Katrana et al.
8,721,727 B2	5/2014	Ratron et al.	2012/0239051 A1	9/2012	De Wilde et al.
8,721,728 B2	5/2014	Winslow et al.	2012/0277880 A1	11/2012	Winslow et al.
8,778,028 B2	7/2014	Gunther et al.	2012/0296439 A1	11/2012	Slavitt
8,845,750 B2	9/2014	Slavitt	2013/0060341 A1	3/2013	Tornier et al.
8,876,907 B2 *	11/2014	Baptista A61F 2/4081 623/19.11	2013/0066433 A1	3/2013	Veronesi et al.
8,882,845 B2	11/2014	Wirth et al.	2013/0090736 A1	4/2013	Katrana et al.
8,932,361 B2	1/2015	Tornier et al.	2013/0090737 A1	4/2013	Flaherty et al.
D730,522 S *	5/2015	Goldberg A61F 2/4081 D24/155	2013/0123929 A1	5/2013	McDaniel et al.
9,248,022 B2 *	2/2016	Lappin A61F 2/30734	2013/0166033 A1	6/2013	Gunther
D760,900 S *	7/2016	Humphrey D24/155	2013/0190881 A1	7/2013	Winslow et al.
9,474,619 B2	10/2016	Reubelt et al.	2013/0197651 A1	8/2013	McDaniel et al.
9,498,334 B2 *	11/2016	Lappin A61F 2/30734	2013/0297030 A1	11/2013	Katrana
9,788,957 B2 *	10/2017	Koka A61F 2/4081	2013/0333187 A1	12/2013	Long
9,814,471 B2 *	11/2017	Goldberg A61B 17/1684	2014/0005789 A1	1/2014	Chavarria et al.
9,814,588 B2 *	11/2017	Goldberg A61F 2/4081	2014/0031945 A1 *	1/2014	Baptista A61F 2/4081 623/19.11
9,833,327 B2 *	12/2017	Basamania A61F 2/4081	2014/0128983 A1	5/2014	Flaherty et al.
9,861,376 B2 *	1/2018	Chavarria A61B 17/1684	2014/0180425 A1	6/2014	Katrana et al.
2001/0011192 A1	8/2001	Ondrla et al.	2014/0214170 A1	7/2014	Ratron et al.
2001/0037153 A1	11/2001	Rockwood, Jr. et al.	2014/0249638 A1	9/2014	Winslow et al.

(56)

References Cited

U.S. PATENT DOCUMENTS

2014/0277520 A1 9/2014 Chavarria et al.
2015/0012103 A1 1/2015 Winslow et al.
2015/0025641 A1 1/2015 Masson
2015/0025642 A1 1/2015 Wirth et al.

OTHER PUBLICATIONS

DePuy Brochure, Global Advantage Shoulder Arthroplasty System, 2000.

Tornier Affiniti Brochure, The Affiniti Total Shoulder Prosthesis, 2008.

Edwards, Bradley T., MD, et al., Radiographic comparison of pegged and keeled glenoid components using modern cementing techniques: A prospective randomized study, Journal of Shoulder and Elbow Surgery, Elsevier 2010, 251-257, Texas.

* cited by examiner

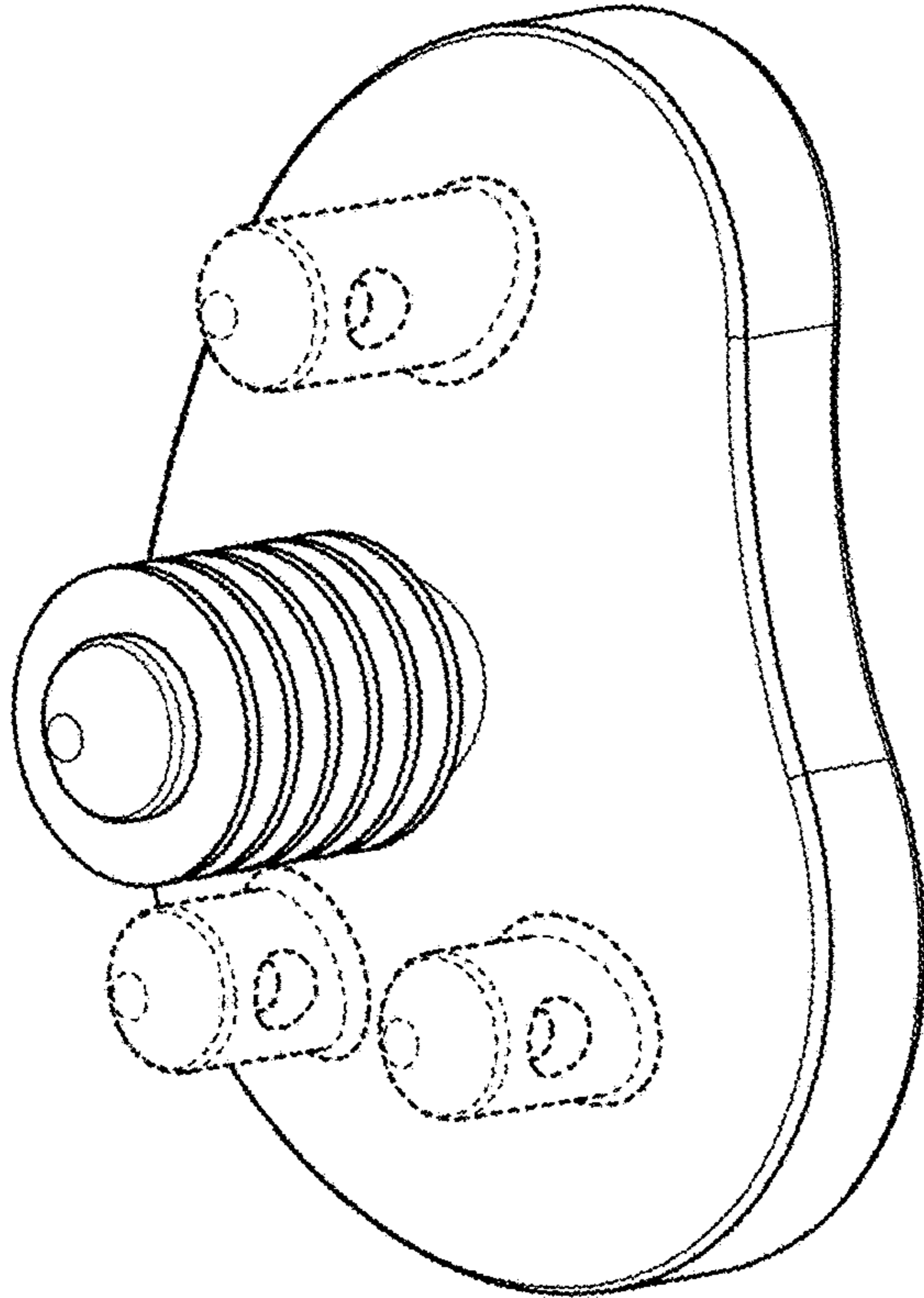


FIG. 1

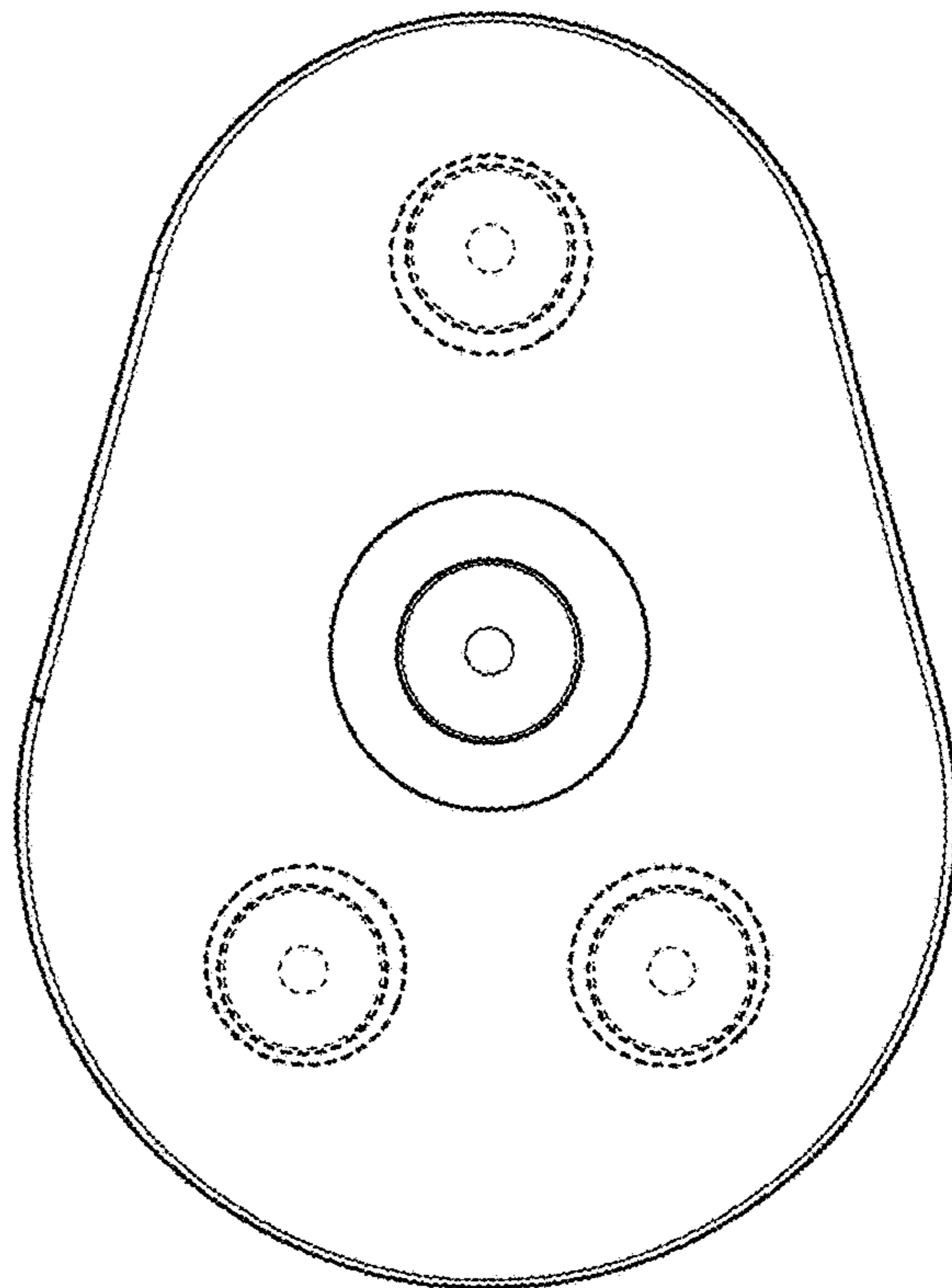


FIG. 2

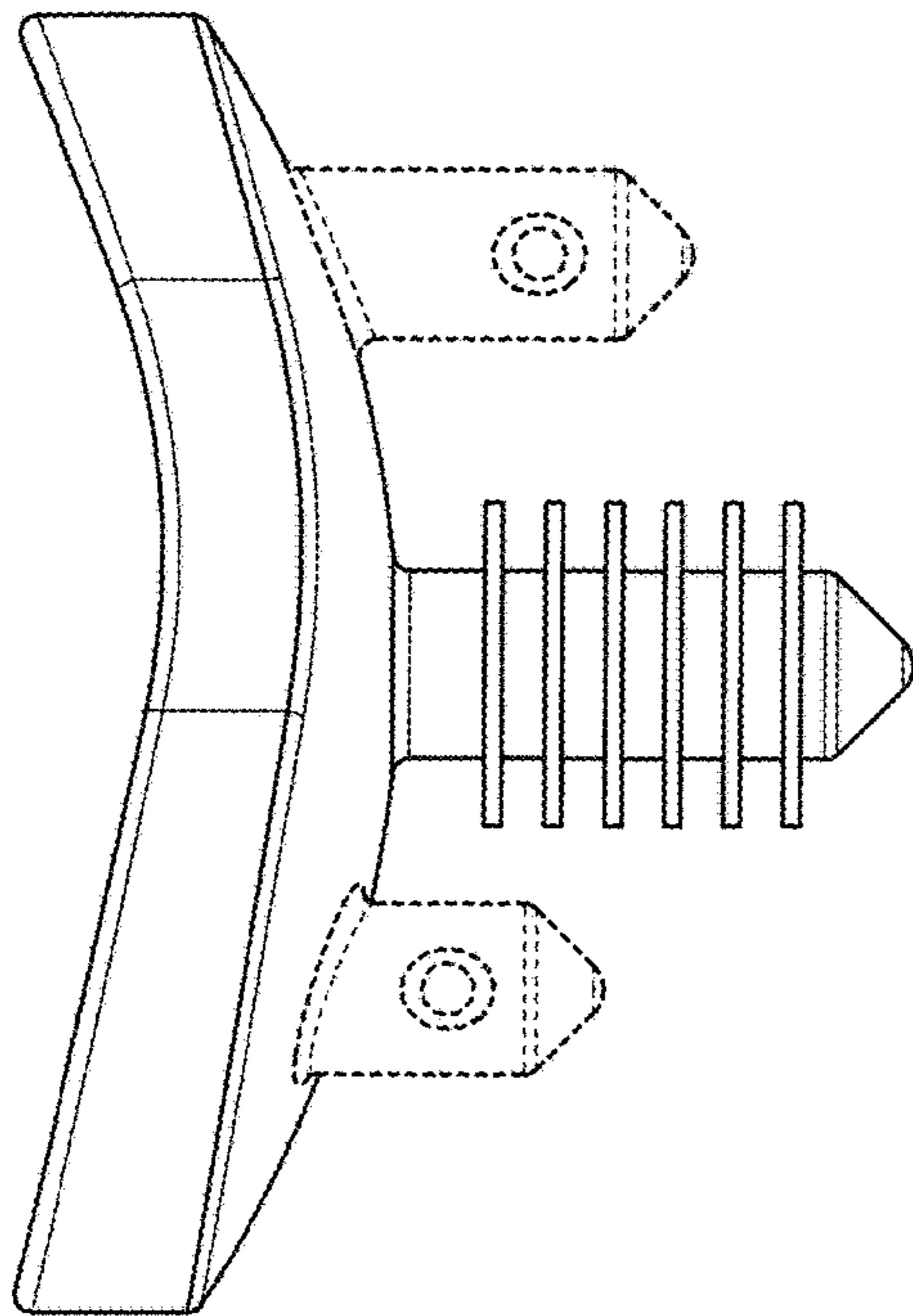


FIG. 3

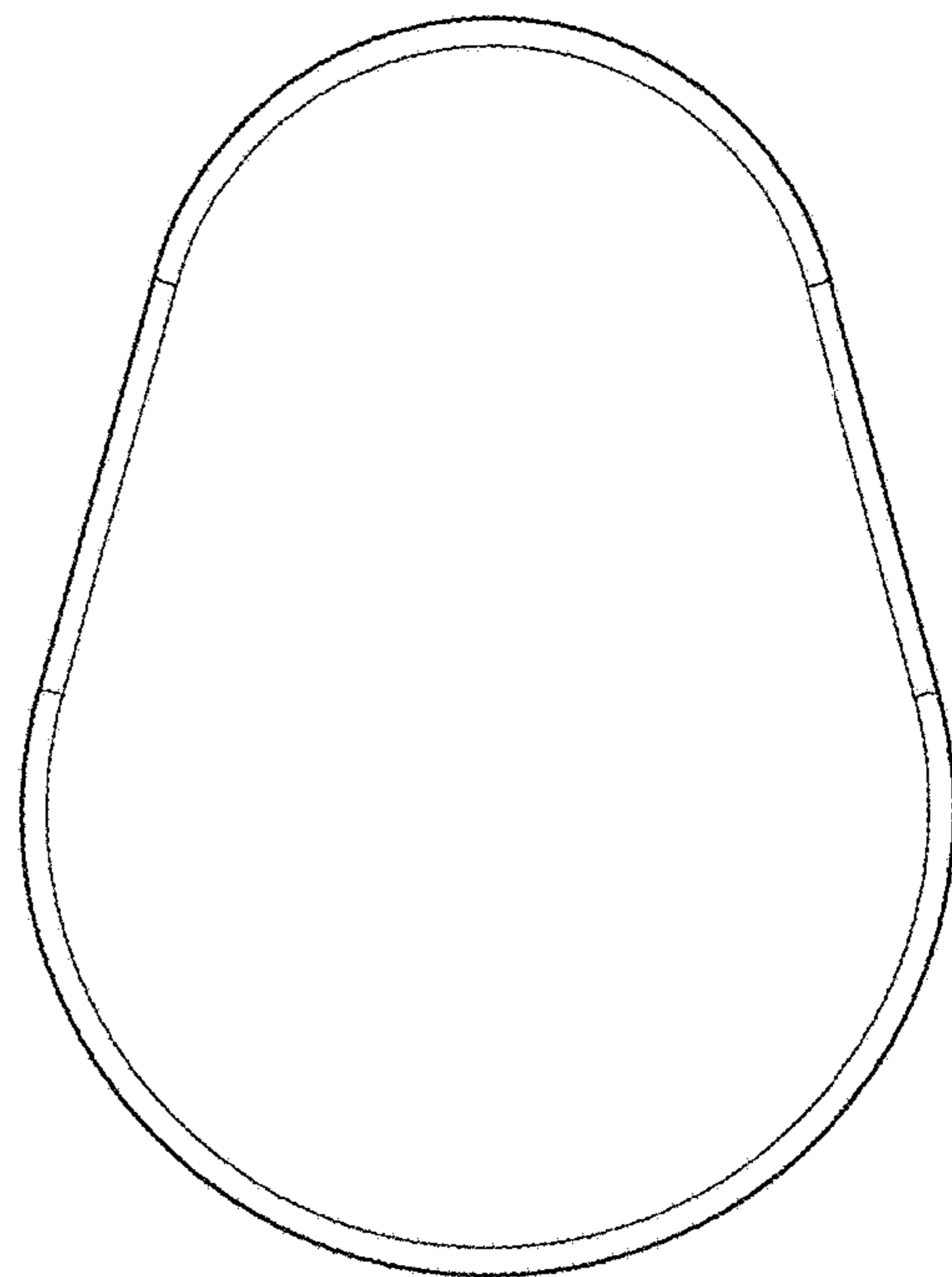


FIG. 4

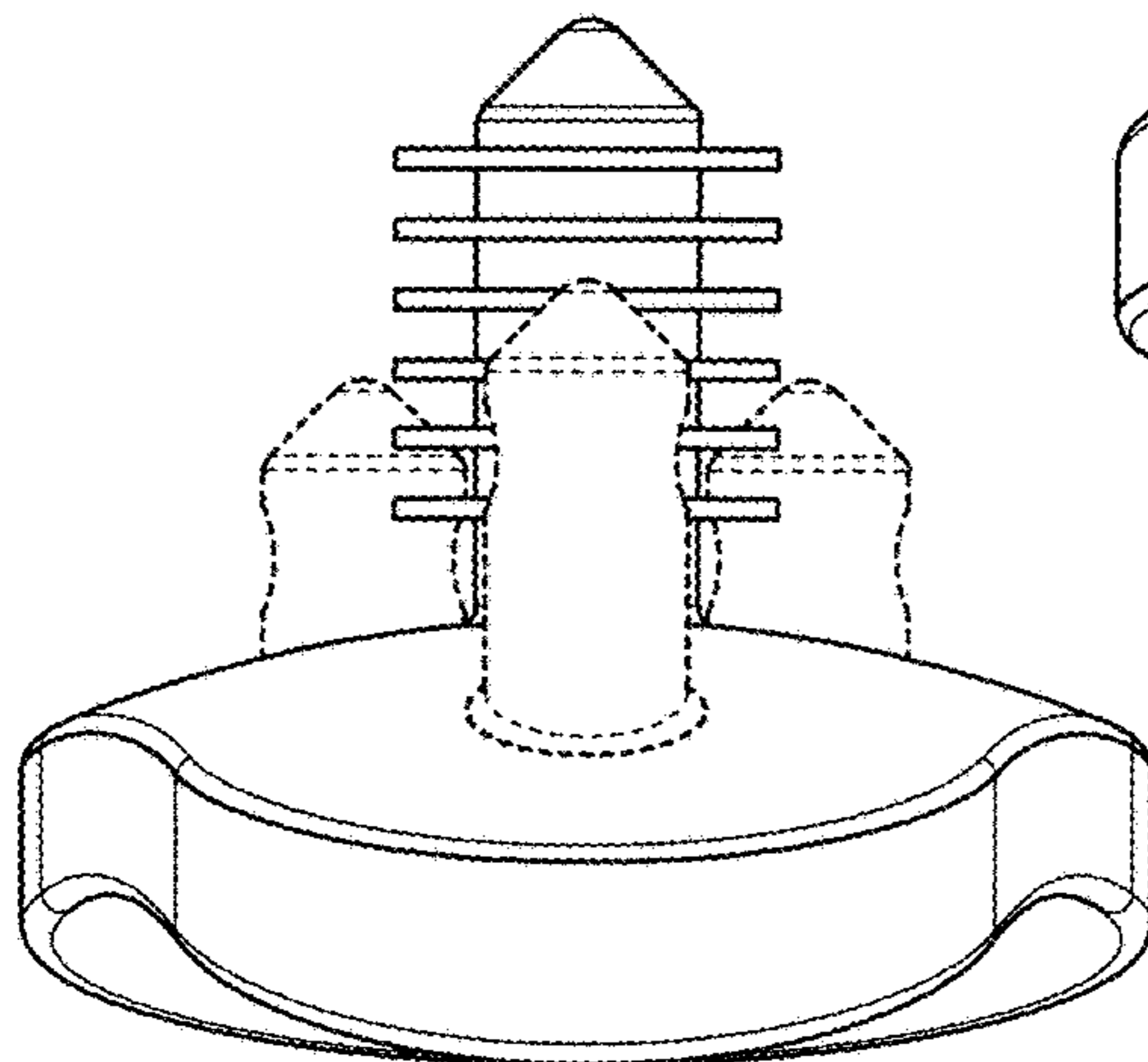


FIG. 5

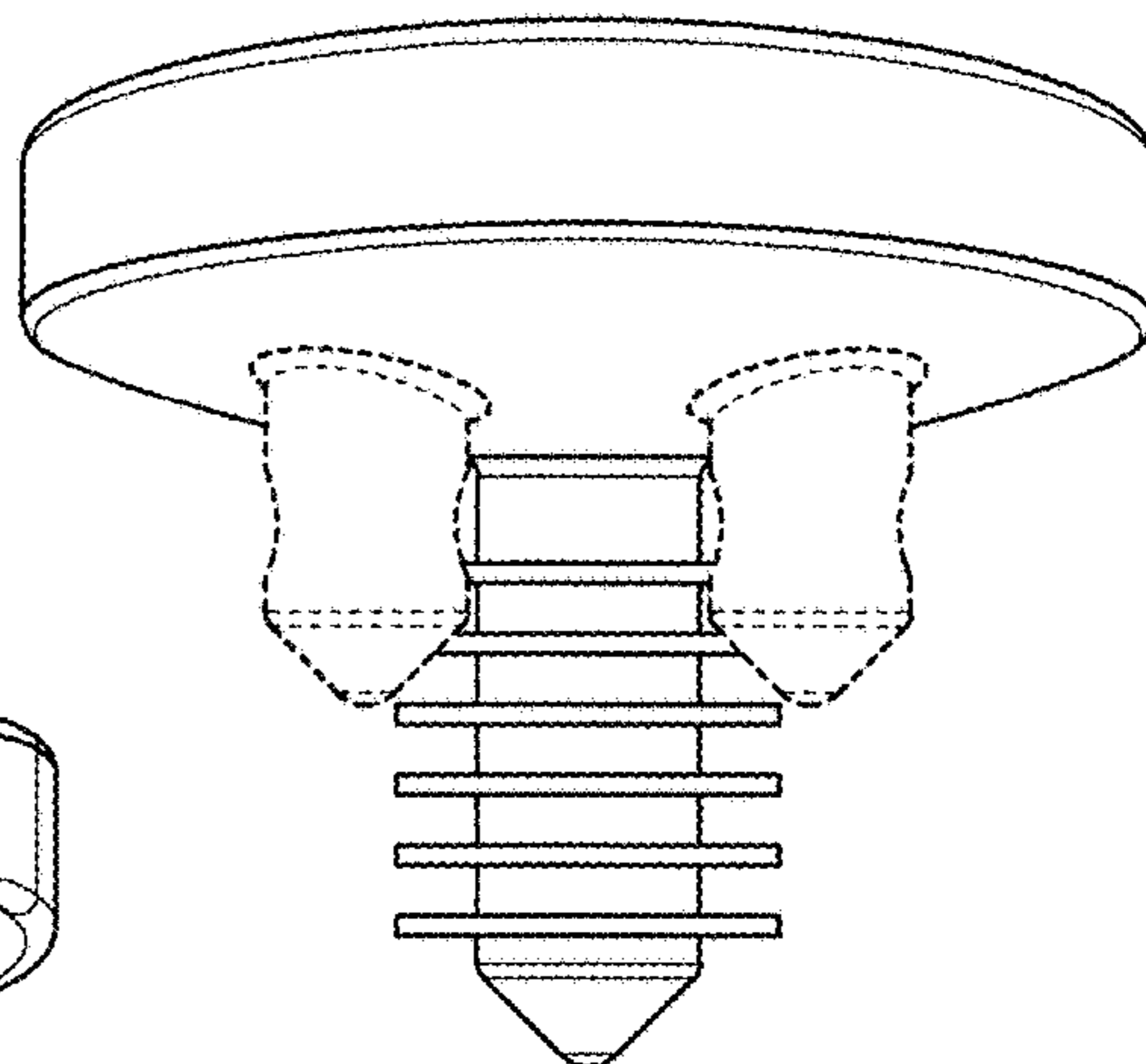


FIG. 6