



US00D835275S

(12) **United States Design Patent** (10) **Patent No.:** **US D835,275 S**
Vizer et al. (45) **Date of Patent:** **** Dec. 4, 2018**

(54) **DENTAL ABUTMENT**

(71) Applicant: **Nobel Biocare Services AG**, Kloten (CH)

(72) Inventors: **Thomas Vizer**, Zürich (CH); **Luca Palmerini**, Basel (CH); **Christian Ebener**, Volketswil (CH)

(73) Assignee: **Nobel Biocare Services AG**, Kloten (CH)

(**) Term: **15 Years**

(21) Appl. No.: **29/537,399**

(22) Filed: **Aug. 25, 2015**

(30) **Foreign Application Priority Data**

Feb. 25, 2015 (EM) 002640573

(51) **LOC (11) Cl.** **24-02**

(52) **U.S. Cl.**
USPC **D24/155**

(58) **Field of Classification Search**

USPC D24/155-156
CPC A61C 8/00; A61C 8/0089; A61C 8/0069;
A61C 8/0054; A61C 8/0096; A61C
8/0039; A61C 8/0063; A61C 8/006; A61C
8/0001; A61C 8/0012; A61C 8/0075;
A61C 8/0083; A61C 13/225

See application file for complete search history.

(56) **References Cited**

U.S. PATENT DOCUMENTS

4,290,755 A	9/1981	Edwards
D273,984 S	5/1984	Vlock
4,519,662 A	5/1985	Riley et al.
4,820,159 A	4/1989	Weissman
4,854,871 A	8/1989	Weissman

(Continued)

Primary Examiner — Charles D Hanson

(74) *Attorney, Agent, or Firm* — Knobbe Martens Olson & Bear, LLP

(57) **CLAIM**

The ornamental design for dental abutment, as shown and described herein.

DESCRIPTION

FIG. 1 is a top perspective view of a first embodiment of a dental abutment embodying the new design.

FIG. 2 is a front view thereof. The rear view thereof is identical to the front view.

FIG. 3 is a first side view thereof.

FIG. 4 is a second side view thereof.

FIG. 5 is a top view thereof.

FIG. 6 is a bottom view thereof.

FIG. 7 is a bottom perspective view thereof.

FIG. 8 is a top perspective view of a second embodiment of a dental abutment embodying the new design.

FIG. 9 is a front view thereof. The rear view thereof is identical to the front view.

FIG. 10 is a first side view thereof.

FIG. 11 is a second side view thereof.

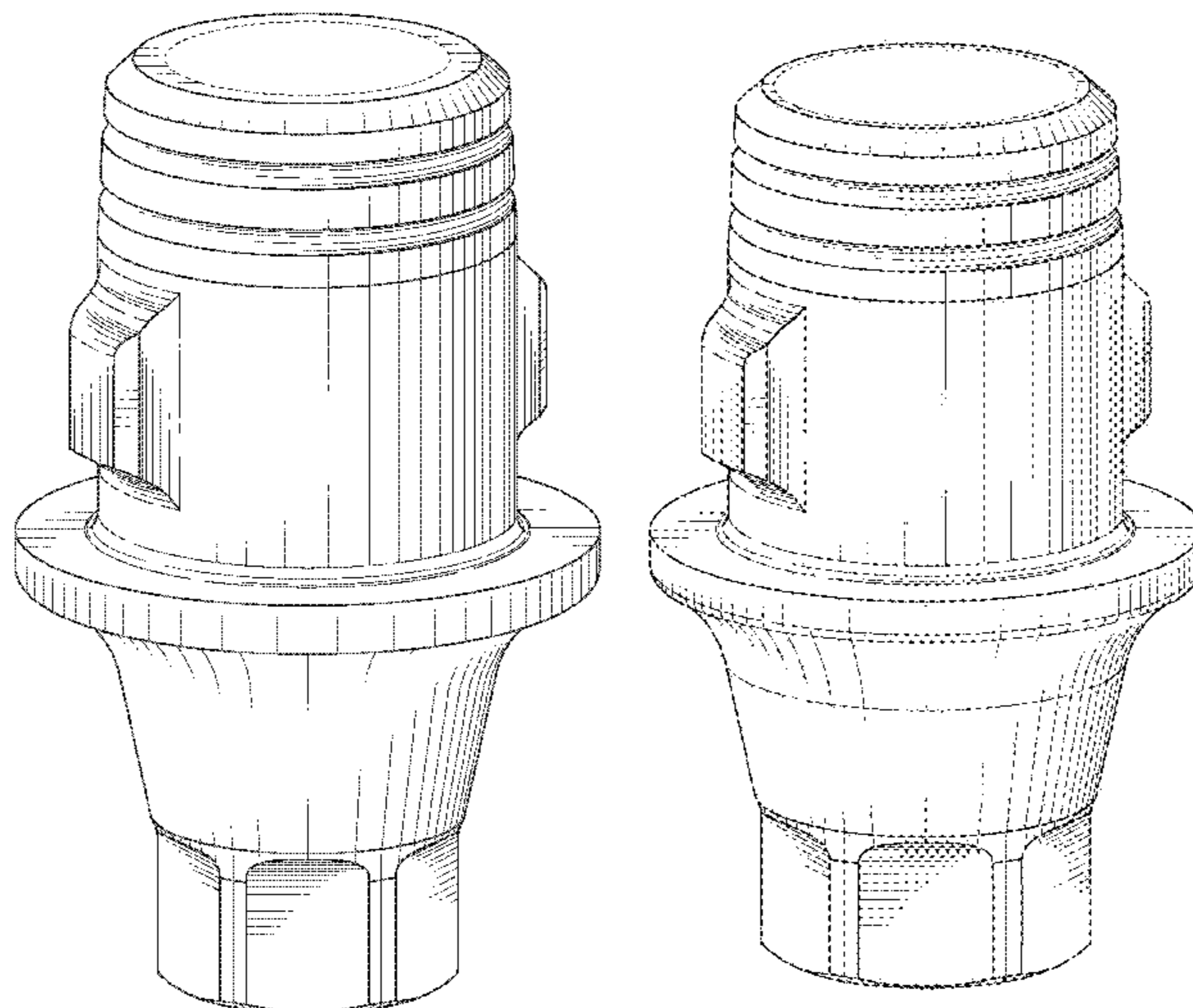
FIG. 12 is a top view thereof.

FIG. 13 is a bottom view thereof; and,

FIG. 14 is a bottom perspective view thereof.

All features in broken lines are for the purpose of illustrating environmental structure and form no part of the claimed subject matter. Additional color and texture may or may not form part of the claimed design without departing from the design disclosed. The inventors anticipate that the invention can be any part, portion, element, or combination of elements of the depicted design. The addition of further physical elements such as writing, markings, ribs, ridges, textures, and/or dimples are not excluded. Any part, portion, element, or combination of elements of the depicted design or designs which is novel may represent an invention or design for which protection is or may be claimed in the future.

1 Claim, 12 Drawing Sheets



(56)

References Cited

U.S. PATENT DOCUMENTS

4,960,381 A 10/1990 Niznick
 D321,560 S 11/1991 Miller
 D342,314 S 12/1993 Miller
 D358,212 S 5/1995 Sullivan
 D366,115 S 1/1996 Sullivan
 5,669,772 A 9/1997 Musikant et al.
 5,695,335 A 12/1997 Haas et al.
 5,775,910 A 7/1998 Orrico
 5,947,733 A 9/1999 Sutter et al.
 6,227,859 B1 5/2001 Sutter
 D443,361 S 6/2001 Hurson
 D446,859 S 8/2001 Hurson
 6,358,050 B1 3/2002 Bergström et al.
 6,450,815 B1 9/2002 Weisman
 6,733,291 B1 5/2004 Hurson
 D507,650 S * 7/2005 Teich D24/156
 D528,210 S * 9/2006 Boettcher D24/156
 7,306,461 B2 12/2007 Bell
 D567,378 S 4/2008 Nordahl et al.

D604,413 S * 11/2009 Ikeya D24/156
 D606,196 S * 12/2009 Fares D24/156
 7,806,693 B2 10/2010 Hurson
 8,038,442 B2 10/2011 Hurson
 D652,929 S 1/2012 Sibhatu et al.
 D663,032 S * 7/2012 Mashio D24/156
 D663,419 S * 7/2012 Mashio D24/156
 8,636,511 B2 1/2014 Porter et al.
 D732,668 S 6/2015 Fisler et al.
 D732,669 S 6/2015 Fisler et al.
 D733,885 S * 7/2015 Andersin D24/156
 D752,756 S * 3/2016 Aravena D24/156
 D783,823 S * 4/2017 Emanuelli D24/156
 D783,825 S * 4/2017 Emanuelli D24/156
 D785,179 S * 4/2017 Emanuelli D24/156
 D808,016 S * 1/2018 Kim D24/156
 2003/0113691 A1 6/2003 Ben-Yaakov et al.
 2003/0219700 A1 11/2003 Lax
 2003/0235805 A1 12/2003 Lax
 2013/0071814 A1 3/2013 Boehner et al.
 2013/0089835 A1 4/2013 Jensen et al.
 2013/0108984 A1 5/2013 Zipprich

* cited by examiner

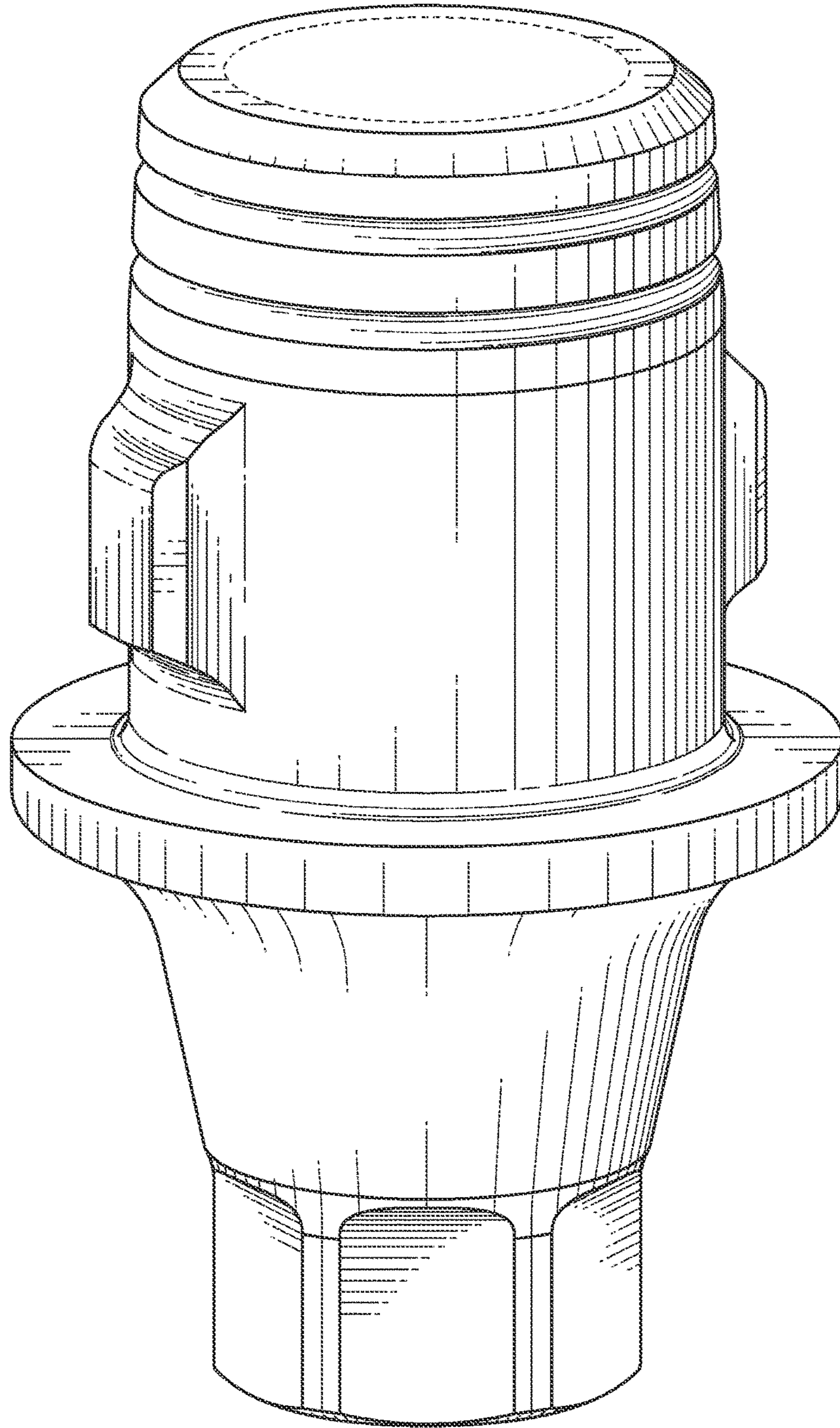


FIG. 1

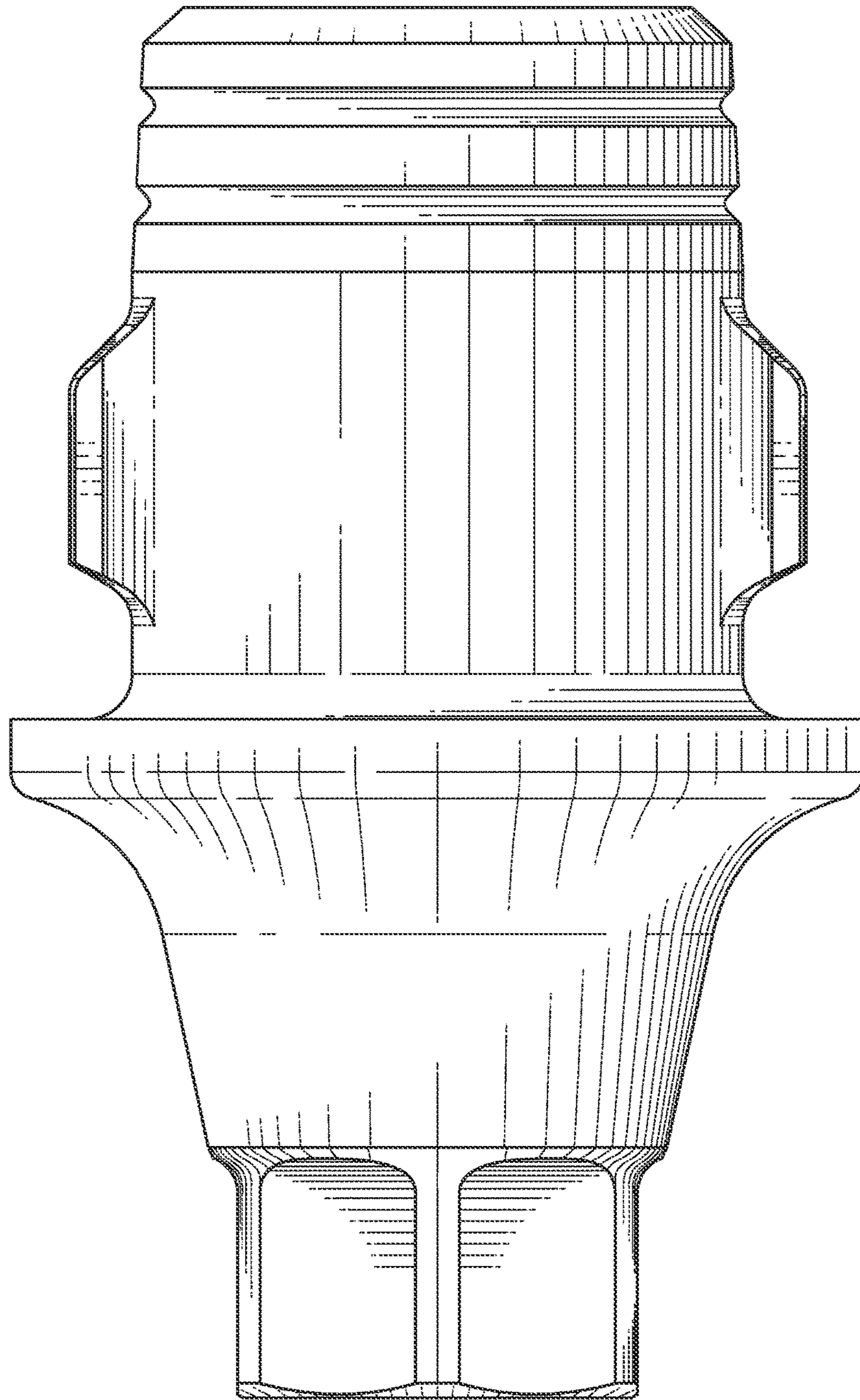


FIG. 2

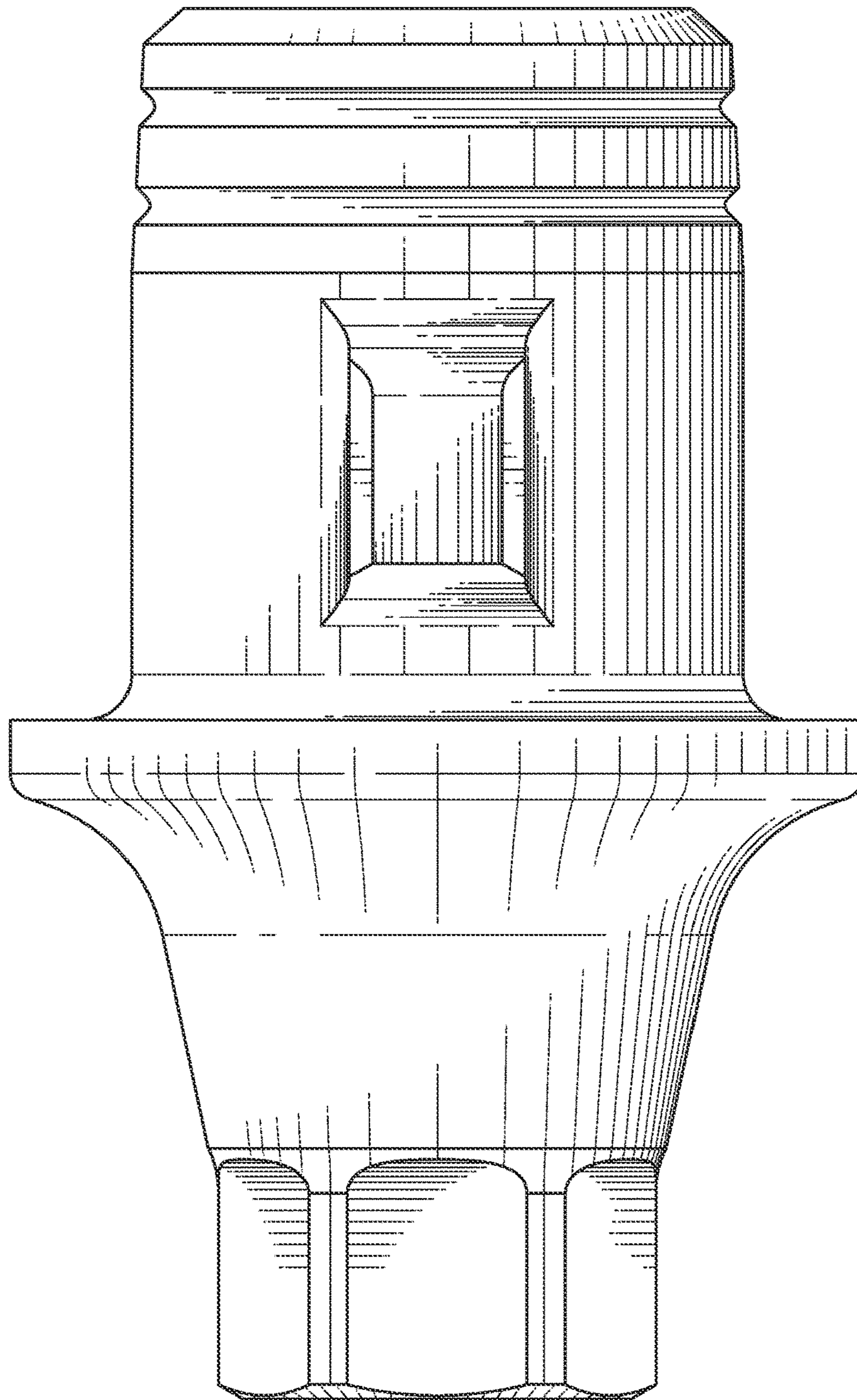


FIG. 3

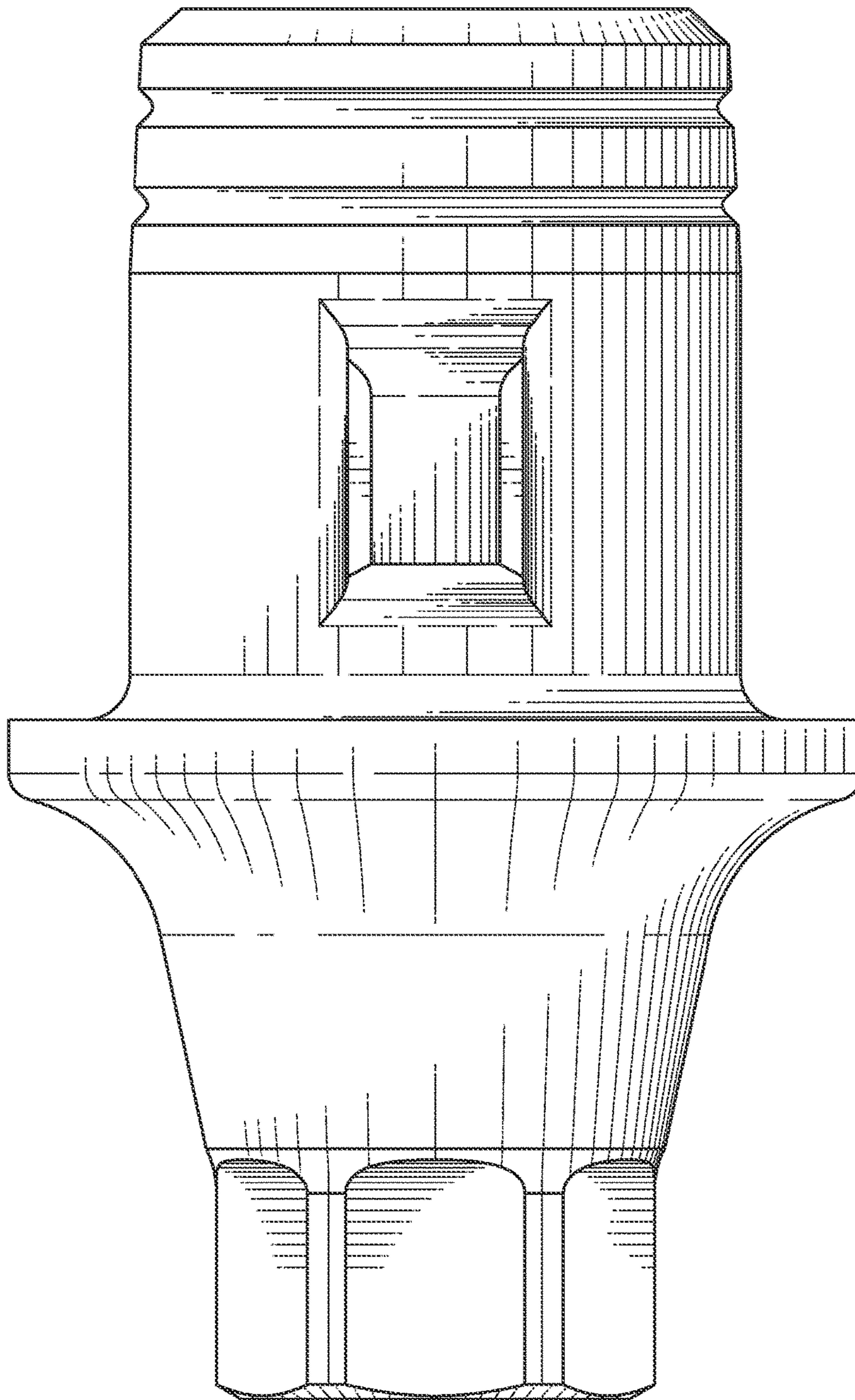


FIG. 4

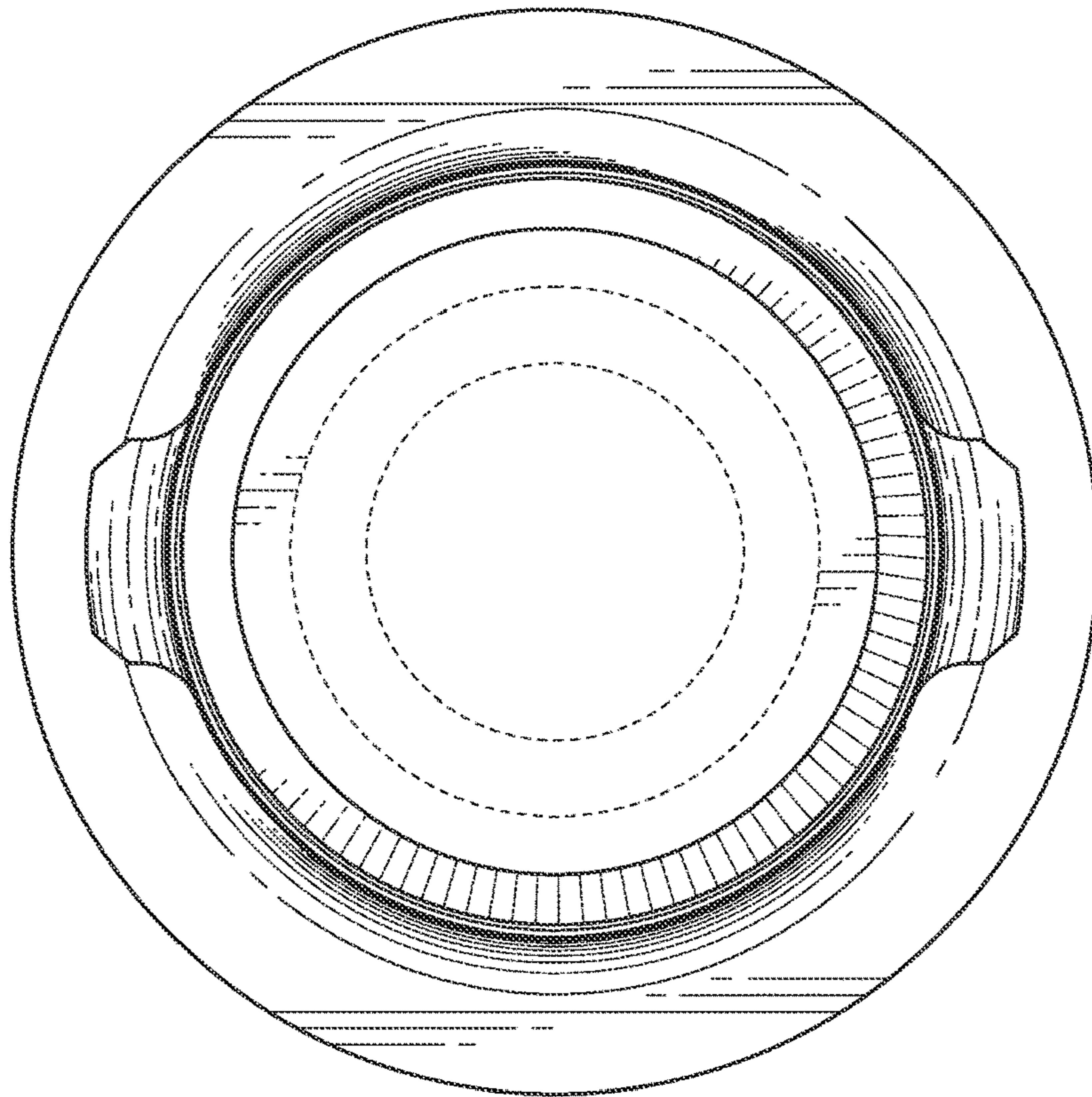


FIG. 5

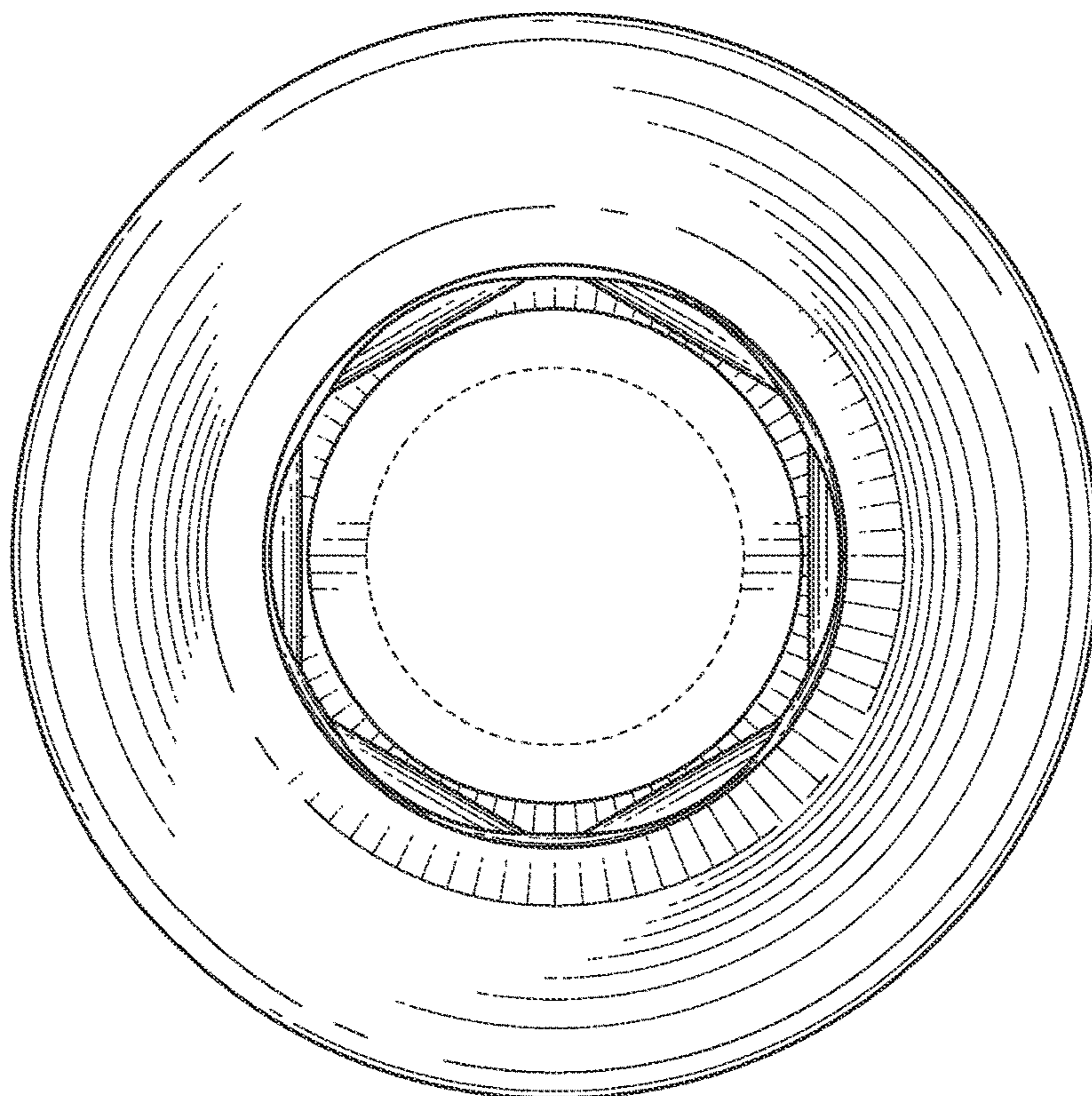


FIG. 6

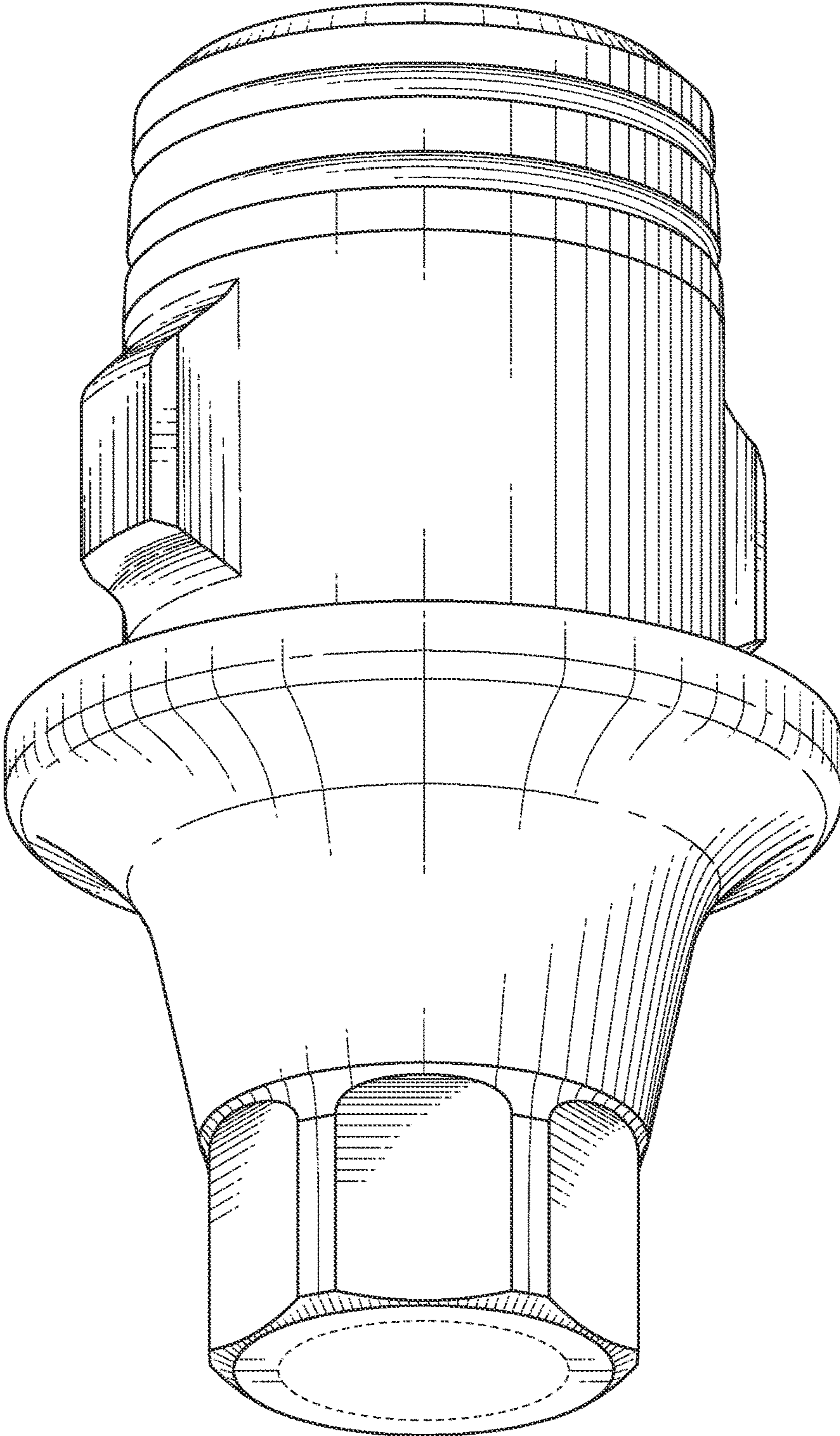


FIG. 7

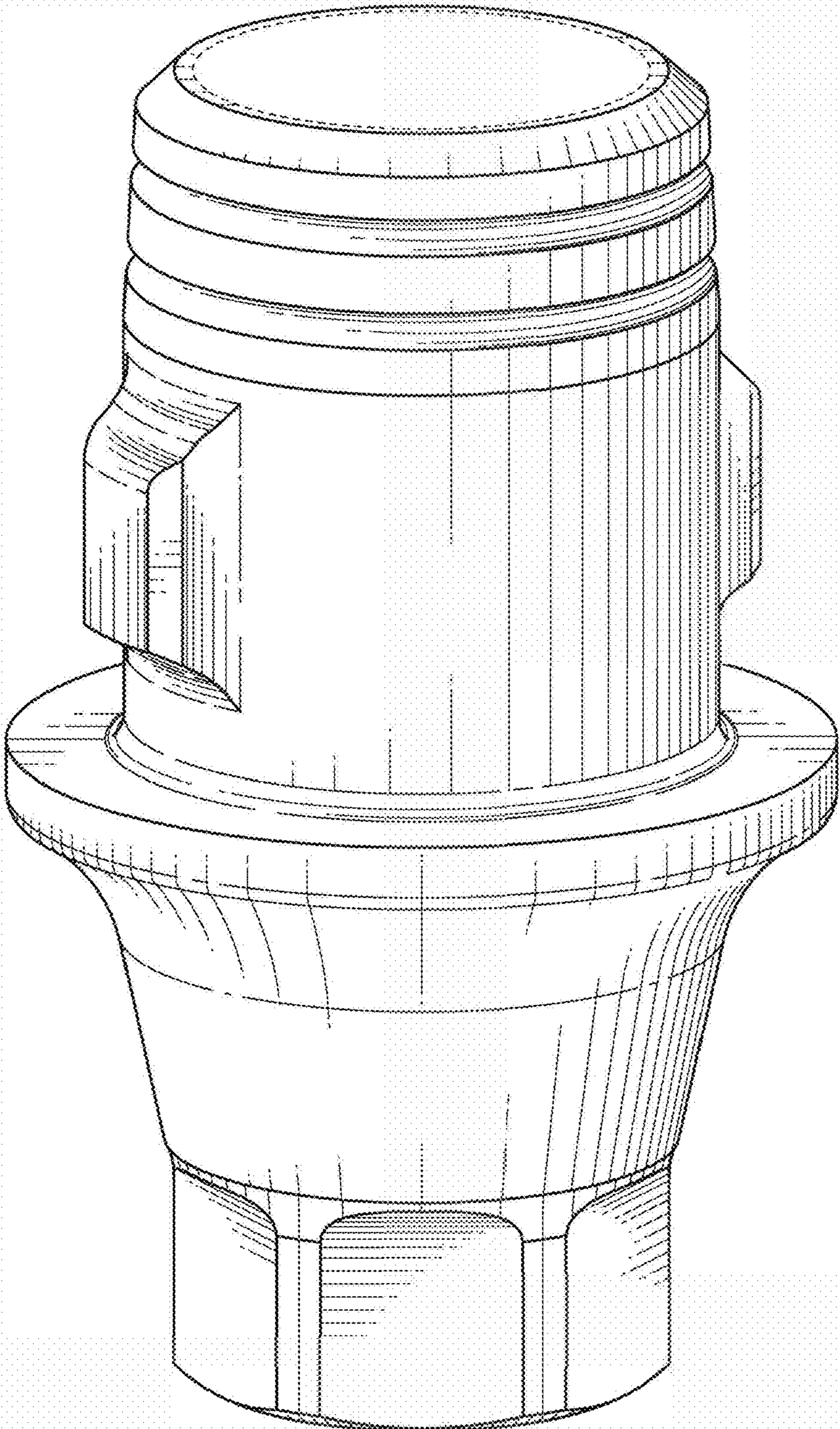


FIG. 8

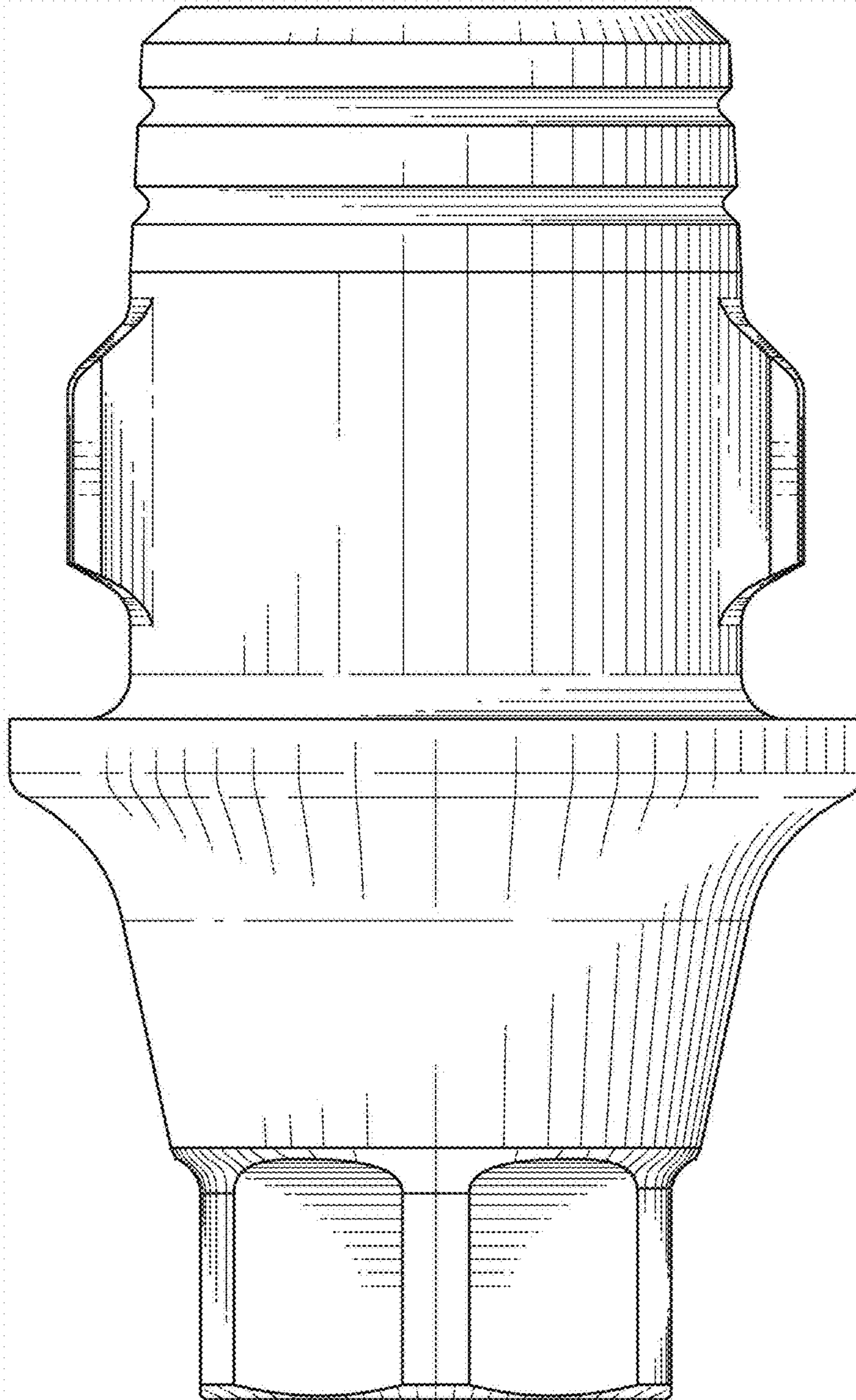


FIG. 9

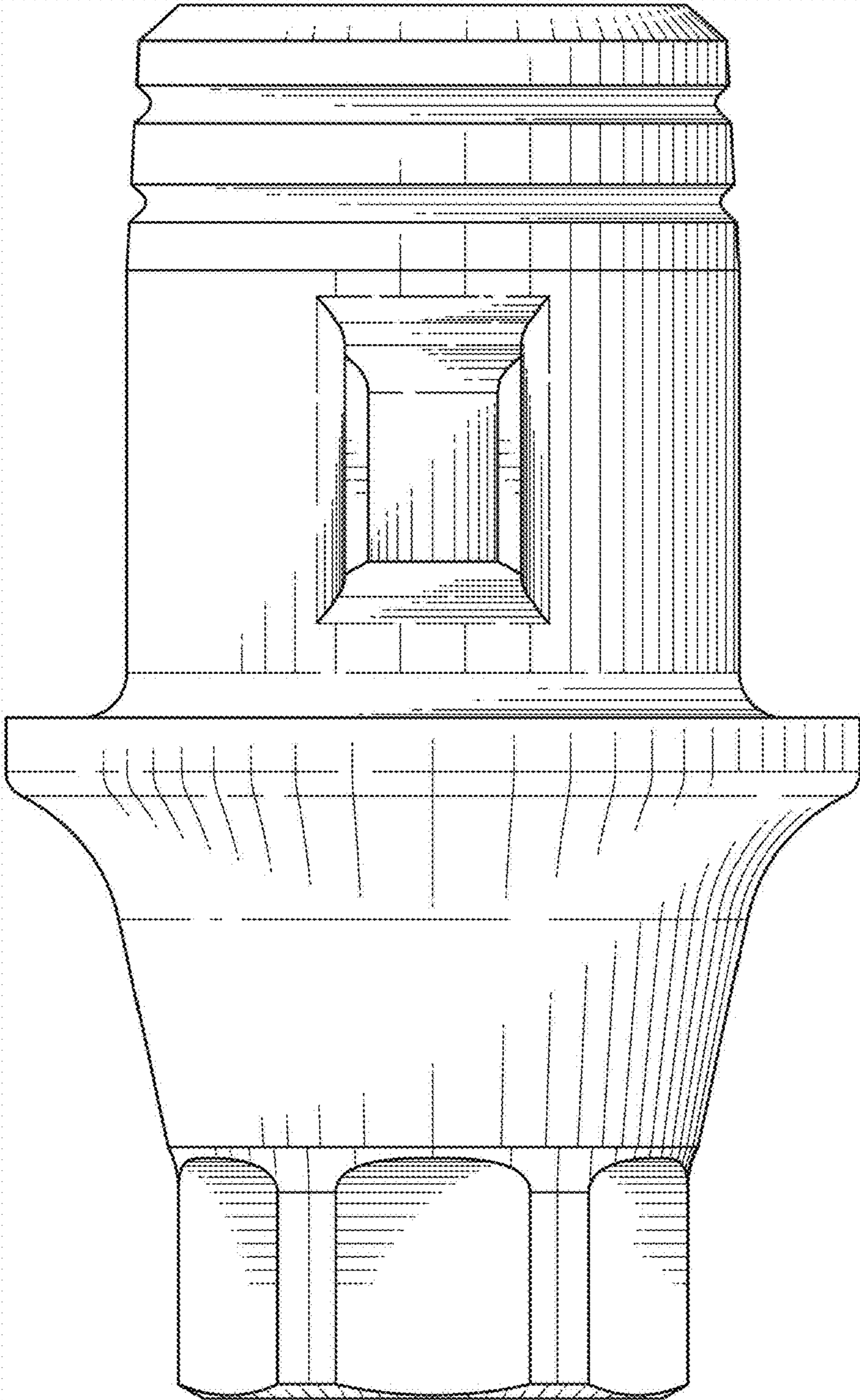


FIG. 10

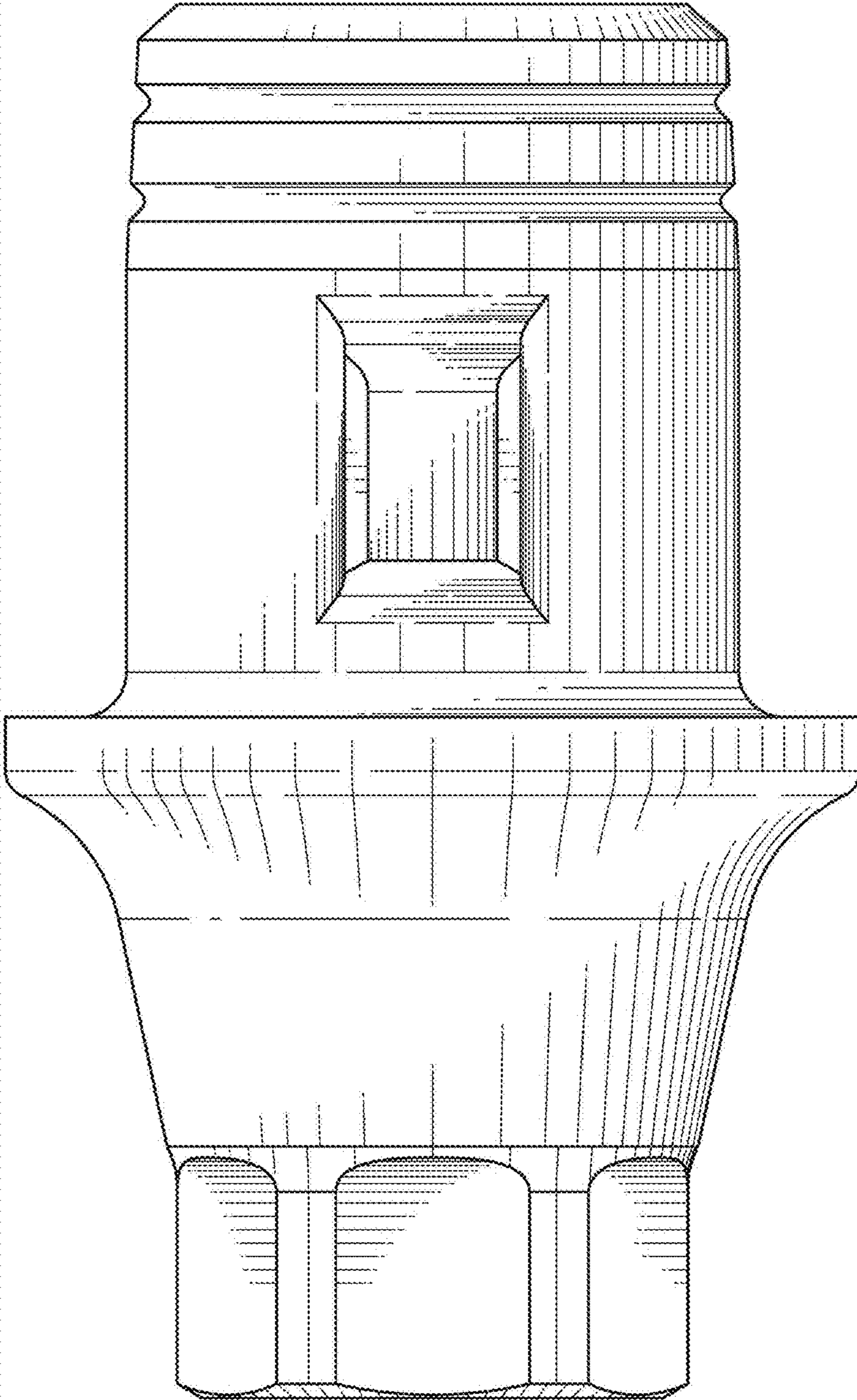


FIG. 11

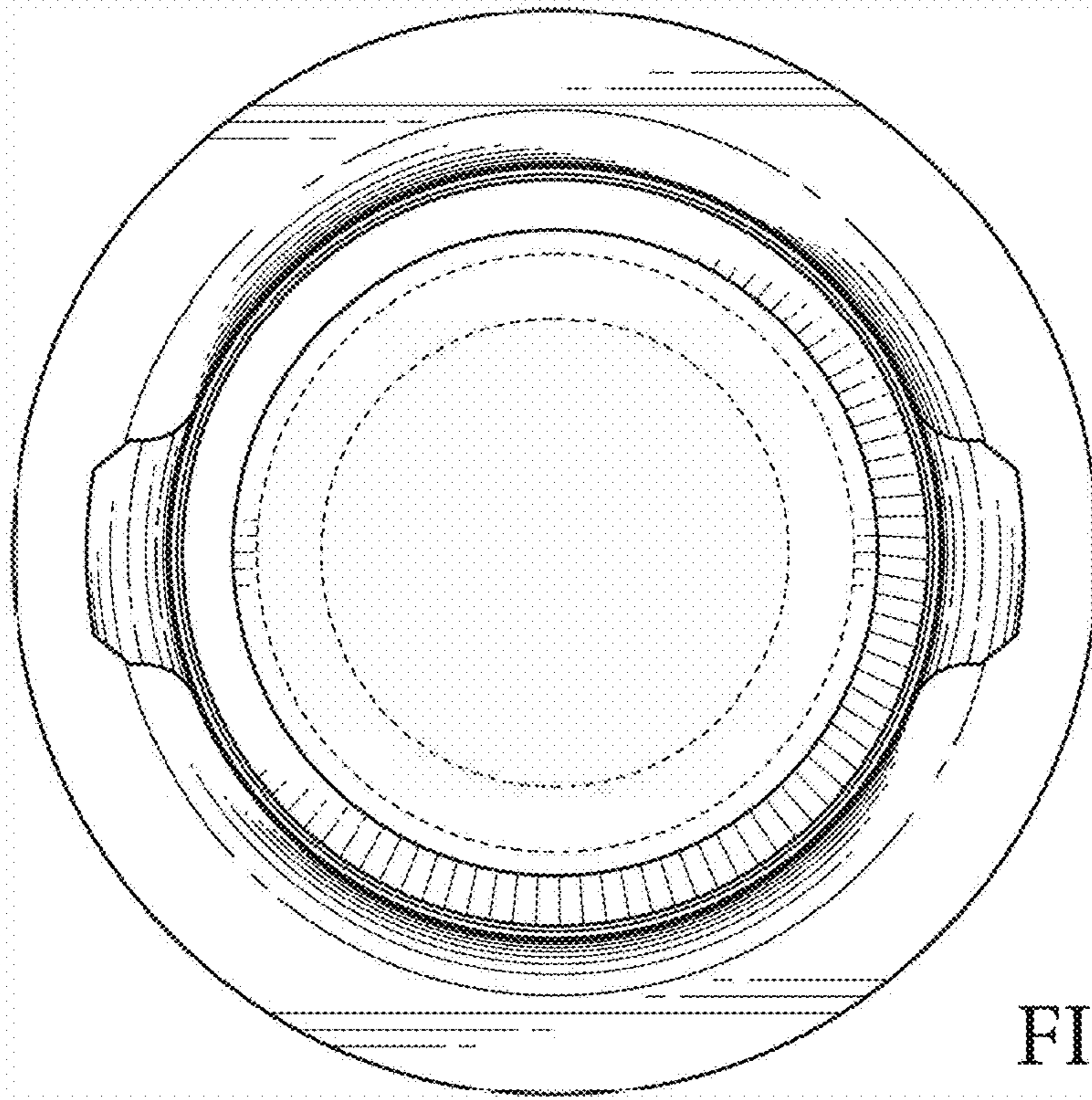


FIG. 12

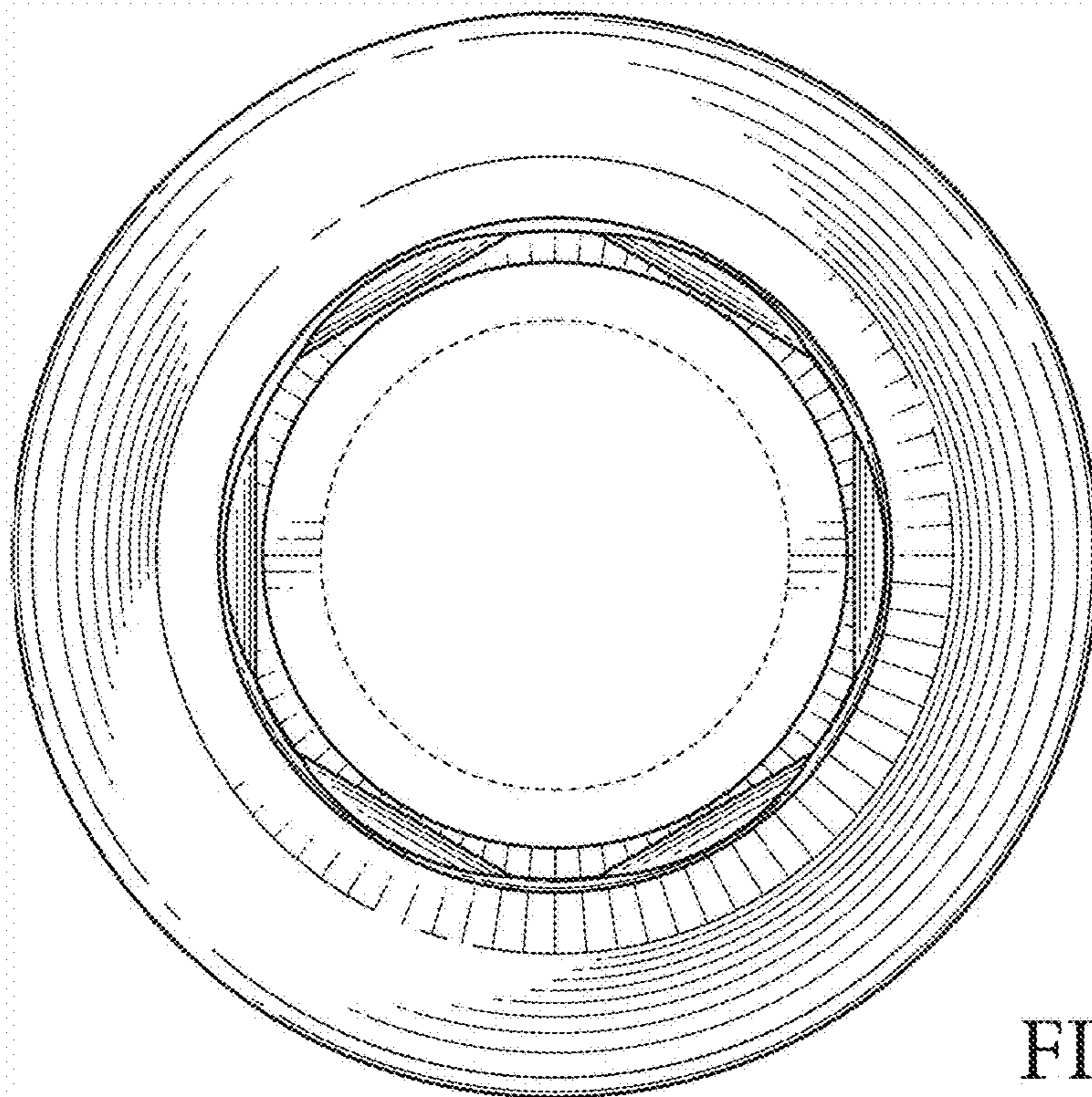


FIG. 13

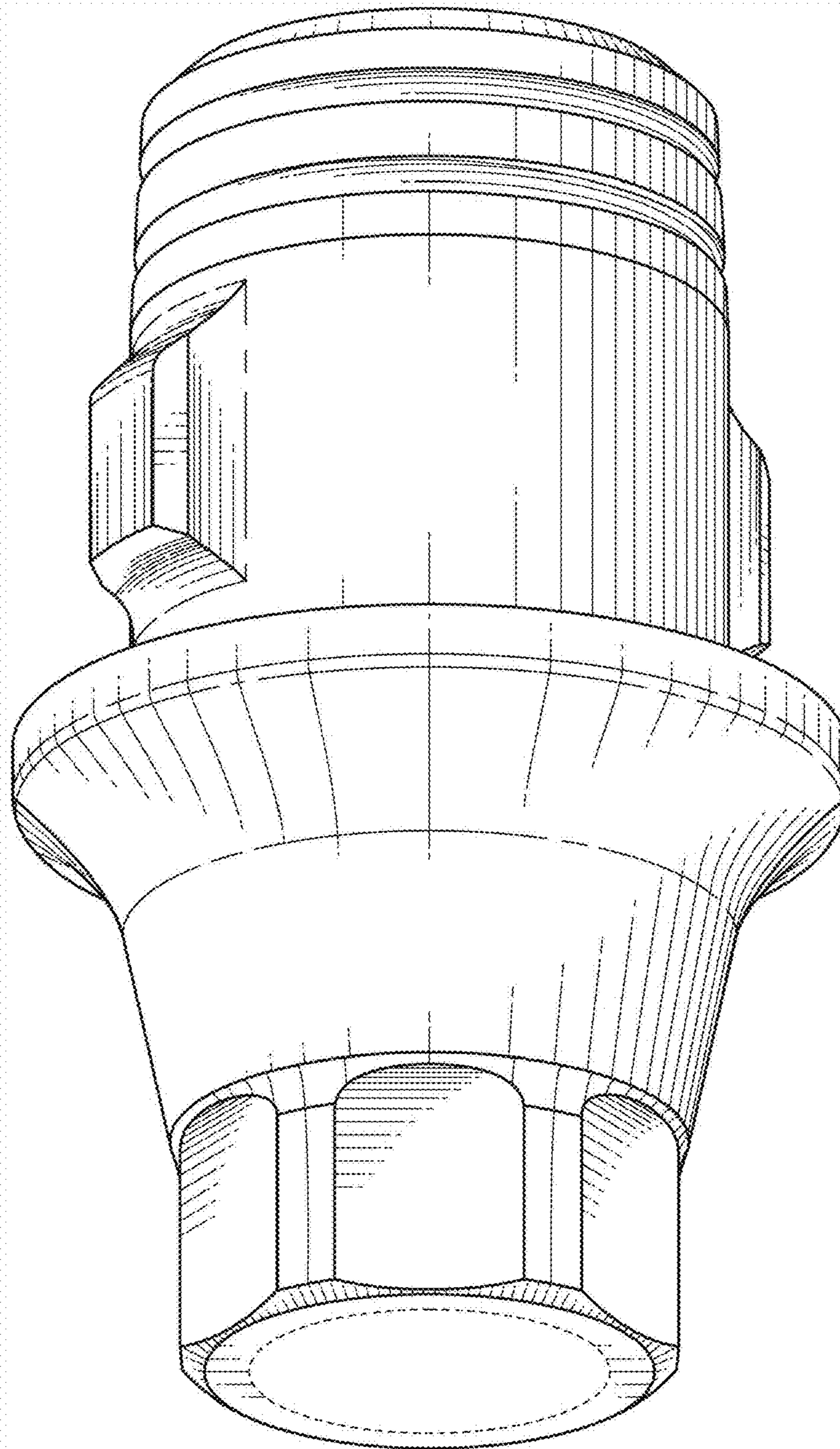


FIG. 14