



US00D835274S

(12) **United States Design Patent** (10) **Patent No.:** **US D835,274 S**  
**Hagr et al.** (45) **Date of Patent:** **\*\* Dec. 4, 2018**

(54) **RETRACTOR FOR COCHLEAR IMPLANT SURGERY**

D658,286 S \* 4/2012 Ryshkus ..... D24/135  
D669,171 S \* 10/2012 Boedeker ..... D24/135  
D706,924 S \* 6/2014 Ryshkus ..... D24/135  
D724,207 S \* 3/2015 Sutherland ..... A61B 1/00126  
D24/135

(71) Applicant: **KARL STORZ GmbH & Co. KG**,  
Tuttlingen (DE)

(Continued)

(72) Inventors: **Abdulrahman Hagr**, Riyadh (SA);  
**Jochen Hofer**, Tuttlingen (DE)

**OTHER PUBLICATIONS**

(73) Assignee: **KARL STORZ GmbH & Co. KG**,  
Tuttlingen (DE)

Storz, "Al Hagr Retractor for Cochlea Implantation," Endo-Gram,  
pp. 1-2 (May 2015).

(\*\*) Term: **15 Years**

*Primary Examiner* — Lakiya G Rogers

*Assistant Examiner* — Carissa C Fitts

(21) Appl. No.: **29/564,338**

(74) *Attorney, Agent, or Firm* — Muncy, Geissler, Olds &  
Lowe, P.C.

(22) Filed: **May 12, 2016**

(57) **CLAIM**

(30) **Foreign Application Priority Data**

The ornamental design for a retractor for cochlear implant  
surgery, as shown and described.

Nov. 13, 2015 (EM) ..... 002858092-0002

(51) **LOC (11) Cl.** ..... **24-02**

(52) **U.S. Cl.**  
USPC ..... **D24/151**

**DESCRIPTION**

(58) **Field of Classification Search**  
USPC ..... D24/151, 135, 136, 133, 143, 146, 147,  
D24/152

FIG. 1 is a front perspective view of a retractor for cochlear  
implant surgery according to the present invention.

FIG. 2 is a front view of the retractor for cochlear implant  
surgery of FIG. 1.

CPC ..... A61F 11/006; A61F 11/00  
See application file for complete search history.

FIG. 3 is a rear view of the retractor for cochlear implant  
surgery of FIG. 1.

(56) **References Cited**

FIG. 4 is a left side view of the retractor for cochlear implant  
surgery of FIG. 1.

**U.S. PATENT DOCUMENTS**

FIG. 5 is a right side view of the retractor for cochlear  
implant surgery of FIG. 1.

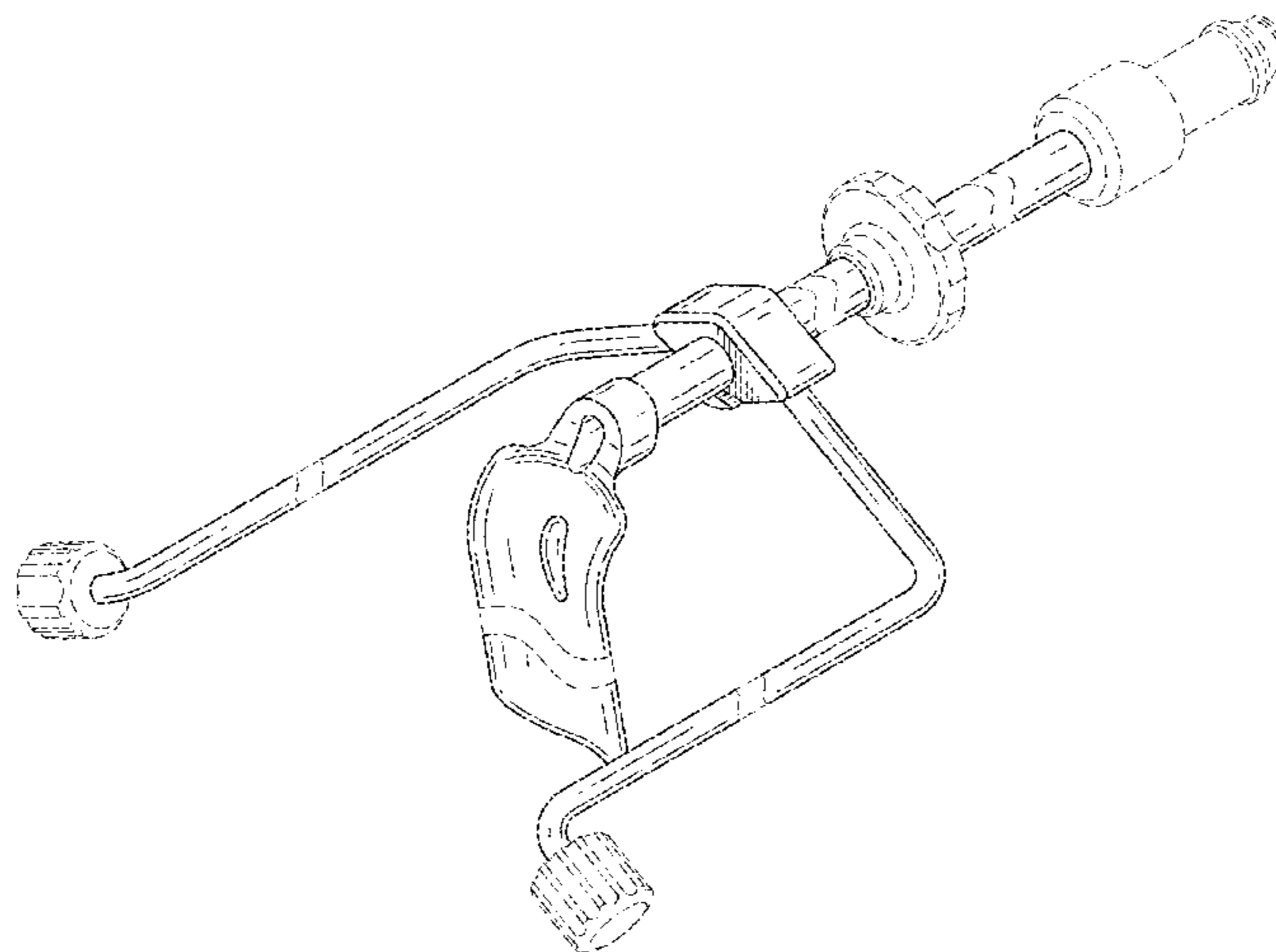
- D411,299 S \* 6/1999 Farascioni ..... D24/135
- D422,705 S \* 4/2000 Koros ..... D24/135
- D429,331 S \* 8/2000 Koros ..... D24/135
- D448,081 S \* 9/2001 Koros ..... D24/135
- D580,053 S \* 11/2008 Huether ..... D24/135
- D622,381 S \* 8/2010 Hajarian ..... D24/135
- D628,291 S \* 11/2010 Palmer ..... D24/135
- D629,516 S 12/2010 Firmin
- D642,679 S \* 8/2011 Raven, III ..... D24/135
- D649,243 S \* 11/2011 Barry ..... A61B 17/7086  
D24/133

FIG. 6 is a top view of the retractor for cochlear implant  
surgery of FIG. 1; and,

FIG. 7 is a bottom view of the retractor for cochlear implant  
surgery of FIG. 1.

The dashed lines illustrate environment that does not form a  
part of the present invention, and no claim is made to the  
material illustrated with dashed lines.

**1 Claim, 7 Drawing Sheets**



(56)

**References Cited**

U.S. PATENT DOCUMENTS

D726,909 S	*	4/2015	Bennett .....	D24/136
D746,474 S	*	12/2015	Koros .....	D24/128
D763,444 S	*	8/2016	Jessop .....	D24/135

\* cited by examiner

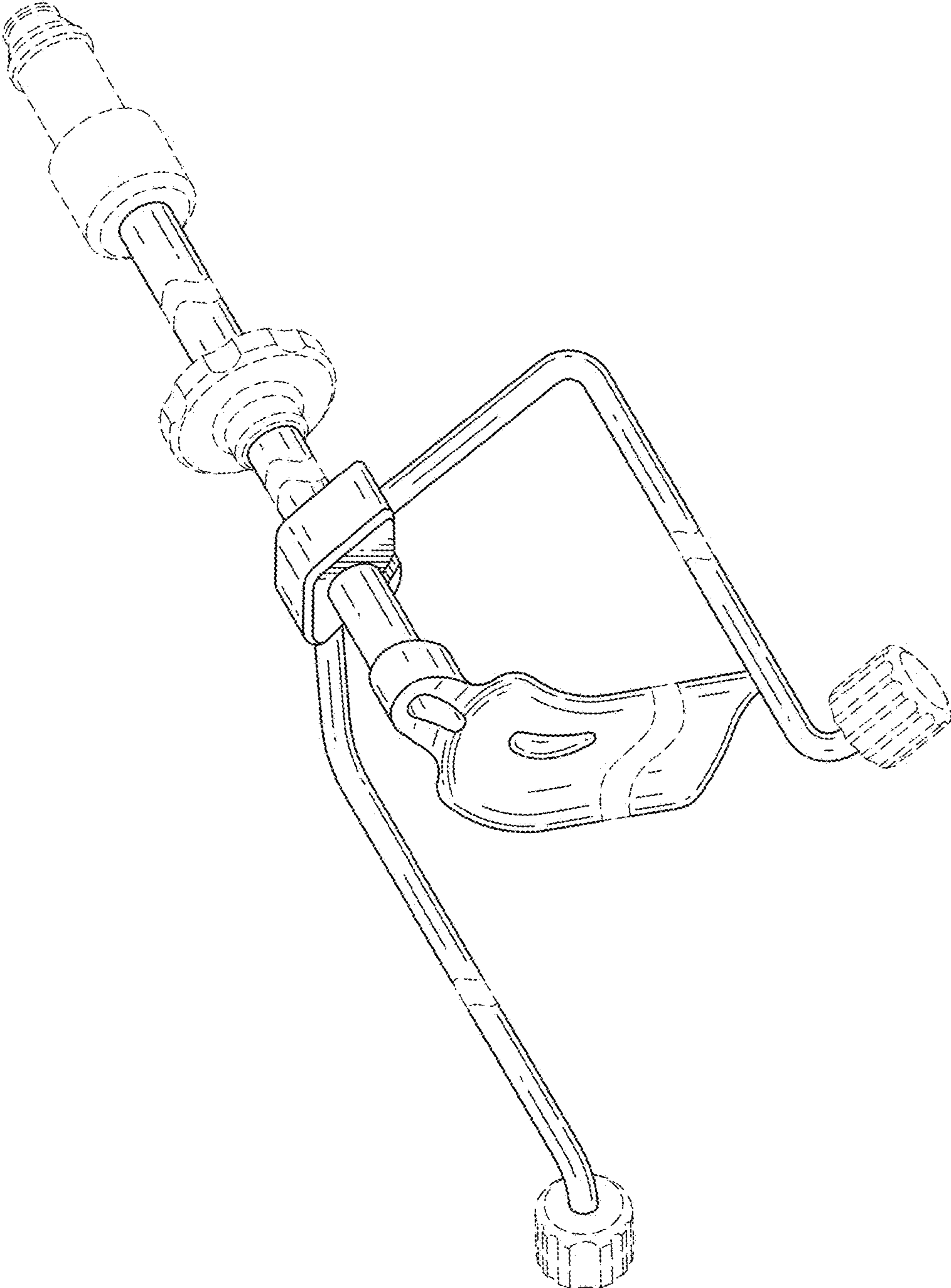


FIG.1

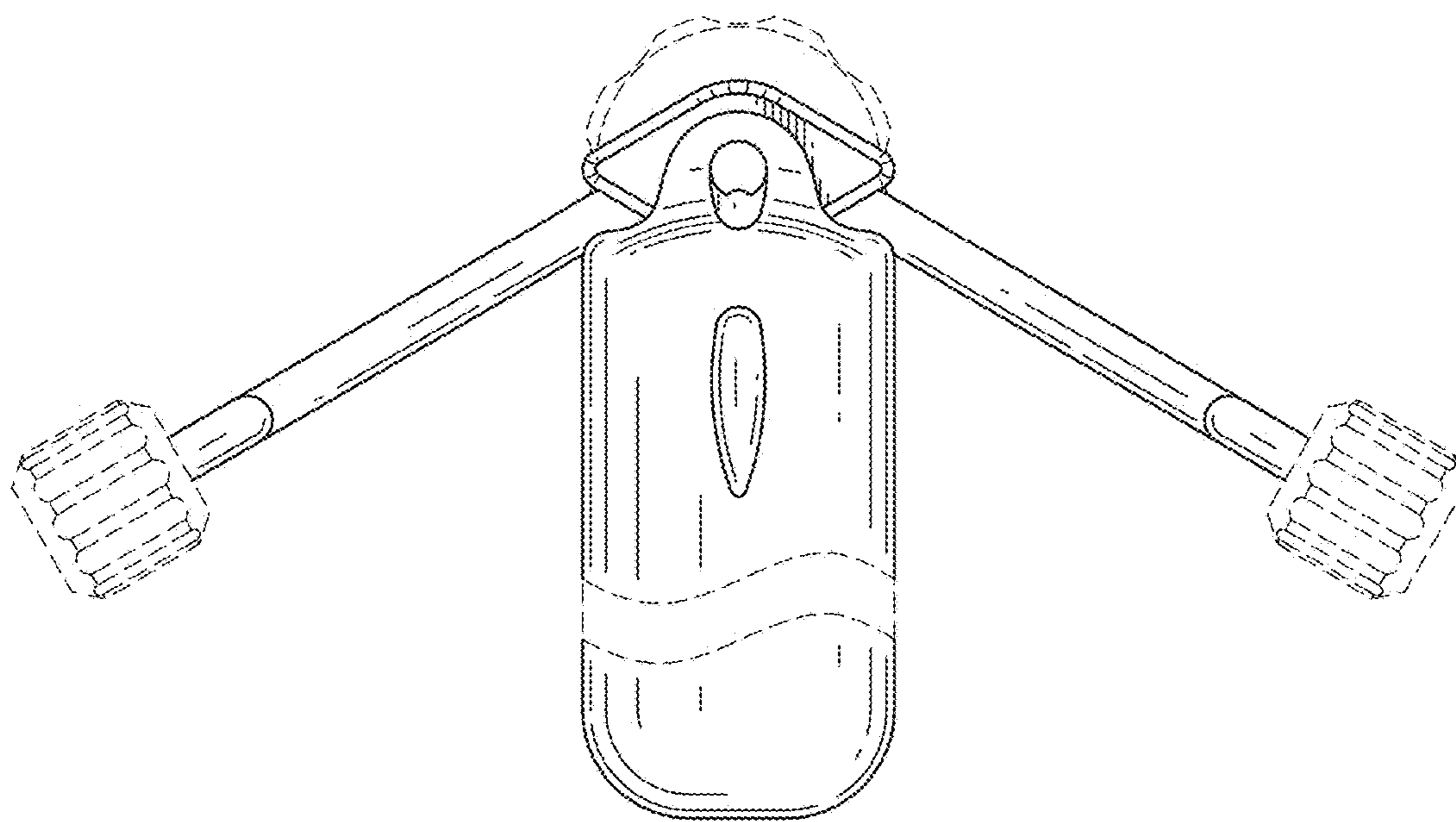


FIG.2

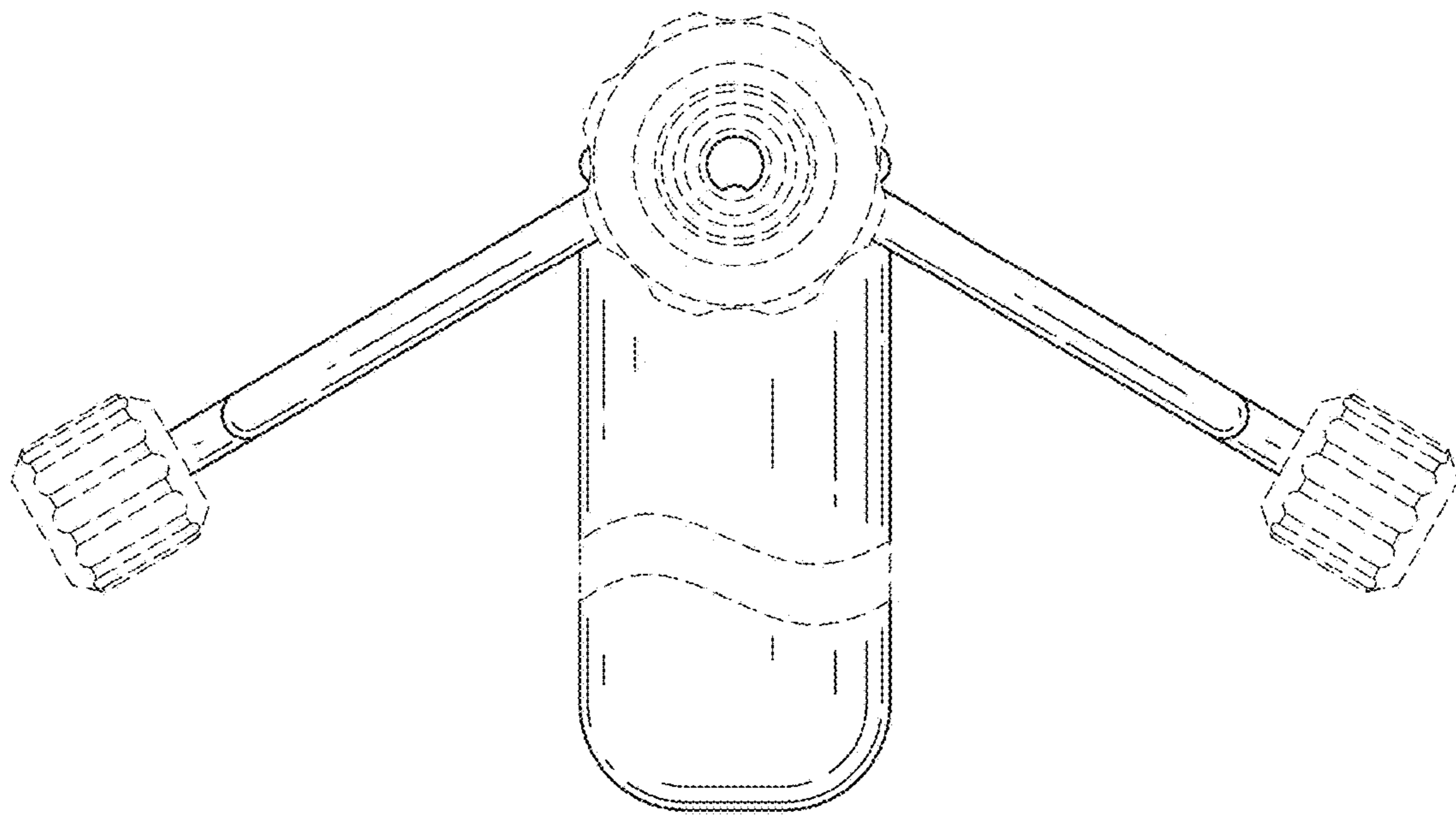


FIG.3

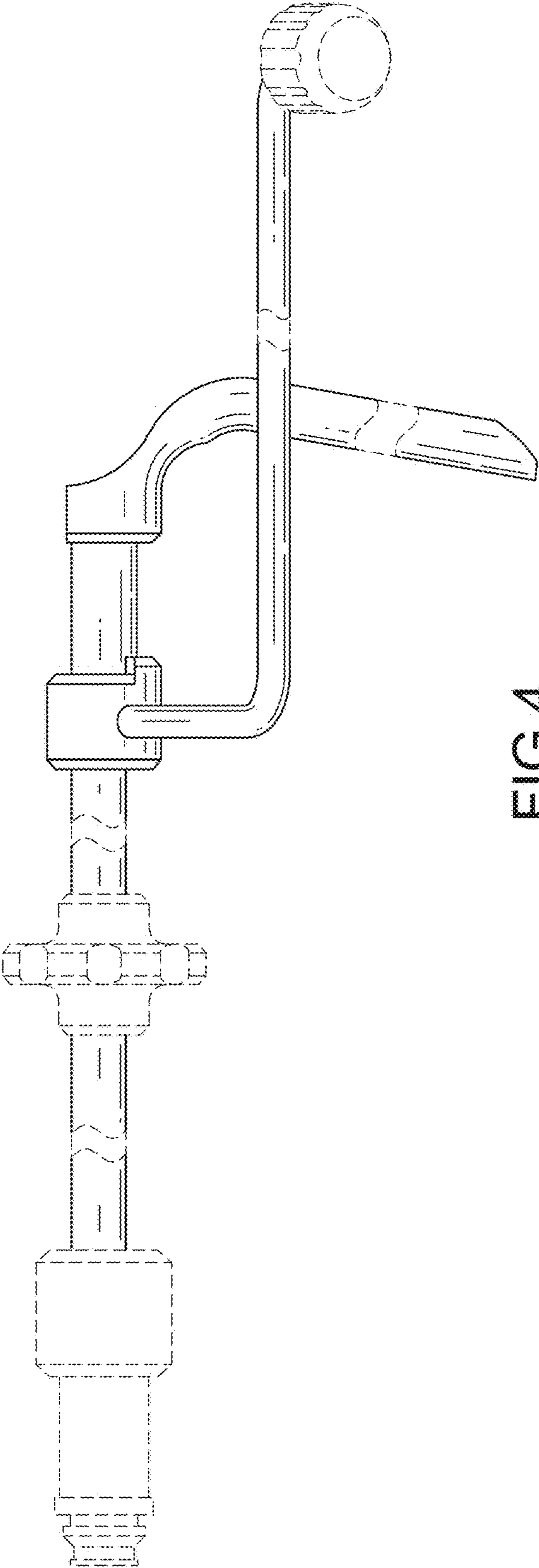


FIG.4

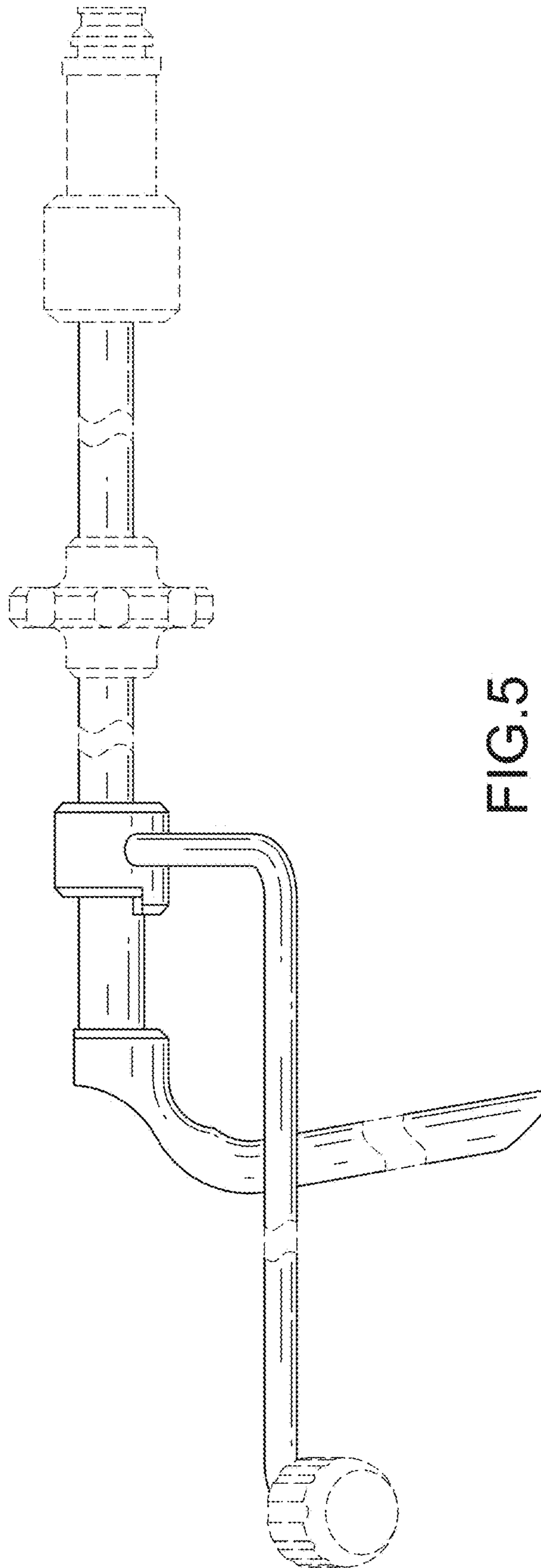


FIG. 5

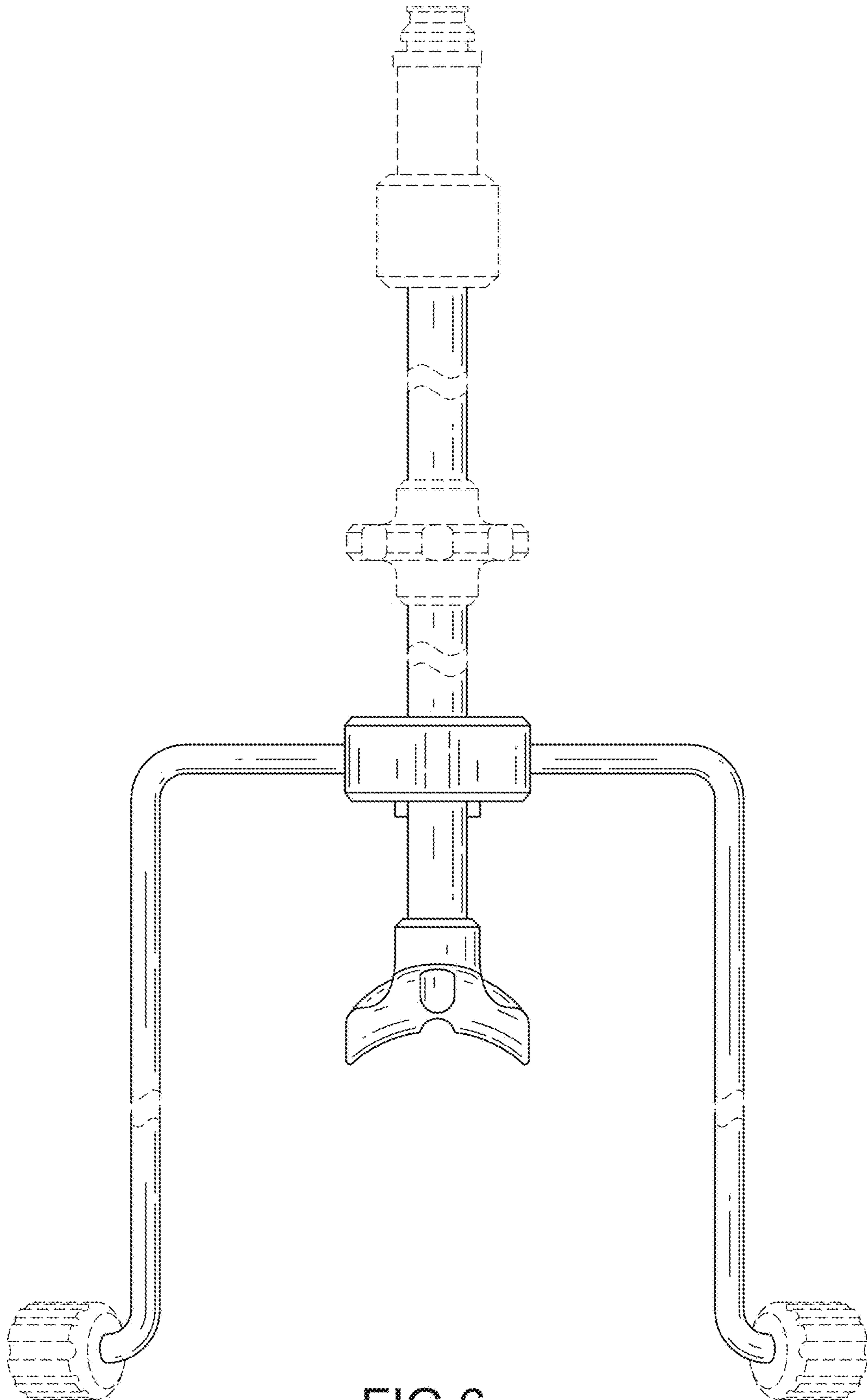


FIG. 6



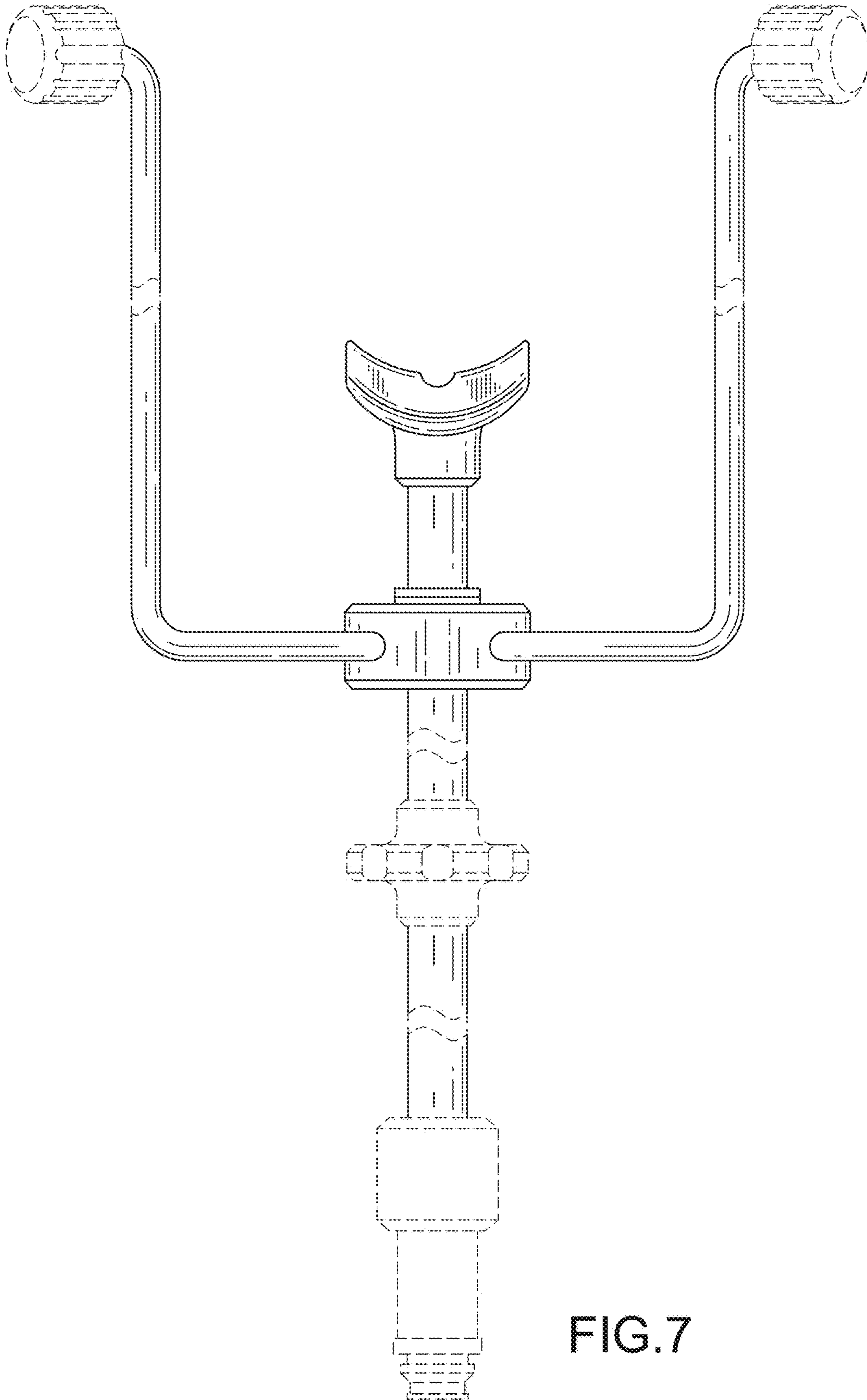


FIG.7