



US00D835273S

(12) **United States Design Patent** (10) **Patent No.:** **US D835,273 S**
Orr et al. (45) **Date of Patent:** **** Dec. 4, 2018**

(54) **URETHRAL PLUG INSERTER**
(71) Applicant: **LIFE360 INNOVATIONS INC.**,
Vancouver, B.C. (CA)

5,498,252 A 3/1996 Silber
5,509,427 A 4/1996 Simon
5,513,659 A 5/1996 Buuck
(Continued)

(72) Inventors: **Robert Mitchell Orr**, Vancouver (CA);
Thom Bellaire, Vancouver (CA); **Nigel Halsted**, Vancouver (CA); **Ernie Janzen**, Vancouver (CA)

FOREIGN PATENT DOCUMENTS

DE 10304614 A1 8/2004
EP 0193406 A2 9/1986
(Continued)

(73) Assignee: **LIFE360 INNOVATIONS INC.**,
Vancouver, BC (CA)

OTHER PUBLICATIONS

(**) Term: **15 Years**

Dribblestop Product information downloaded from <http://www.incontinenceclamp.com/product.php?gclid=CLHvua-Wj6UCFRhzwodlwx5Mg> on Jul. 11, 2010; 1 page.
(Continued)

(21) Appl. No.: **29/611,787**

(22) Filed: **Jul. 25, 2017**

(51) **LOC (11) Cl.** **24-02**

(52) **U.S. Cl.**
USPC **D24/141**

(58) **Field of Classification Search**
USPC D24/141, 114-115, 118-119, 127-128;
600/29
CPC A61F 2/0004; A61F 2/0009; A61F 2/0022;
A61F 2/0031; A61F 2/0036; A61F
2/0045; A61F 2/005; A61F 2/0054; A61F
6/12; Y10S 128/25
See application file for complete search history.

Primary Examiner — Wan Laymon

(74) *Attorney, Agent, or Firm* — Schwabe Williamson & Wyatt, PC

(57) **CLAIM**

We claim the ornamental design for a urethral plug inserter, as shown and described.

DESCRIPTION

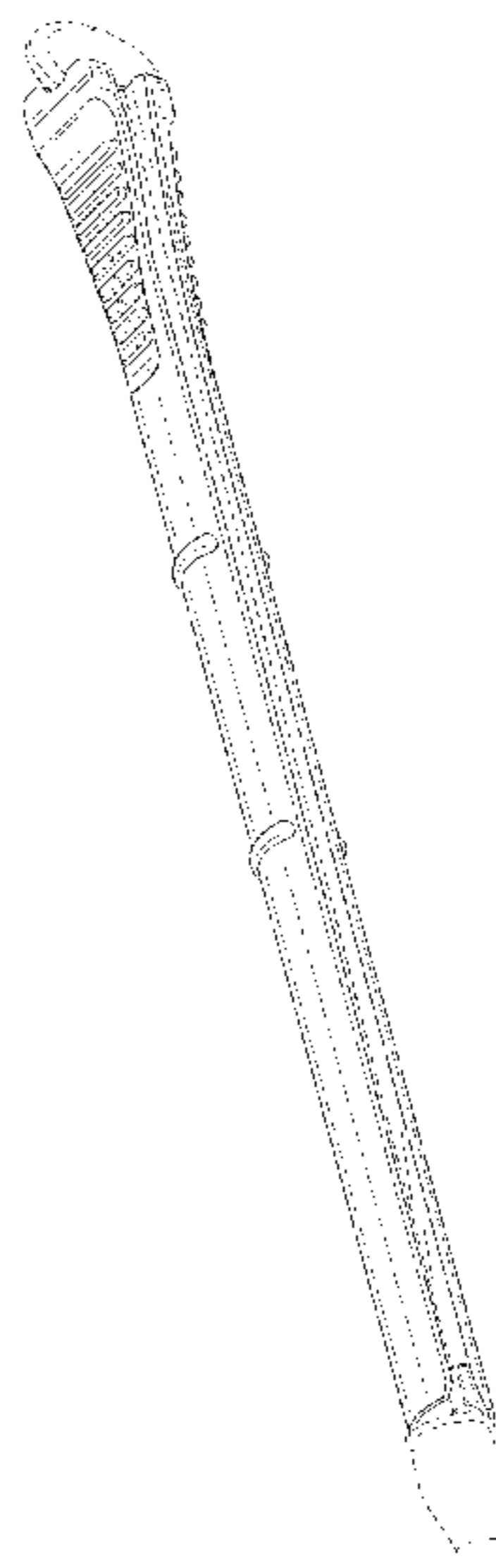
FIG. 1 is a perspective view of a urethral plug inserter, showing our new design;
FIG. 2 is a front view thereof;
FIG. 3 is a back view thereof;
FIG. 4 is a left side view thereof;
FIG. 5 is a right side view thereof;
FIG. 6 is a top view thereof;
FIG. 7 is a bottom view thereof; and,
FIG. 8 is a perspective view of the urethral plug inserter shown in a position of use holding a urethral plug.
The dashed lines are included for illustrating environmental structure and form no part of the claimed design.

(56) **References Cited**

U.S. PATENT DOCUMENTS

2,649,854 A 8/1953 Salm
2,848,998 A 8/1958 Bryan
3,463,141 A 8/1969 Mozolf
3,648,683 A 3/1972 Brodie
D236,035 S * 7/1975 Clencewicki D24/141
4,457,299 A 7/1984 Cornwell
D289,691 S * 5/1987 Rex D24/141
4,934,999 A 6/1990 Bader
5,090,424 A 2/1992 Simon et al.
5,140,999 A 8/1992 Ardito

1 Claim, 5 Drawing Sheets



(56)

References Cited

U.S. PATENT DOCUMENTS

5,630,429 A 5/1997 Dann
 5,671,755 A 9/1997 Simon
 5,701,914 A 12/1997 Loeffler
 5,724,994 A * 3/1998 Simon A61F 2/0009
 128/885
 5,752,525 A 5/1998 Simon et al.
 5,759,194 A 6/1998 Hammerslag
 5,795,288 A * 8/1998 Cohen A61F 2/0009
 128/DIG. 25
 5,884,629 A 3/1999 O'Brien
 5,887,593 A * 3/1999 Levius A61F 2/0022
 128/885
 5,906,575 A 5/1999 Conway
 5,954,688 A 9/1999 Adams
 5,971,967 A 10/1999 Willard
 5,989,230 A 11/1999 Frassica
 6,080,142 A 6/2000 Sachse
 6,167,886 B1 * 1/2001 Engel A61F 2/0027
 600/29
 6,311,689 B1 * 11/2001 Tihon A61F 2/0022
 128/885
 6,419,624 B1 * 7/2002 Burton A61F 2/0027
 600/29
 6,425,854 B1 * 7/2002 Galt A61F 2/0036
 600/29
 6,558,370 B2 5/2003 Moser
 6,676,594 B1 * 1/2004 Zunker A61F 2/005
 600/29
 6,695,763 B2 2/2004 Zunker et al.

6,895,972 B2 * 5/2005 Tihon A61F 2/0022
 128/869
 6,911,001 B2 6/2005 Zunker
 7,108,655 B2 9/2006 Whalen et al.
 RE39,626 E * 5/2007 Tihon A61F 2/0022
 128/885
 7,255,673 B2 8/2007 Ulmsten
 7,655,021 B2 2/2010 Brasington et al.
 7,771,344 B2 8/2010 Ziv
 D704,836 S * 5/2014 Shiao D24/141
 9,707,065 B2 7/2017 Kunz
 2004/0122285 A1 6/2004 Zunker
 2006/0079835 A1 4/2006 Frassica
 2006/0195006 A1 8/2006 Daurell et al.
 2006/0205996 A1 * 9/2006 Presthus A61F 2/0022
 600/29
 2007/0078389 A1 4/2007 Whalen et al.
 2008/0009931 A1 1/2008 Bartning et al.
 2009/0203959 A1 8/2009 Ziv
 2011/0028778 A1 2/2011 Kunz

FOREIGN PATENT DOCUMENTS

EP 0821919 A2 2/1998
 WO 92/19192 A1 11/1992

OTHER PUBLICATIONS

Datamonitor, "Pipeline and Commercial Insight: Urinary Incontinence," 185 pages, published Dec. 2007.

* cited by examiner

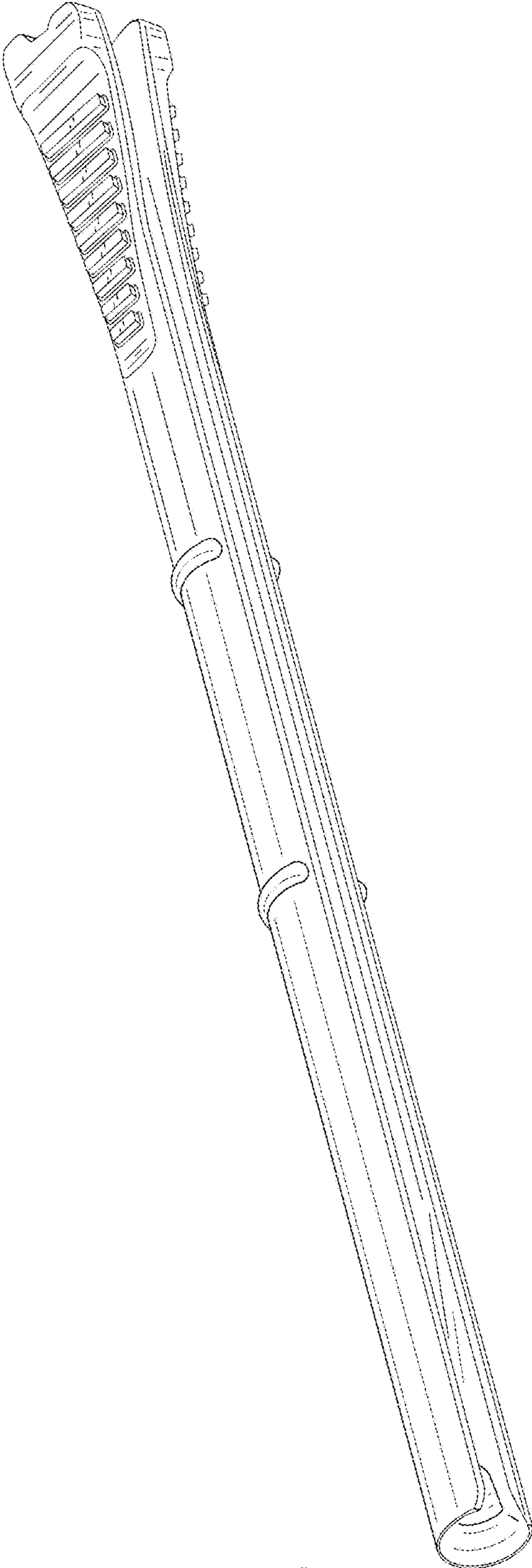


FIG. 1

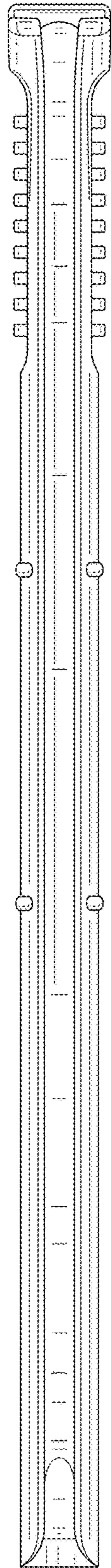


FIG. 2

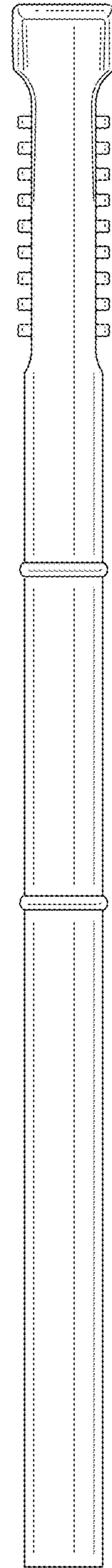


FIG. 3

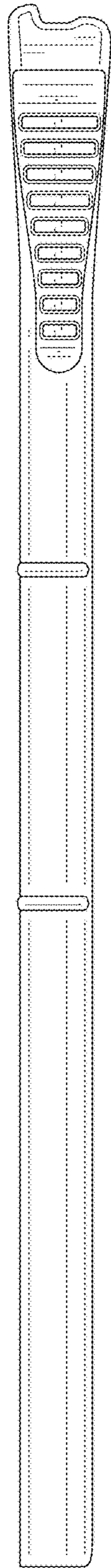


FIG. 4

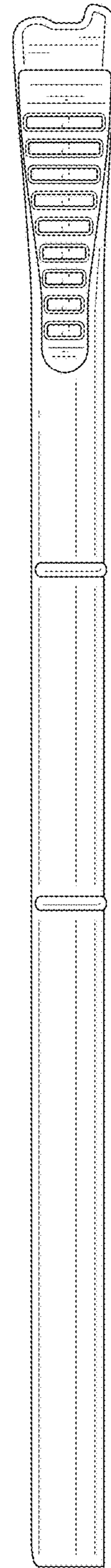


FIG. 5

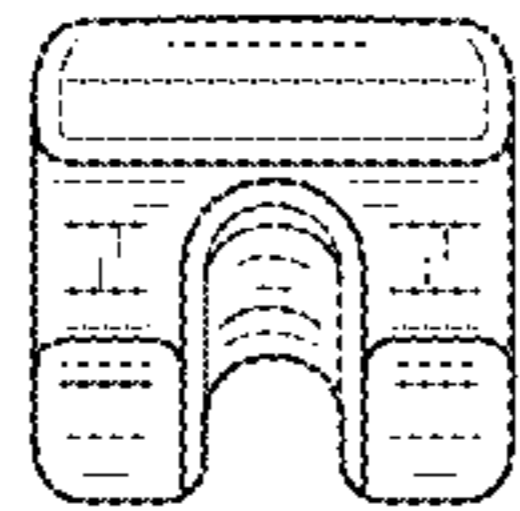


FIG. 6

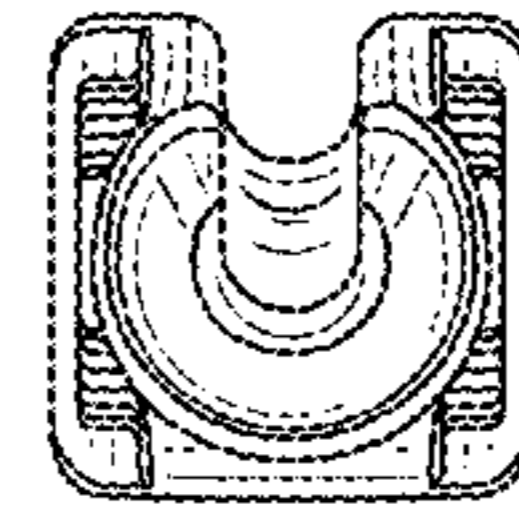


FIG. 7

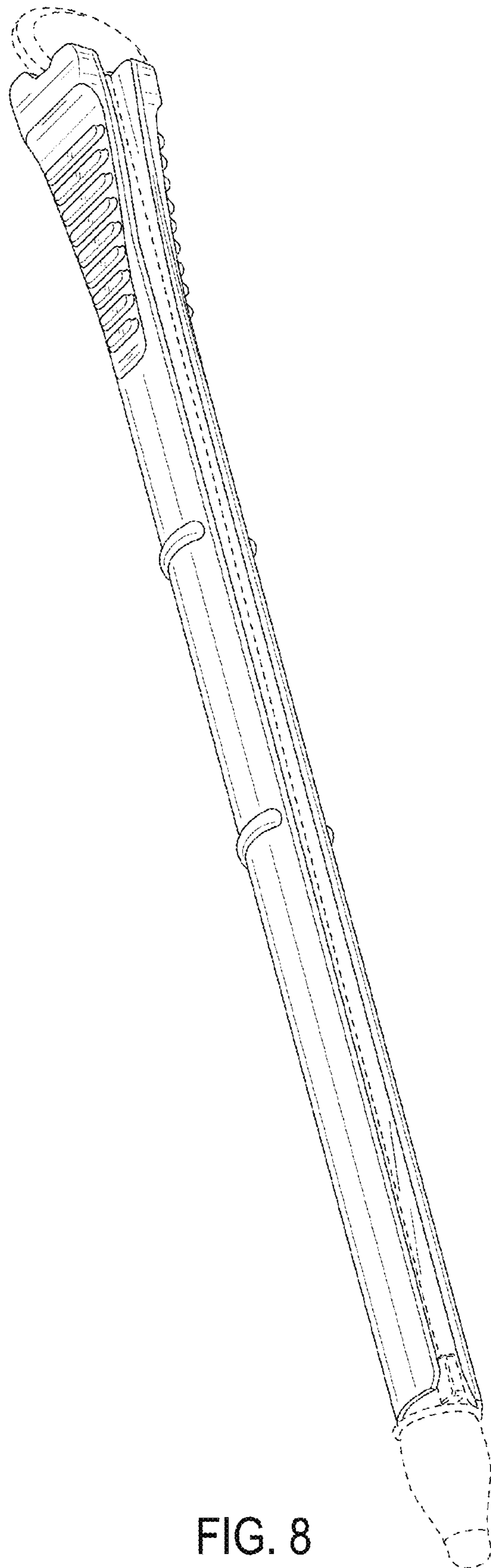


FIG. 8