



US00D835271S

(12) **United States Design Patent**
Myers et al.

(10) **Patent No.:** **US D835,271 S**
(45) **Date of Patent:** **** Dec. 4, 2018**

(54) **OPTICAL IMAGING DEVICE**

(71) Applicant: **Welch Allyn, Inc.**, Skaneateles Falls,
NY (US)

(72) Inventors: **Thomas Myers**, Skaneateles Falls, NY
(US); **Richard Farchione**, Skaneateles
Falls, NY (US); **Isabel Walther Firpo**,
Oak Park, IL (US)

(73) Assignee: **WELCH ALLYN, INC.**, Skaneateles
Falls, NY (US)

(**) Term: **15 Years**

(21) Appl. No.: **29/544,302**

(22) Filed: **Nov. 2, 2015**

(51) **LOC (11) Cl.** **24-02**

(52) **U.S. Cl.**
USPC **D24/137**

(58) **Field of Classification Search**
USPC D24/172, 160, 133, 138, 150, 158, 186,
D24/137; D8/107, 303; D16/130, 134
CPC A61B 3/12
See application file for complete search history.

(56) **References Cited**

U.S. PATENT DOCUMENTS

D286,814 S	*	11/1986	Brainard, II	600/200
D298,630 S	*	11/1988	Sellars, Jr.	D14/428
D358,471 S	*	5/1995	Cope	D24/137
D594,555 S	*	6/2009	Hsu	D24/137
D618,346 S	*	6/2010	Sisko	D24/137
D618,794 S	*	6/2010	Onuma	D24/137
D619,708 S	*	7/2010	Ellman	D24/137

D635,257 S	*	3/2011	Ellman	D24/137
D708,326 S	*	7/2014	Wang	D24/137
D708,327 S	*	7/2014	Wang	D24/137
D736,918 S	*	8/2015	Liu	D24/137
D737,823 S	*	9/2015	Partridge	D14/428

* cited by examiner

Primary Examiner — Janice Hallmark
Assistant Examiner — Eliza Bennett-Hattan

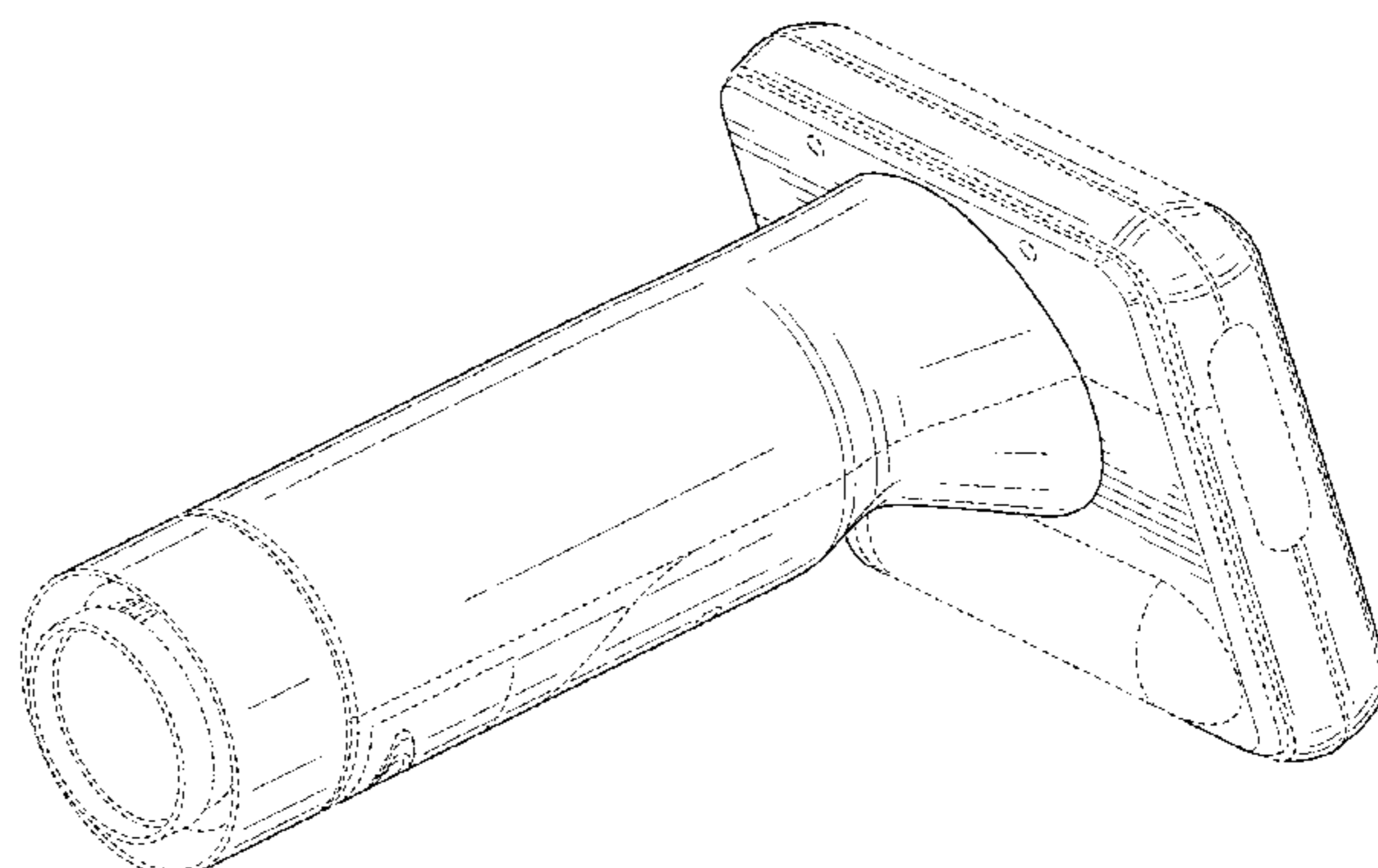
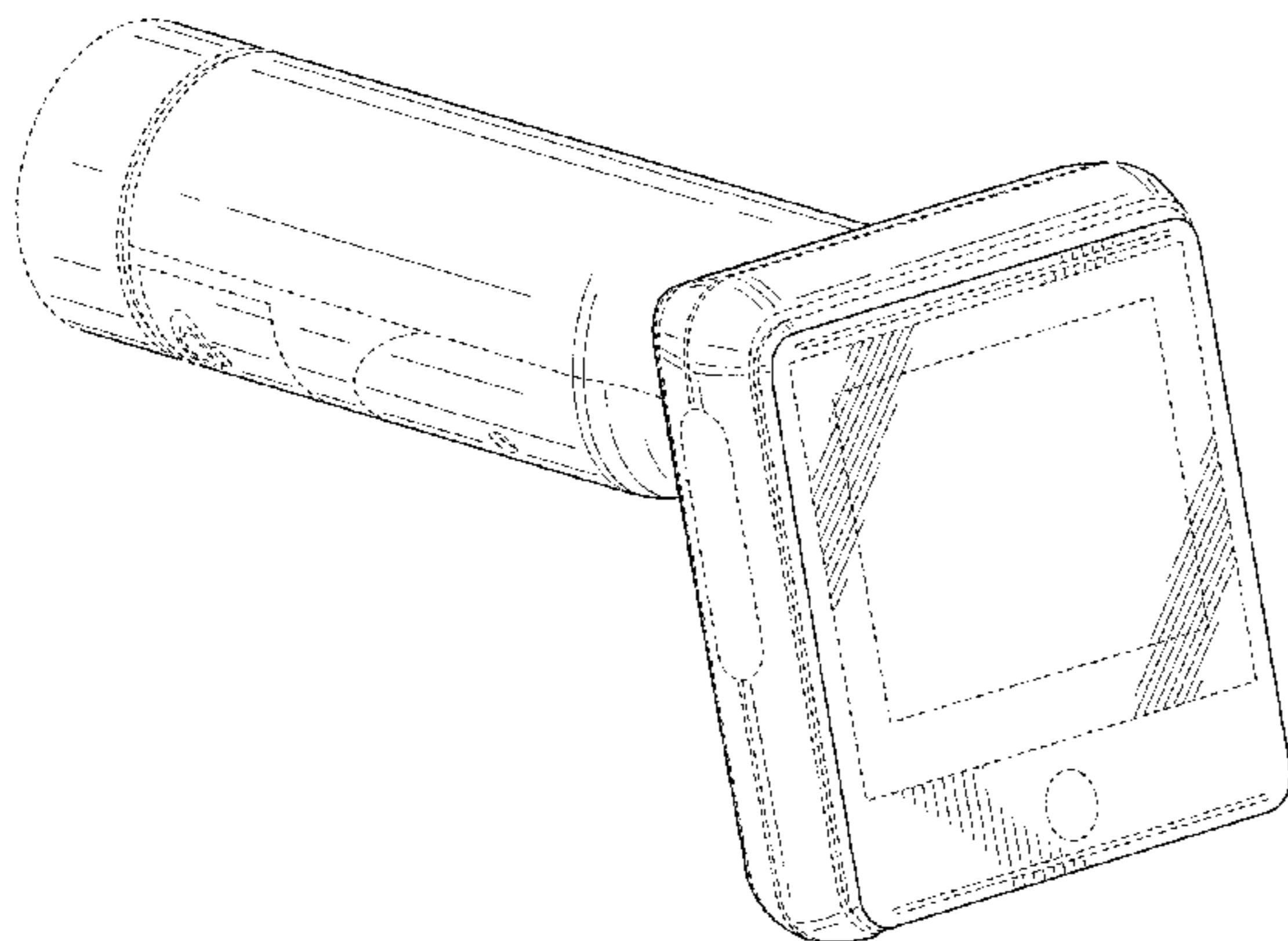
(57) **CLAIM**

The ornamental design for an optical imaging device, as shown and described.

DESCRIPTION

FIG. 1 is a perspective view of an optical imaging device showing our new design;
FIG. 2 is another perspective view thereof;
FIG. 3 is a front elevation view thereof;
FIG. 4 is a rear elevation view thereof;
FIG. 5 is a left side elevation view thereof;
FIG. 6 is a right side elevation view thereof;
FIG. 7 is a top plan view thereof;
FIG. 8 is a bottom plan view thereof; and,
FIG. 9 is another right side elevation view thereof, shown in a position of use with an attached eye cap.
Broken lines shown immediately adjacent shaded areas represent the bounds of the claimed design and unclaimed portions of the optical imaging device. Broken lines in FIG. 9 showing an eye cap depict environmental subject matter only. All other broken lines are directed to unclaimed portions of the optical imaging device. All broken lines form no part of the claimed design.

1 Claim, 5 Drawing Sheets



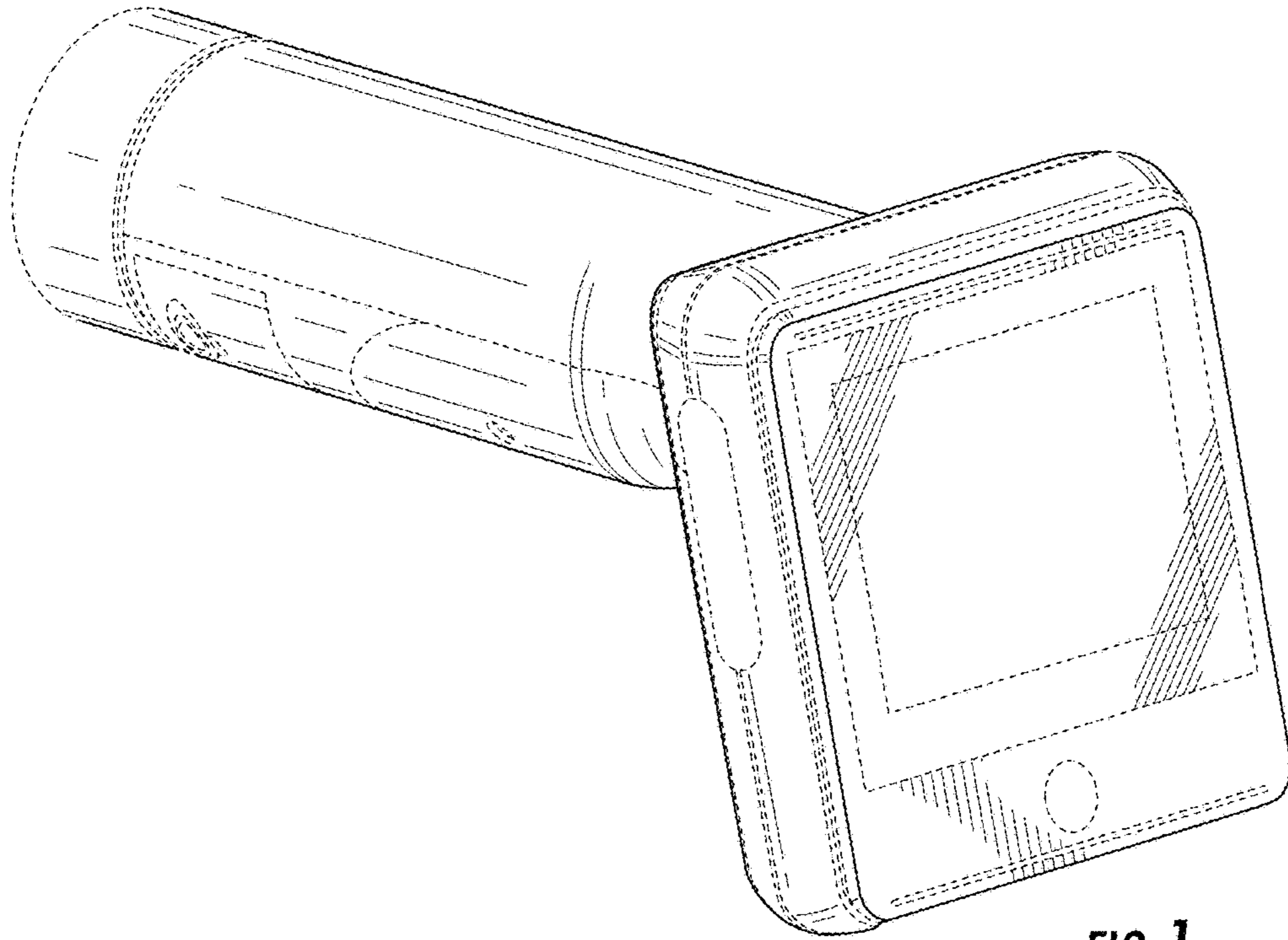


FIG. 1

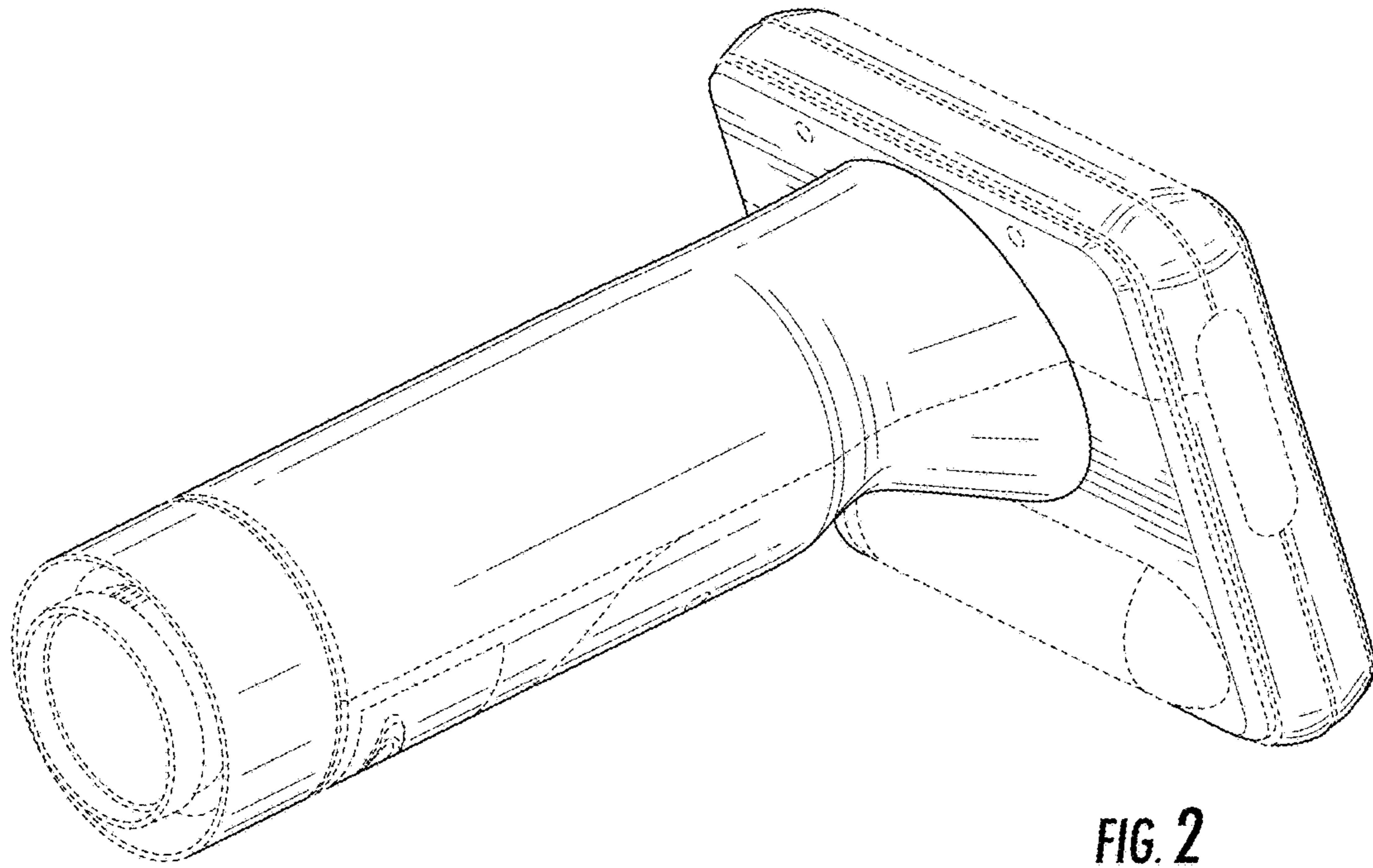


FIG. 2

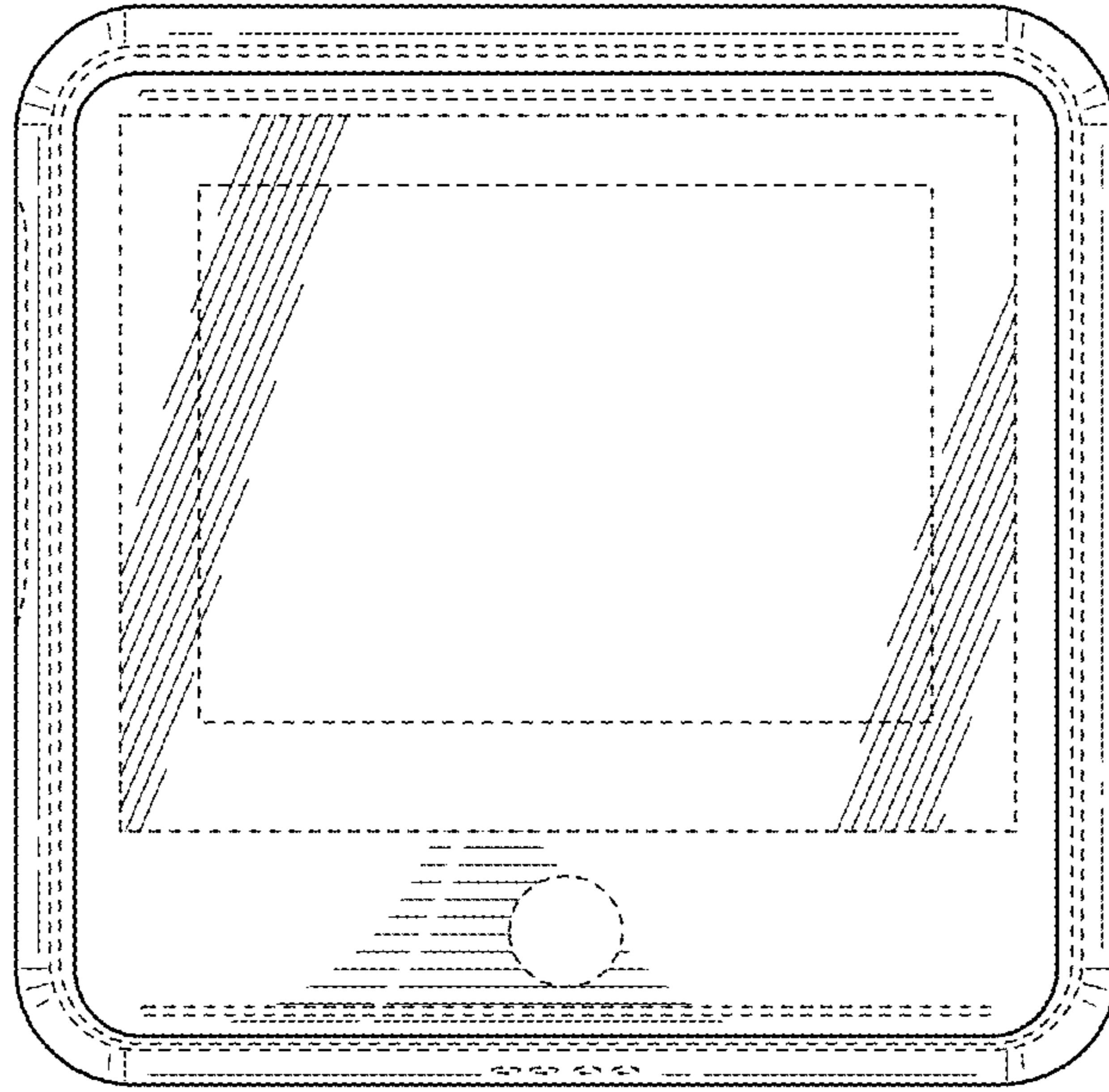


FIG. 3

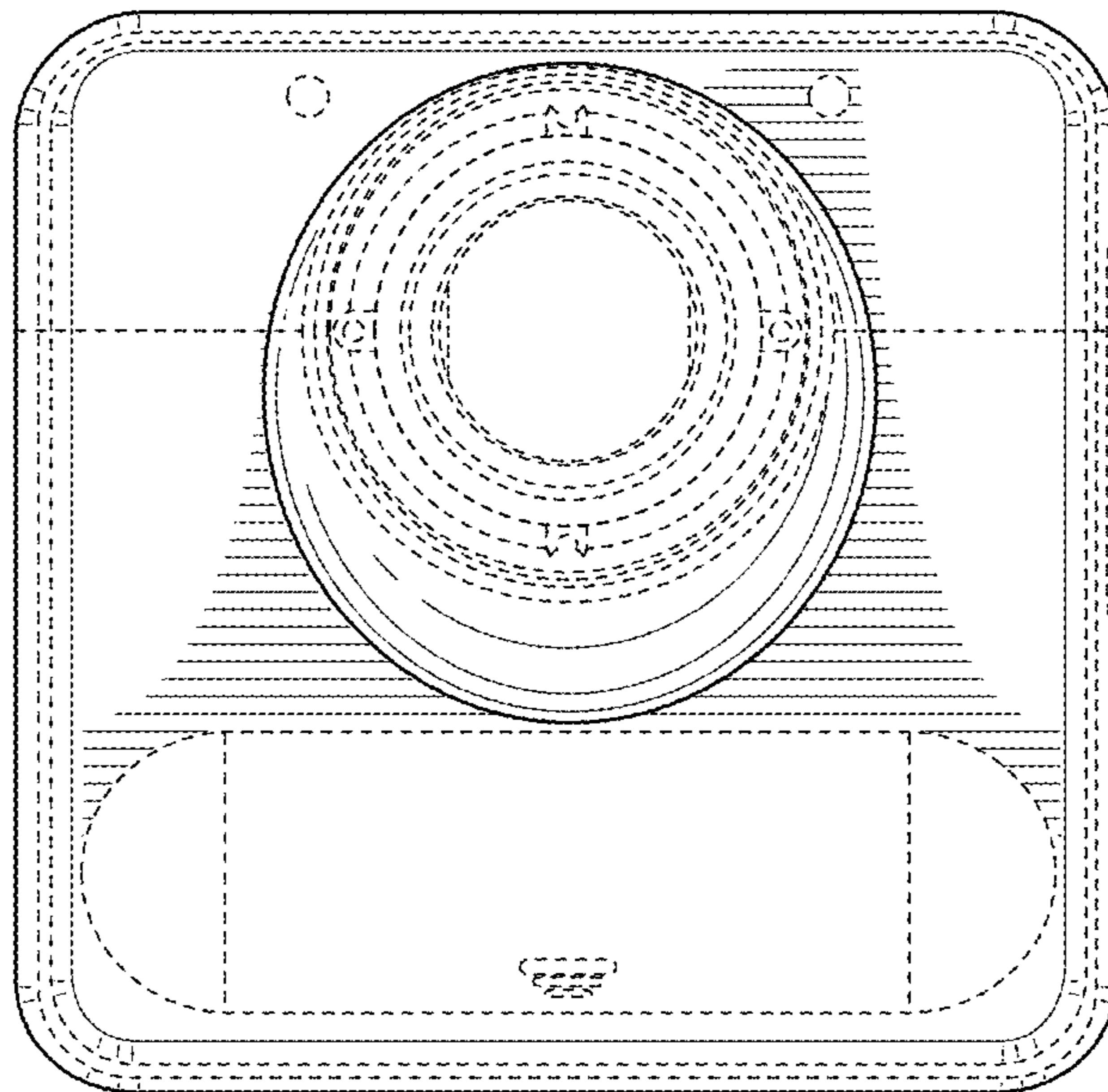


FIG. 4

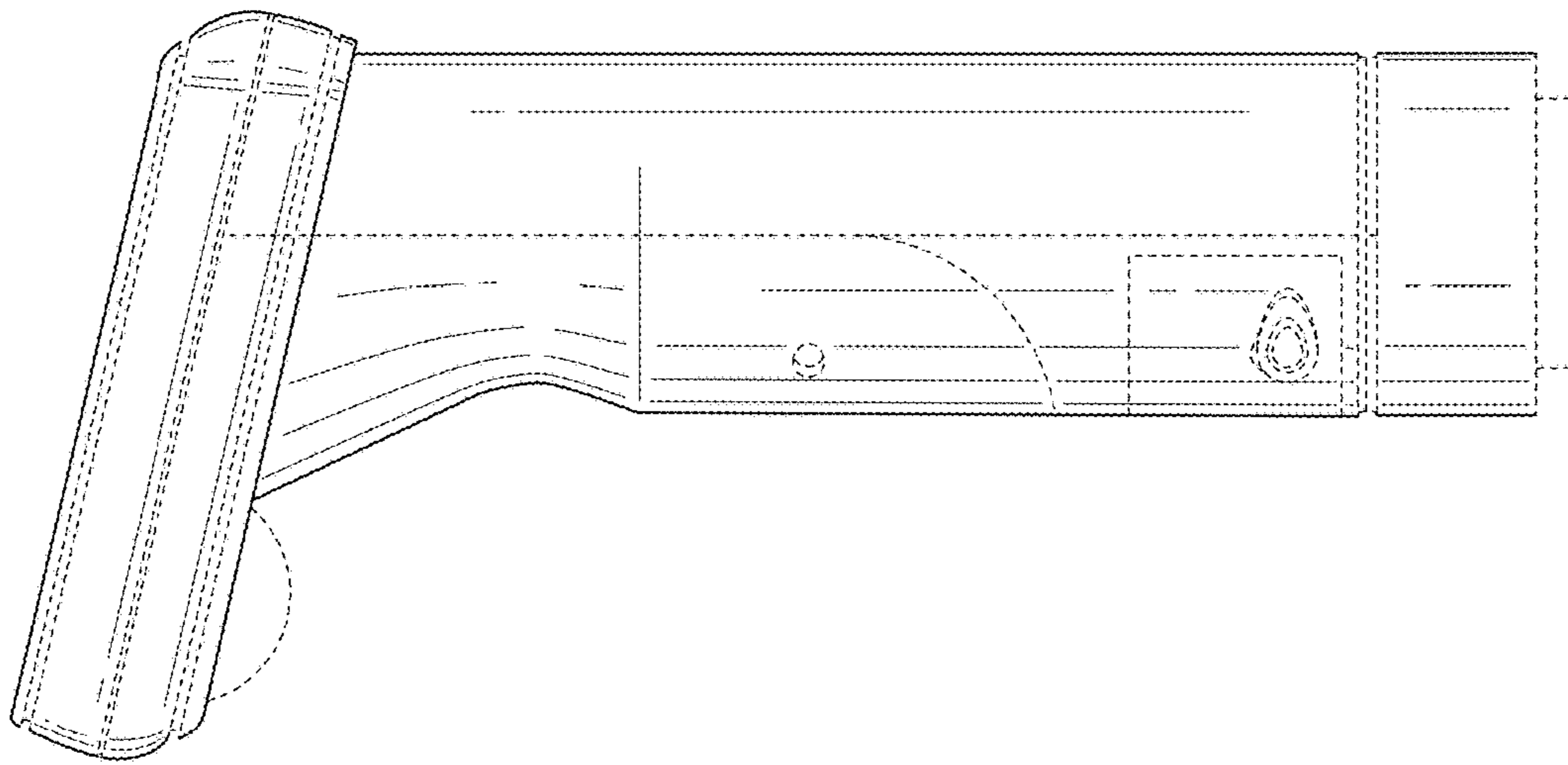


FIG. 5

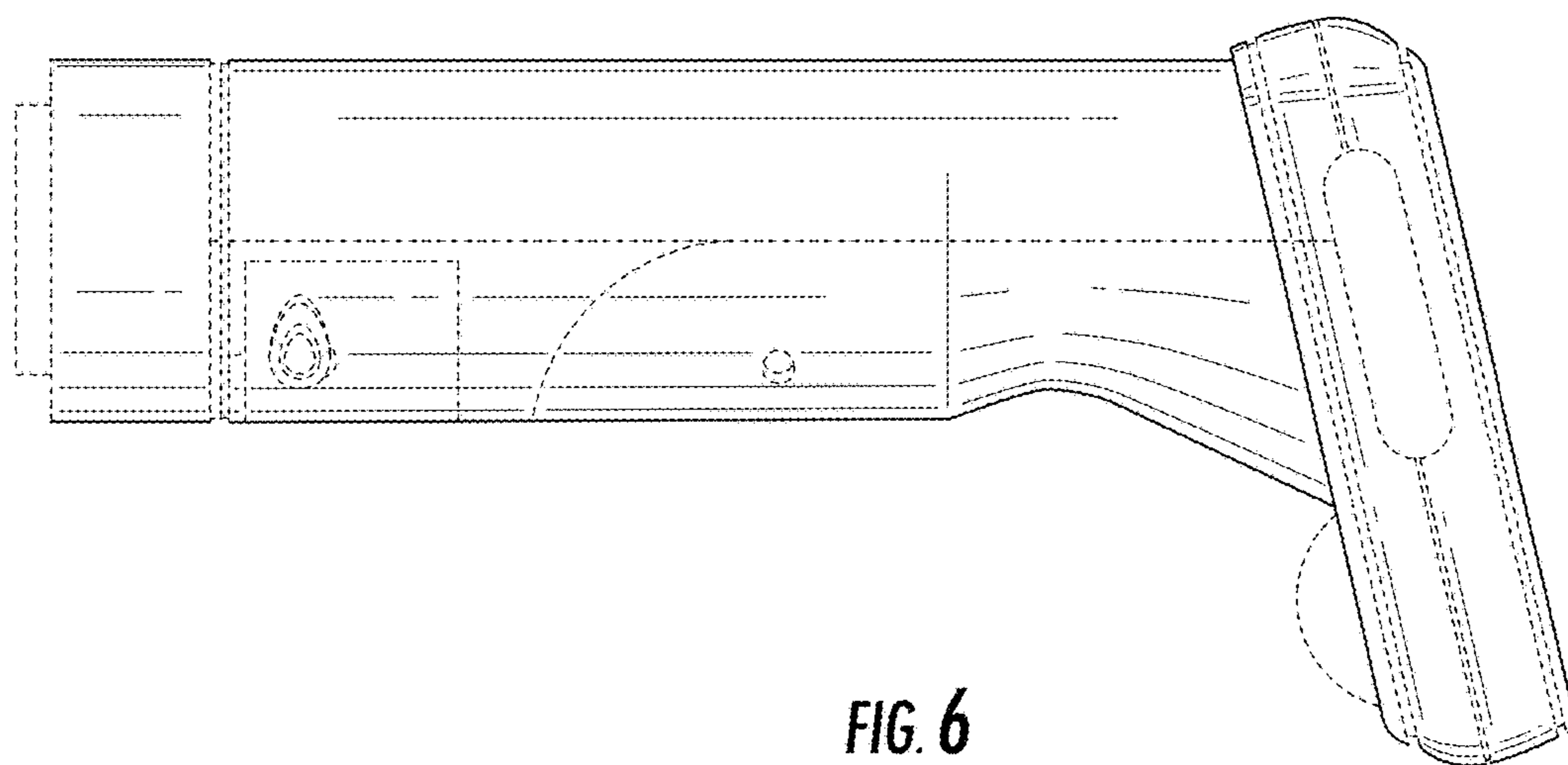


FIG. 6

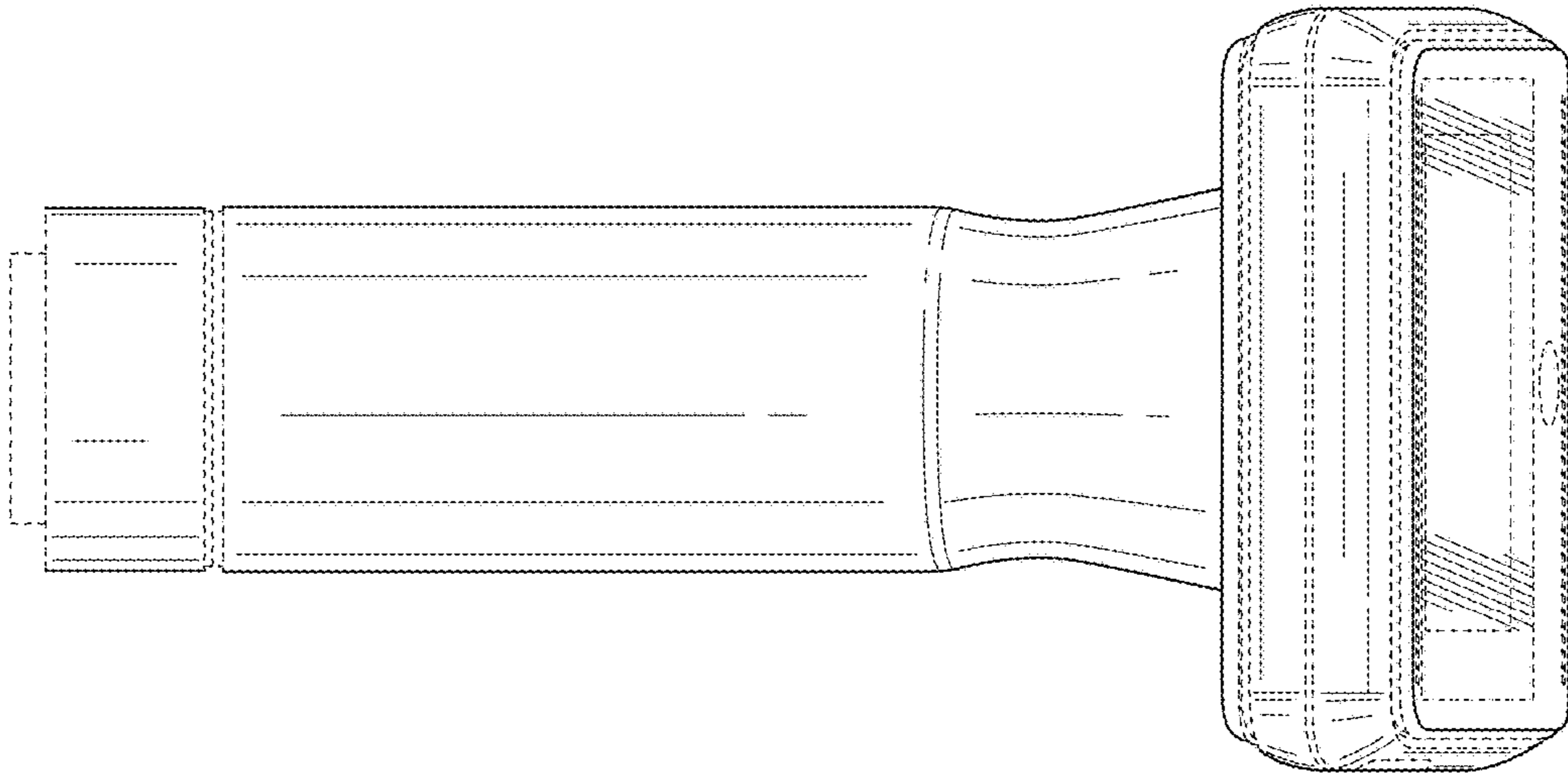


FIG. 7

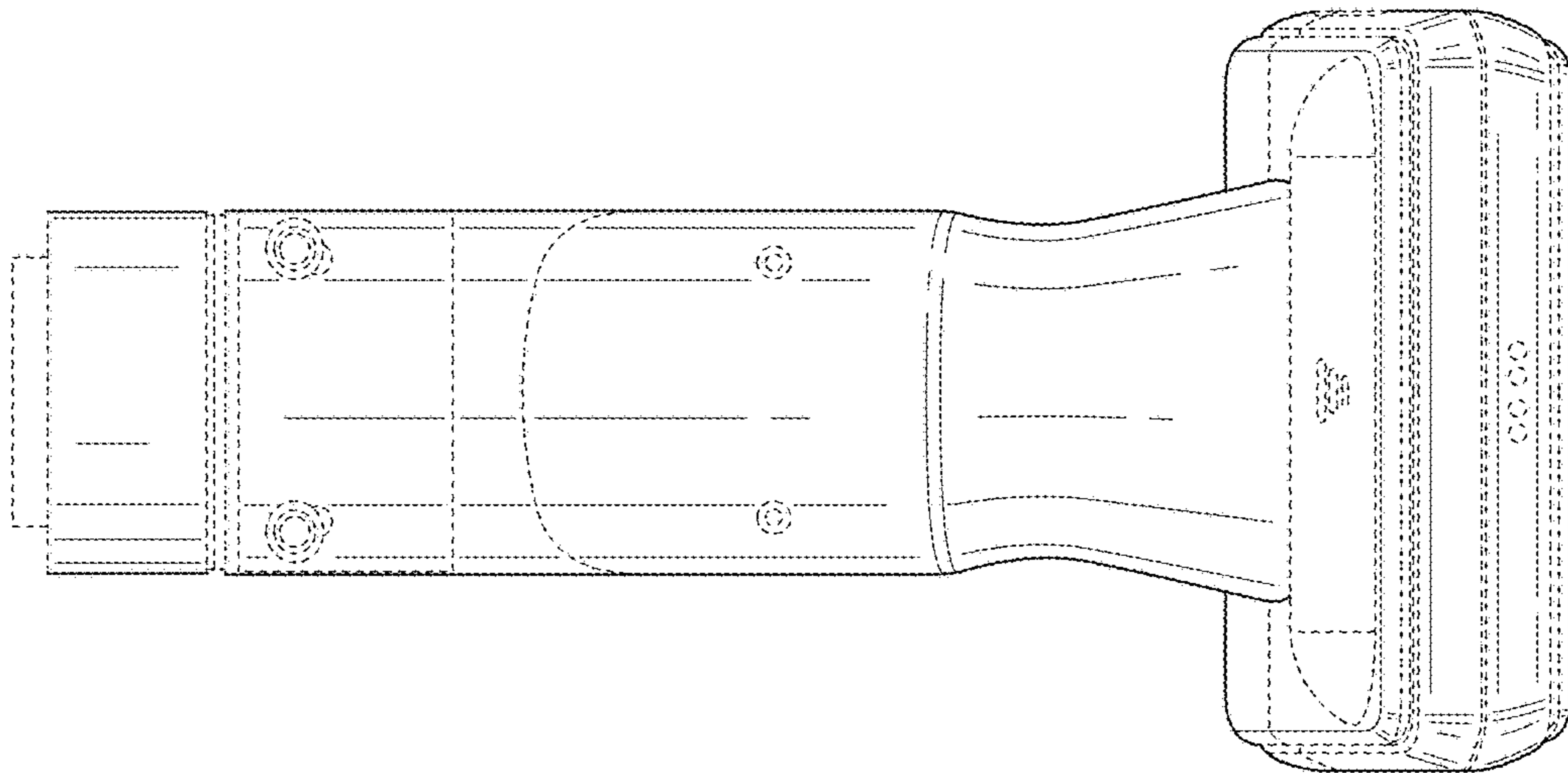


FIG. 8

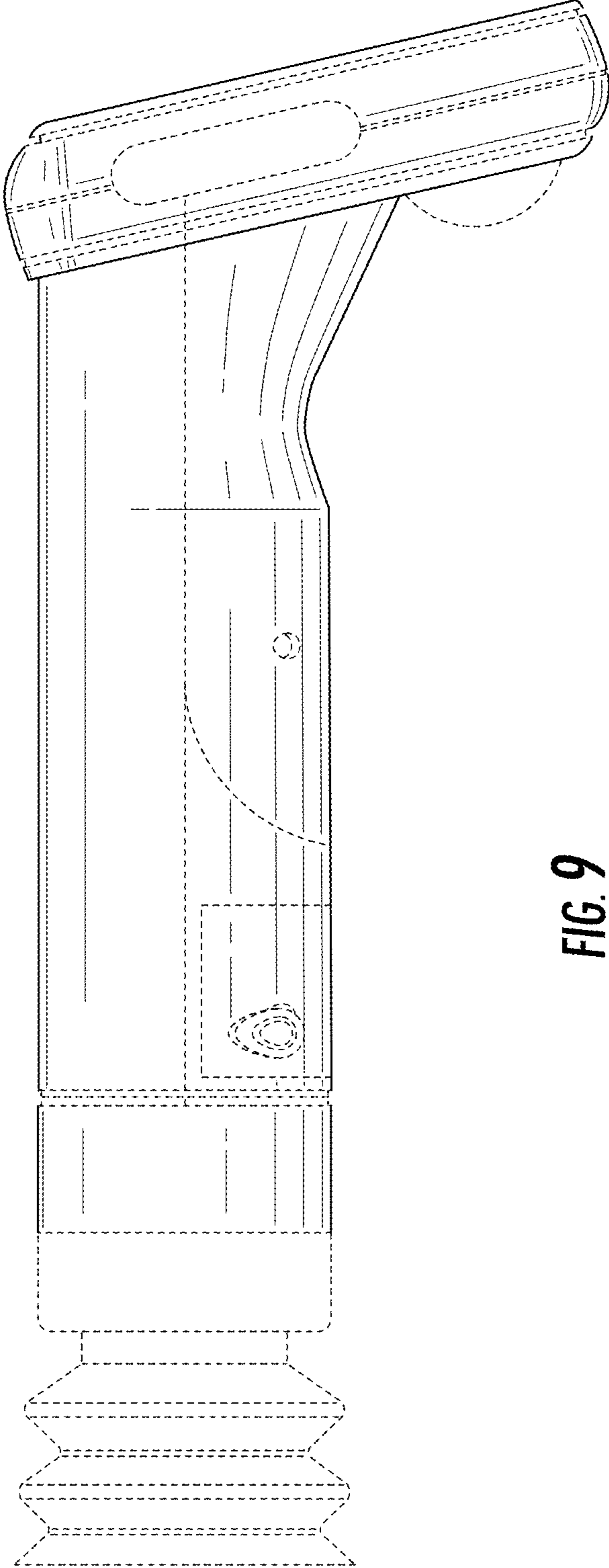


FIG. 9

UNITED STATES PATENT AND TRADEMARK OFFICE
CERTIFICATE OF CORRECTION

PATENT NO. : D835,271 S
APPLICATION NO. : 29/544302
DATED : December 4, 2018
INVENTOR(S) : Myers et al.

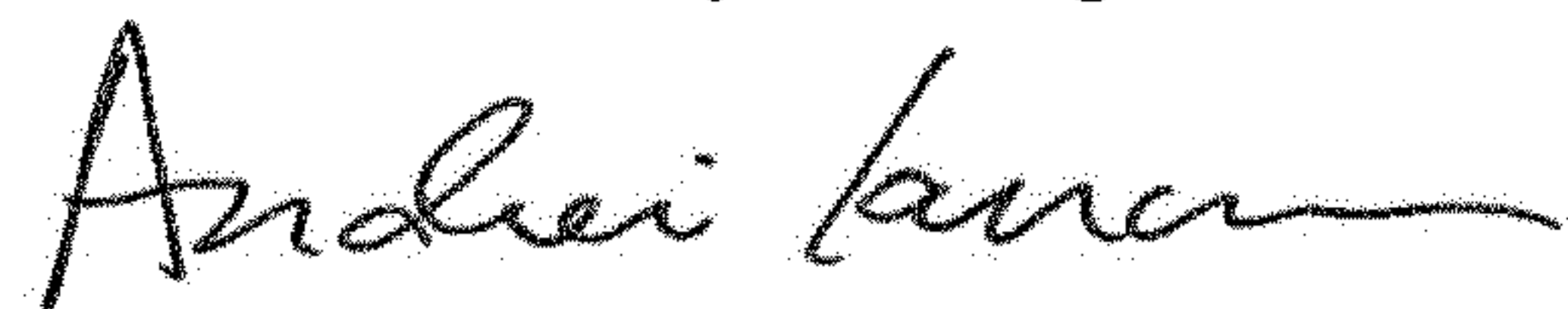
Page 1 of 1

It is certified that error appears in the above-identified patent and that said Letters Patent is hereby corrected as shown below:

On the Title Page

Item (72) Inventors: "Thomas Myers, Skaneteles Falls, NY (US)" should read --Thomas Myers, Skaneateles Falls, NY (US)--.

Signed and Sealed this
Thirteenth Day of August, 2019



Andrei Iancu
Director of the United States Patent and Trademark Office