



US00D835270S

(12) **United States Design Patent** (10) **Patent No.:** **US D835,270 S**
Benson et al. (45) **Date of Patent:** **** Dec. 4, 2018**

(54) **TENACULUM**

- (71) Applicant: **Benson Medical LLC**, Deerfield, IL (US)
- (72) Inventors: **Michael Benson**, Deerfield, IL (US);
Julia Benson, Deerfield, IL (US)
- (73) Assignee: **Benson Medical LLC**, Gurnee, IL (US)
- (**) Term: **15 Years**
- (21) Appl. No.: **29/571,713**
- (22) Filed: **Jul. 21, 2016**

Related U.S. Application Data

- (63) Continuation of application No. 29/554,174, filed on Feb. 9, 2016, and a continuation of application No. 15/153,344, filed on May 12, 2016.

- (51) **LOC (11) Cl.** **24-02**
- (52) **U.S. Cl.**

USPC **D24/133**

- (58) **Field of Classification Search**
- USPC D24/133, 143, 144, 146, 147, 148, 153;
D8/51, 52, 54, 57, 93; 606/114, 119,
606/157, 205; 30/194, 195

(Continued)

- (56) **References Cited**

U.S. PATENT DOCUMENTS

- 3,063,455 A 11/1962 Markley 128/325
- 3,209,753 A 10/1965 Hawkins et al.

(Continued)

FOREIGN PATENT DOCUMENTS

- CN 201160876 Y 12/2008 A61B 17/28
- CN 202154722 U 3/2012 A61B 17/28

(Continued)

OTHER PUBLICATIONS

International Searching Authority, International Search Report—International Application No. PCT/US2016/032140, dated Jul. 29, 2016, together with the Written Opinion of the International Searching Authority, 27 pages.

(Continued)

Primary Examiner — Derrick Holland

Assistant Examiner — Yolanda Robinson

(74) *Attorney, Agent, or Firm* — Sunstein Kann Murphy & Timbers LLP

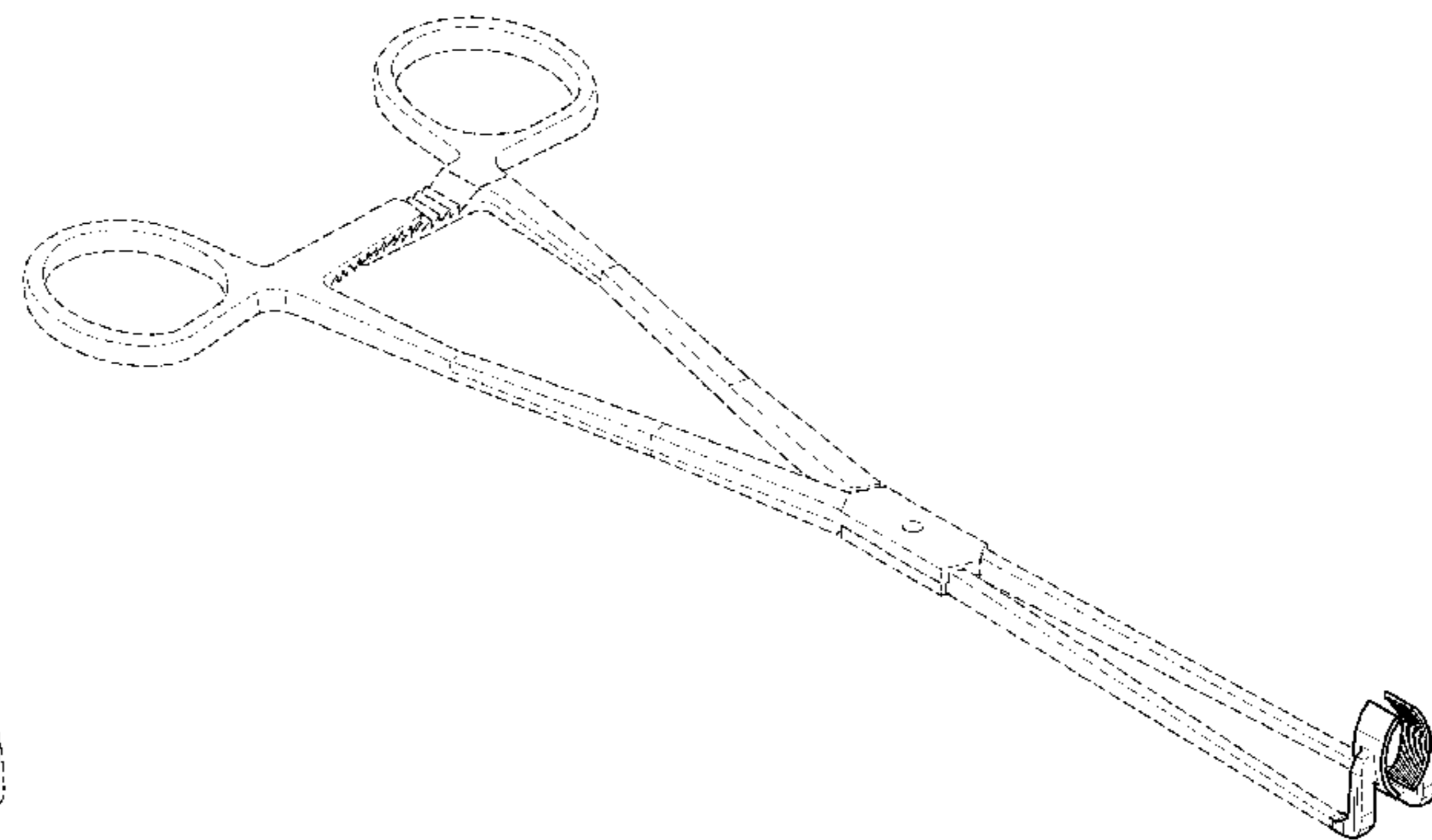
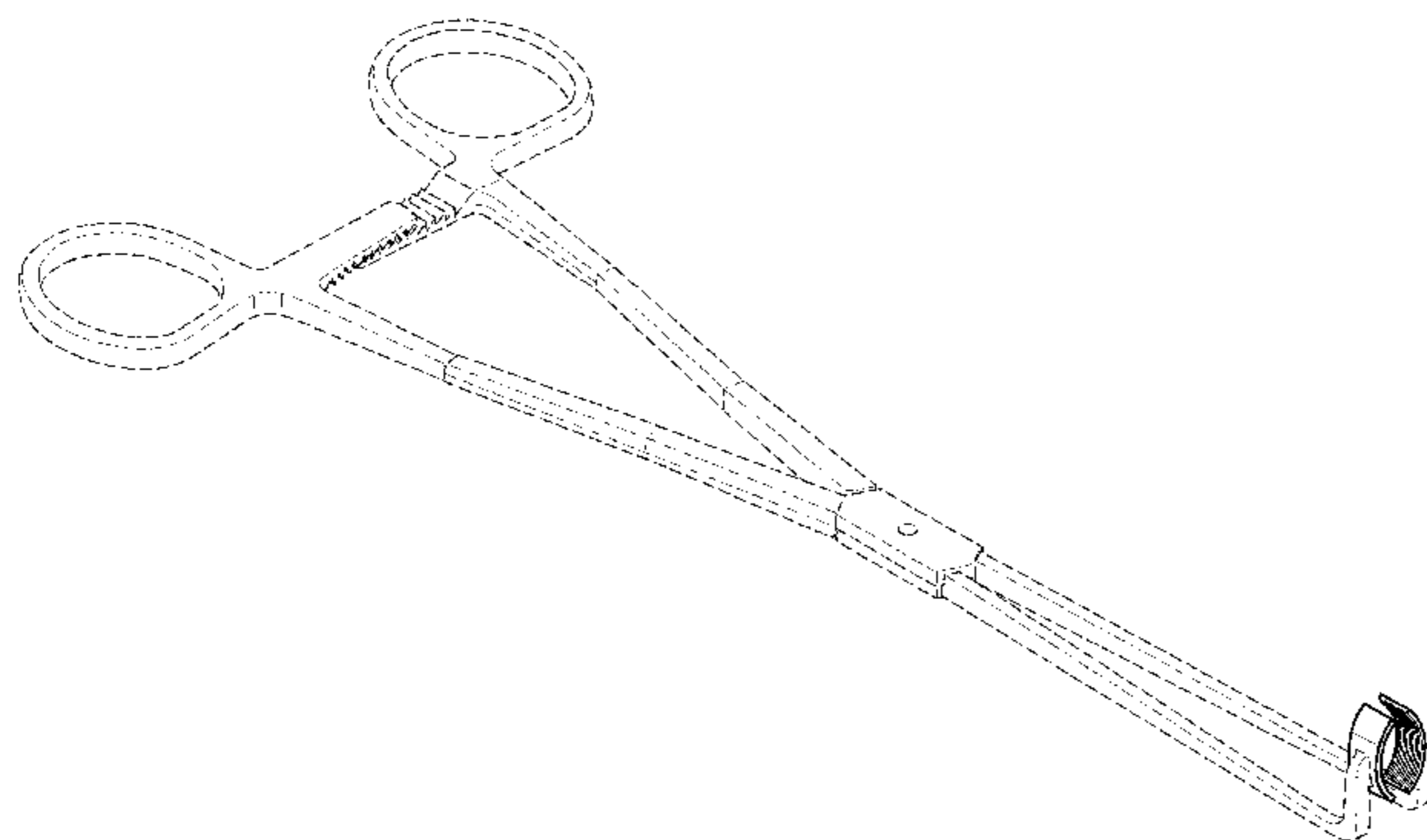
- (57) **CLAIM**

The ornamental design for a tenaculum, as shown and described.

DESCRIPTION

FIG. 1 shows a front perspective view of a first embodiment of a tenaculum in accordance with the present invention; FIG. 2 shows a top view of the first embodiment; FIG. 3 shows a bottom view of the first embodiment; FIG. 4 shows a right side view of the first embodiment; FIG. 5 shows a left side view of the first embodiment; FIG. 6 shows a front view of the first embodiment; FIG. 7 shows a rear view of the first embodiment; FIG. 8 shows a front perspective view of a second embodiment of a tenaculum in accordance with the present invention; FIG. 9 shows a top view of the second embodiment; FIG. 10 shows a bottom view of the second embodiment; FIG. 11 shows a right side view of the second embodiment; FIG. 12 shows a left side view of the second embodiment; FIG. 13 shows a front view of the second embodiment; and, FIG. 14 shows a rear view of the second embodiment. The broken lines shown represent unclaimed subject matter and form no part of the claimed design.

1 Claim, 8 Drawing Sheets



(58) **Field of Classification Search**
 CPC ... A61B 17/42; A61B 17/2812; A61B 17/282;
 A61B 2017/2837; A61B 2017/00438;
 A61B 2017/4225
 See application file for complete search history.

(56) **References Cited**

U.S. PATENT DOCUMENTS

3,316,913	A	5/1967	Swenson	128/321
3,646,939	A	3/1972	Sklar	
3,762,417	A	10/1973	Textor	
3,779,248	A	12/1973	Karman	
3,898,738	A	8/1975	Linder	
D269,207	S	5/1983	Marlowe	D24/27
D273,326	S	4/1984	Peterson et al.	
D275,790	S	10/1984	Marlowe	D24/27
4,475,544	A	10/1984	Reis	
D323,214	S	1/1992	Carchidi	
D424,694	S	5/2000	Tetzlaff et al.	
7,329,265	B2 *	2/2008	Burbank	A61B 17/12 606/157
7,393,348	B2	7/2008	Dworschak et al.	
D575,400	S *	8/2008	Patterson	D24/143
7,438,717	B2	10/2008	Tylke	606/108
D580,548	S	11/2008	Mouret	
D581,053	S	11/2008	Gesler, III	
D617,456	S *	6/2010	Ott	D24/135
D617,905	S	6/2010	Moorman	
D625,008	S	10/2010	Boedeker	
D638,322	S	5/2011	Teramoto	
D639,942	S *	6/2011	Terry	D24/135
D650,253	S *	12/2011	Liu	D8/52
D661,395	S *	6/2012	Titolo	D24/143
D669,177	S	10/2012	Castelnuovo et al.	
D669,178	S	10/2012	Castelnuovo et al.	
8,439,850	B2 *	5/2013	Sherts	A61B 5/1076 33/512
D706,007	S *	5/2014	Ediger	D32/35
8,876,736	B2 *	11/2014	Sherts	A61B 5/1076 33/512
D719,655	S	12/2014	Lim	
9,022,918	B2	5/2015	Chu	
D743,767	S *	11/2015	Montague	D8/57
D744,099	S	11/2015	Osada	
D750,244	S	2/2016	Osada	
9,265,514	B2 *	2/2016	Banfalvi	A61B 17/282
D759,818	S *	6/2016	Peterson	D24/153
D765,247	S *	8/2016	Devonish Brown	D24/147
D775,333	S	12/2016	Ding et al.	
9,610,088	B2 *	4/2017	Banfalvi	A61B 17/282
9,630,329	B2 *	4/2017	Rhue	B26B 13/06
D794,788	S *	8/2017	Benson	D24/143
D802,133	S *	11/2017	Thrasher III	D24/143
2003/0120306	A1	6/2003	Burbank et al.	
2004/0097961	A1 *	5/2004	Burbank	A61B 17/42 606/119
2004/0153097	A1 *	8/2004	Burbank	A61B 17/12 606/119
2005/0101974	A1	5/2005	Burbank et al.	
2006/0030880	A1	2/2006	Tylke	
2007/0142844	A1	6/2007	Kotmel et al.	606/119
2007/0260269	A1 *	11/2007	Marmar	A61B 17/282 606/157
2008/0287985	A1	11/2008	Patterson et al.	
2009/0105720	A1 *	4/2009	Boone	A61B 17/42 606/119

2011/0251622	A1 *	10/2011	Basic	A61B 17/12 606/119
2012/0109014	A1 *	5/2012	Sherts	A61B 5/1076 600/591
2012/0109147	A1	5/2012	Auerbach et al.	606/119
2013/0018371	A1 *	1/2013	Twomey	A61B 17/28 606/41
2013/0144313	A1	6/2013	Hahn et al.	
2013/0190794	A1	7/2013	Kendall et al.	
2013/0231589	A1 *	9/2013	Sherts	A61B 5/1076 600/591
2014/0135787	A1	5/2014	Tylke	606/108
2015/0018837	A1	1/2015	Sartor et al.	
2015/0216544	A1	8/2015	Banfalvi	
2016/0331408	A1 *	11/2016	Benson	A61B 17/4241
2017/0135752	A1	5/2017	Singh	

FOREIGN PATENT DOCUMENTS

CN	202313585	U	7/2012	A61B 17/28
CN	203156607	U	8/2013	B25B 9/00
CN	203915035	U	11/2014	A61B 17/42
RU	102014018015	A1 *	6/2016	A61B 17/0482

OTHER PUBLICATIONS

Carnegie Surgical LLC, Fomon Nasal Scissors, angled, Carnegie Surgical LLC, <http://www.carnegiesurgical.com/products/general-surgery/scissors/nasal-scissors/fomon-nasal-scissors-angled.html>, 2 pages, Jun. 2015 (see section 9).

Hayden Medical Inc., OB/GYN Colposcopy Forceps and Tenacula, Hayden Medical Inc., <http://haydenmedicalinc.com/obgyn-colposcopy-forceps-and-tenacula/>, 4 pages, 2014.

Kencap Ltd., ScopieLine—Smart Gynecology Instruments, Kencap Ltd., <http://www.kencap.info/scopicline/>, 3 pages, 2012.

MedGyn Products, Inc., Atraumatic Tenaculum, MedGyn Products, Inc., <http://medgyn.com/?wpsc-product=atraumatic-tenaculum>, 2 pages, Jun. 2015 (see section 9).

Medical Supplies & Equipment Co., Braun Uterine Tenaculum Forceps, Angled Side, 9in, Medical Supplies & Equipment Co., http://surgical-instruments-supplies.medical-supplies-equipment-company.com/product/braun-uterine-tenaculum-forceps-angled-side-9in_20462.html, 1 page, Jun. 2015 (see section 9).

MPM Medical Supply, Laparoscopic 2x3 Multi Tooth Tenaculum, 10mm Diameter x36cm Length, MPM Medical Supply, <http://www.mpmmedicalsupply.com/laparoscopic-tenaculum-10mmx36cm.html>, 1 page, 2012.

Novosurgical, Bierer Tenaculum, Novosurgical, <http://novosurgical.com/bierer-tenaculum.html>, 2 pages, 2014.

Phoenix Intl Trading Inc., Veterinary-Vaginal Specual/Uterine Tenaculum Forceps, Phoenix Intl Trading Inc., <http://www.rak-phoenix.com/catalogue.php?page=155&pageN=2>, 2 pages, Jun. 2015 (see section 9).

Spartanburg Community College, Thyroid Instruments Set, A SCC Library production, <http://library.sccsc.edu/surgtech/thyroid.htm>, 2 pages, last updated Mar. 26, 2009.

Henry Schein, Inc., Angled Allis Tissue Forceps, Provet Veterinary Instrumentation, Abdominal and Thoracic Surgery, http://www.veterinary-instrumentation.com.au/?page_id=44, 1 page, Jan. 20, 2016.

Benson, "Design for an Atraumatic Single Tooth Tenaculum," Powerpoint Presentation, 17 pages, Feb. 2014.

* cited by examiner

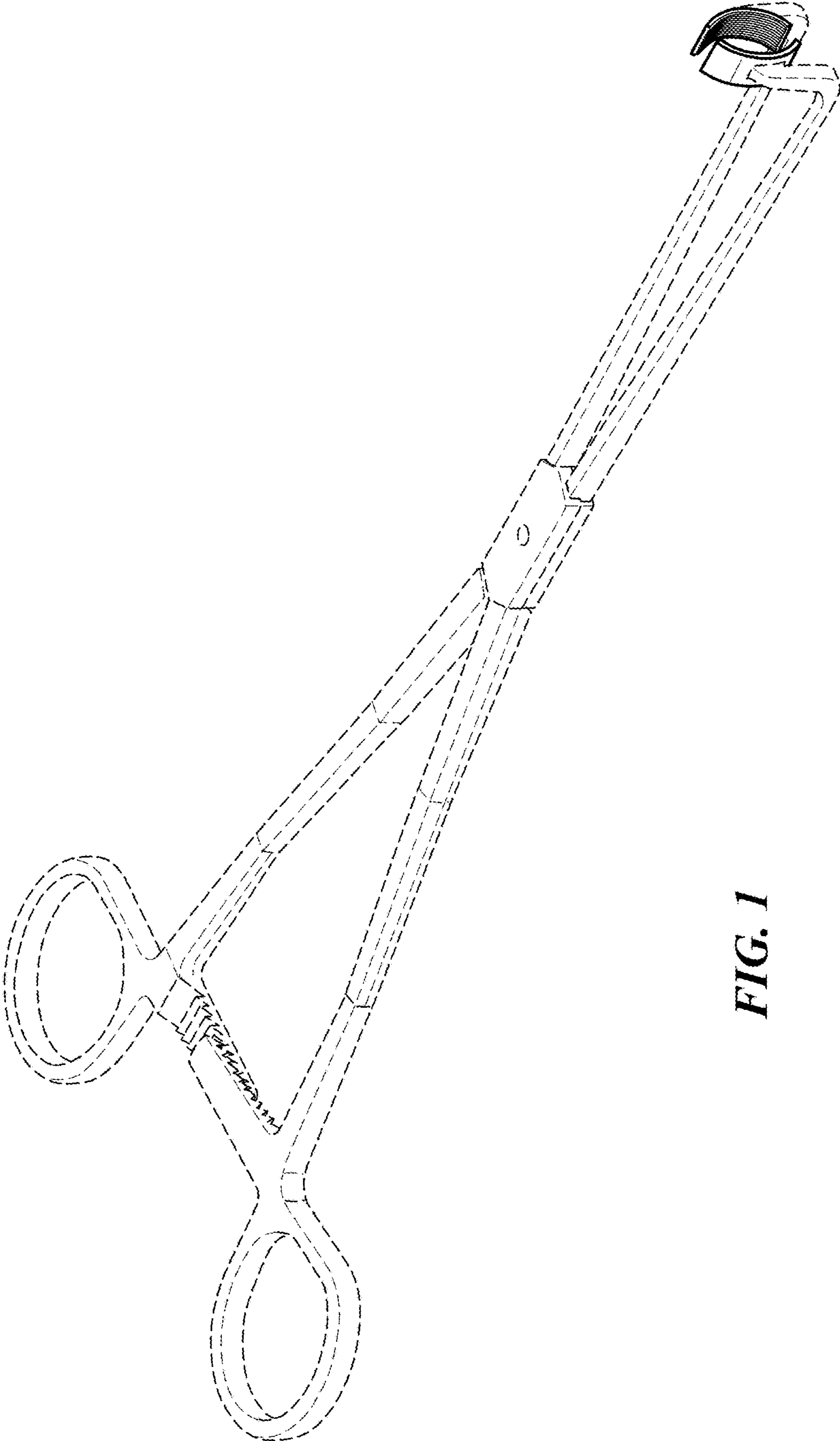


FIG. 1

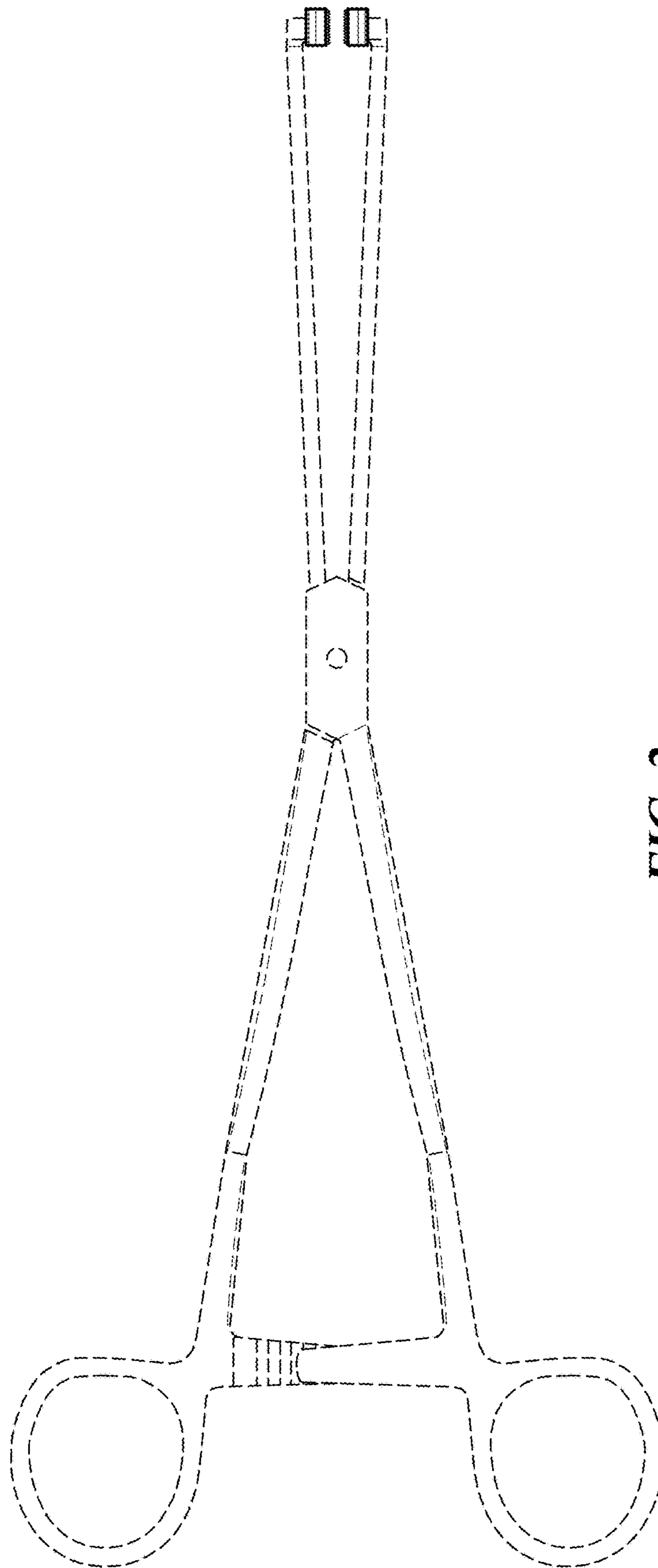


FIG. 2

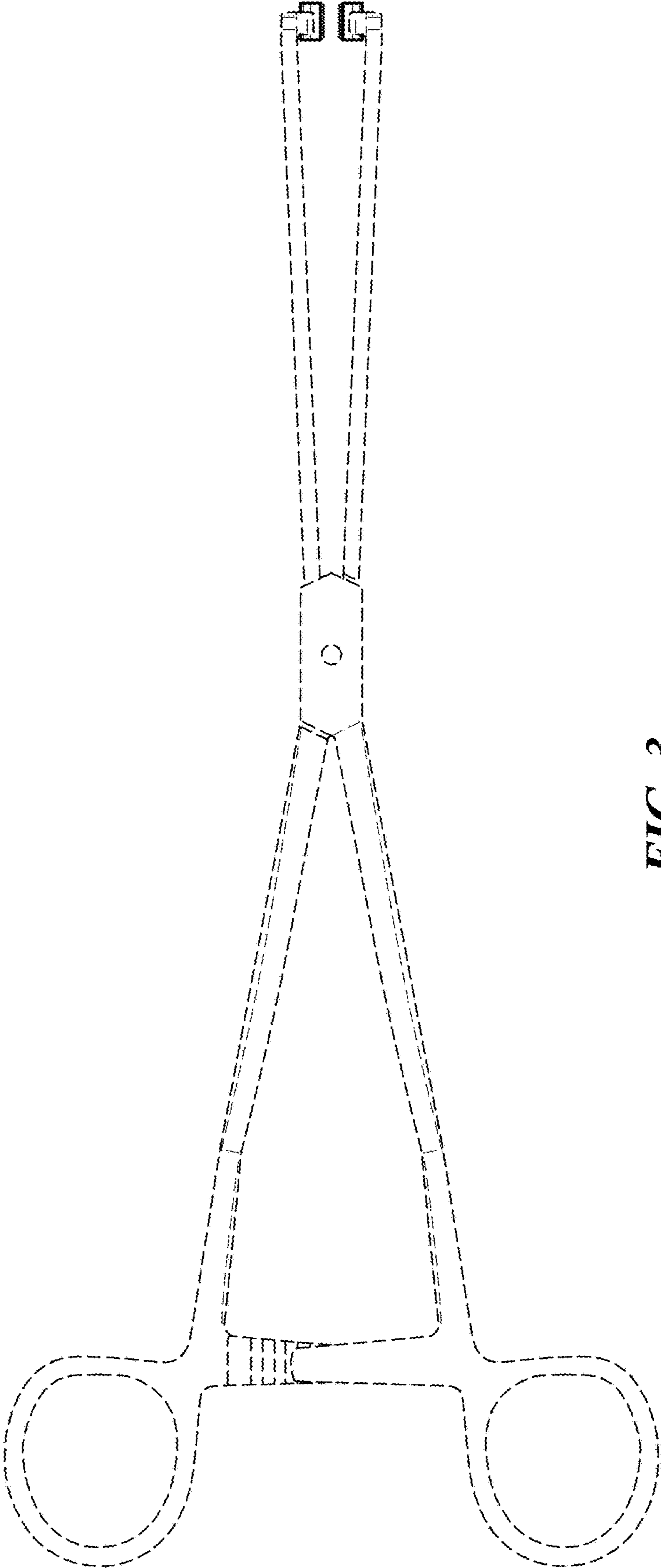


FIG. 3

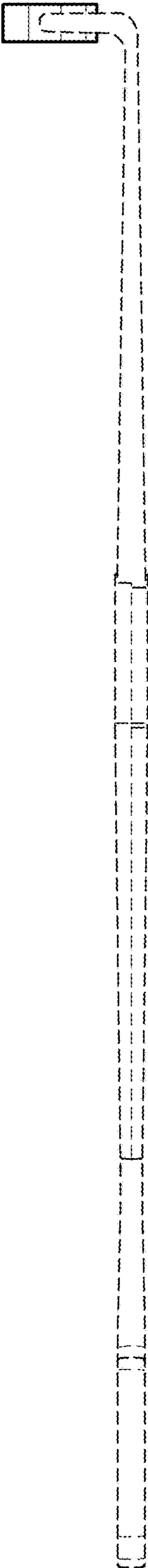


FIG. 4



FIG. 5

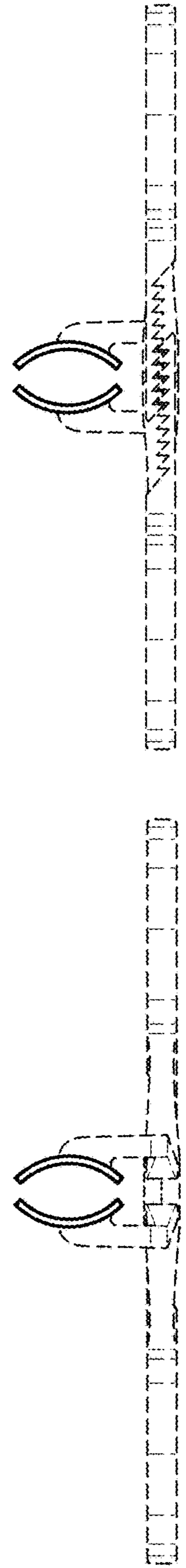


FIG. 6

FIG. 7

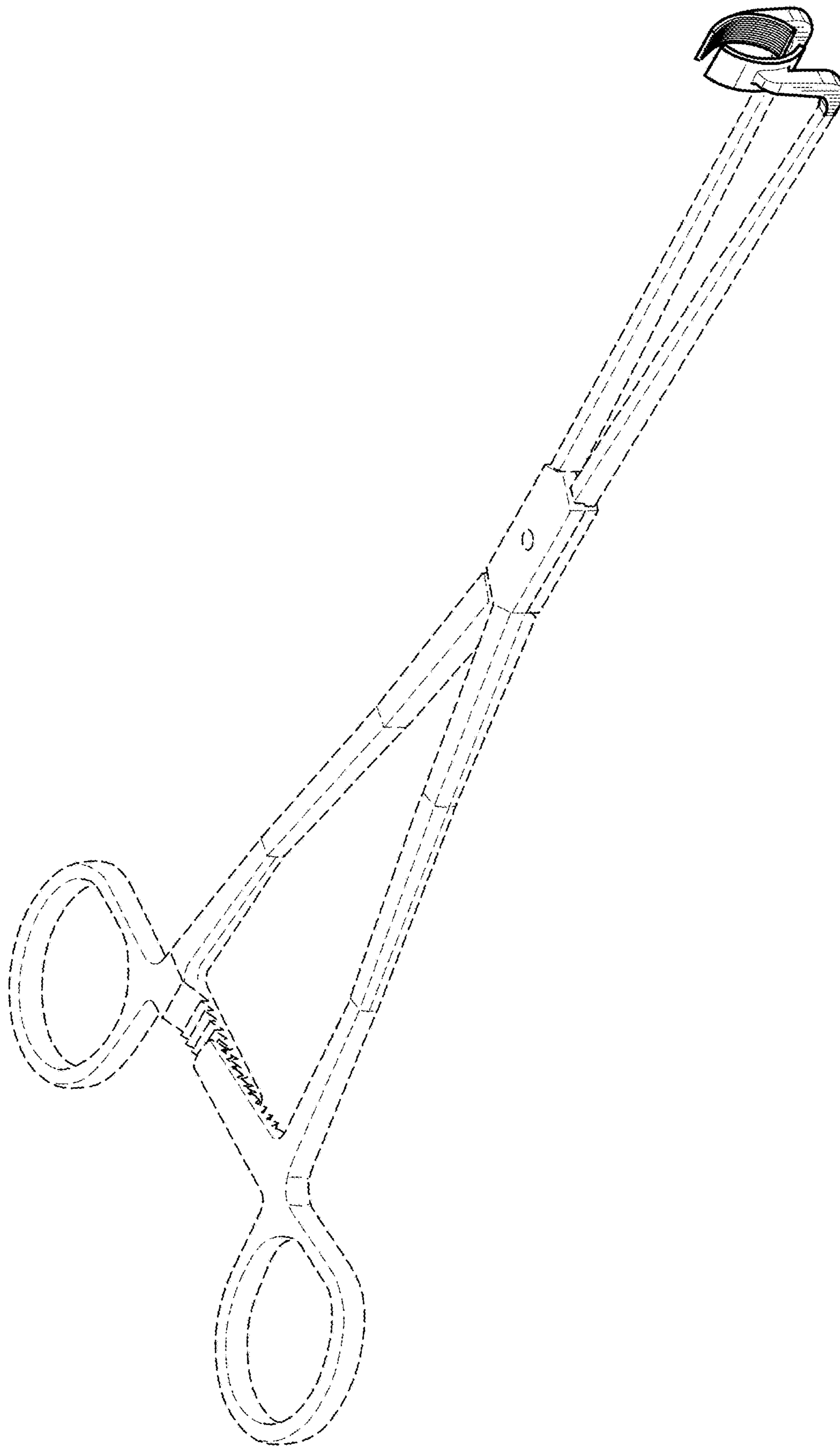


FIG. 8

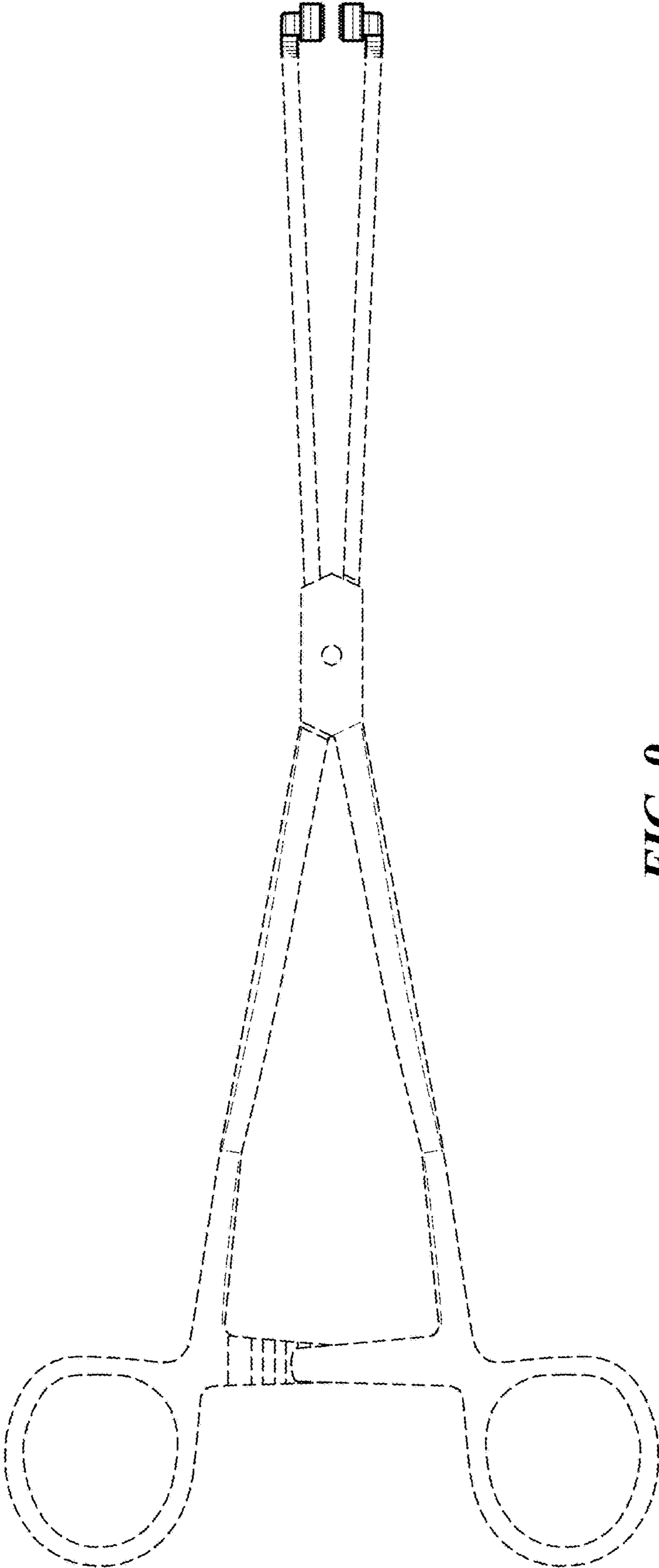


FIG. 9

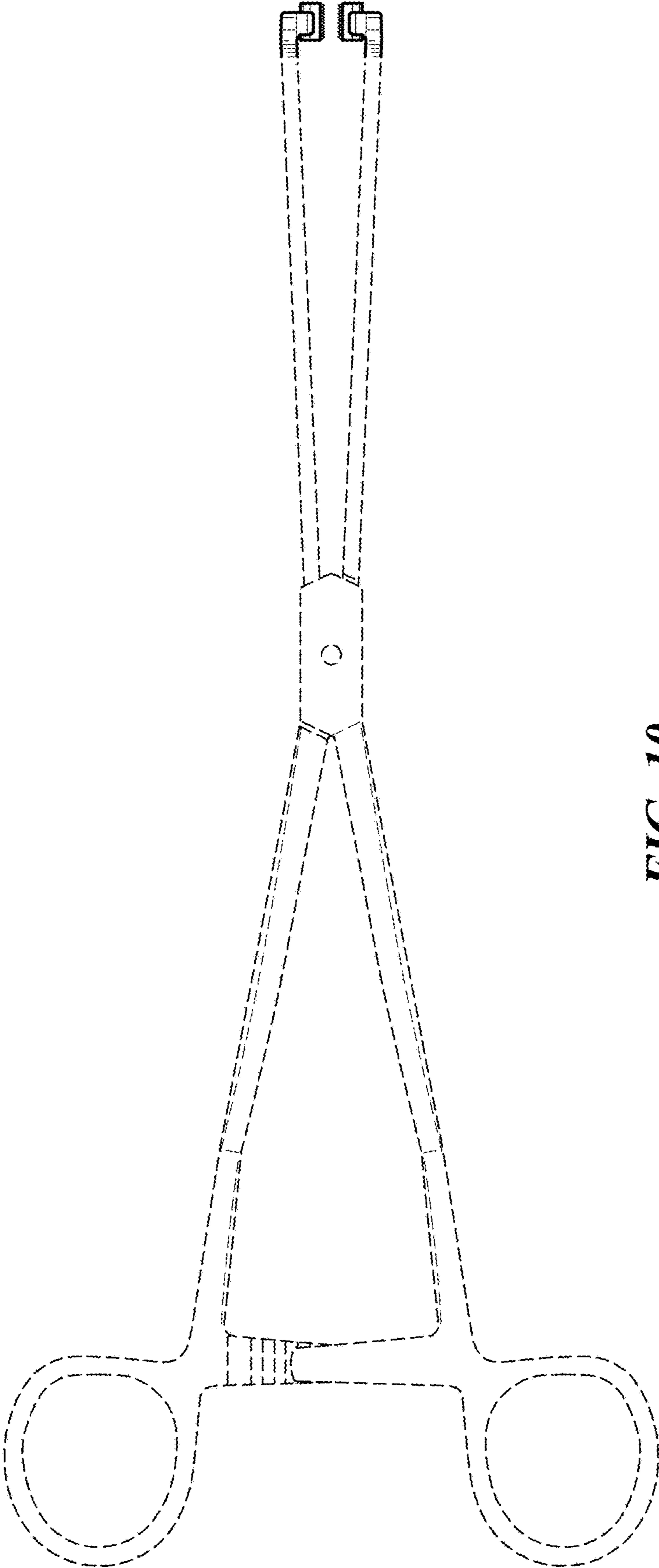


FIG. 10

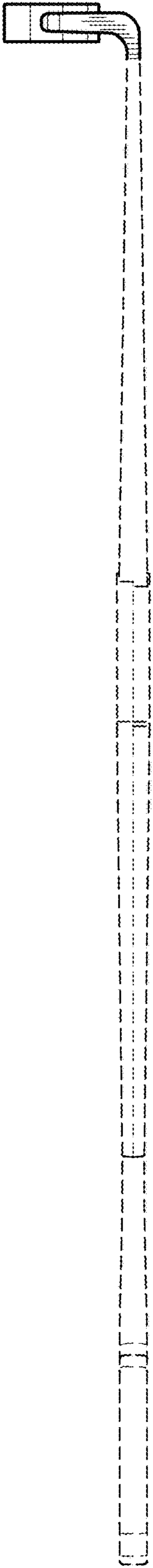


FIG. 11

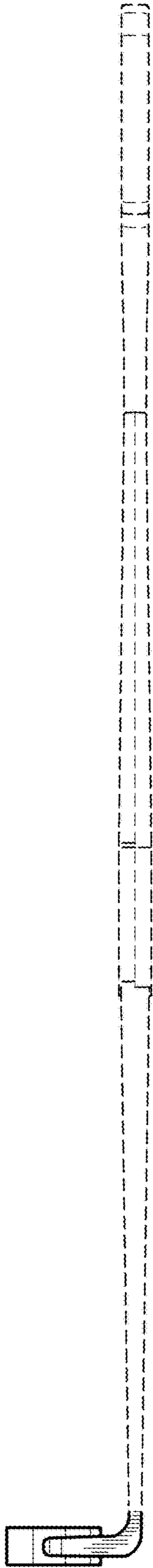


FIG. 12

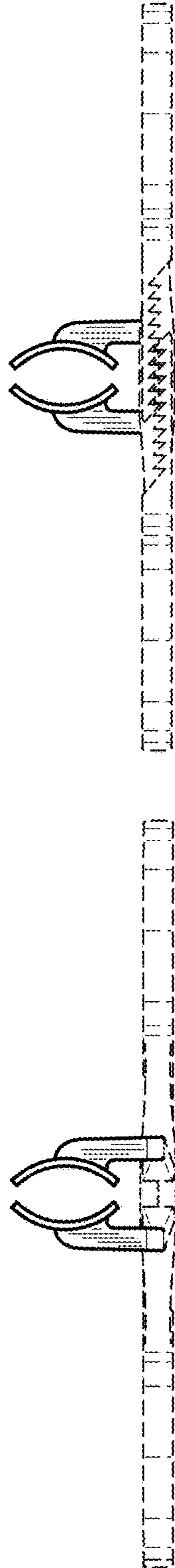


FIG. 13

FIG. 14