



US00D835268S

(12) **United States Design Patent**
Di Ubaldi et al.

(10) **Patent No.:** **US D835,268 S**
(45) **Date of Patent:** **** Dec. 4, 2018**

- (54) **SYRINGE TIP WITH INDICATOR**
- (71) Applicant: **Becton, Dickinson and Company**,
Franklin Lakes, NJ (US)
- (72) Inventors: **John Di Ubaldi**, Jackson, NJ (US);
Thirumurugan Nagu,
Ramanathapuram (IN)
- (73) Assignee: **Becton, Dickinson and Company**,
Franklin Lakes, NJ (US)
- (**) Term: **15 Years**
- (21) Appl. No.: **29/599,771**
- (22) Filed: **Apr. 6, 2017**
- (51) **LOC (11) Cl.** **24-04**
- (52) **U.S. Cl.**
USPC **D24/130**
- (58) **Field of Classification Search**
USPC D24/129, 112–114, 130, 127, 104, 133,
D24/186, 108; 606/181, 185; 604/264,
604/272, 115, 164.01–164.09, 533, 232,
604/187, 168.01, 192, 19, 48, 93.01, 523,
604/524, 526; 600/101, 139, 143;
128/200.24, 207.14, 207.15; 601/67
CPC A61J 1/2096; A61J 1/201; A61M 5/3202;
A61M 5/3213; A61M 5/344; A61M
2005/3104; A61M 2005/3106; A61M
2005/3109
See application file for complete search history.

(56) **References Cited**

U.S. PATENT DOCUMENTS

- D327,318 S * 6/1992 Dudar D24/112
- D395,502 S * 6/1998 Deily D24/112
- 5,858,008 A * 1/1999 Capaccio A61J 1/2096
604/192
- 5,865,818 A * 2/1999 Gould A61M 5/178
604/187

- 6,017,331 A * 1/2000 Watts A61M 5/24
604/201
 - 6,494,865 B1 * 12/2002 Alchas A61M 5/46
604/192
 - 6,508,807 B1 * 1/2003 Peters A61M 39/1011
604/533
 - 6,511,472 B1 * 1/2003 Hayman A61M 25/0097
604/533
 - D471,272 S * 3/2003 Douglas D24/108
 - D474,839 S * 5/2003 Francavilla D24/129
 - D484,241 S * 12/2003 Peters D24/108
- (Continued)

FOREIGN PATENT DOCUMENTS

WO 2004037335 A1 5/2004

OTHER PUBLICATIONS

Non-Final Office Action in U.S. Appl. No. 29/599,772 dated Feb. 8, 2018, 15 pages.

(Continued)

Primary Examiner — David Muller
Assistant Examiner — Nathan Johnston
(74) *Attorney, Agent, or Firm* — Servilla Whitney LLC

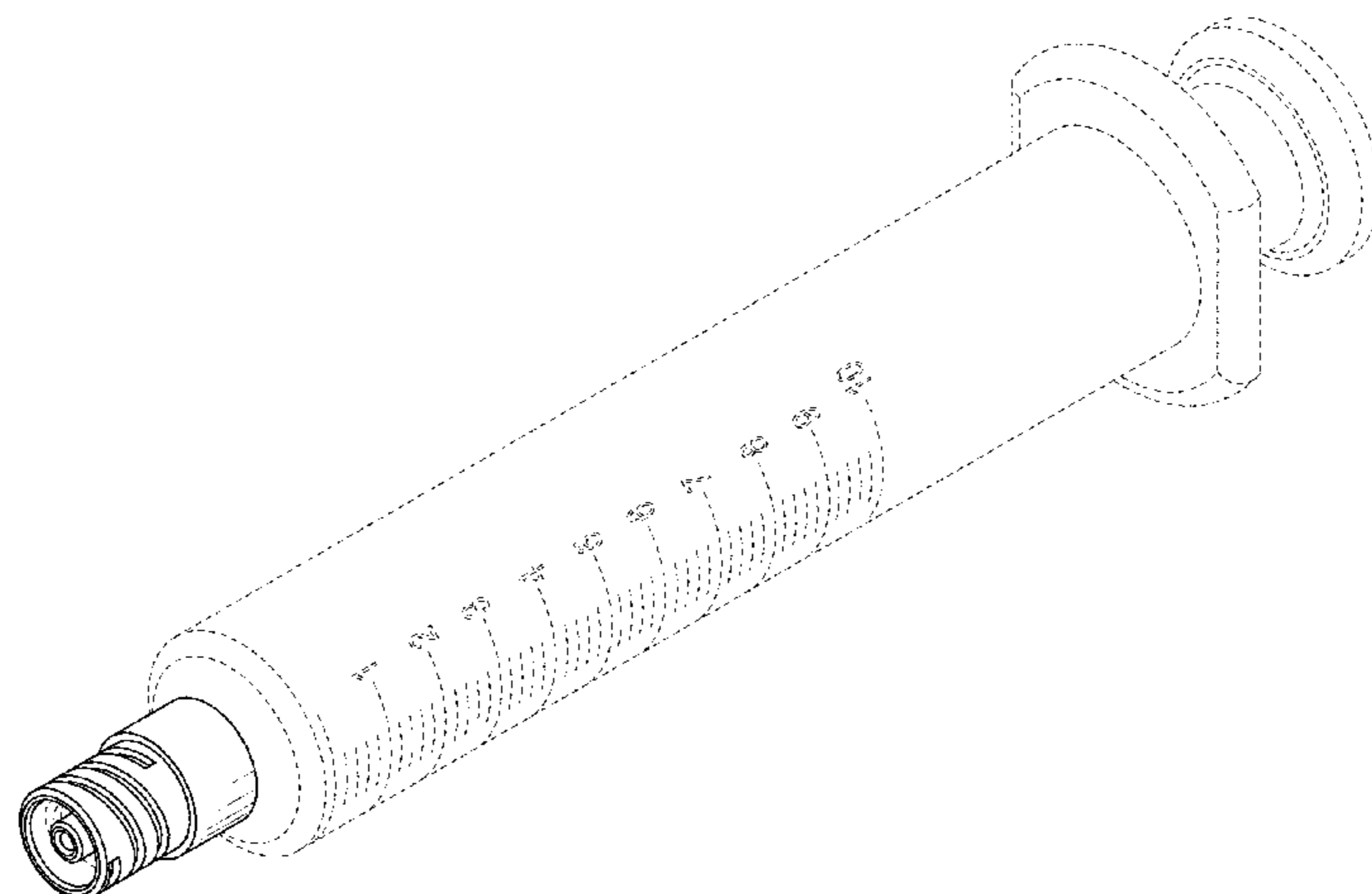
(57) **CLAIM**

The ornamental designs for a syringe tip with indicator, substantially as shown and described.

DESCRIPTION

FIG. 1 is a perspective view of a syringe tip with indicator showing our new design in an environment in which it may be used;
FIG. 2 is a side elevation view thereof;
FIG. 3 is a side elevation view thereof;
FIG. 4 is a top plan view thereof; and,
FIG. 5 is a bottom plan view thereof.
Portions shown in broken lines represent unclaimed portions of the claimed design.

1 Claim, 3 Drawing Sheets



(56)

References Cited

U.S. PATENT DOCUMENTS

6,702,789 B1 * 3/2004 Owens A61M 25/0111
128/200.16
6,722,705 B2 * 4/2004 Korkor A61M 39/1011
285/148.6
D493,526 S 7/2004 Hwang
D586,472 S * 2/2009 Harold D24/224
D591,438 S 4/2009 Hama
D654,166 S * 2/2012 Lair D24/129
D668,760 S * 10/2012 Kawamura D24/130
8,652,094 B2 2/2014 David et al.
8,672,883 B2 3/2014 Denning et al.
8,814,849 B1 * 8/2014 Winsor A61M 39/24
604/284
D714,935 S * 10/2014 Nishioka D24/130
8,968,271 B2 * 3/2015 Guala A61M 39/10
604/533
D731,647 S * 6/2015 Nishioka D24/130
D736,914 S * 8/2015 Schultz D24/129
D736,915 S * 8/2015 Schultz D24/129
D737,961 S 9/2015 Schultz
D737,962 S * 9/2015 Schultz D24/129
D740,412 S * 10/2015 Strong D24/130
D750,775 S * 3/2016 Carrel D24/130
D751,699 S * 3/2016 Mills D24/127
9,433,768 B2 9/2016 Tekeste et al.
D782,654 S 3/2017 Booth
D785,781 S * 5/2017 Chan D24/112
D799,032 S * 10/2017 Becker D24/129

2002/0115984 A1 * 8/2002 Guala A61M 39/1011
604/533
2002/0133124 A1 * 9/2002 Leinsing A61M 39/26
604/256
2002/0143297 A1 * 10/2002 Francavilla A61M 5/344
604/187
2005/0124970 A1 * 6/2005 Kunin A61M 39/162
604/508
2007/0010796 A1 * 1/2007 Moran A61M 39/0693
604/523
2007/0066965 A1 * 3/2007 Coombs A61M 39/26
604/533
2009/0099552 A1 4/2009 Levy et al.
2010/0249650 A1 * 9/2010 Hikawa A61L 35/15002
600/573
2012/0175806 A1 7/2012 Delano
2014/0276215 A1 * 9/2014 Nelson A61M 39/225
600/573
2014/0276649 A1 * 9/2014 Ivosevic A61J 1/2096
604/533
2016/0175201 A1 * 6/2016 Schuessler A61J 15/0092
604/516
2016/0250415 A1 * 9/2016 Yagi A61M 39/1011
604/187
2016/0339184 A1 11/2016 Tekeste et al.

OTHER PUBLICATIONS

PCT International Search Report and Written Opinion in PCT/
US2018/026249 dated Jul. 25, 2018, 14 pages.

* cited by examiner

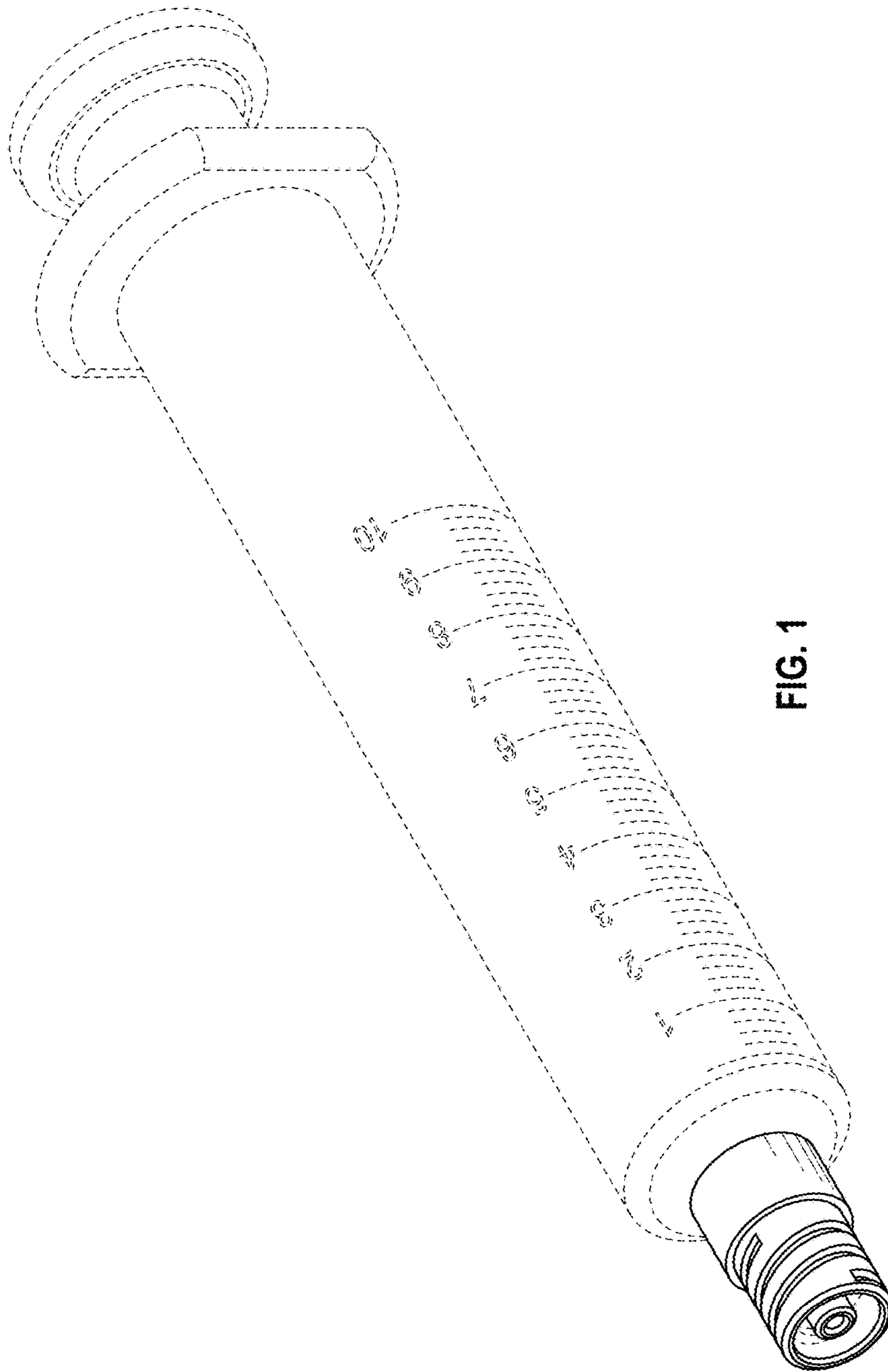


FIG. 1

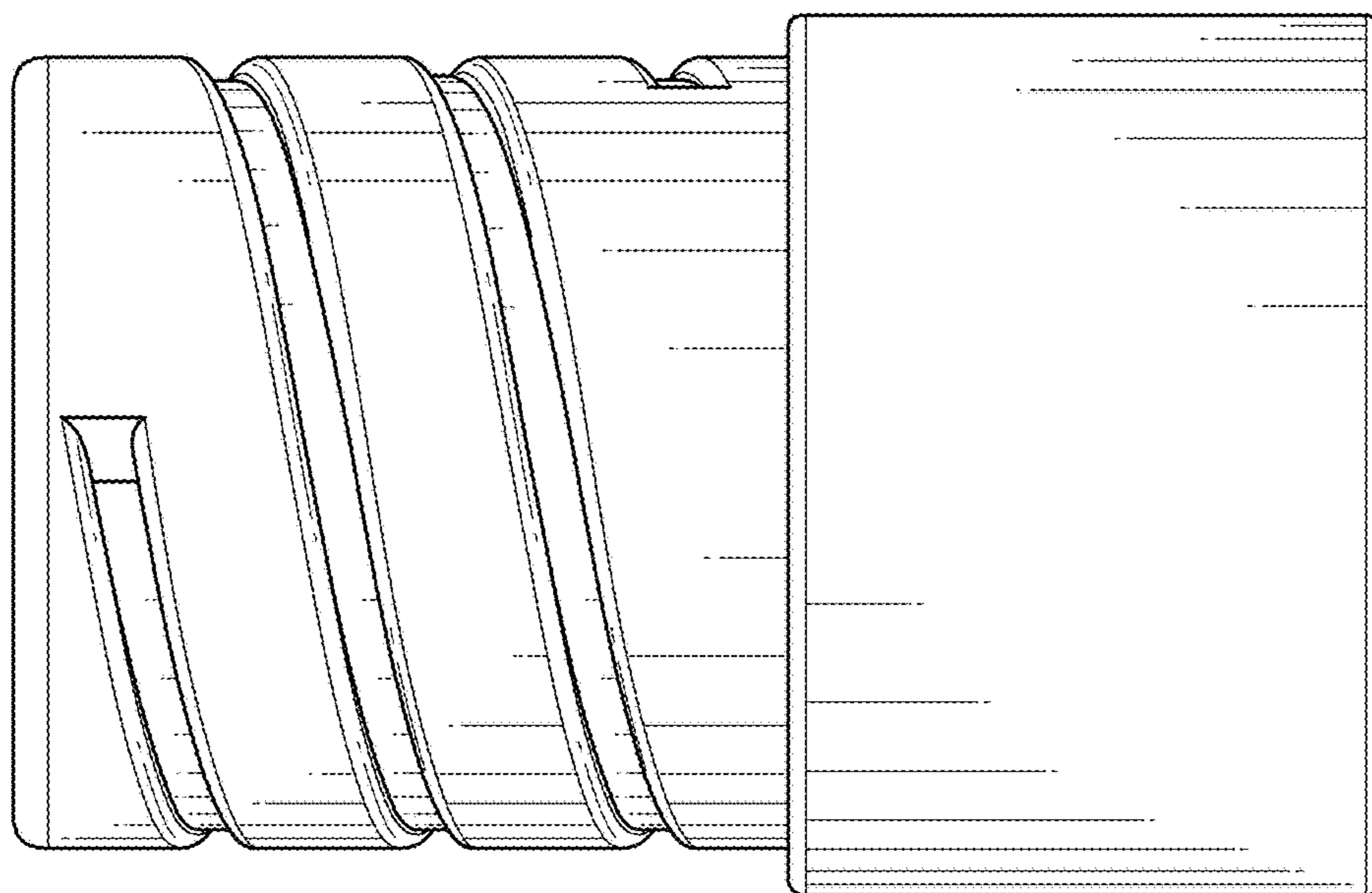


FIG. 2

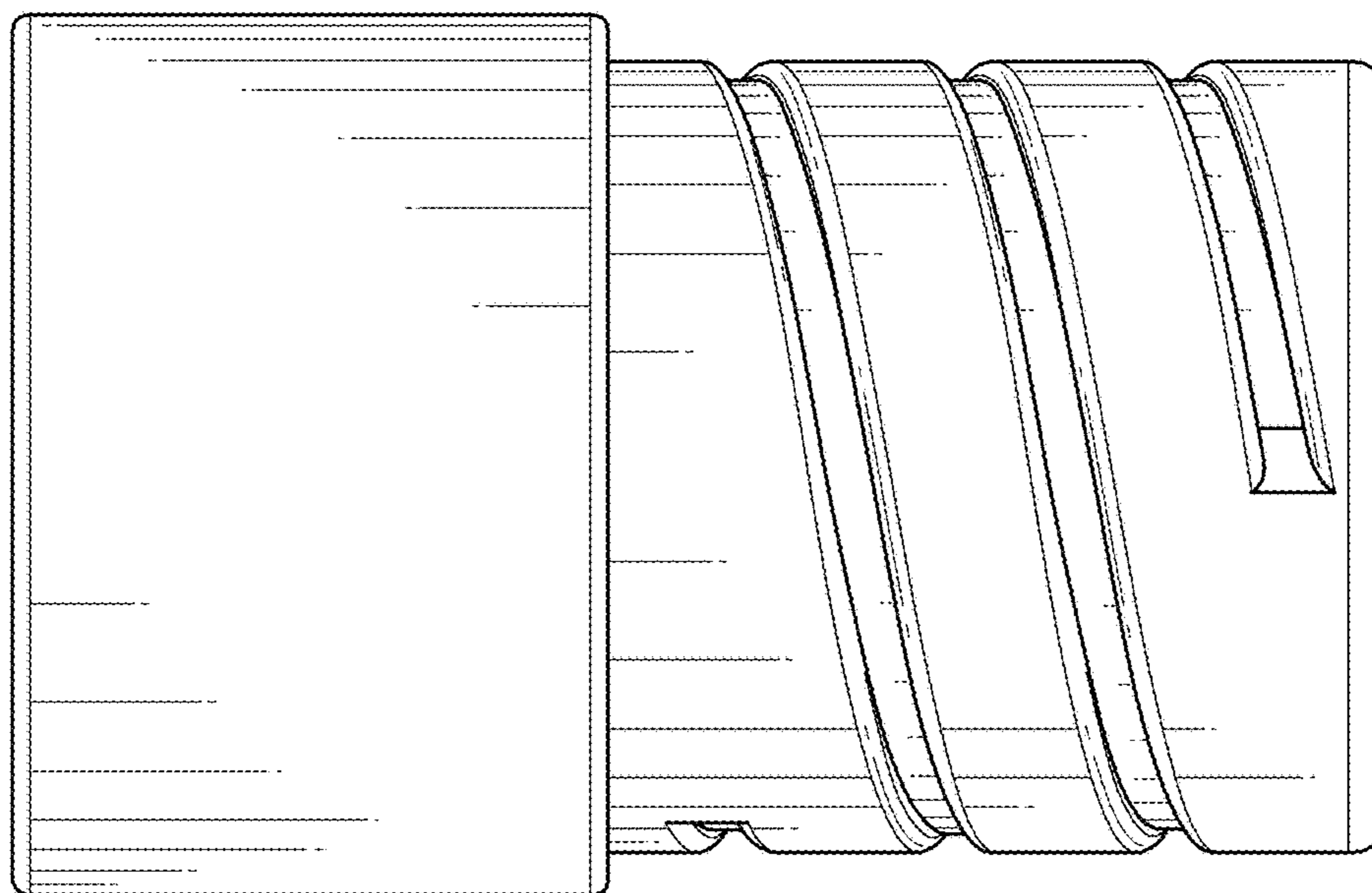


FIG. 3

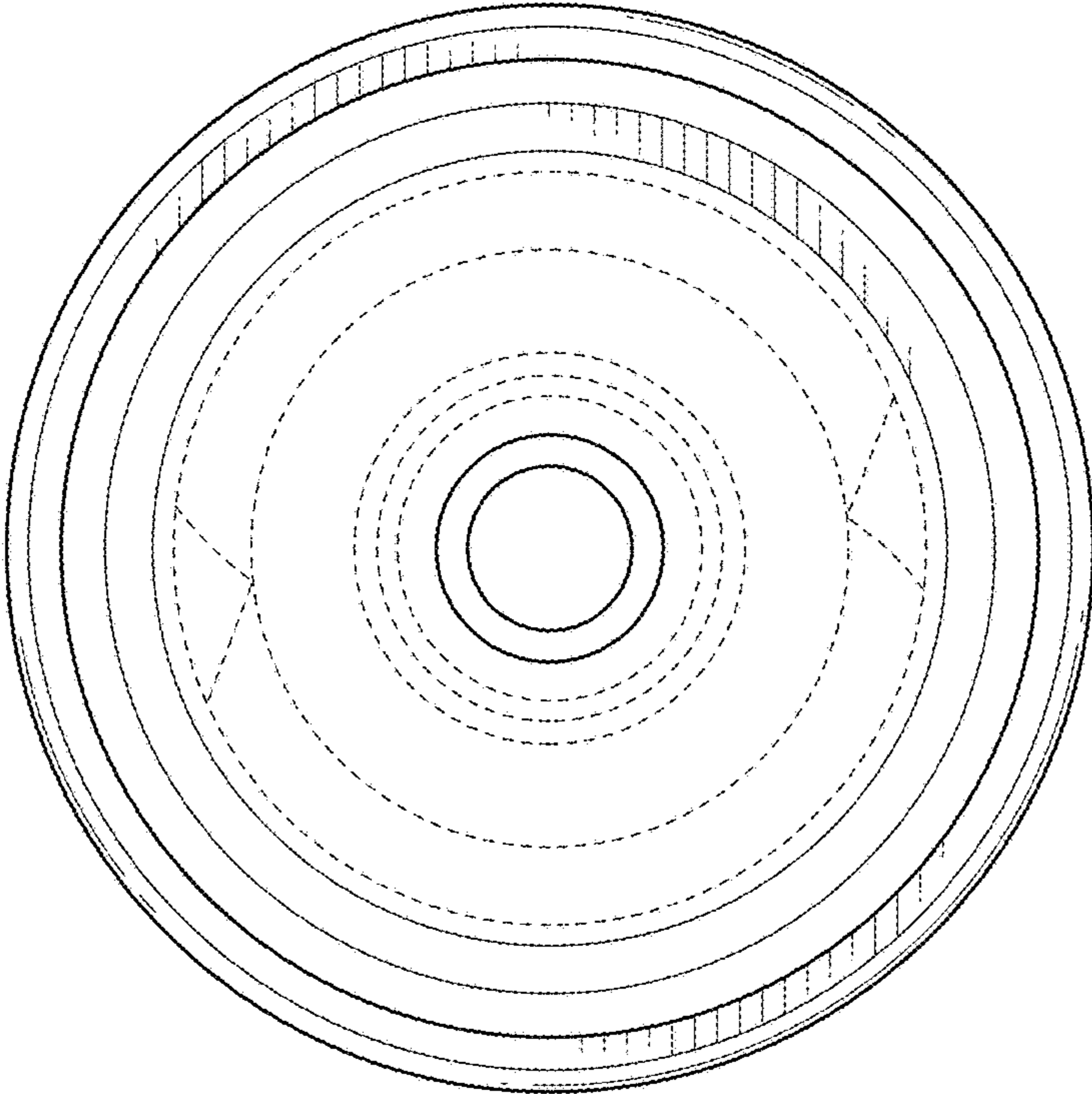


FIG. 4

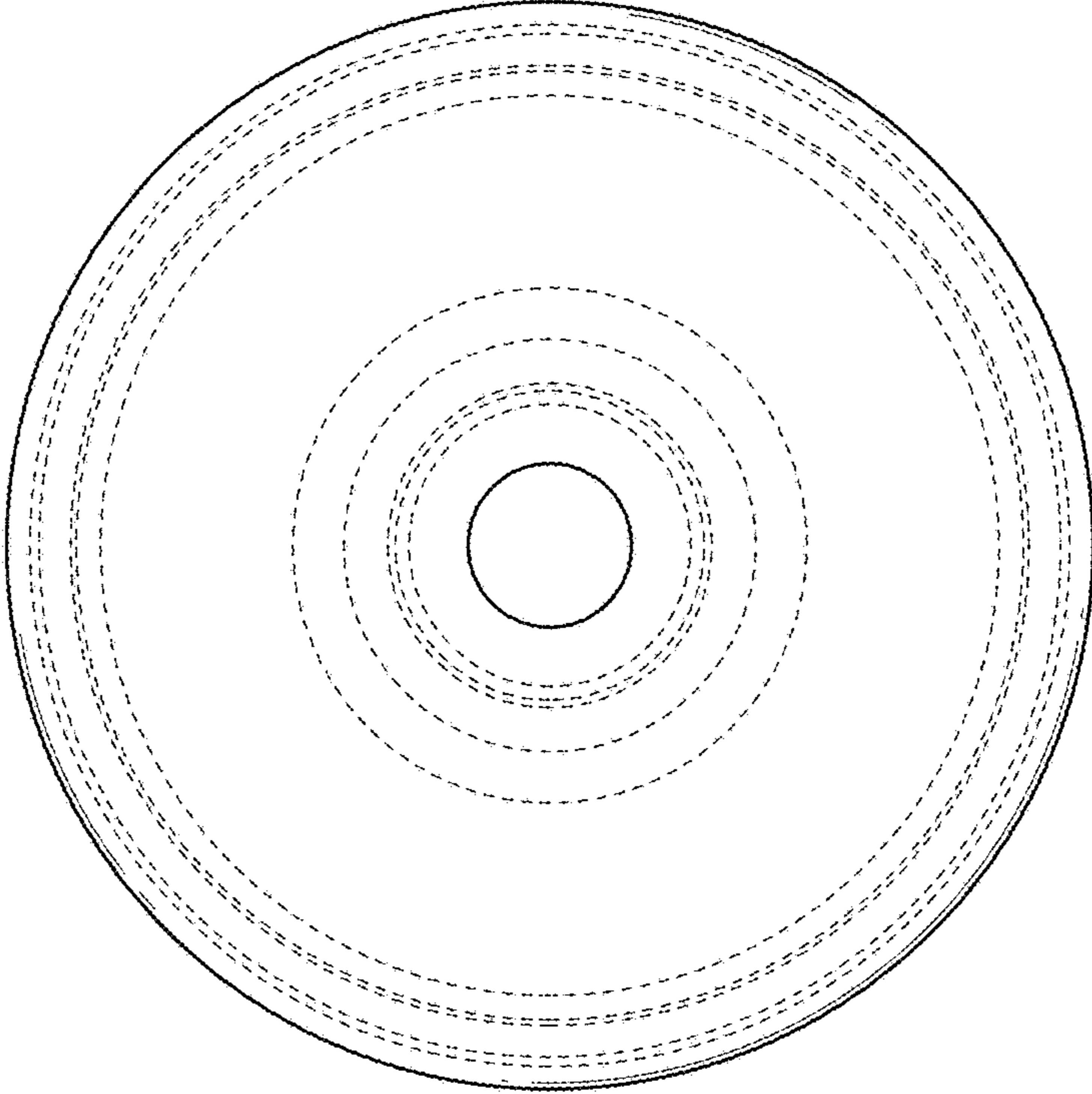


FIG. 5