



US00D835267S

(12) **United States Design Patent** (10) **Patent No.:** **US D835,267 S**
Gilbert et al. (45) **Date of Patent:** **** Dec. 4, 2018**

(54) **TUBING CONNECTOR FOR A BREASTMILK SYSTEM**

(71) Applicant: **MEDELA HOLDING AG**, Baar (CH)

(72) Inventors: **Deanna Gilbert**, Arlington Heights, IL (US); **Kathryn Mizuchi**, Round Lake Beach, IL (US); **David Cho**, Arlington Heights, IL (US); **Federico Ferretti**, Cesena (IT); **Emanuele Teobaldo**, Milan (IT); **Elisa Cucchetto**, Milan (IT); **Jennifer Ashman-Stauss**, Cincinnati, OH (US)

(73) Assignee: **MEDELA HOLDING AG**, Baar (CH)

(**) Term: **15 Years**

(21) Appl. No.: **29/611,222**

(22) Filed: **Jul. 19, 2017**

Related U.S. Application Data

(62) Division of application No. 29/523,644, filed on Apr. 13, 2015, now Pat. No. Des. 796,034.

(51) **LOC (11) Cl.** **24-02**

(52) **U.S. Cl.**
USPC **D24/129**

(58) **Field of Classification Search**

USPC D24/127-131, 112-114, 133, 186; 606/181, 185; 604/264, 523-528, 272, 604/187, 158, 164.01-164.11, 181, 184, 604/227; 600/101, 139, 143; 128/200.24, 207.14, 207.15
CPC .. A61M 25/065; A61M 5/42; A61M 25/0612; A61M 25/00; A61M 39/00; A61M 27/00; A61M 25/0043; A61M 25/0067; A61M 25/0097; A61F 2/958

See application file for complete search history.

(56) **References Cited**

U.S. PATENT DOCUMENTS

D369,409	S *	4/1996	Salter	D24/129
D397,784	S *	9/1998	Piontek	D24/108
D423,670	S *	4/2000	Scheuble	D24/130
6,260,890	B1 *	7/2001	Mason	F16L 19/065 285/332
6,543,138	B1 *	4/2003	Berry	A61M 39/1011 285/242
D483,869	S *	12/2003	Tran	D24/129
7,150,370	B2	12/2006	Pyun	
D549,822	S *	8/2007	Santora, Jr.	D24/129
D551,344	S *	9/2007	Santora, Jr.	D24/129
D607,999	S *	1/2010	Holmes	D24/130
D661,391	S *	6/2012	McLain	D24/133
8,192,396	B2	6/2012	Annis et al.	

(Continued)

Primary Examiner — David G Muller

(74) *Attorney, Agent, or Firm* — Marshall, Gerstein & Borun LLP

(57) **CLAIM**

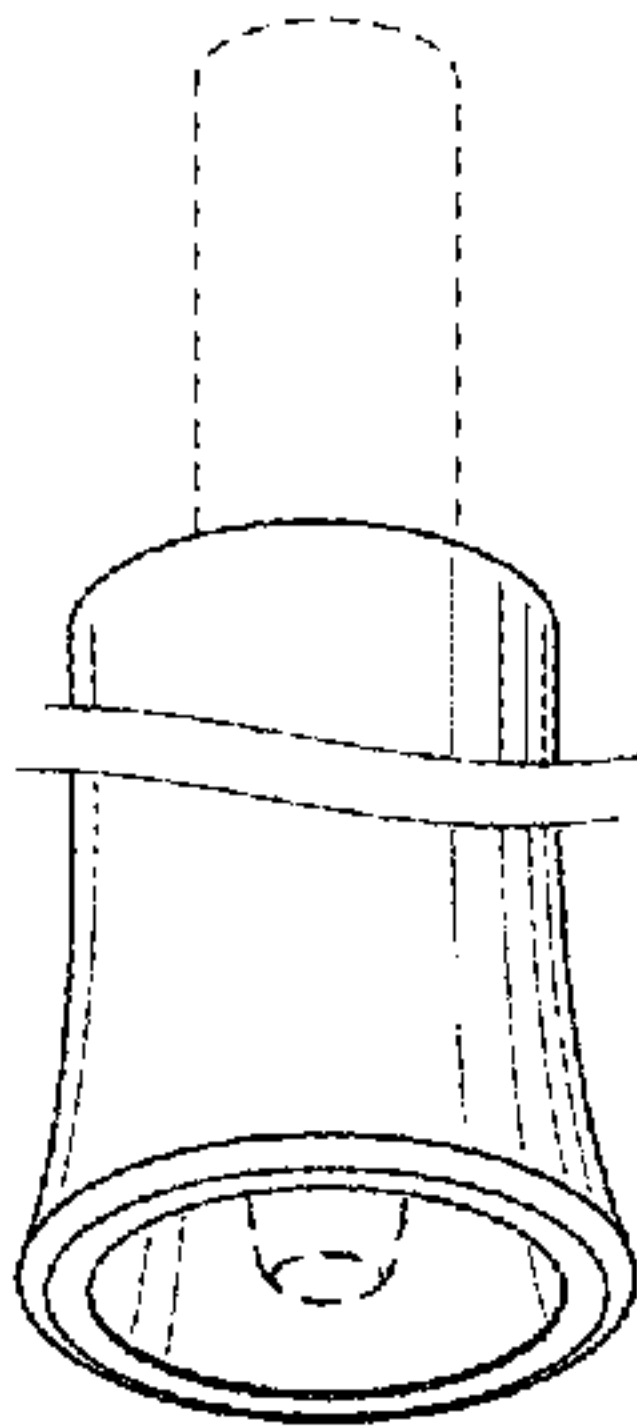
The ornamental design for a tubing connector for a breastmilk system, as shown and described.

DESCRIPTION

FIG. 1 is a perspective view of a tubing connector for a breastmilk system in accordance with the present invention; FIG. 2 is a top view thereof; FIG. 3 is a front view thereof, the rear view being a mirror image; and, FIG. 4 is a bottom view.

The broken lines in the drawing figures form no part of the claimed design. The tubing connector is shown with a symbolic break in its length. The appearance of any portion of the article between the break lines forms no part of the claimed design.

1 Claim, 1 Drawing Sheet



(56)

References Cited

U.S. PATENT DOCUMENTS

D709,187 S * 7/2014 Li A61M 39/00
D24/129
D719,258 S * 12/2014 Li D24/129
D785,170 S * 4/2017 Swisher D24/129
2010/0289259 A1 11/2010 Luzbetak et al.

* cited by examiner

Fig. 1

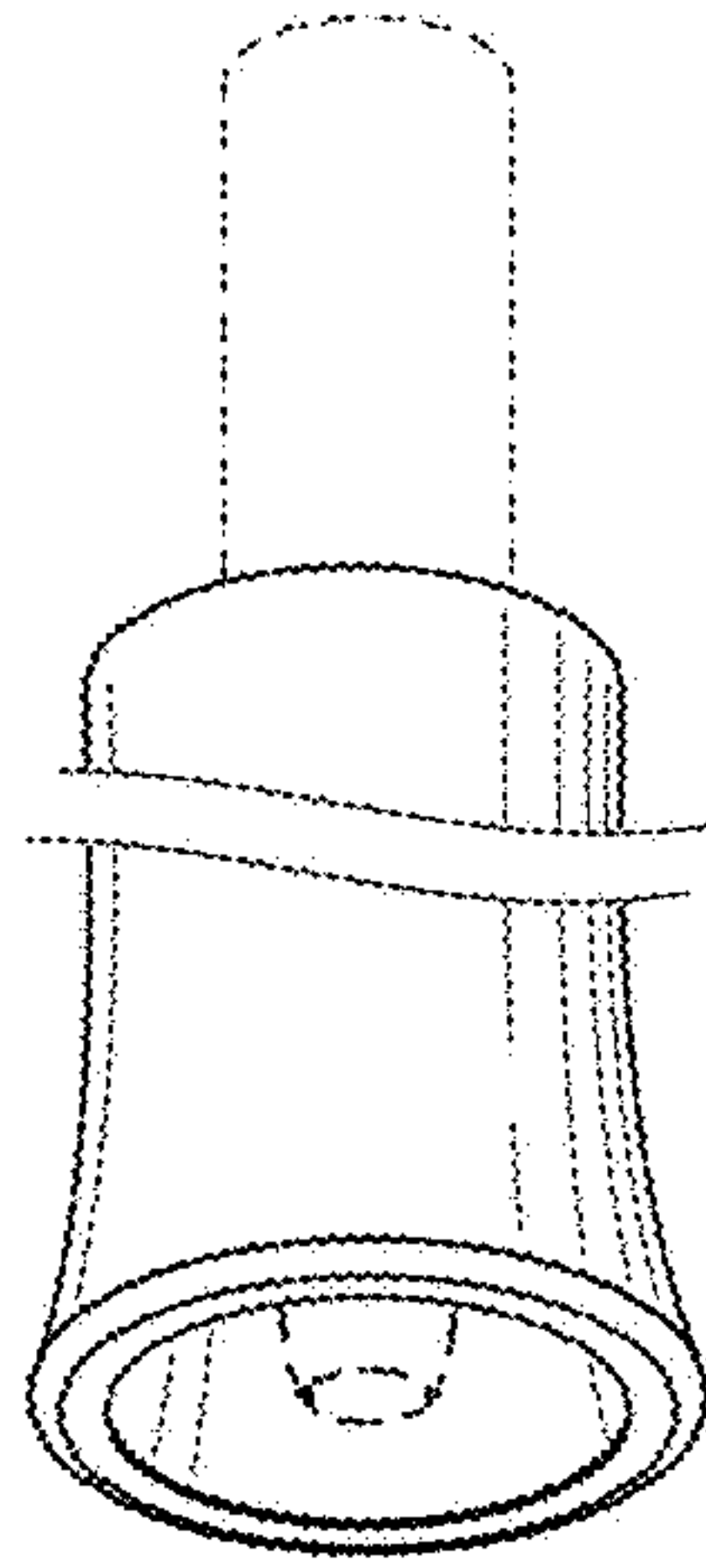


Fig. 2

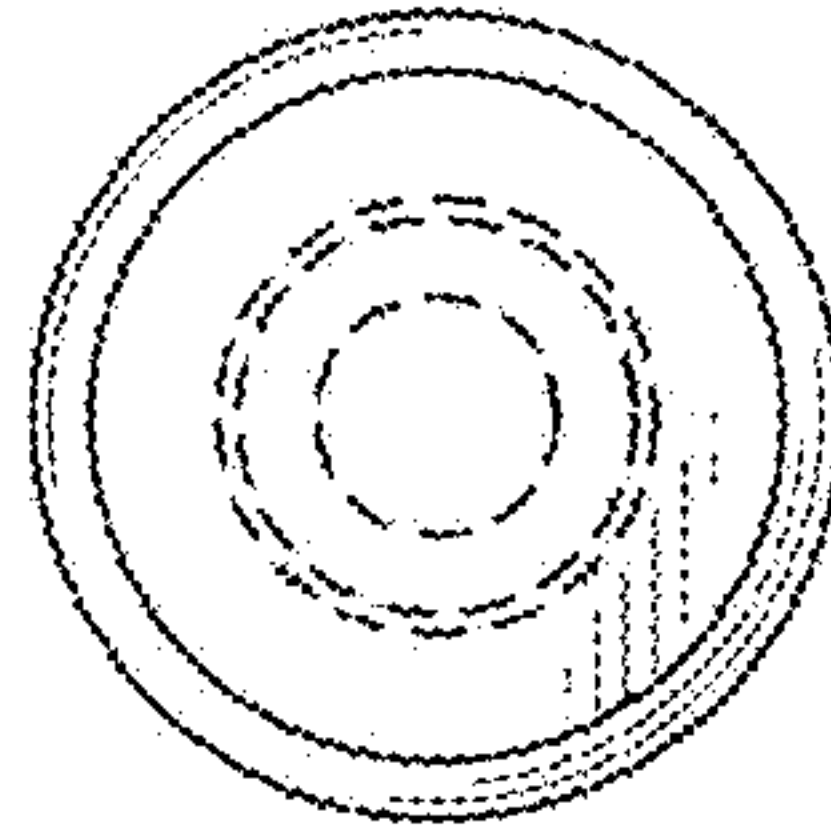


Fig. 3

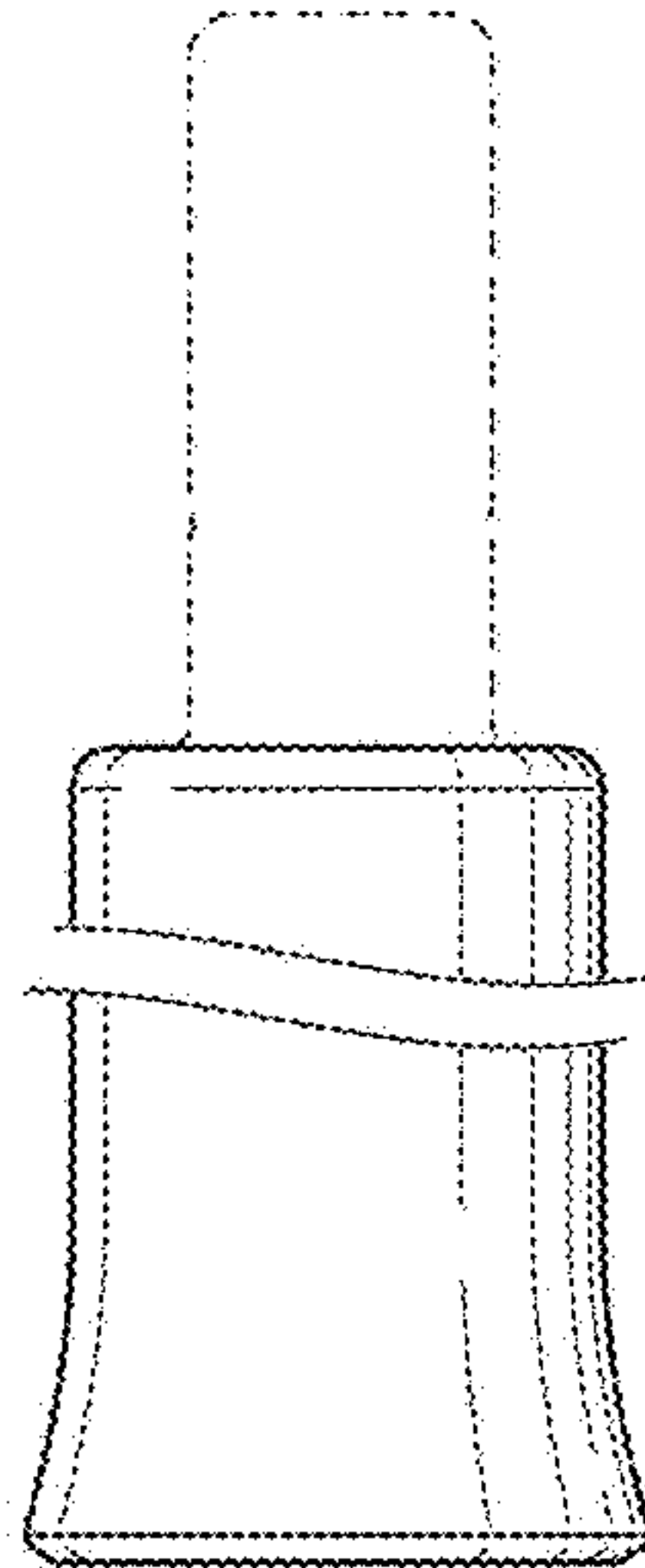


Fig. 4

