

US00D835266S

(12) **United States Design Patent** (10) **Patent No.:** **US D835,266 S**
Maurice (45) **Date of Patent:** **** Dec. 4, 2018**

(54) **ENDOSCOPE CONNECTOR**
(71) Applicant: **ERBE-USA, Inc.**, Marietta, GA (US)
(72) Inventor: **Daniel G. Maurice**, Monument Beach, MA (US)
(73) Assignee: **ERBE-USA, Inc.**, Marietta, GA (US)
(**) Term: **15 Years**
(21) Appl. No.: **29/605,341**
(22) Filed: **May 25, 2017**

D472,630 S * 4/2003 Douglas D24/108
D496,998 S * 10/2004 Pajunk D24/129
D612,496 S 3/2010 Bennison
D613,403 S 4/2010 Poll et al.
D624,181 S 9/2010 Harata et al.
D636,079 S 4/2011 Leybold et al.
D652,923 S 1/2012 Kennedy et al.
D657,870 S 4/2012 Becker
8,152,790 B2 4/2012 Lopez et al.
8,206,375 B2 6/2012 Snow
D676,544 S * 2/2013 Blocher D24/108
D678,521 S 3/2013 Mort et al.
D693,465 S 11/2013 Koehler et al.
D712,014 S 8/2014 Guest
D717,432 S 11/2014 Leroy et al.
D719,650 S 12/2014 Arinobe et al.
D732,664 S 6/2015 Woehr et al.
D739,527 S * 9/2015 Chauvette D24/129

(Continued)

Related U.S. Application Data

(62) Division of application No. 29/548,911, filed on Dec. 17, 2015, now Pat. No. Des. 791,940, which is a division of application No. 29/485,448, filed on Mar. 19, 2014, now Pat. No. Des. 750,235.

(51) **LOC (11) Cl.** **24-02**
(52) **U.S. Cl.**
USPC **D24/129**

(58) **Field of Classification Search**
USPC D24/127, 128, 129, 130, 131, 138;
600/101, 104, 164; 606/46; D8/16, 18,
D8/19, 20, 376, 363
CPC A61B 17/320016; A61B 17/0057
See application file for complete search history.

(56) **References Cited**

U.S. PATENT DOCUMENTS

D239,025 S 3/1976 D'Alo
D245,921 S 9/1977 Beran
D266,790 S 11/1982 McCord
D271,618 S 11/1983 Nishigaki
D300,361 S 3/1989 Tokarz
D302,729 S 8/1989 Stephens et al.
5,151,101 A 9/1992 Grossi et al.
D340,316 S * 10/1993 Zdrok D24/110.5

Primary Examiner — Garth Rademaker
Assistant Examiner — Samantha Q. Lawrence
(74) *Attorney, Agent, or Firm* — Cooley LLP

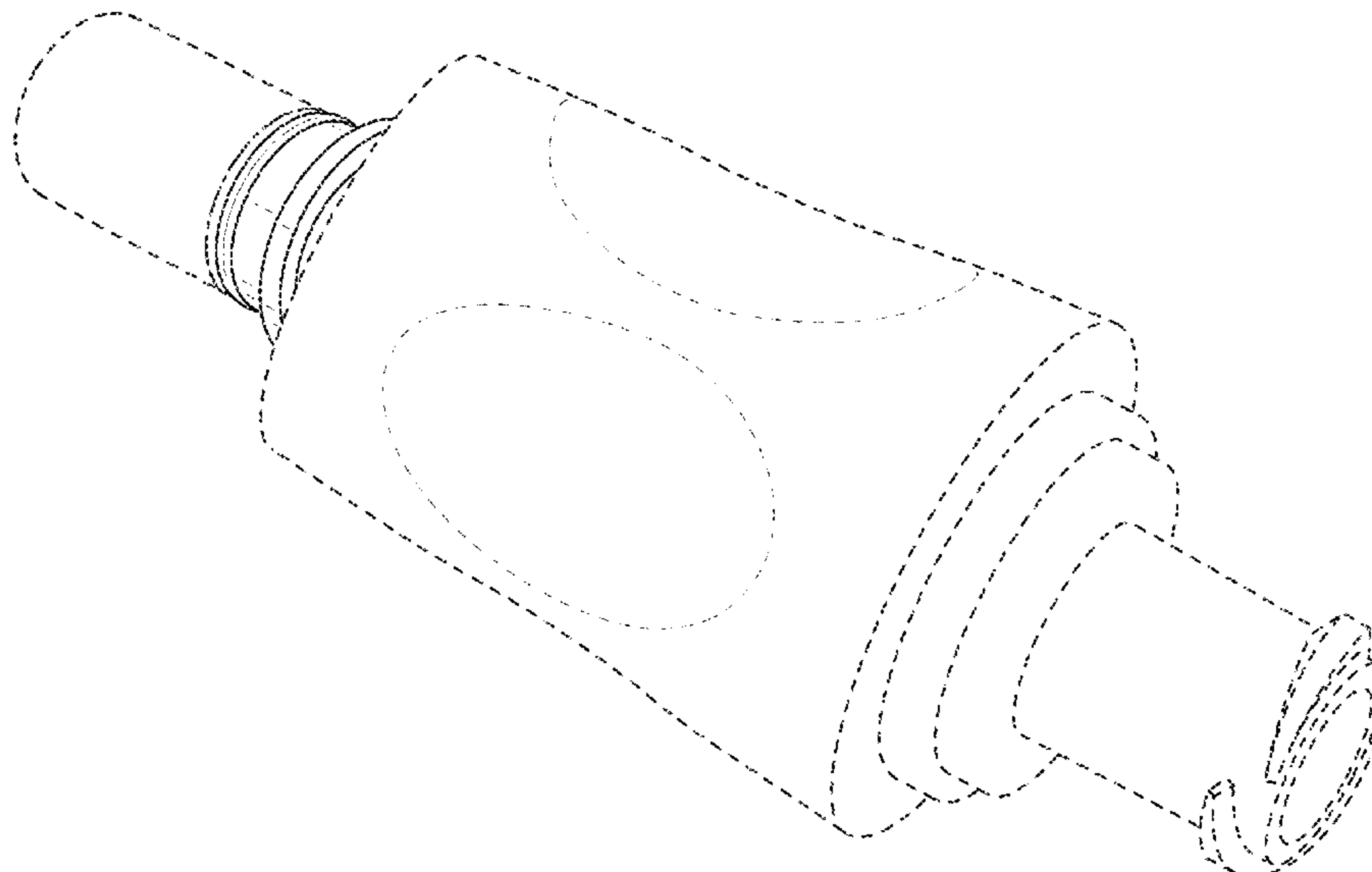
(57) **CLAIM**

The ornamental design for an endoscope connector, as shown and described.

DESCRIPTION

FIG. 1 is a perspective view of an endoscope connector; FIG. 2 is a second perspective view thereof; FIG. 3 is a front view thereof; FIG. 4 is a back view thereof; FIG. 5 is a top view thereof; FIG. 6 is a bottom view thereof; FIG. 7 is a left side view thereof; and, FIG. 8 is a right side view thereof. The broken lines shown in FIGS. 1-8 illustrate portions of the endoscope connector that form no part of the claimed design. The dash dot lines illustrate the boundary of the claimed design.

1 Claim, 7 Drawing Sheets



(56)

References Cited

U.S. PATENT DOCUMENTS

9,144,374 B2 * 9/2015 Maurice, Jr. A61B 1/00128
D749,212 S * 2/2016 Chauvette D24/129
D749,213 S * 2/2016 Chauvette D24/129
D750,235 S * 2/2016 Maurice D24/129
D750,236 S * 2/2016 Maurice D24/129
D785,790 S * 5/2017 Lewis D24/129
D791,310 S * 7/2017 Maurice D24/129
D791,940 S * 7/2017 Maurice D24/129
D793,551 S * 8/2017 Nelson D24/129
D797,927 S * 9/2017 Schuessler D24/129
D799,031 S * 10/2017 Barrett D24/129
2010/0125164 A1 5/2010 LaBombard
2012/0088974 A1 4/2012 Maurice

* cited by examiner

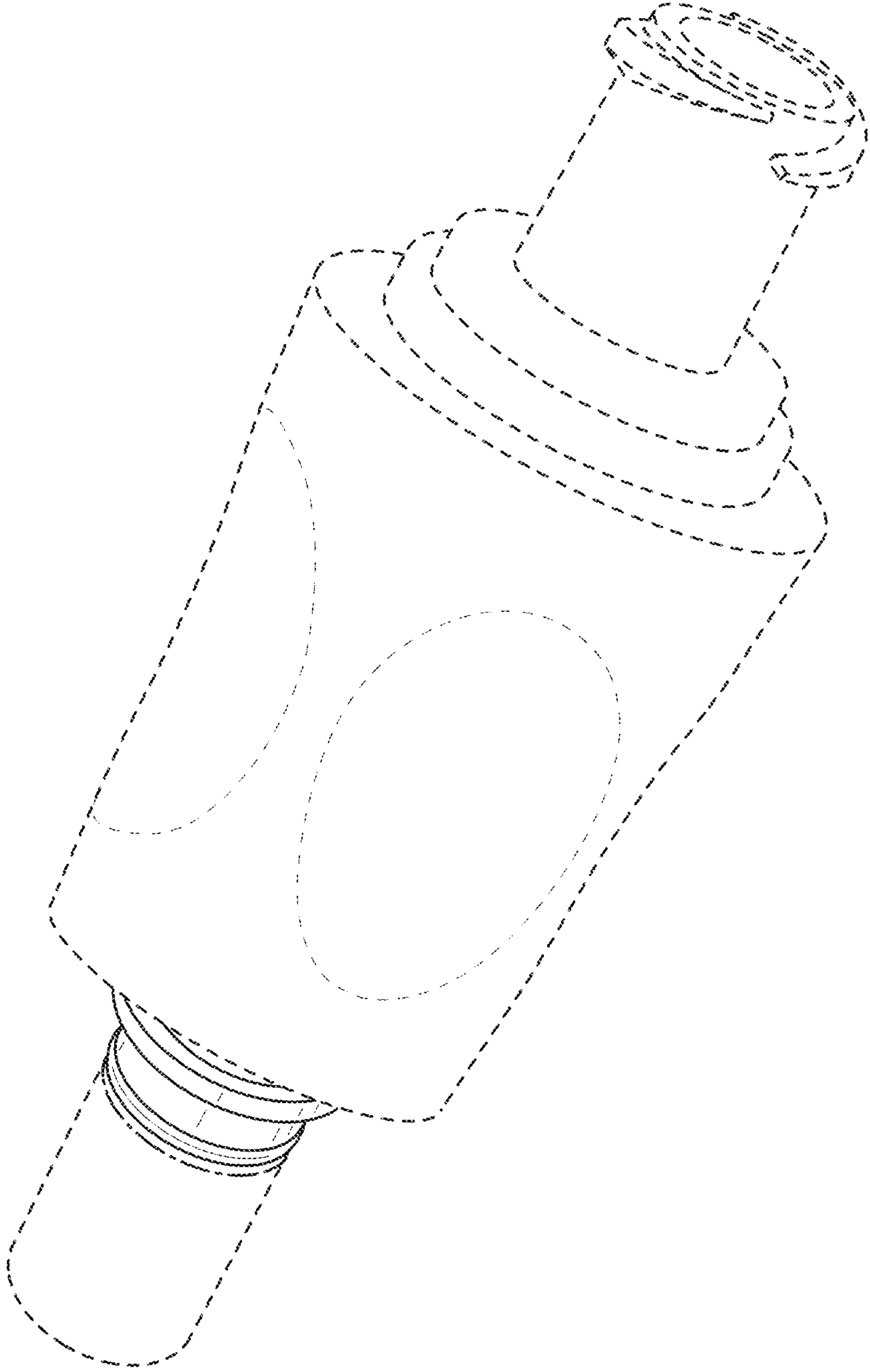


FIG. 1

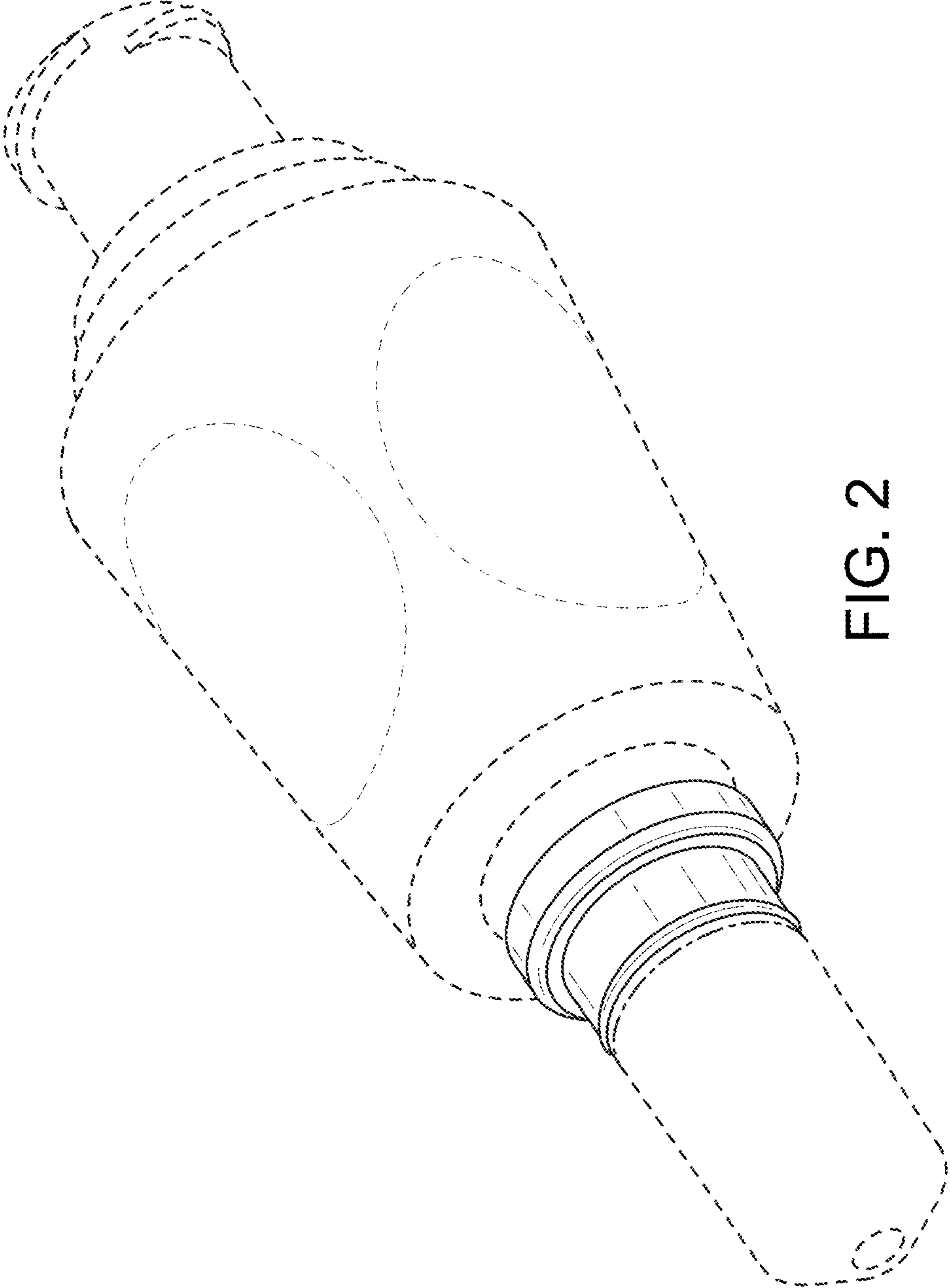


FIG. 2

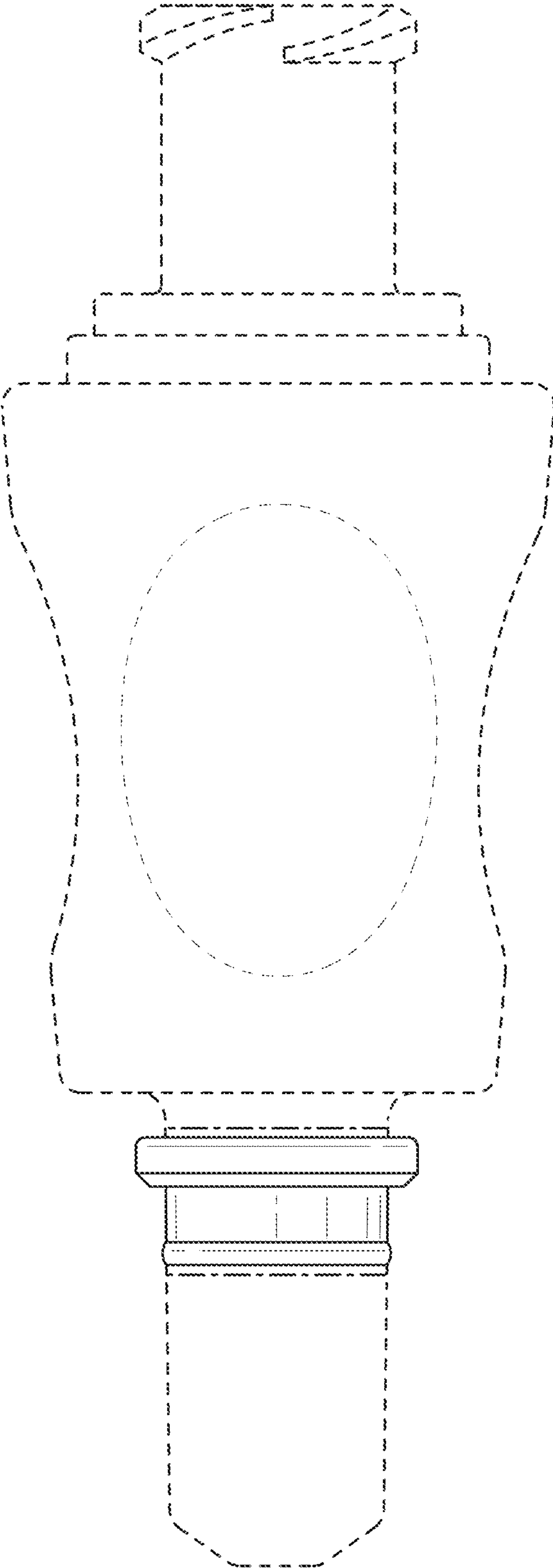


FIG. 3

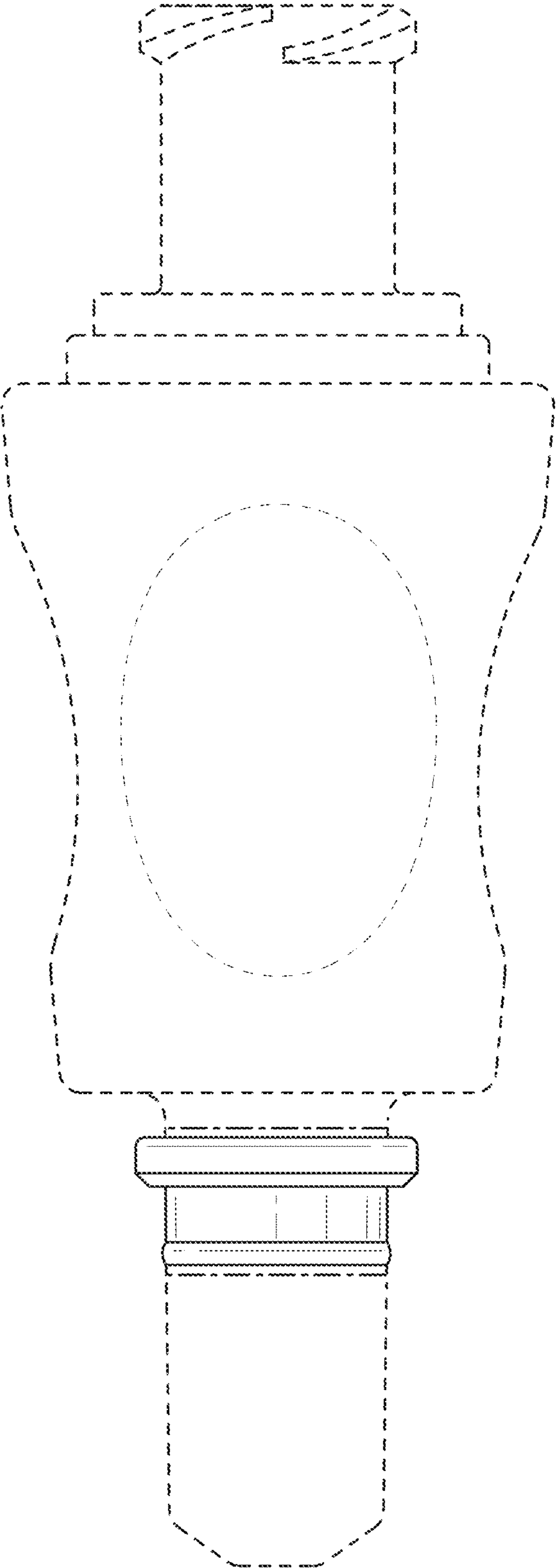


FIG. 4

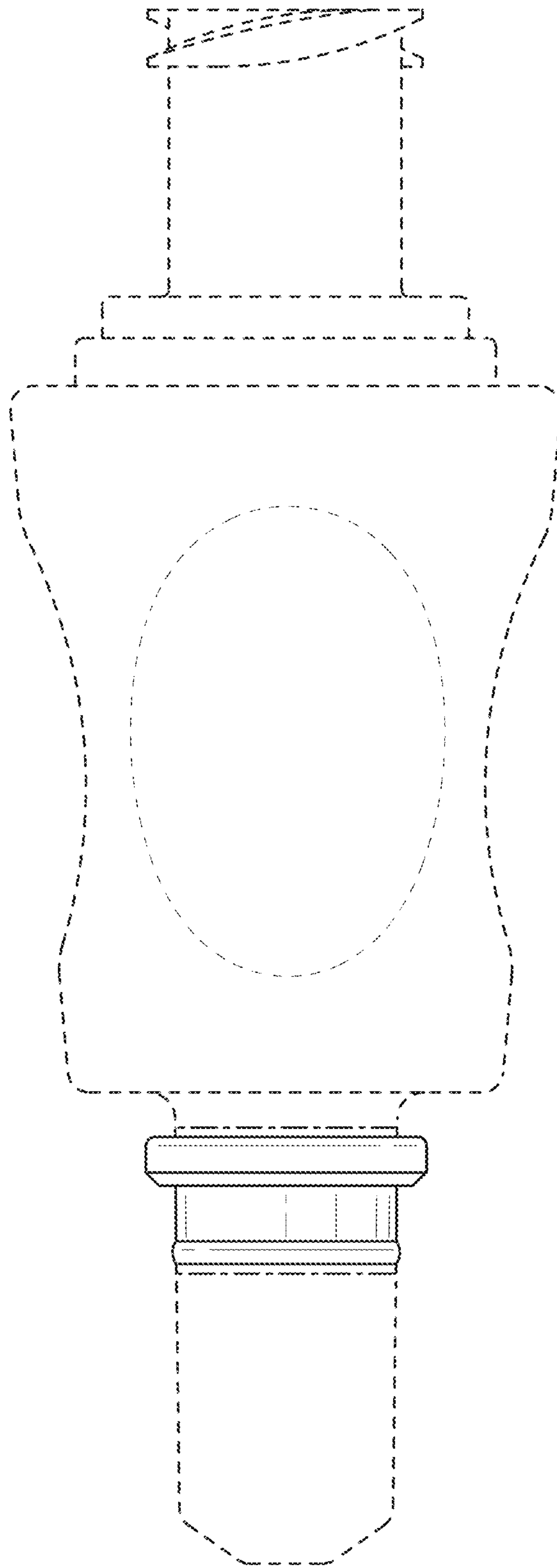


FIG. 5

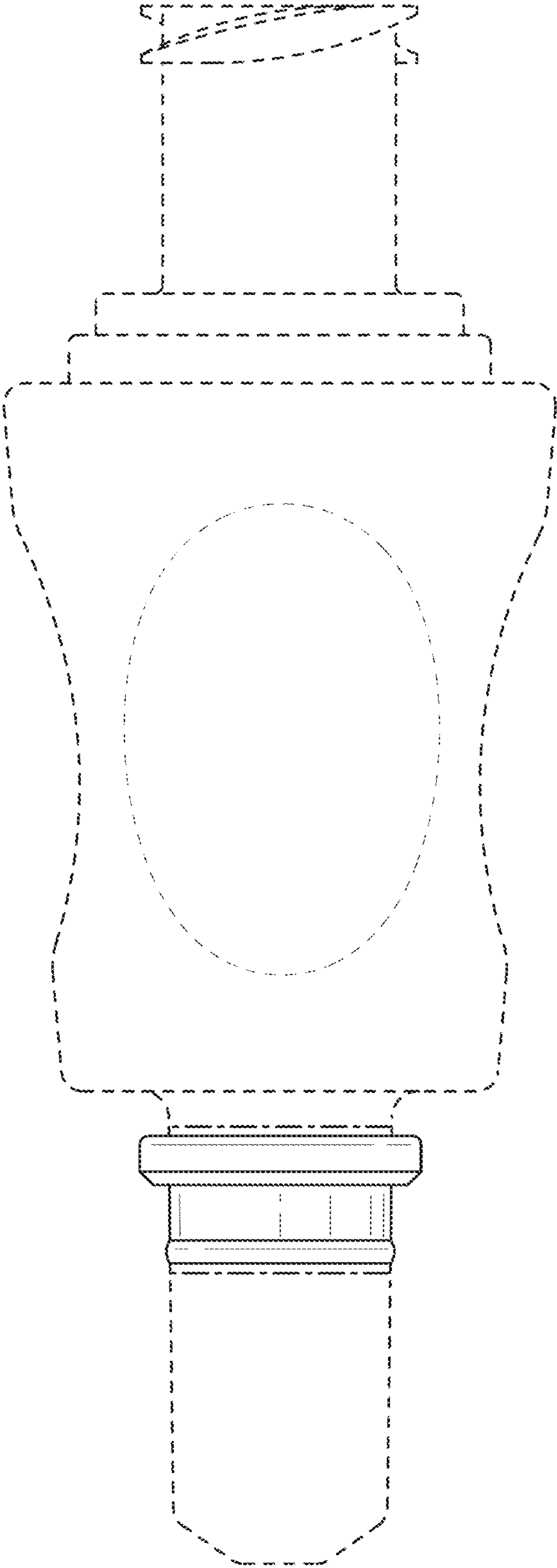


FIG. 6

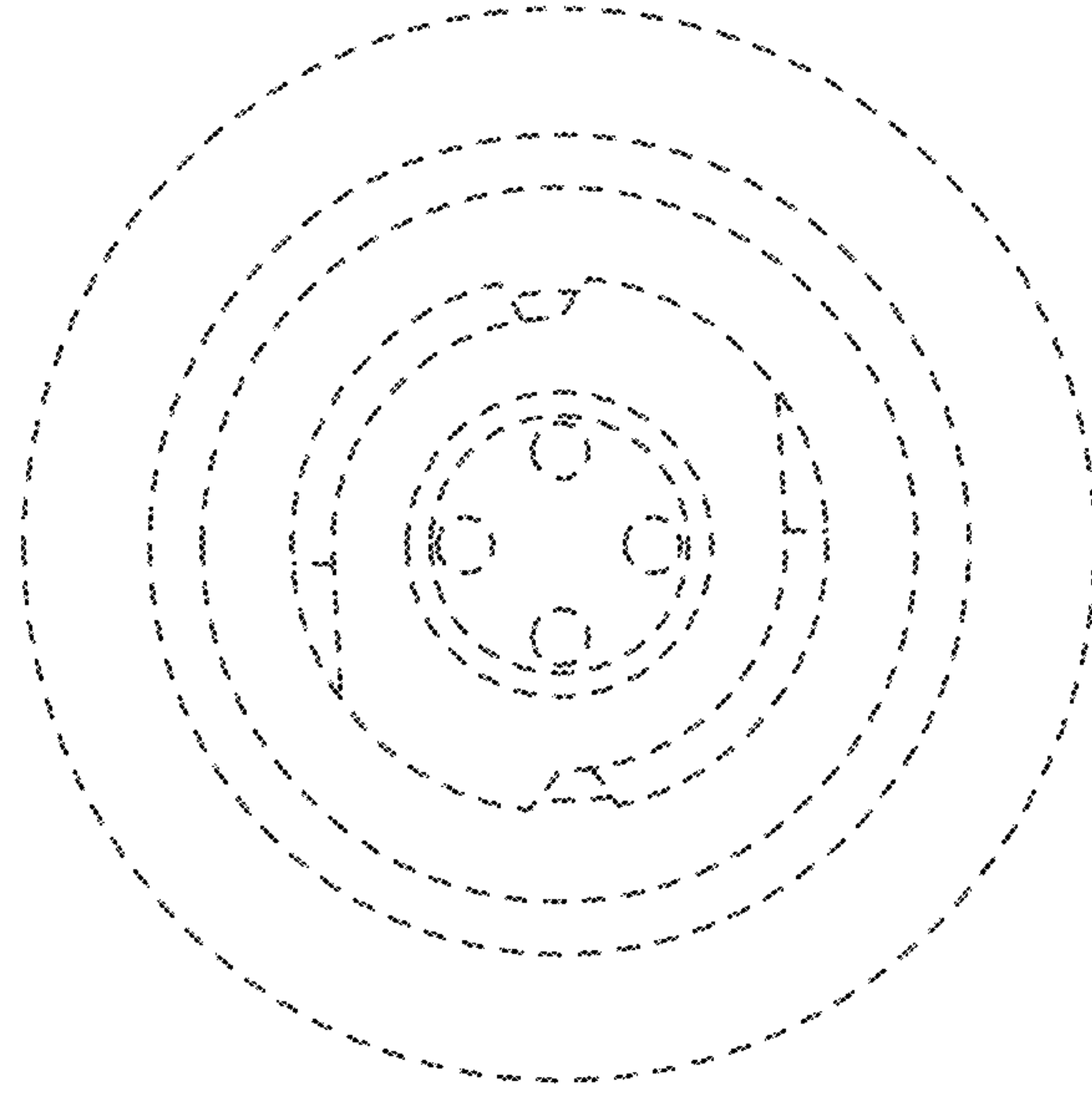


FIG. 8

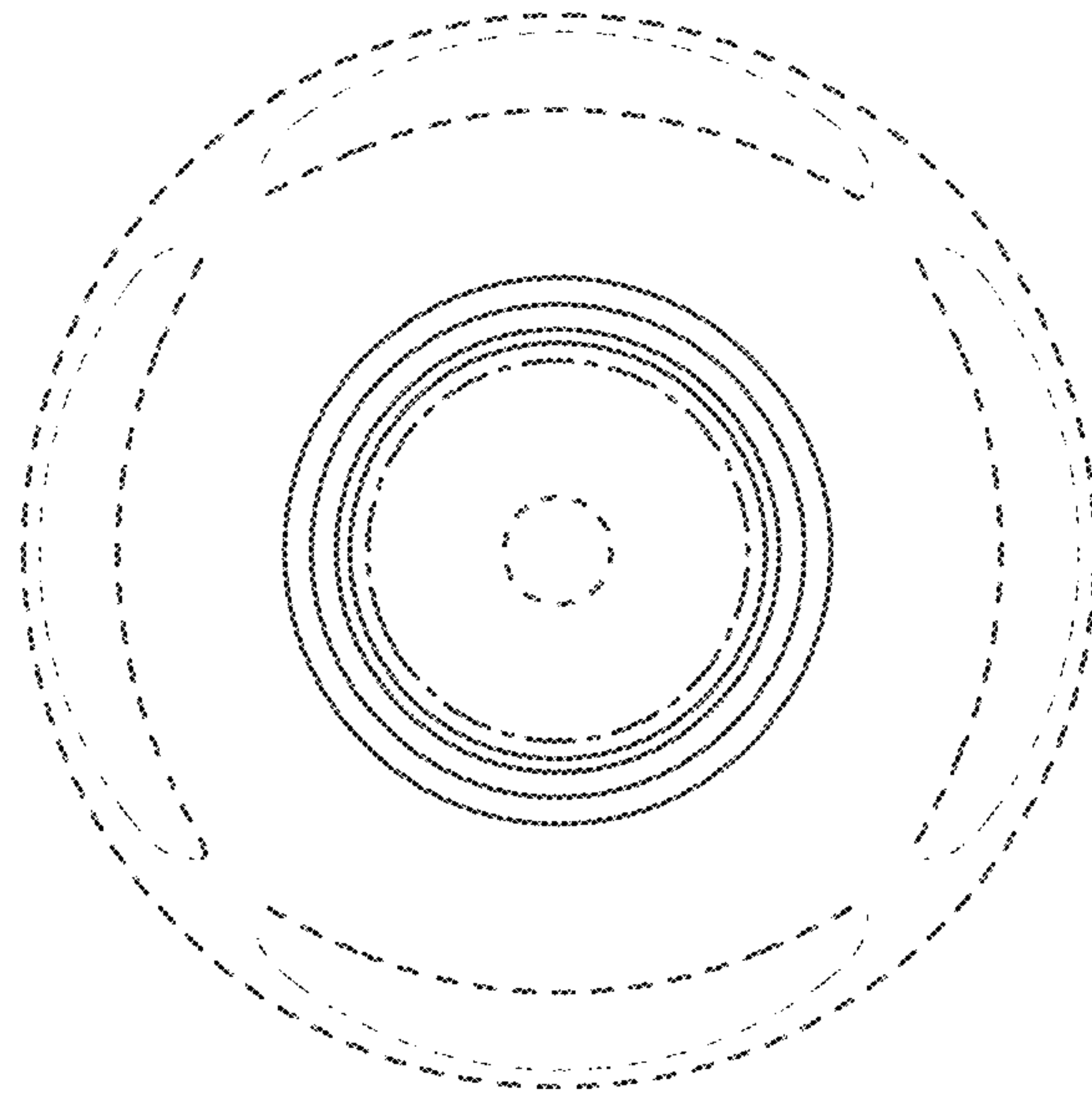


FIG. 7