



US00D835265S

(12) **United States Design Patent** (10) **Patent No.:** **US D835,265 S**
Inoue (45) **Date of Patent:** **** Dec. 4, 2018**

(54) **MEDICAL TUBE HUB**
(71) Applicant: **Kitazato Medical Co., Ltd.**, Tokyo (JP)
(72) Inventor: **Futoshi Inoue**, Fujinomiya (JP)
(73) Assignee: **KITAZATO CORPORATION**, Fuji-shi (JP)
(**) Term: **15 Years**
(21) Appl. No.: **29/589,897**
(22) Filed: **Jan. 5, 2017**

(30) **Foreign Application Priority Data**
Jul. 8, 2016 (JP) 2016-014610
Jul. 8, 2016 (JP) 2016-014611
(51) **LOC (11) Cl.** **24-01**
(52) **U.S. Cl.**
USPC **D24/129**
(58) **Field of Classification Search**
USPC D24/130, 129, 112-114, 127, 104, 133, D24/186, 108; 606/181, 185; 604/264, 604/272, 115, 164.01-164.09, 533, 232, 604/187, 168.01, 192, 19, 48, 93.01, 523, 604/524, 526; 600/101, 139, 143; 128/200.24, 207.14, 207.15; 601/67
CPC A61M 25/0097; A61M 25/0631; A61M 25/0662; A61M 25/0014; A61B 17/32053
See application file for complete search history.

(56) **References Cited**
U.S. PATENT DOCUMENTS
D497,426 S * 10/2004 Hirsch D24/108
D638,933 S * 5/2011 Hill D24/129
D652,917 S * 1/2012 Hill D24/129
D656,232 S * 3/2012 Villasana D24/128
D660,421 S * 5/2012 Miller D24/133

D671,209 S * 11/2012 Row D24/129
D681,825 S * 5/2013 Shinohara D24/186
D681,828 S * 5/2013 Shinohara D24/186
D688,385 S * 8/2013 Trump D24/224
8,777,931 B2 * 7/2014 Davis A61M 39/10
285/332
D723,180 S * 2/2015 Klein D24/216
D739,006 S * 9/2015 Tominaga D24/108
D741,477 S * 10/2015 Rogers D24/129
D742,508 S * 11/2015 Row D24/129
D745,662 S * 12/2015 Chen D24/112
D746,447 S * 12/2015 Wheeler D24/129
D750,258 S * 2/2016 Crossley D24/129
D753,288 S * 4/2016 Vallotton D24/112
D761,422 S * 7/2016 Row D24/129

(Continued)

Primary Examiner — David Muller
Assistant Examiner — Nathan Johnston
(74) *Attorney, Agent, or Firm* — Locke Lord LLP

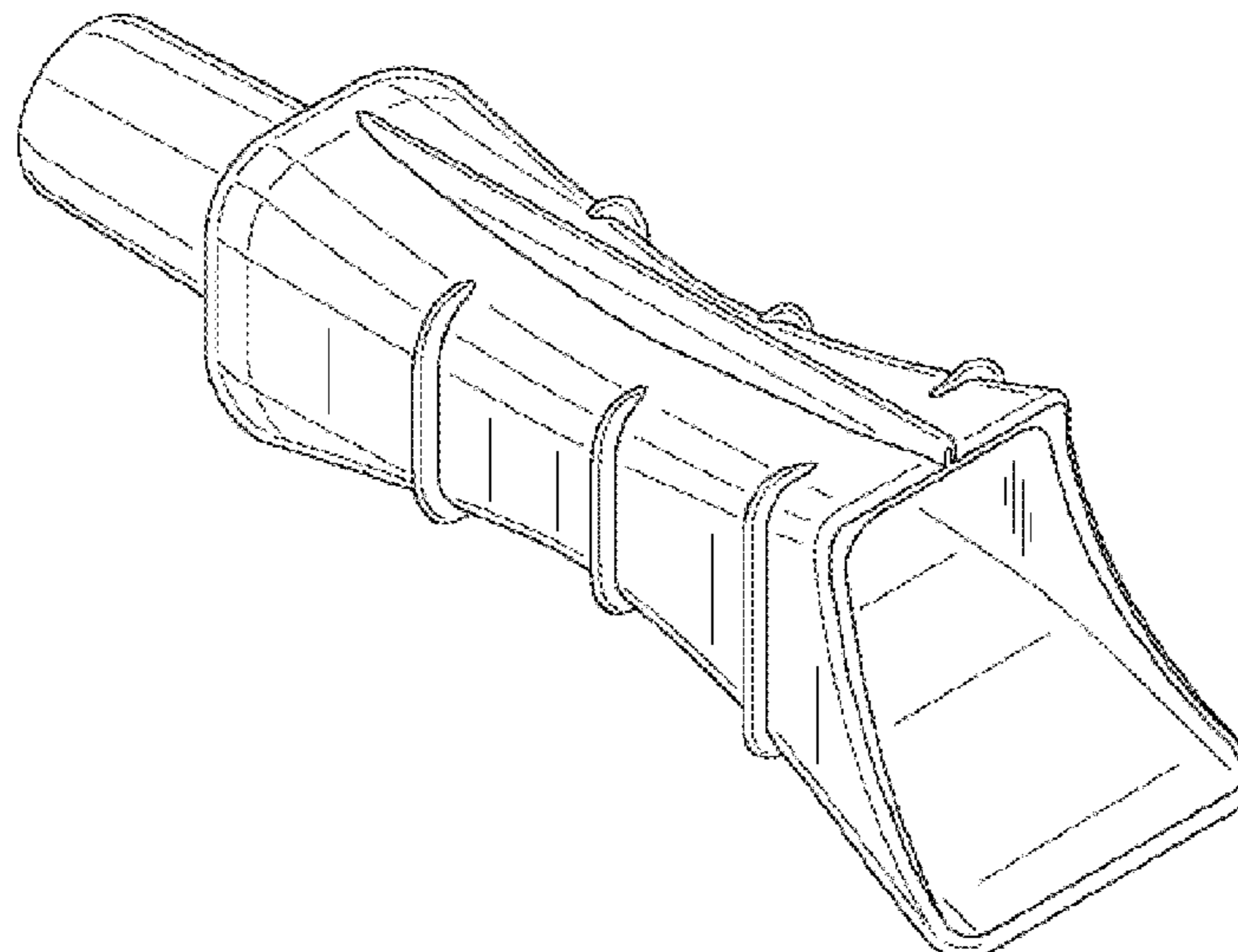
(57) **CLAIM**

The ornamental design for a medical tube hub, as shown and described.

DESCRIPTION

FIG. 1 is a front view of the medical tube hub showing my new design;
FIG. 2 is a rear elevation view thereof;
FIG. 3 is a right side elevation view thereof;
FIG. 4 is a left side elevation view thereof;
FIG. 5 is a top plan view thereof;
FIG. 6 is a bottom plan view thereof;
FIG. 7 is a top left perspective view thereof;
FIG. 8 is another top left perspective view thereof;
FIG. 9 is a bottom right perspective view thereof;
FIG. 10 is another bottom right perspective view thereof;
FIG. 11 is a left side elevation view thereof with cross section reference; and,
FIG. 12 is a cross-sectional view taken along line 12-12 in FIG. 11.

1 Claim, 8 Drawing Sheets



(56)

References Cited

U.S. PATENT DOCUMENTS

D782,684 S *	3/2017	Pippel	D24/186
D784,526 S *	4/2017	Grunhut	D24/127
D785,782 S *	5/2017	Chen	D24/112
D787,664 S *	5/2017	Grunhut	D24/127
D796,669 S *	9/2017	Palmer	D24/130
D797,923 S *	9/2017	Pereira	D24/112
D800,303 S *	10/2017	Ratjen	D24/130

* cited by examiner

FIG. 1

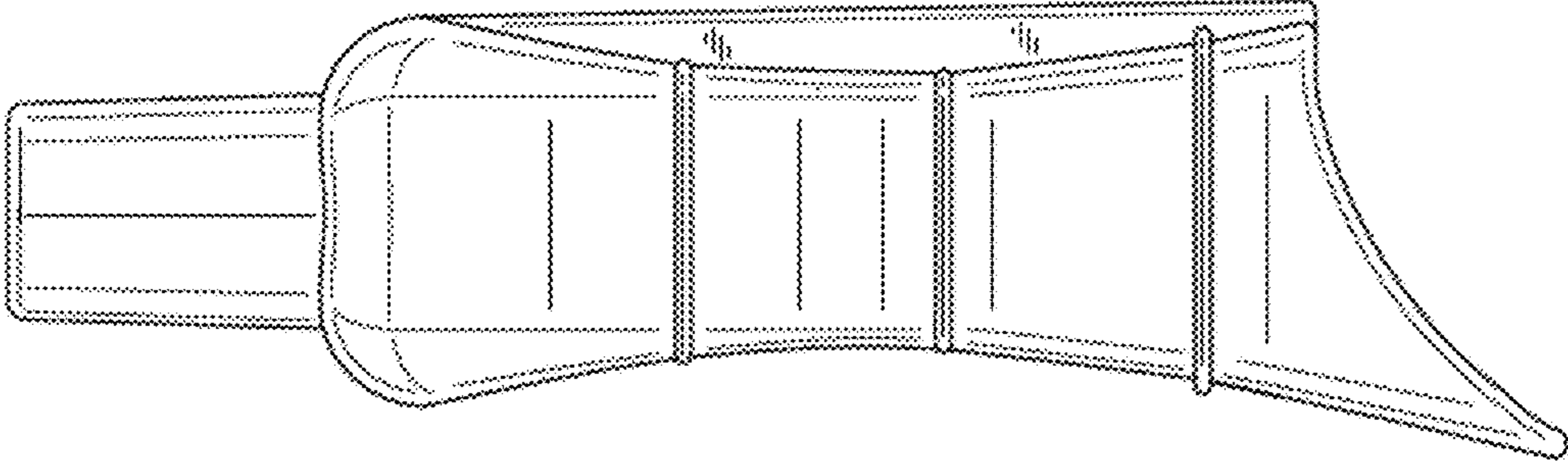


FIG. 2

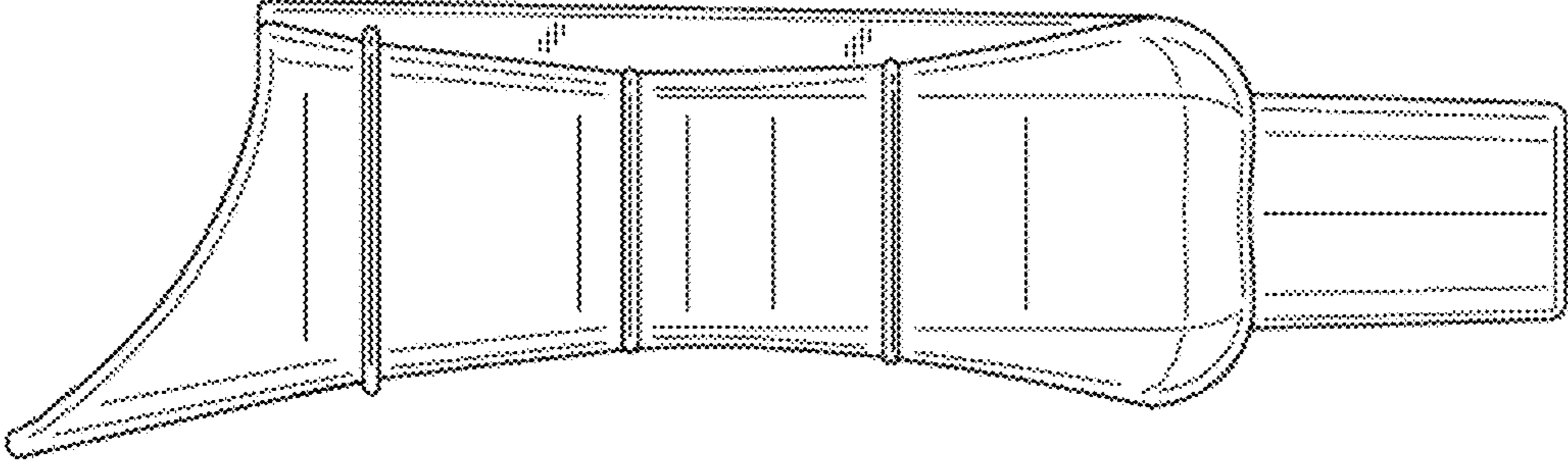


FIG. 3

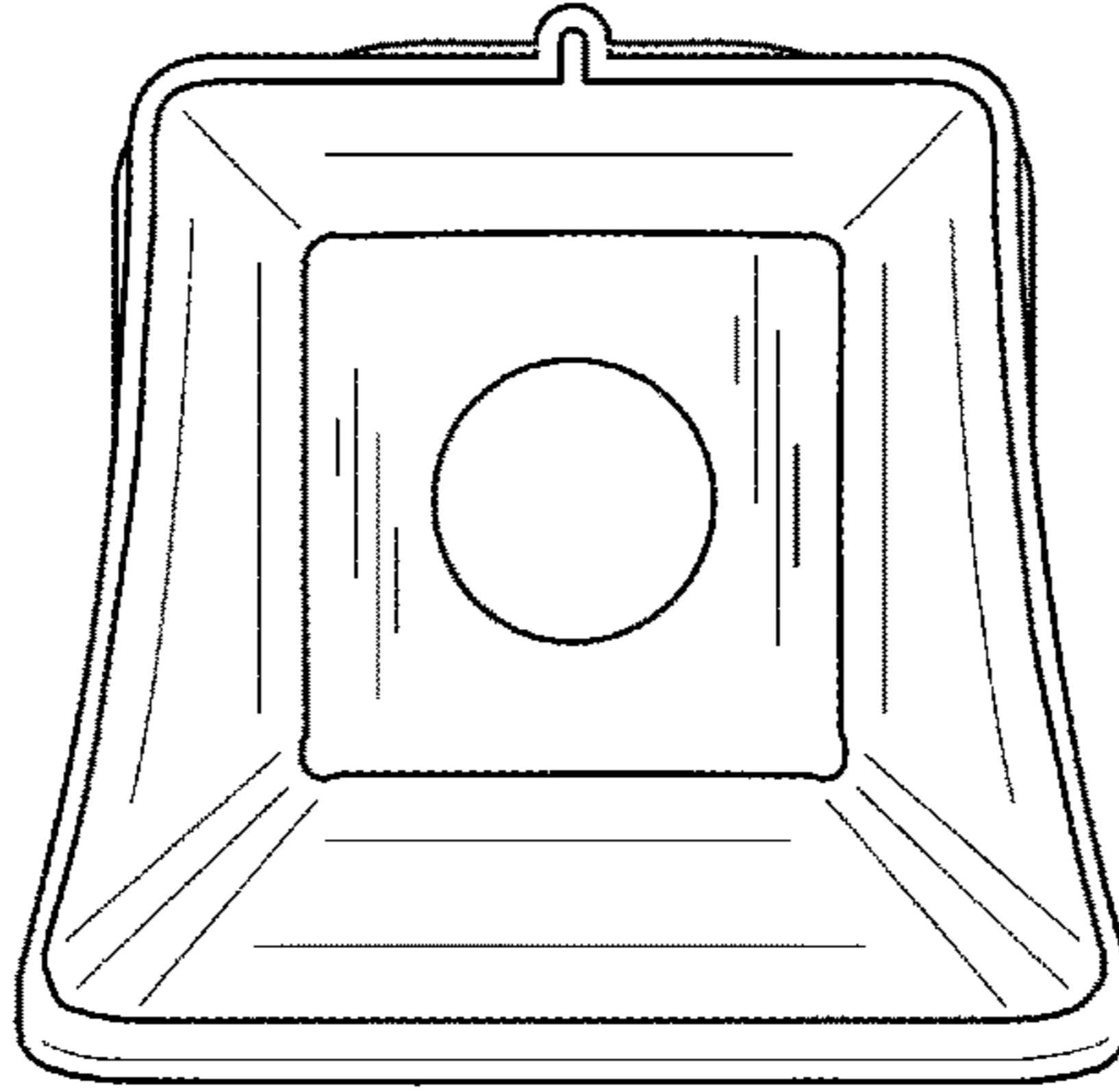


FIG. 4

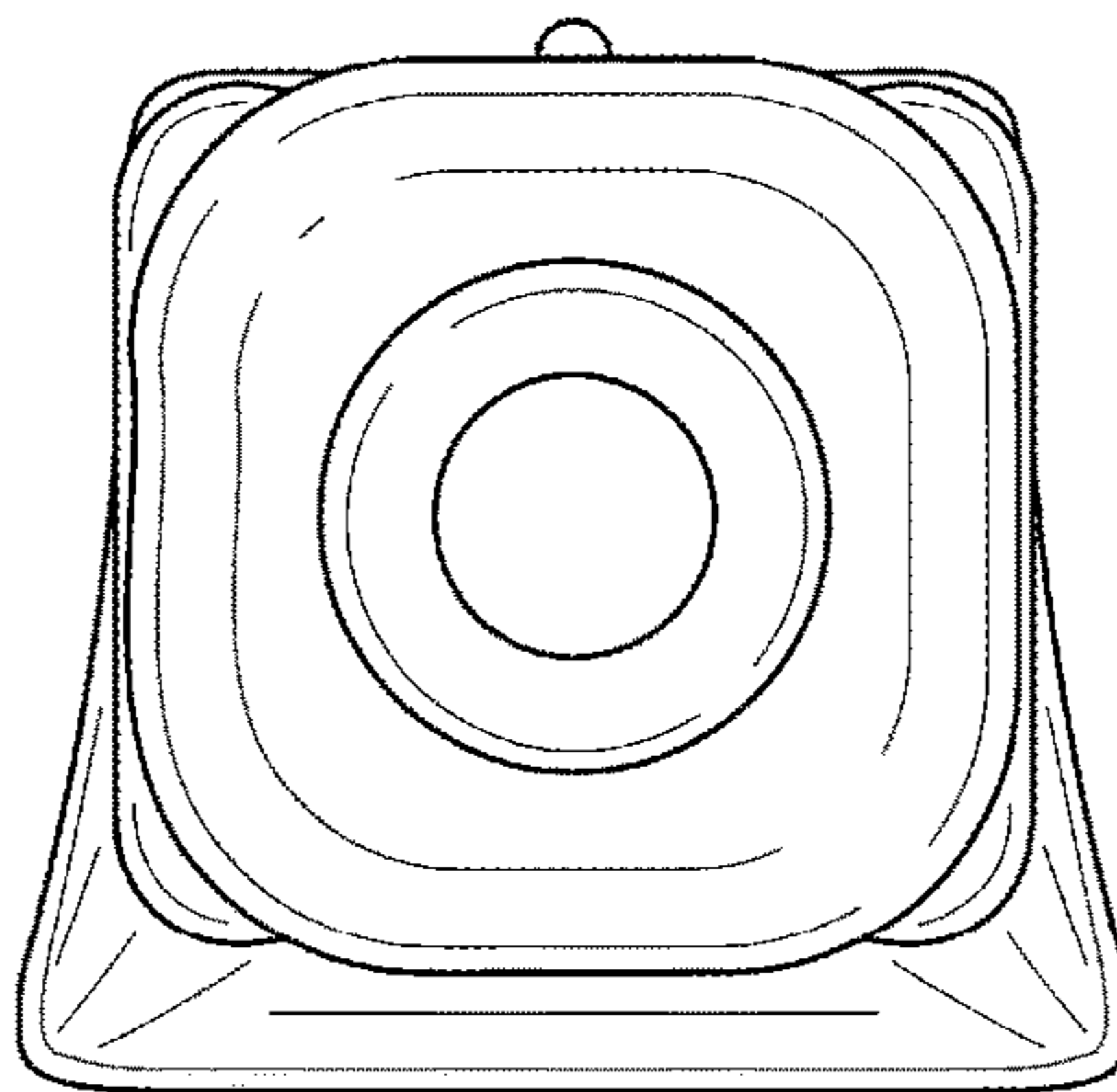


FIG. 5

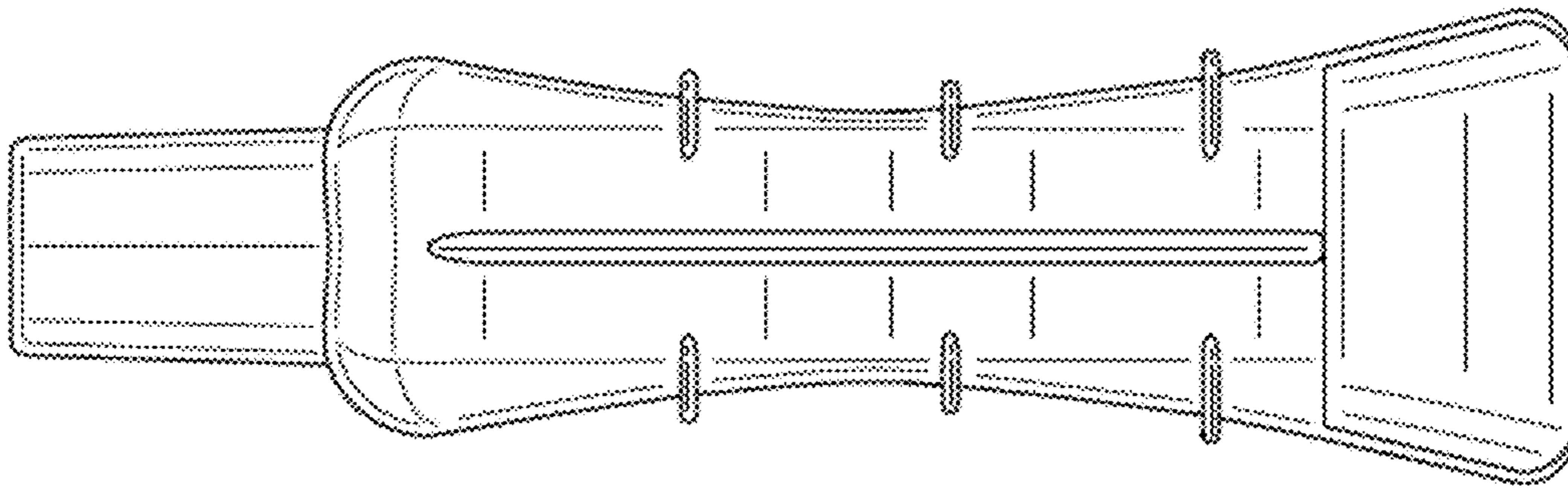


FIG. 6

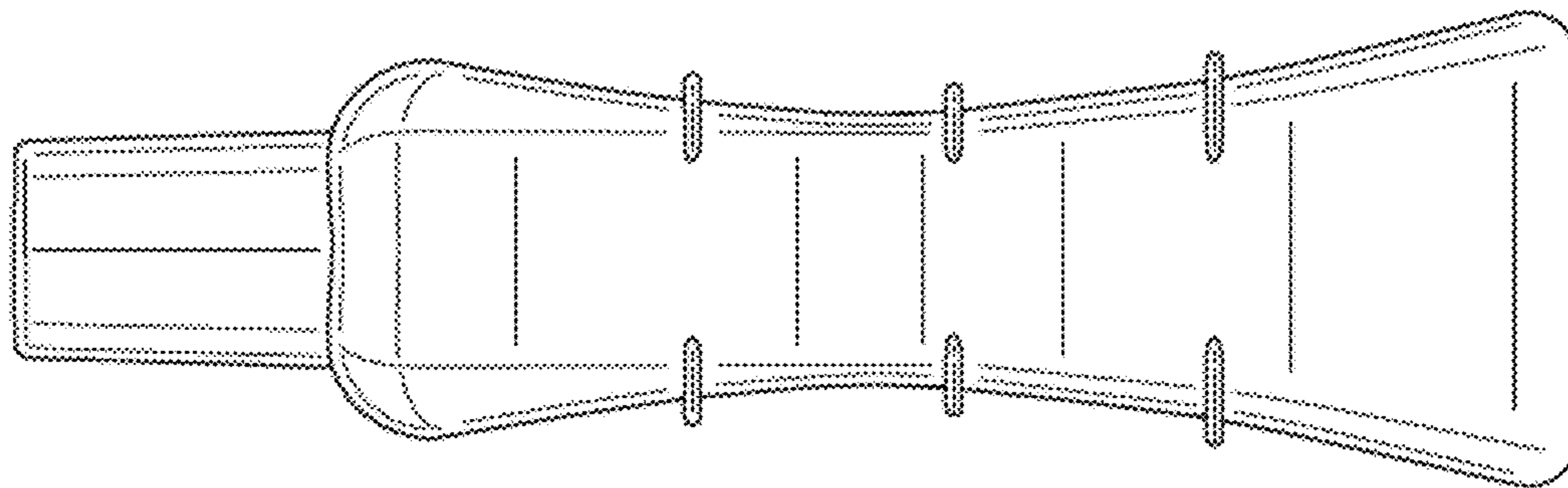


FIG. 7

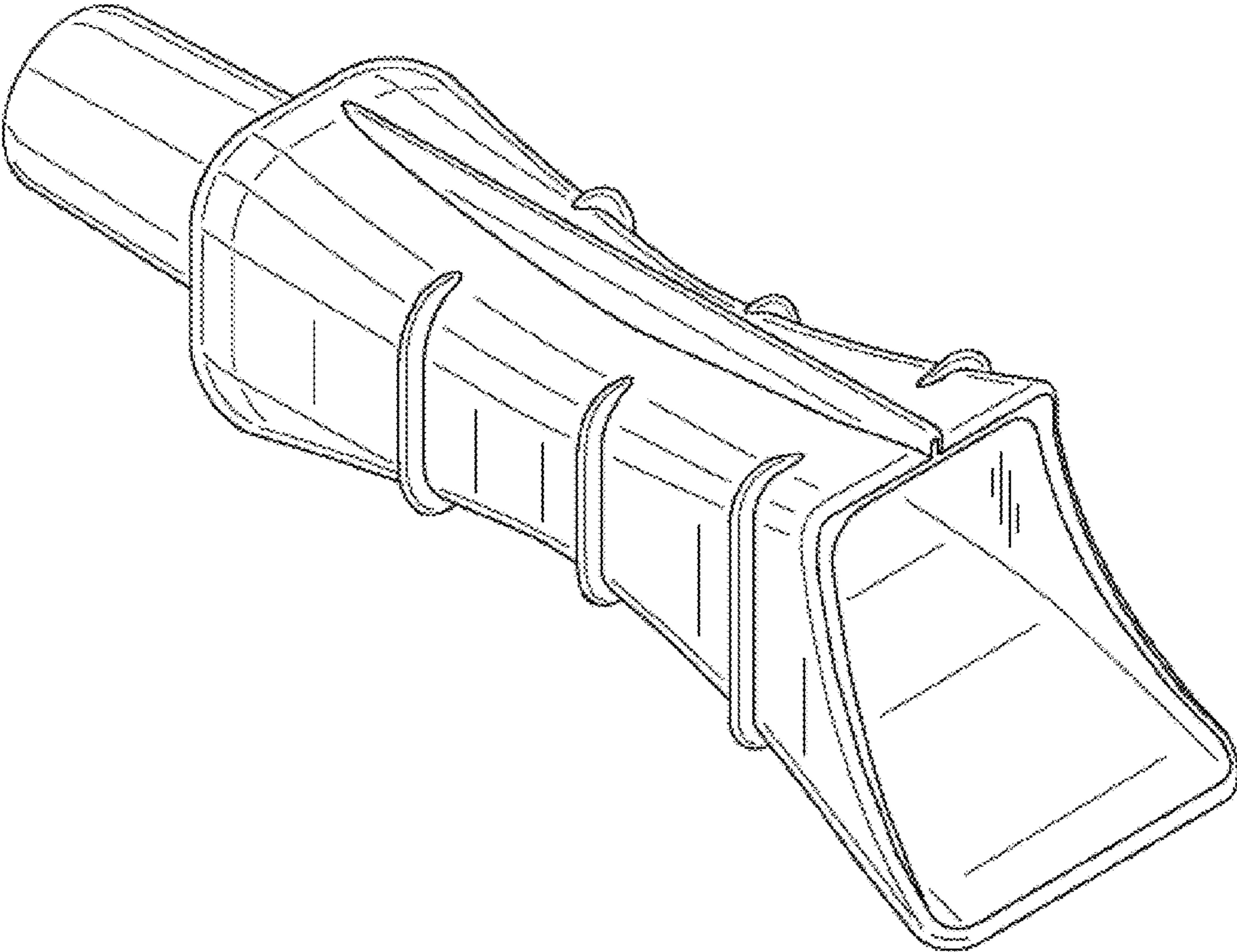


FIG. 8

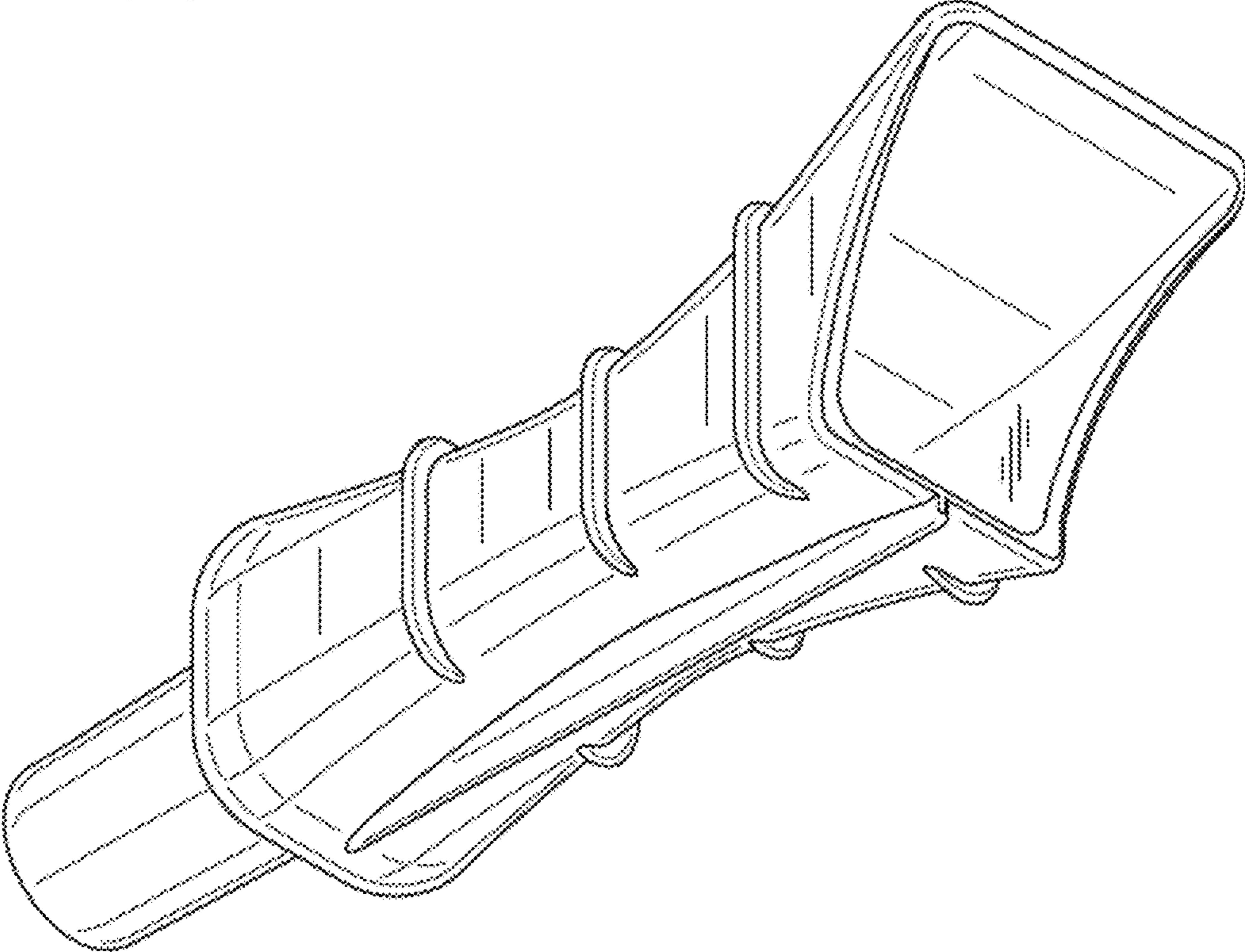


FIG. 9

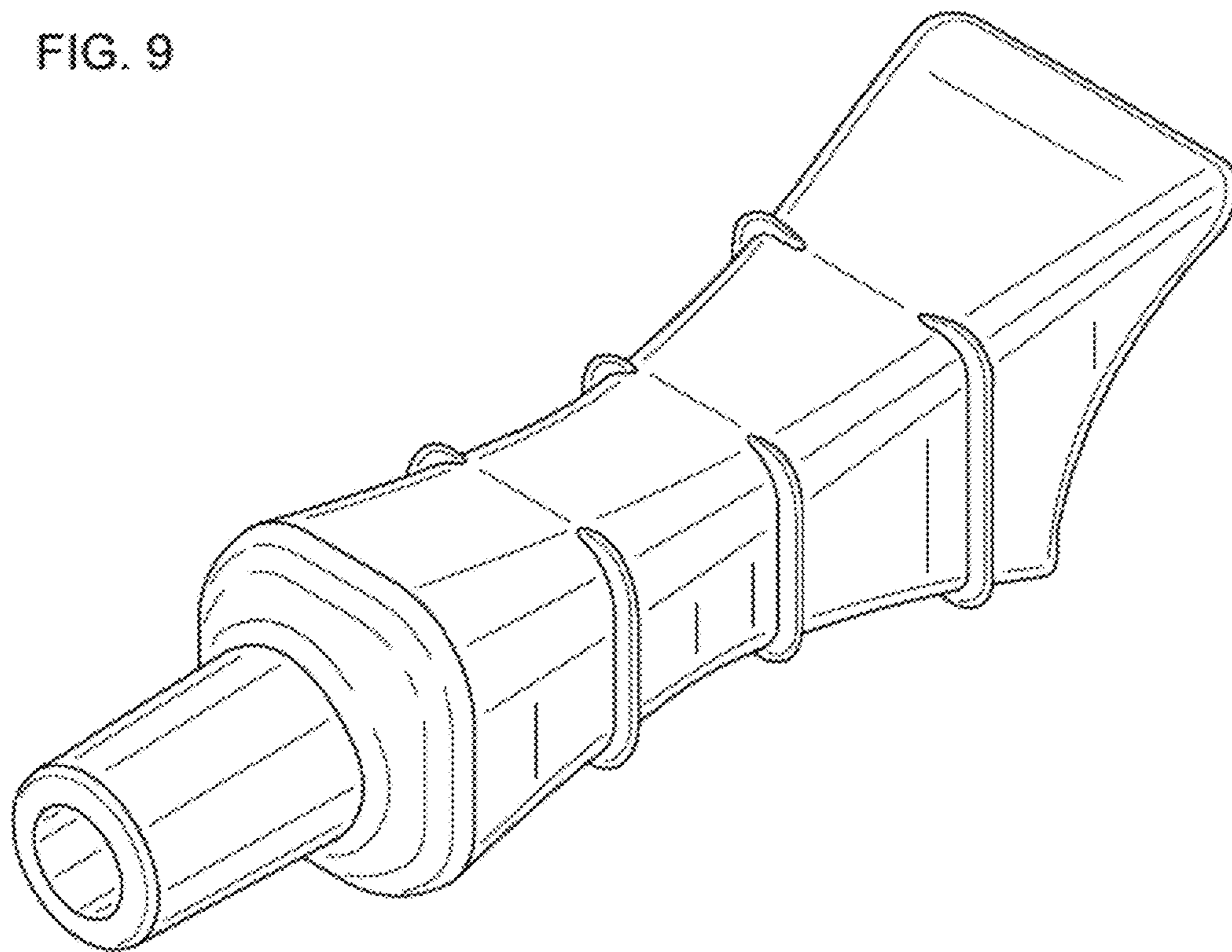


FIG. 10

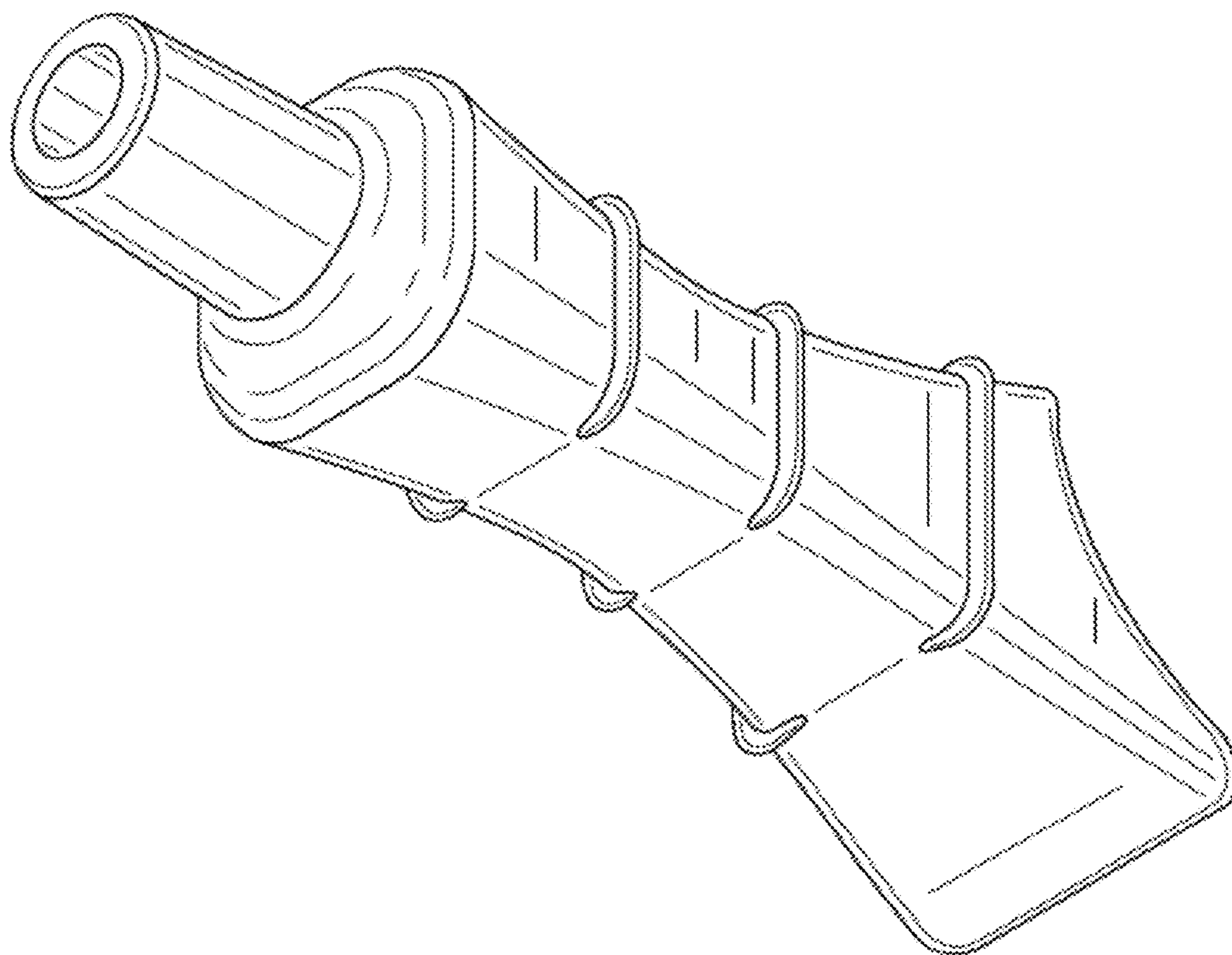


FIG. 11

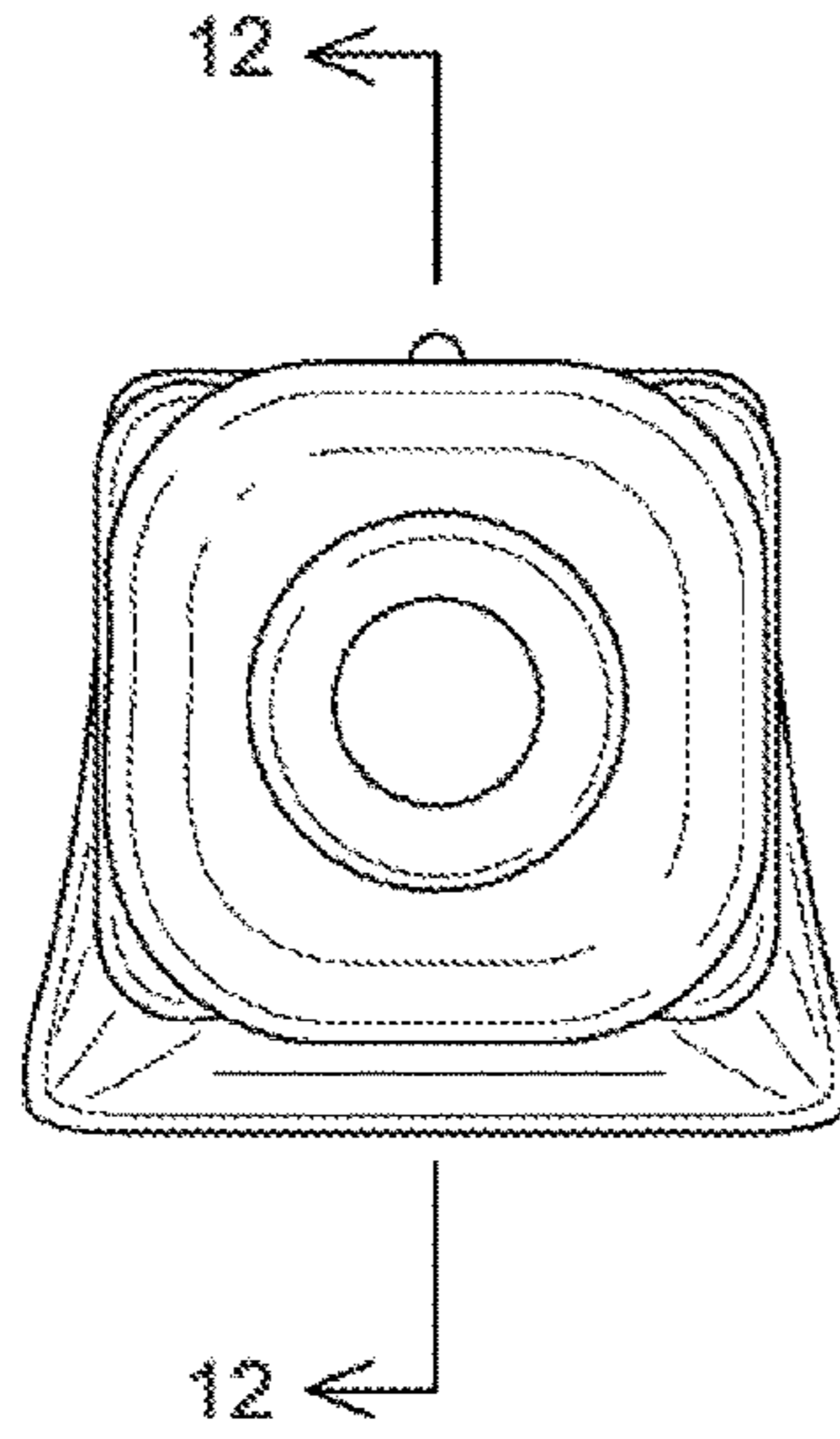


FIG. 12

