



US00D835261S

(12) **United States Design Patent**  
**Oakes**

(10) **Patent No.:** **US D835,261 S**

(45) **Date of Patent:** **\*\* Dec. 4, 2018**

(54) **PUMP AND CARTRIDGE SET FOR PORTABLE PATIENT INFUSION SYSTEM**

(71) Applicant: **ViCentra B.V.**, Utrecht (NL)

(72) Inventor: **Timothy William Oakes**, Swansea (GB)

(73) Assignee: **ViCentra, B.V.**, Utrecht (NL)

(\*\*) Term: **15 Years**

(21) Appl. No.: **29/552,492**

(22) Filed: **Jan. 22, 2016**

(51) **LOC (11) Cl.** ..... **24-02**

(52) **U.S. Cl.**  
USPC ..... **D24/111**; D24/113

(58) **Field of Classification Search**  
USPC ..... D24/107, 108, 111, 112, 113, 169  
CPC ..... A61M 5/14244; A61M 5/142; A61M 2205/502; A61M 2205/18; A61M 2205/52; A61M 2205/50; A61M 5/172; A61M 2005/14208; A61M 2005/14268; A61M 5/1413; A61M 5/1723; A61M 5/14248; A61M 2205/3569; A61M 2205/3584; A61M 2205/505

See application file for complete search history.

(56) **References Cited**

**U.S. PATENT DOCUMENTS**

D760,374 S *	6/2016	Nagar	.....	D24/108
9,883,834 B2 *	2/2018	Amirouche	.....	A61B 5/4839
D812,738 S *	3/2018	Wolford	.....	D24/111
D812,739 S *	3/2018	Wolford	.....	D24/111
2004/0064088 A1 *	4/2004	Gorman	.....	A61M 5/14276 604/93.01

(Continued)

**OTHER PUBLICATIONS**

Hoskins, Mike. Kaleido: Adding Color to Insulin Pumps with an Odd Hybrid Device. Healthline. Date published: Sep. 29, 2015.

Retrieved from internet. <<https://www.healthline.com/diabetesmine/kaleido-color-punnp#4>> (Year: 2015).\*

*Primary Examiner* — Karen E Kearney

*Assistant Examiner* — Lilyana Bekic

(74) *Attorney, Agent, or Firm* — Hahn Loeser & Parks LLP

(57) **CLAIM**

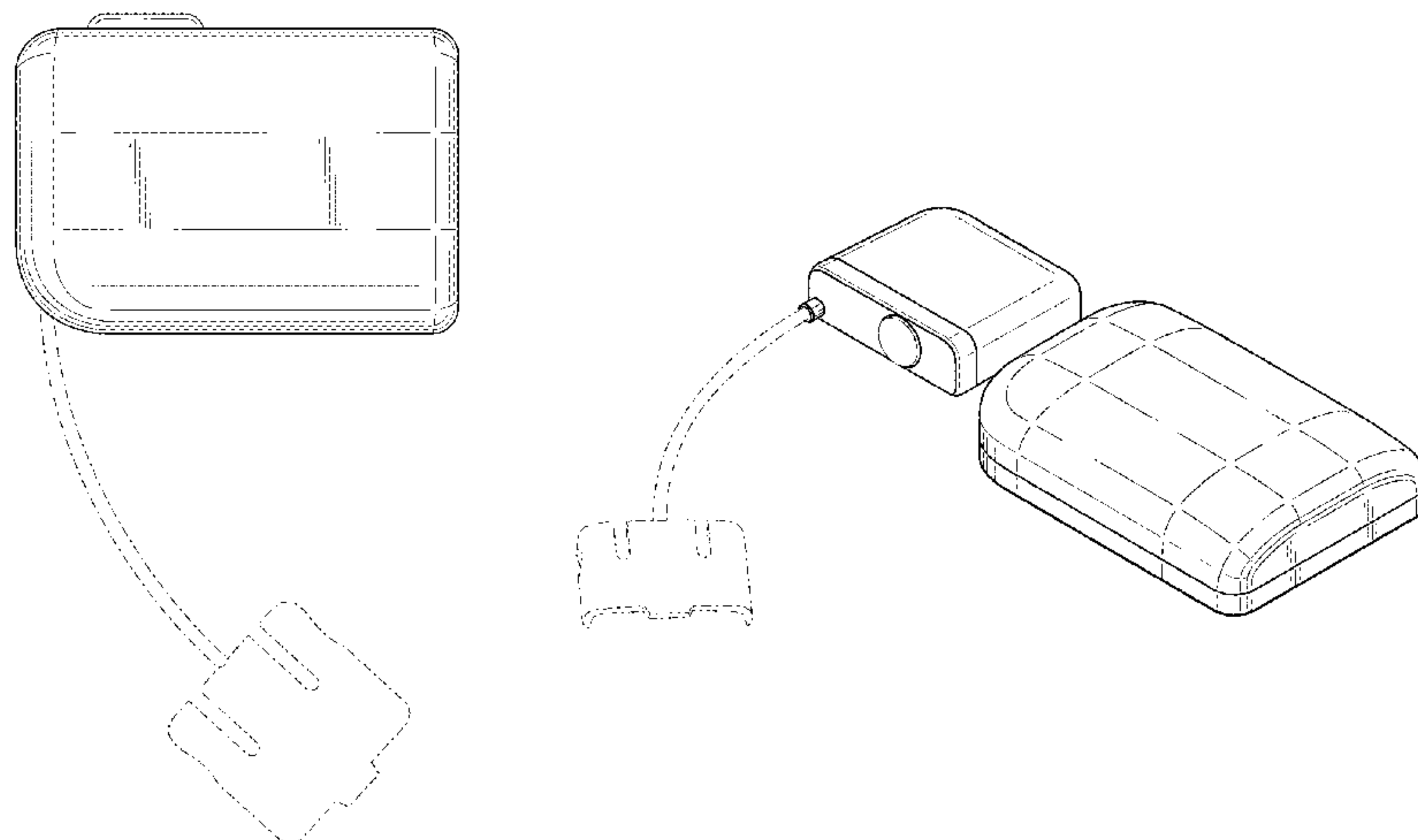
The ornamental design for a pump and cartridge set for a portable patient infusion system, as shown and described.

**DESCRIPTION**

FIG. 1 is a top view of a pump and cartridge set for a portable patient infusion system showing the new design; FIG. 2 is a left side view thereof; FIG. 3 is a right side view thereof; FIG. 4 is a front view thereof; FIG. 5 is a rear view thereof; FIG. 6 is a bottom view thereof; FIG. 7 is a top perspective view thereof; FIG. 8 is a top view thereof with the cartridge taken out of the pump; FIG. 9 is a left side view thereof; FIG. 10 is a right side view thereof; FIG. 11 is a front view thereof; FIG. 12 is a rear view thereof; FIG. 13 is a bottom view thereof; and, FIG. 14 is a top perspective view thereof.

The broken lines (dash-dot-dash) in the drawings showing an infusion tube and an infusion set depict environment and form no part of the claimed design. All other broken lines (dash-dash lines showing a pump chassis overmold visible in the pump opening when the cartridge is taken out of the pump in FIG. 12, and showing a locking tab visible in the pump opening when the cartridge is taken out of the pump in FIG. 13) depict portions of the pump and cartridge set for a portable patient infusion system that form no part of the claimed design.

**1 Claim, 8 Drawing Sheets**



(56)

**References Cited**

U.S. PATENT DOCUMENTS

2009/0143732 A1\* 6/2009 O'Connor ..... A61M 5/14248  
604/151  
2009/0216194 A1\* 8/2009 Elgard Pedersen .....  
A61M 5/14248  
604/151  
2012/0093315 A1\* 4/2012 Nierzwick ..... H04L 63/061  
380/270  
2012/0191043 A1\* 7/2012 Yodfat ..... A61M 5/14244  
604/154  
2015/0306307 A1\* 10/2015 Cole ..... A61M 5/14248  
604/508  
2017/0021137 A1\* 1/2017 Cole ..... A61M 25/0606  
2017/0043101 A1\* 2/2017 Cole ..... A61M 25/0631  
2017/0224910 A1\* 8/2017 Yodfat ..... A61M 5/1413  
2017/0224912 A1\* 8/2017 Yodfat ..... A61M 5/14248

\* cited by examiner

Fig. 2

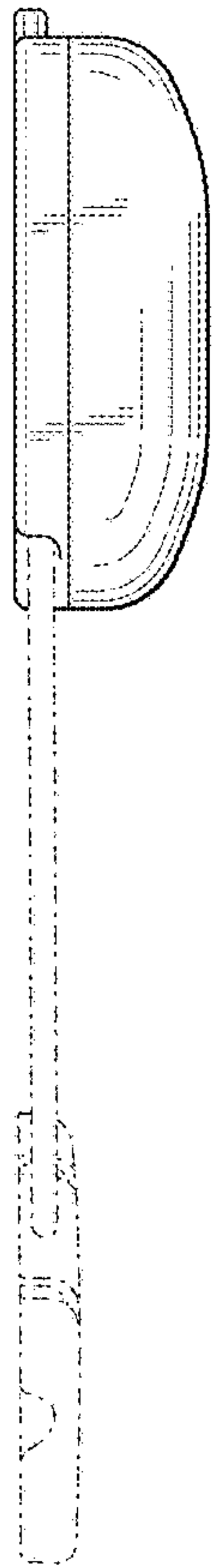


Fig. 1

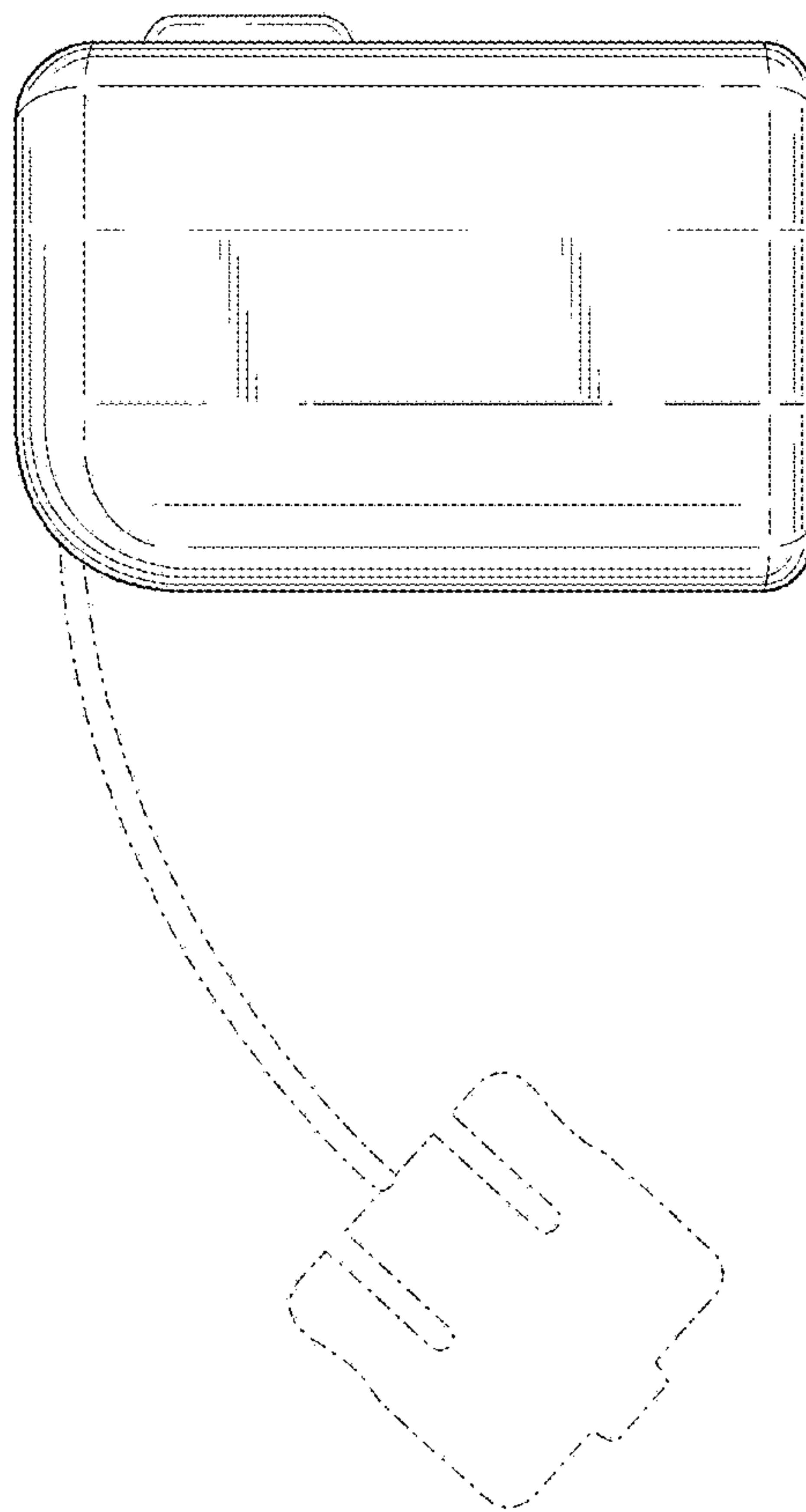


Fig. 3

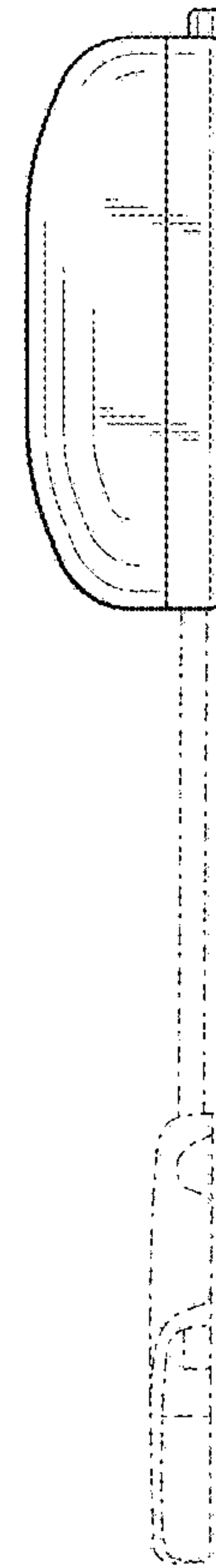


Fig. 4



Fig. 5

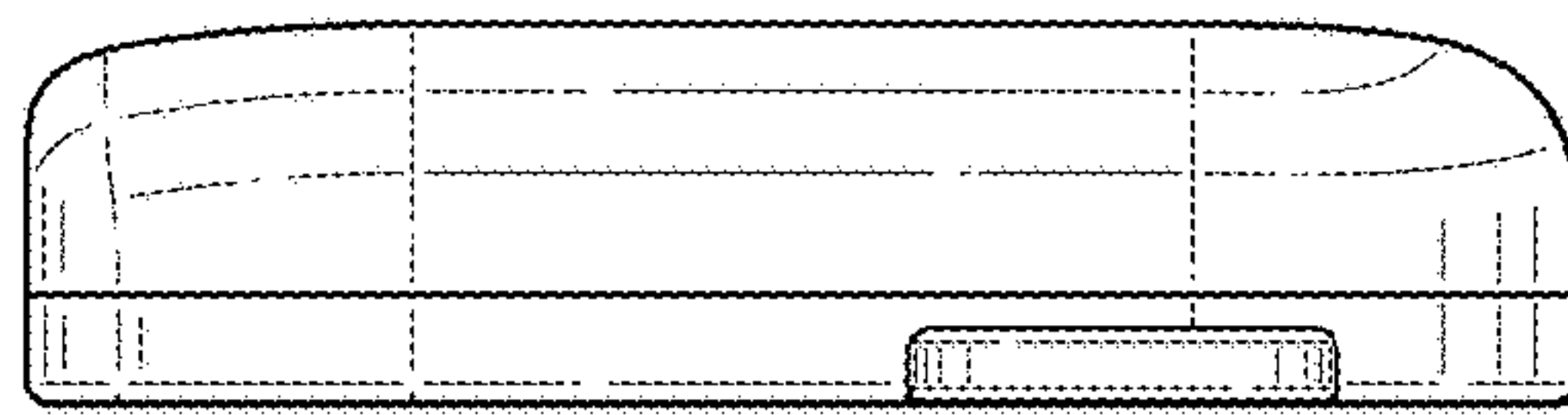


Fig. 6

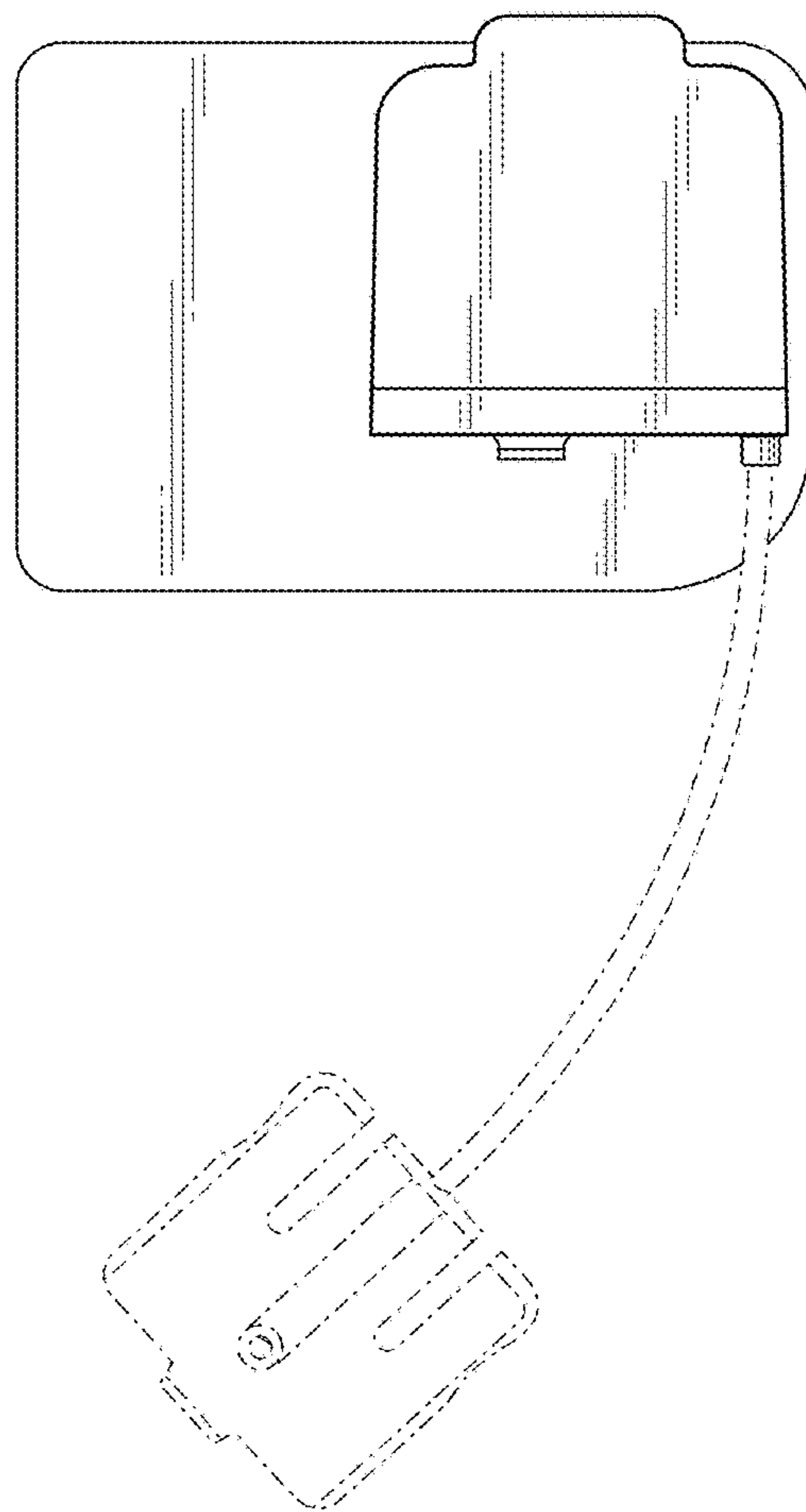


Fig. 7

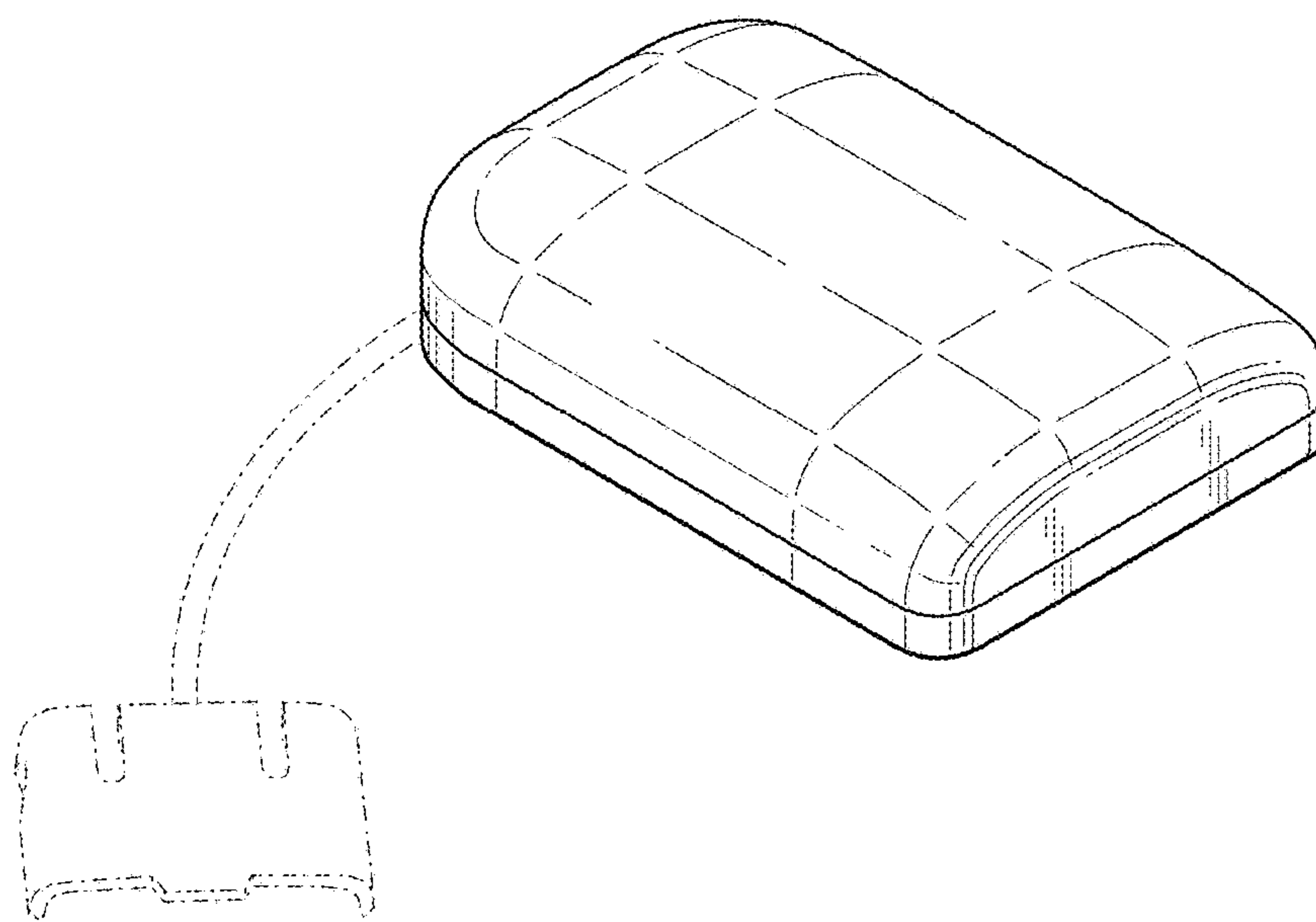


Fig. 10

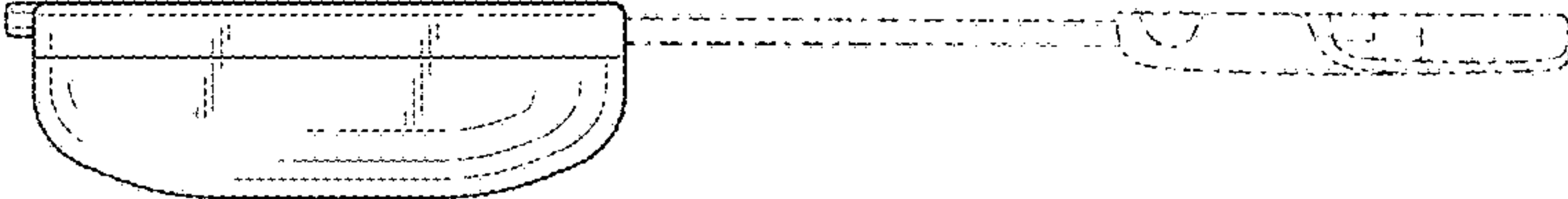


Fig. 8

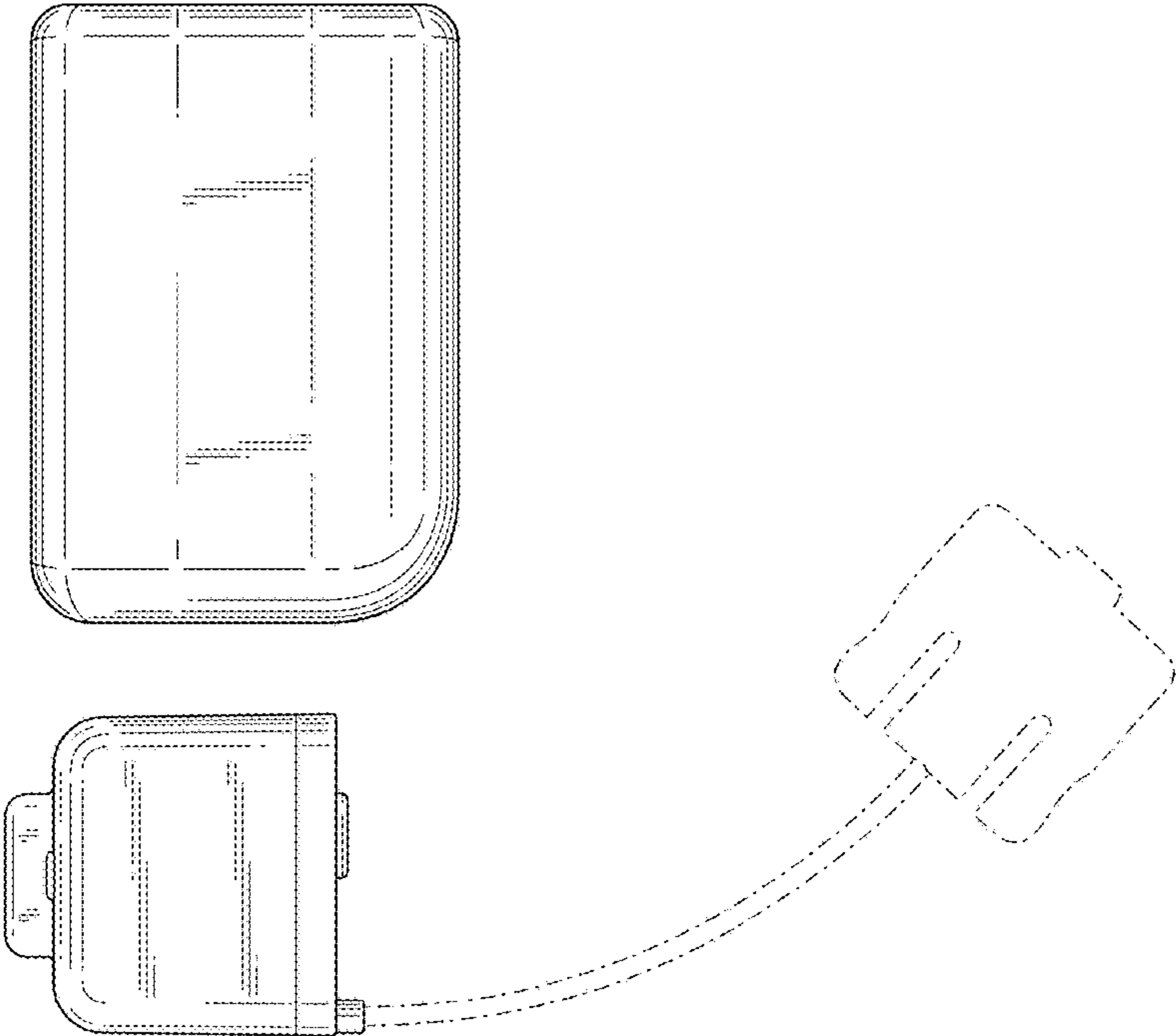


Fig. 9

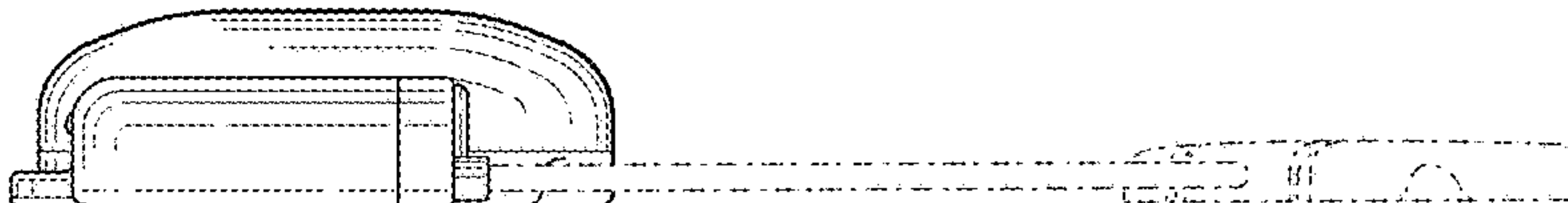




Fig. 11

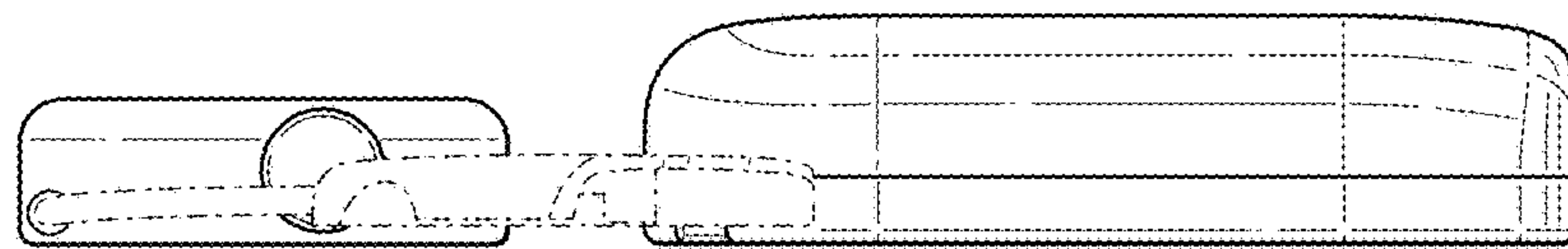


Fig. 12

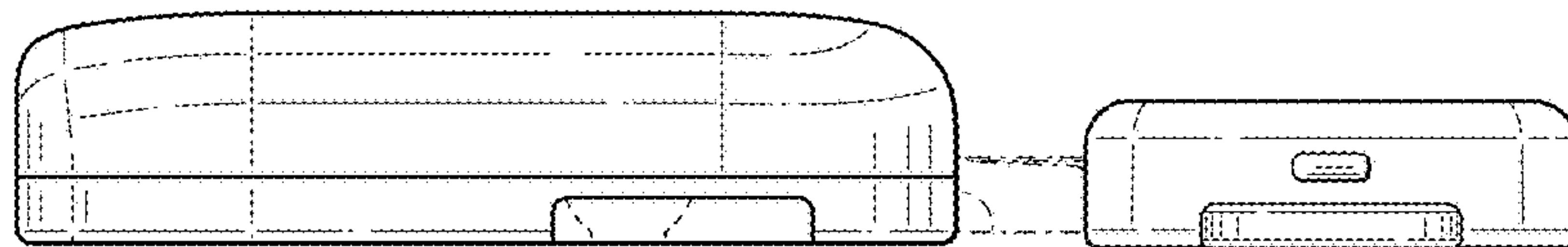




Fig. 13

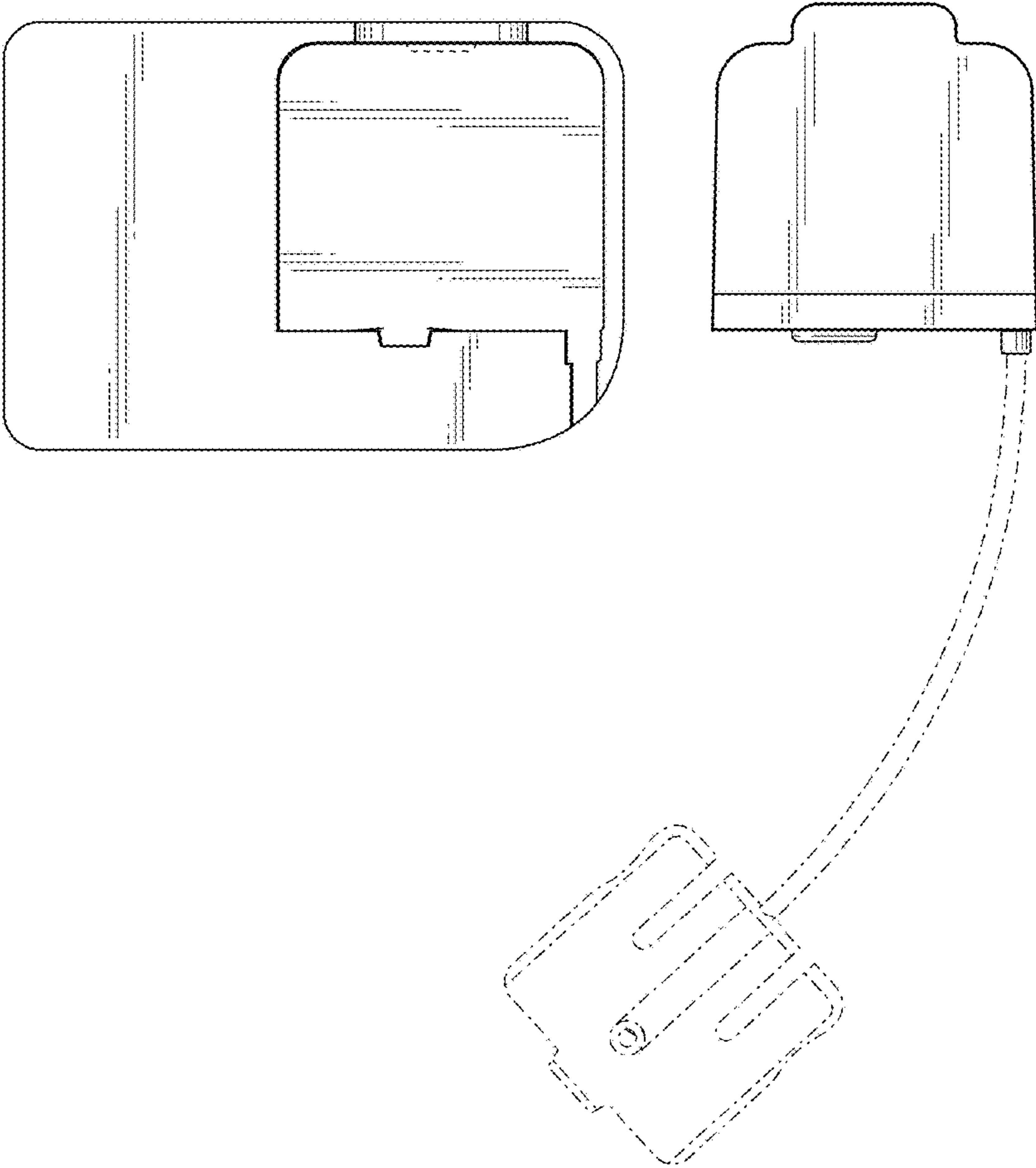


Fig. 14

