



US00D835260S

(12) **United States Design Patent**  
**Lisberg**

(10) **Patent No.:** **US D835,260 S**

(45) **Date of Patent:** **\*\* Dec. 4, 2018**

(54) **DELIVERY ASSIST DEVICE FOR METERED DOSE INHALER**

(71) Applicant: **ABITHAS, LLC**, River Forest, IL (US)

(72) Inventor: **Edward E. Lisberg**, River Forest, IL (US)

(73) Assignee: **Abithas, LLC**, River Forest, IL (US)

(\*\*) Term: **15 Years**

(21) Appl. No.: **29/599,714**

(22) Filed: **Apr. 6, 2017**

(51) **LOC (11) Cl.** ..... **29-02**

(52) **U.S. Cl.**  
USPC ..... **D24/110**

(58) **Field of Classification Search**  
USPC ... D24/108, 110, 110.1, 110.4, 110.5, 110.6,  
D24/129, 164  
CPC ..... A61M 2202/064; A61M 15/0025; A61M  
15/00; A61M 15/0065; A61M 15/0026;  
A61M 11/00; A61M 15/0088  
See application file for complete search history.

(56) **References Cited**

U.S. PATENT DOCUMENTS

- 4,796,614 A \* 1/1989 Nowacki ..... A61M 15/0086  
128/200.14
- 5,012,803 A \* 5/1991 Foley ..... A61M 15/0086  
128/200.14
- 5,012,804 A \* 5/1991 Foley ..... A61M 15/0086  
128/200.14
- 5,042,467 A \* 8/1991 Foley ..... A61M 15/0086  
128/200.14
- 5,203,323 A \* 4/1993 Tritle ..... A61M 15/0086  
128/200.23
- 5,318,016 A \* 6/1994 Mecikalski ..... A61M 15/0086  
128/200.14
- 5,816,240 A \* 10/1998 Komesaroff ..... A61M 15/0086  
128/200.23

5,848,588 A \* 12/1998 Foley ..... A61M 15/0086  
128/200.23

D412,979 S \* 8/1999 Weinstein ..... D24/110

6,026,807 A \* 2/2000 Puderbaugh ..... A61M 15/0086  
128/200.14

(Continued)

OTHER PUBLICATIONS

Martin, Lawrence, M.D., FACP, FCCP. 10 Common Misconceptions & Errors in Treating Asthma. Lakeside Press. Date published: 2008. Retrieved from the internet. <<https://web.archive.org/web/20090202055350/http://www.lakesidepress.com/pulmonary/10errors-asthma.htm>> (Year: 2008).\*

*Primary Examiner* — Eric L Goodman

*Assistant Examiner* — Lilyana Bekic

(74) *Attorney, Agent, or Firm* — Knechtel, Demeur & Samlan

(57) **CLAIM**

I claim the ornamental design for a delivery assist device for metered dose inhaler, as shown and described.

**DESCRIPTION**

FIG. 1 is a top perspective view taken of a delivery assist device for metered dose inhaler in a collapsed condition showing my new design;

FIG. 2 is a left side view thereof;

FIG. 3 is a rear view thereof;

FIG. 4 is a front view thereof;

FIG. 5 is a right side view thereof;

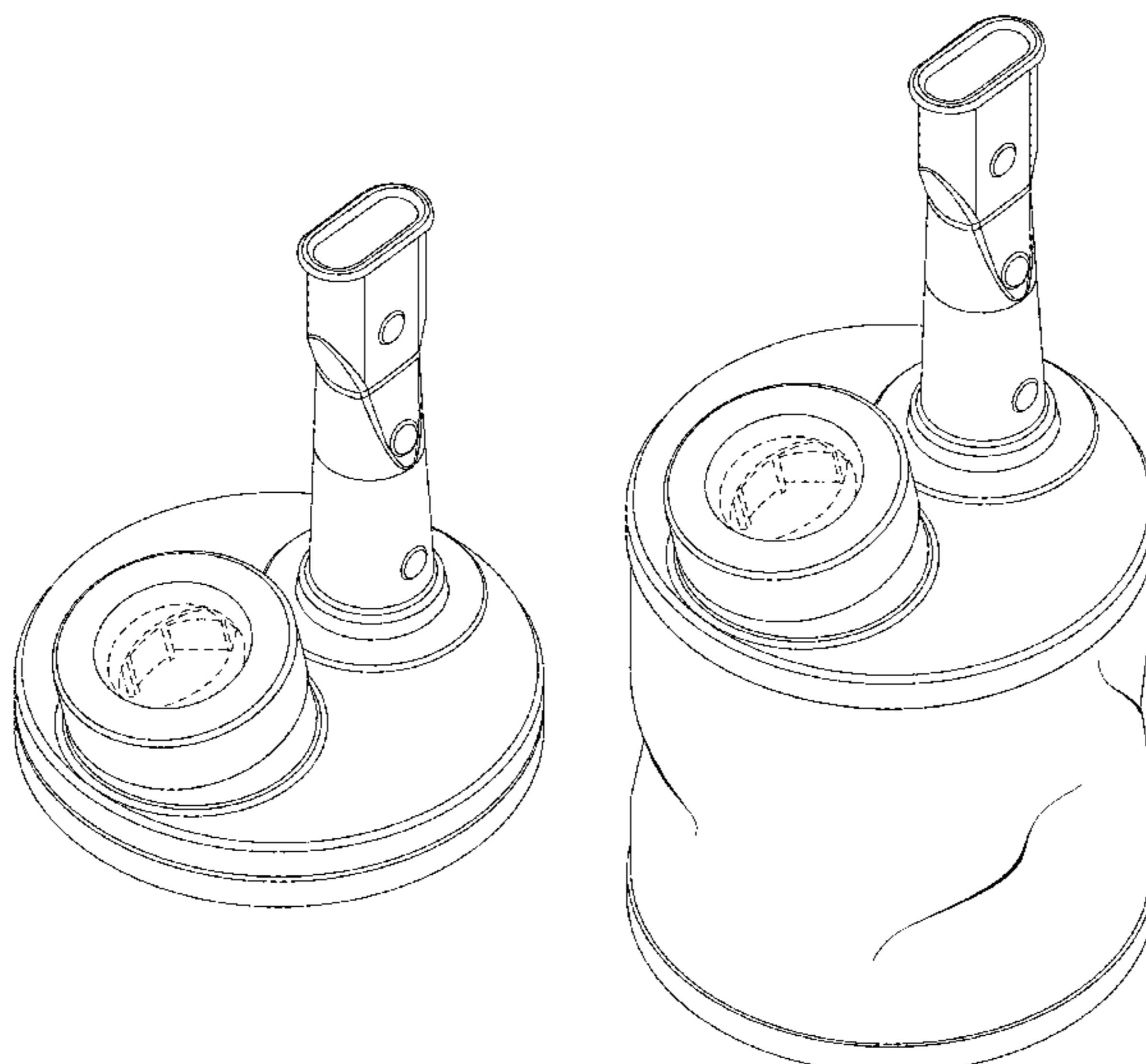
FIG. 6 is a top view thereof;

FIG. 7 is a bottom view thereof; and,

FIG. 8 is a top perspective view of a delivery assist device for metered dose inhaler in an expanded condition.

The broken lines in the drawings depict portions of the delivery assist device for metered dose inhaler that form no part of the claimed design.

**1 Claim, 8 Drawing Sheets**



(56)

References Cited

U.S. PATENT DOCUMENTS

6,039,042	A *	3/2000	Sladek .....	A61M 15/0086 128/200.23	2011/0226242	A1 *	9/2011	Von Hollen .....	A61M 15/009 128/203.12
6,557,549	B2 *	5/2003	Schmidt .....	A61M 15/0086 128/200.24	2011/0232636	A1 *	9/2011	Von Hollen .....	A61M 15/0086 128/202.13
8,528,543	B2 *	9/2013	Barney .....	A61D 7/04 128/200.14	2011/0247624	A1 *	10/2011	Von Hollen .....	A61M 16/209 128/205.23
D717,424	S *	11/2014	Steelman .....	D24/110	2012/0247460	A1 *	10/2012	Stenzler .....	A61M 15/0086 128/203.12
D735,316	S *	7/2015	Steelman .....	D24/110	2012/0285236	A1 *	11/2012	Haartsen .....	A61M 11/005 73/204.11
2002/0069870	A1 *	6/2002	Farmer .....	A61M 15/0086 128/200.22	2012/0318261	A1 *	12/2012	Newhouse .....	A61M 15/0086 128/200.23
2003/0205226	A1 *	11/2003	Gallem .....	A61M 15/0086 128/200.14	2013/0075393	A1 *	3/2013	Haynie .....	B65D 37/00 220/6
2004/0050869	A1 *	3/2004	Jennings .....	A61M 15/009 222/183	2013/0276781	A1 *	10/2013	Steelman .....	A61M 15/0086 128/203.12
2004/0231665	A1 *	11/2004	Lieberman .....	A61M 15/0086 128/200.14	2013/0291862	A1 *	11/2013	Eagle .....	A61M 15/0086 128/203.12
2007/0113841	A1 *	5/2007	Fuchs .....	A61F 9/0008 128/200.14	2015/0059739	A1 *	3/2015	Aslam .....	A61M 15/009 128/202.22
2009/0007909	A1 *	1/2009	Carrico .....	A61M 15/0045 128/203.15	2016/0256641	A1 *	9/2016	Lisberg .....	A61M 15/0088

\* cited by examiner

Fig. 1

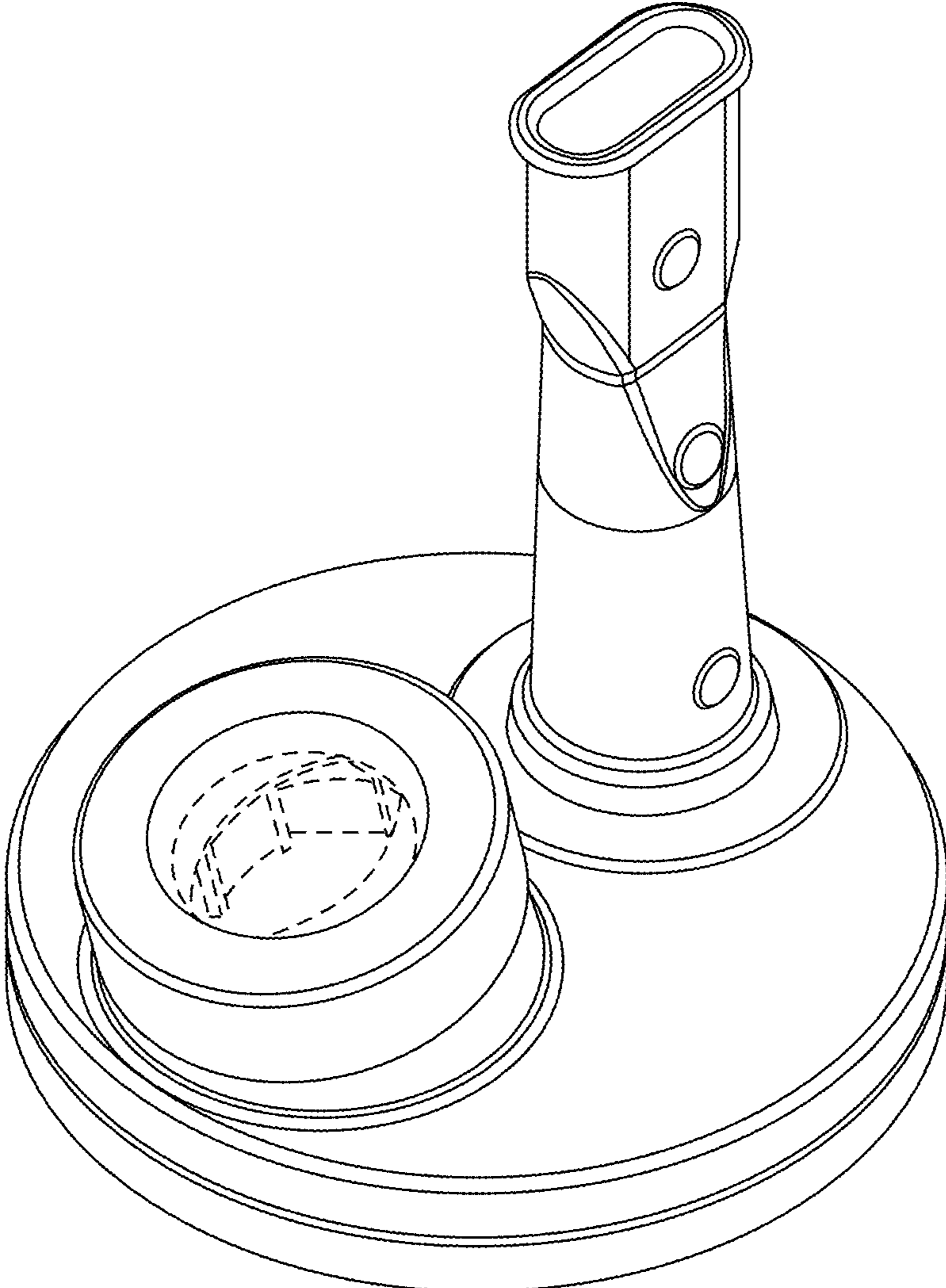


Fig. 2

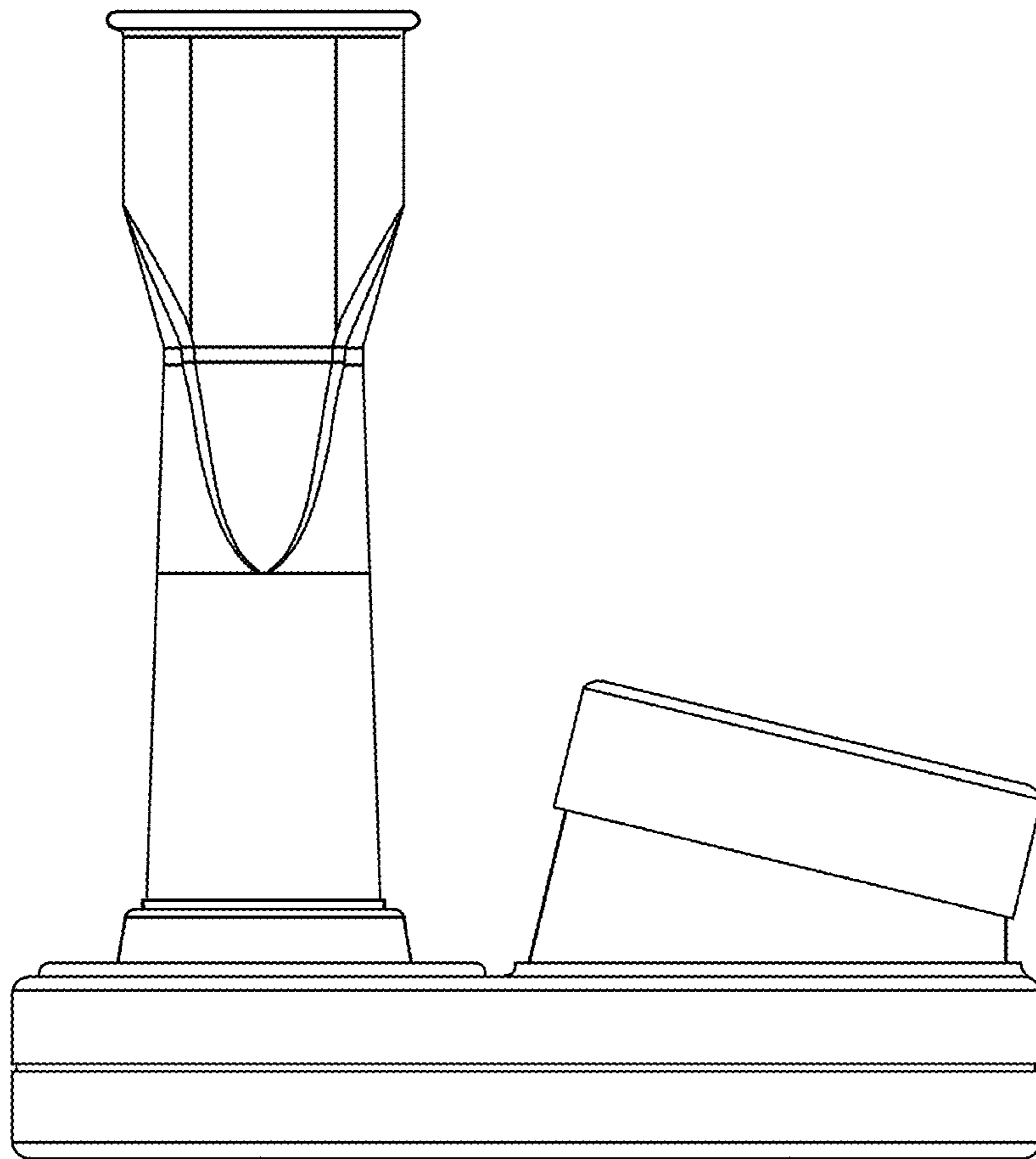


Fig. 3

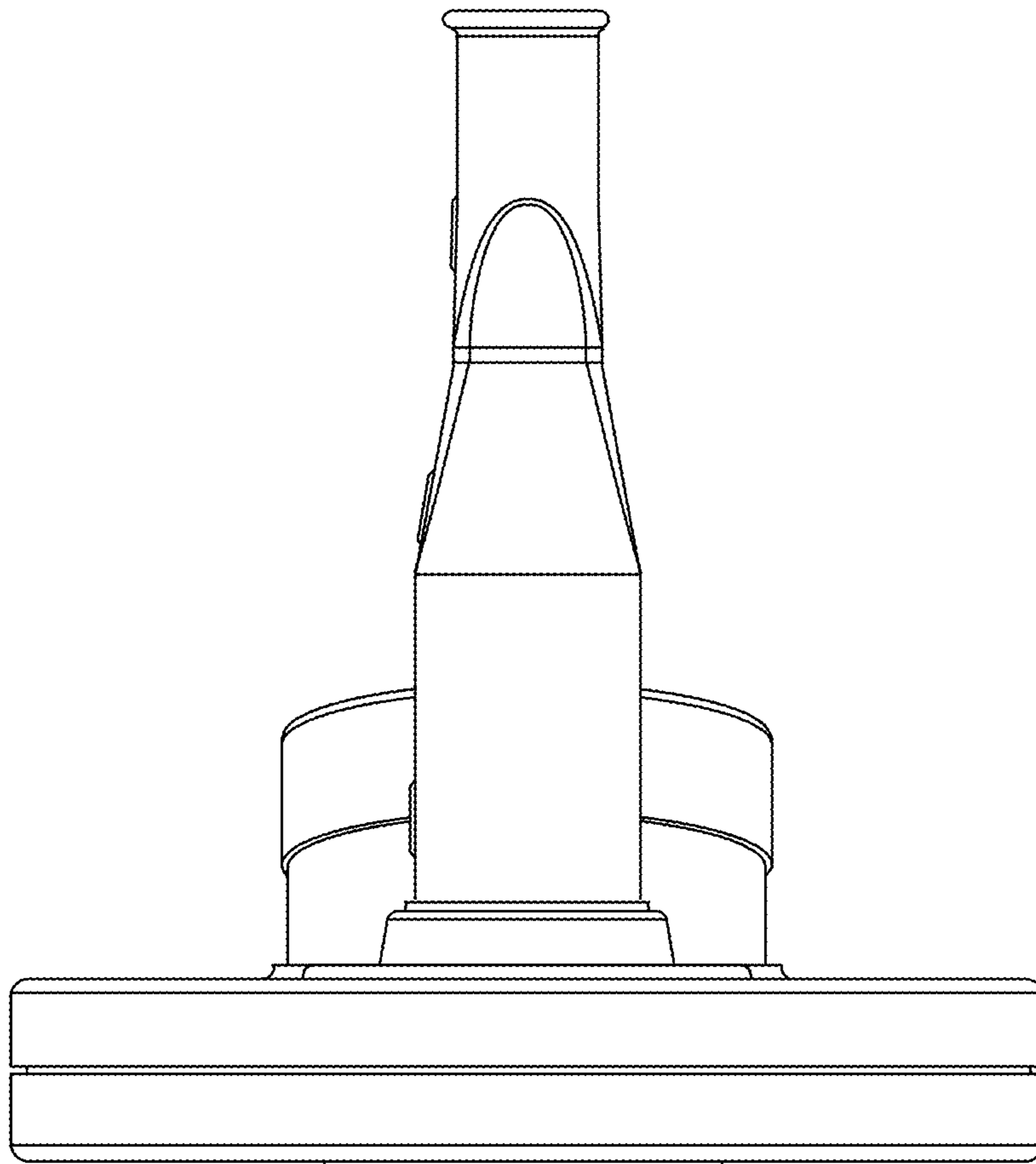


Fig. 4

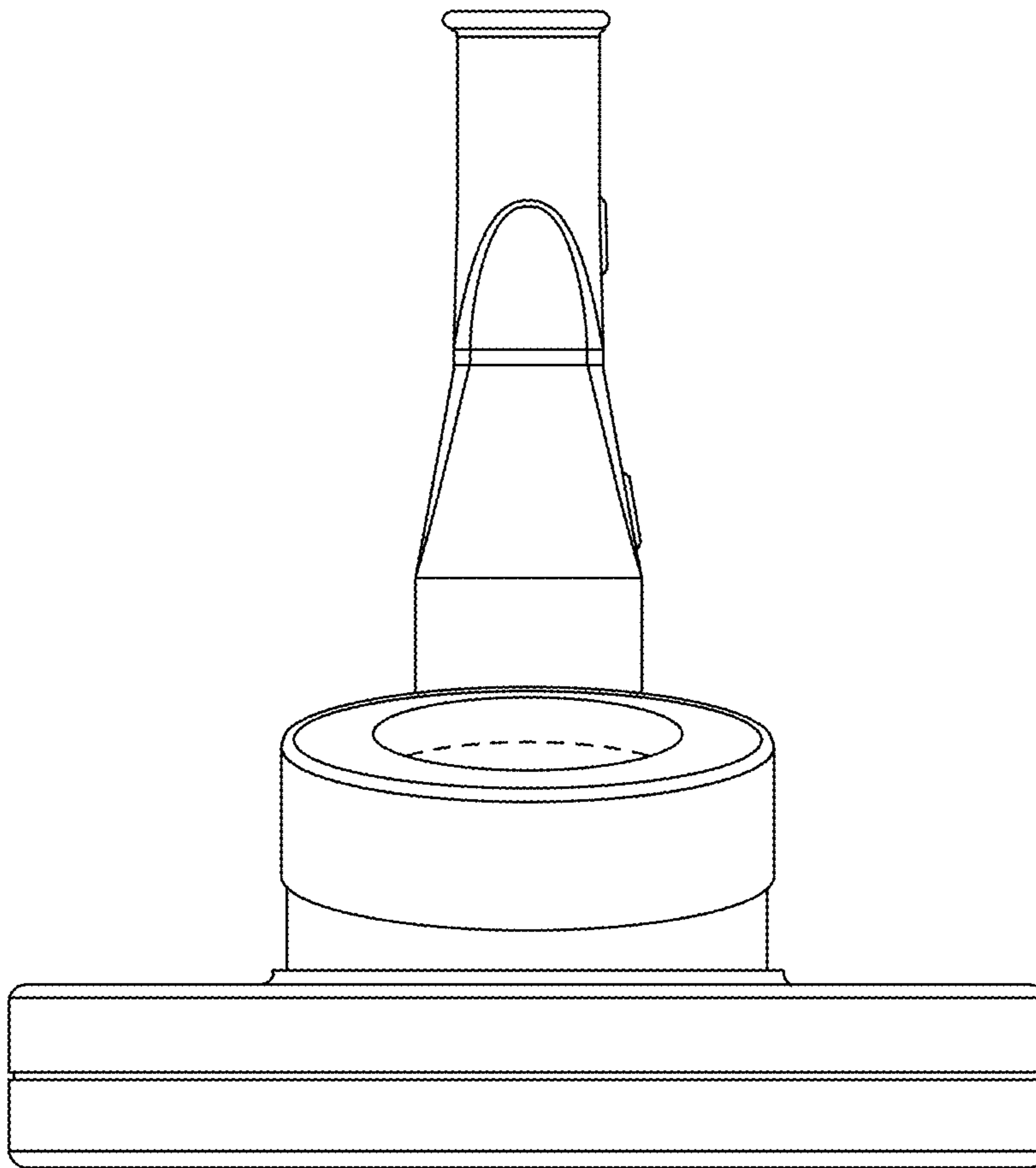


Fig. 5

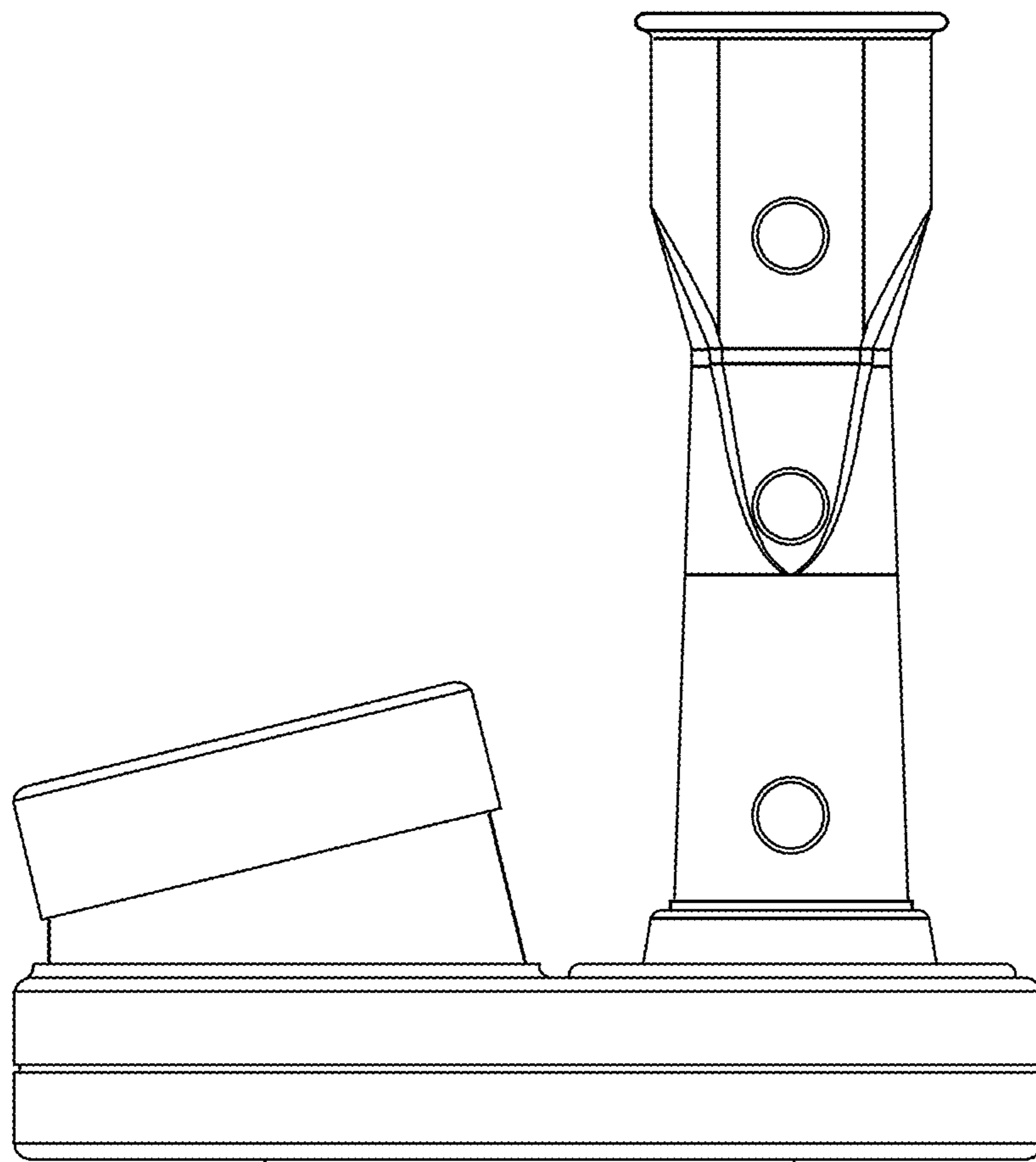
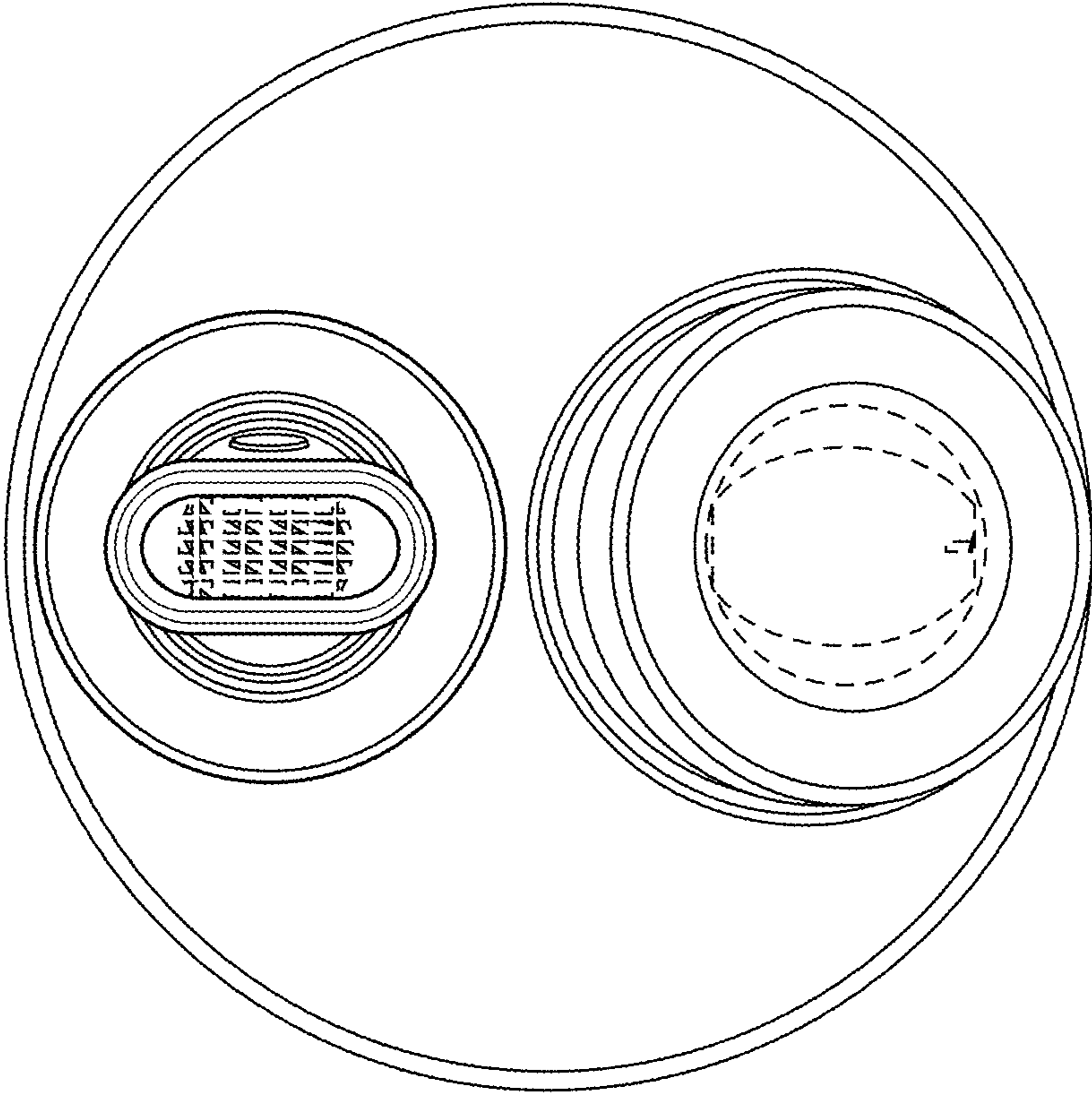


Fig. 6





**Fig. 7**

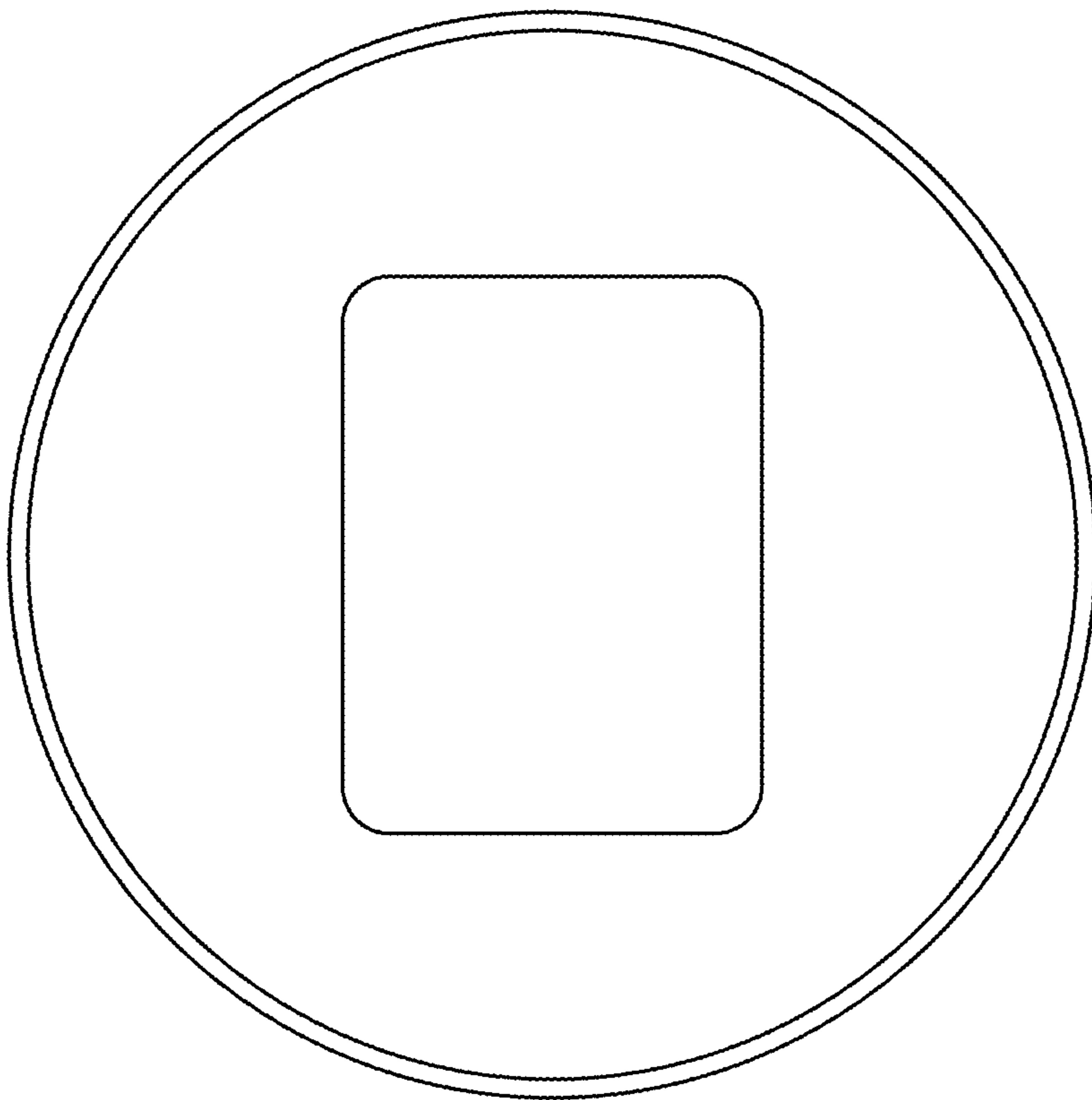


Fig. 8

