



US00D835259S

(12) **United States Design Patent**  
**Heikkilä**

(10) **Patent No.:** **US D835,259 S**

(45) **Date of Patent:** **\*\* Dec. 4, 2018**

- (54) **EARPLUG**
- (71) Applicant: **QuietOn Oy**, Kempele (FI)
- (72) Inventor: **Mikael Heikkilä**, Oulu (FI)
- (73) Assignee: **QuietOn Oy**, Kempele (FI)
- (\*\*) Term: **15 Years**

2012/0063622 A1\* 3/2012 Bruckhoff ..... A61F 11/008  
381/328  
2016/0269823 A1\* 9/2016 Lee ..... H04R 1/023  
2017/0095372 A1\* 4/2017 Aceti ..... A61F 11/08  
2017/0360614 A1\* 12/2017 Ely ..... A61F 11/08

\* cited by examiner

*Primary Examiner* — Richelle G Shelton

(74) *Attorney, Agent, or Firm* — Banner & Witcoff, Ltd.

- (21) Appl. No.: **29/565,719**
- (22) Filed: **May 24, 2016**

(30) **Foreign Application Priority Data**

Nov. 24, 2015 (EM) ..... 001443055

(51) **LOC (11) Cl.** ..... **24-04**

(52) **U.S. Cl.**  
USPC ..... **D24/106**

(58) **Field of Classification Search**  
USPC ..... D24/106, 173, 174  
CPC ..... A61F 11/08; A61F 2011/085  
See application file for complete search history.

(56) **References Cited**

**U.S. PATENT DOCUMENTS**

2,487,038 A \* 11/1949 Baum ..... A61F 11/08  
128/867  
D330,761 S \* 11/1992 Falco ..... D24/106

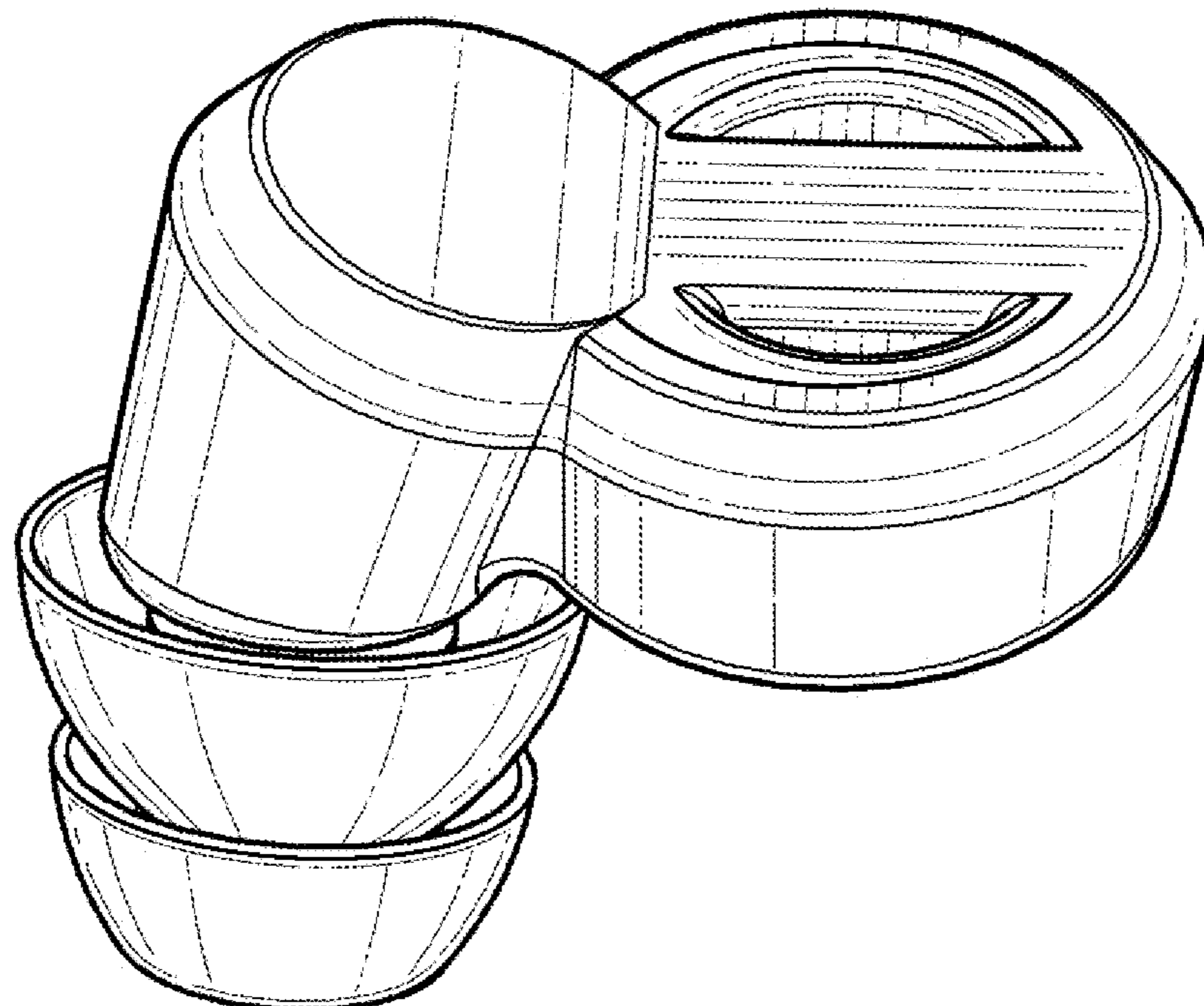
(57) **CLAIM**

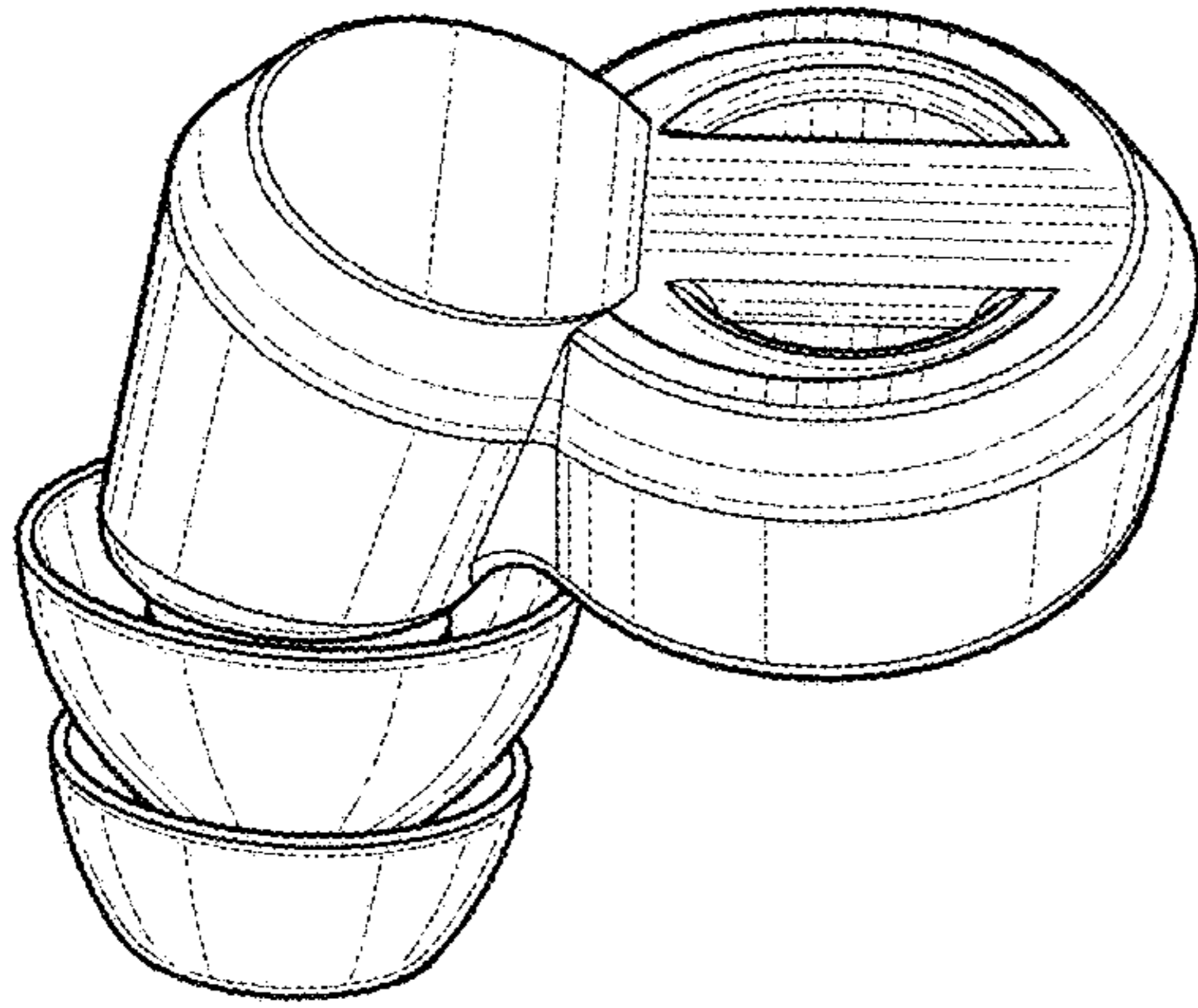
The ornamental design for an earplug, as shown and described.

**DESCRIPTION**

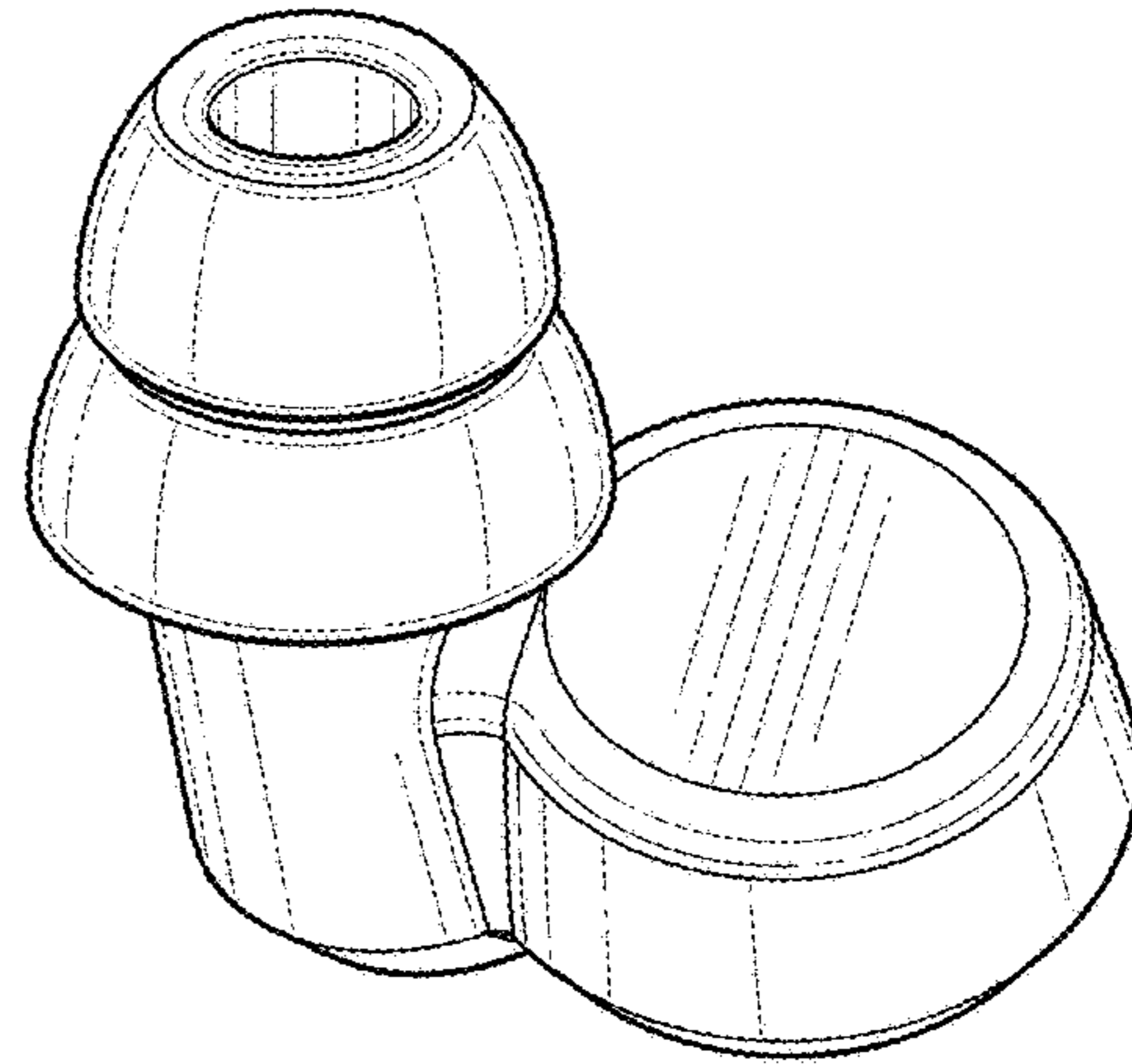
FIG. 1 is a perspective top view of an earplug showing my new design;  
FIG. 2 is a perspective bottom view thereof;  
FIG. 3 is a left side view thereof;  
FIG. 4 is a right side view thereof;  
FIG. 5 is a top plan view thereof;  
FIG. 6 is a front view thereof; and,  
FIG. 7 is a rear view thereof.

**1 Claim, 2 Drawing Sheets**

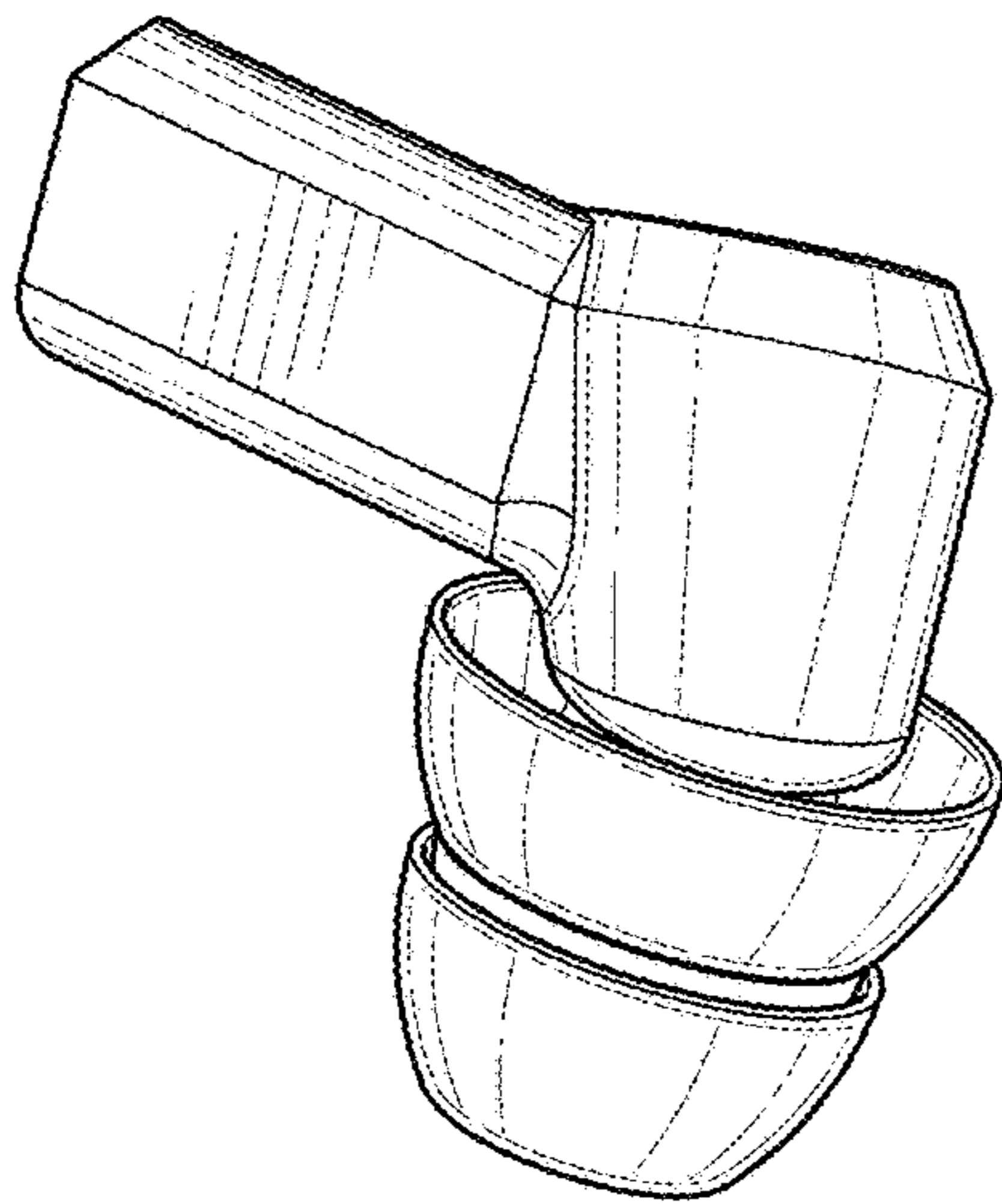




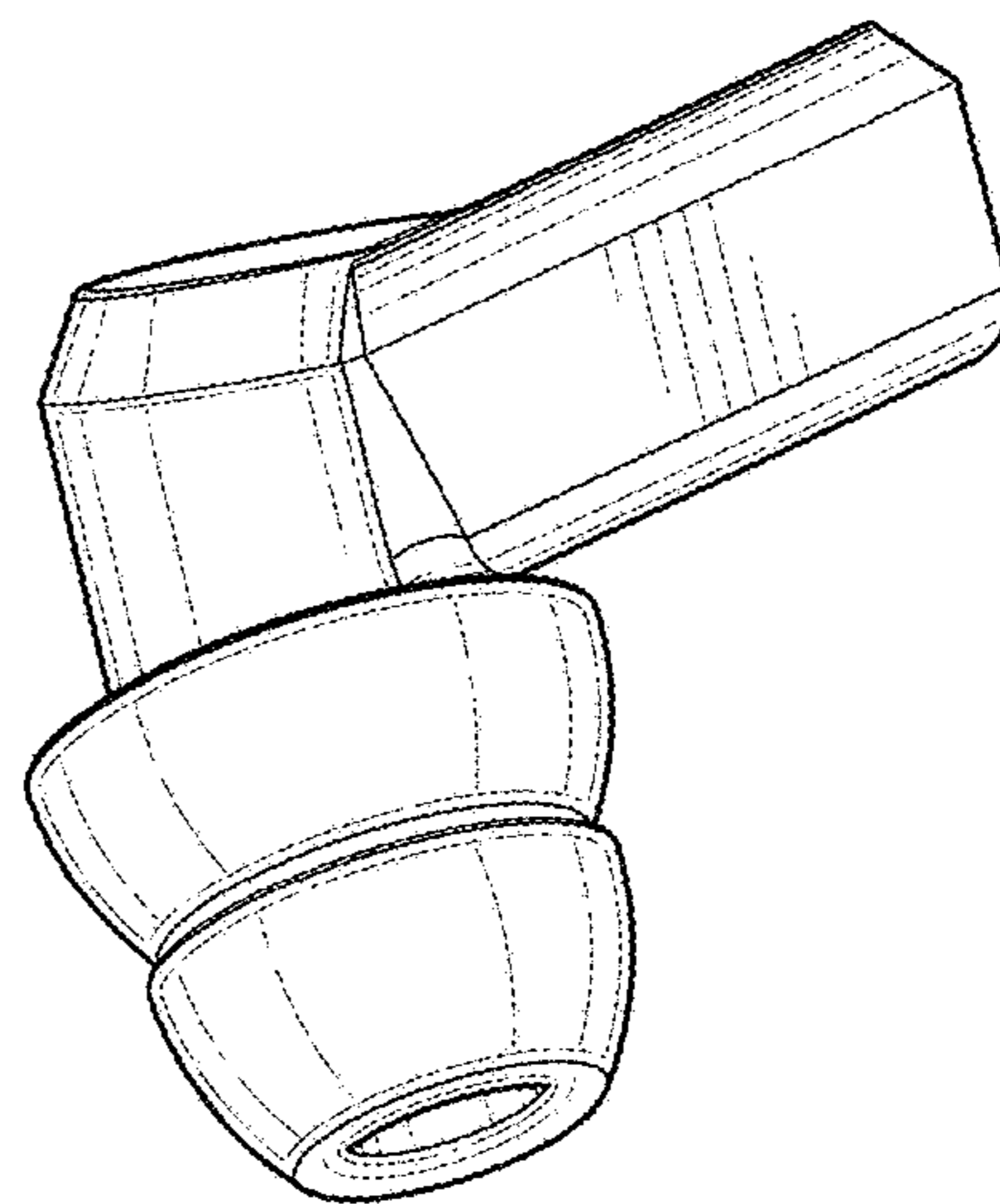
**FIG. 1**



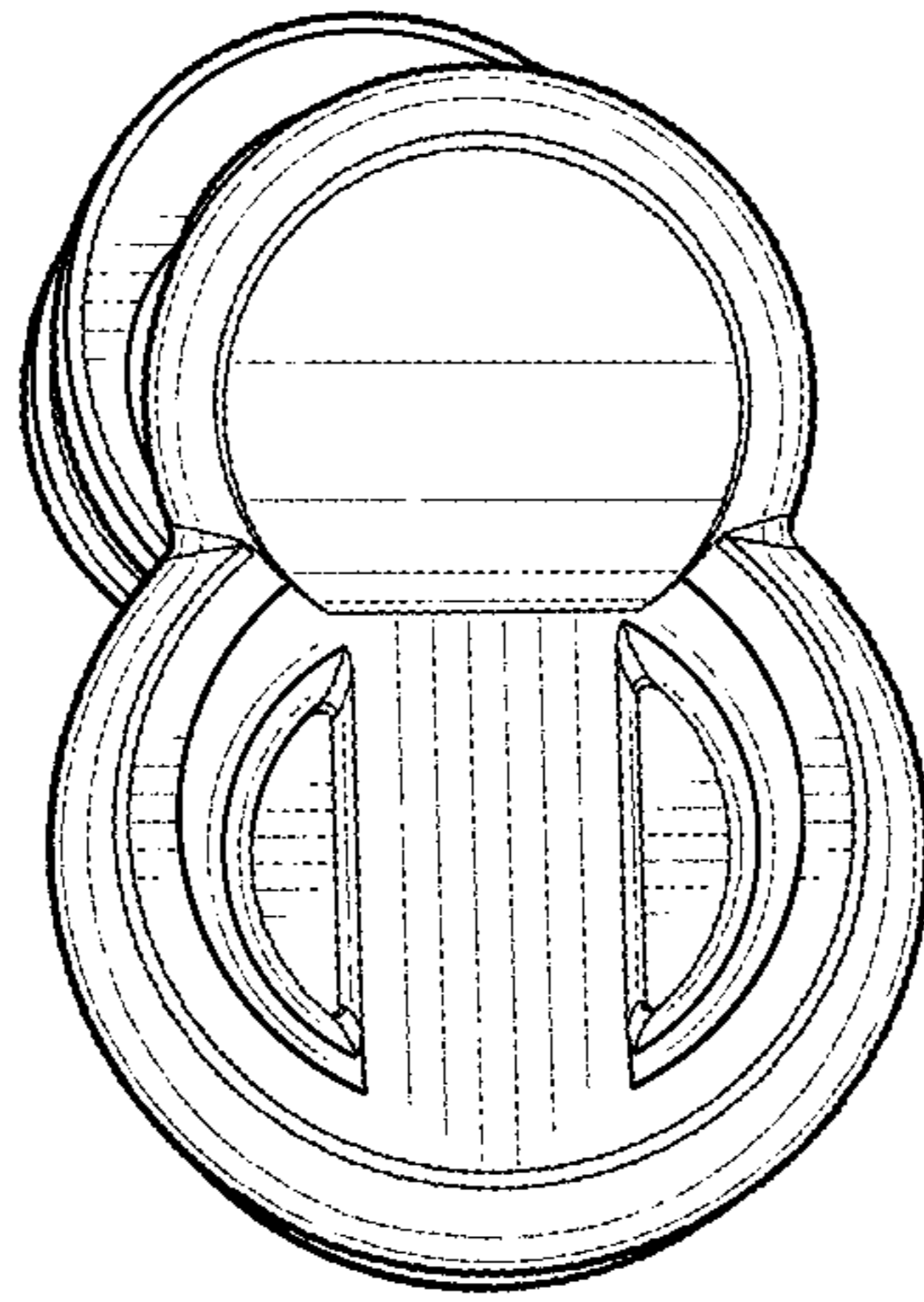
**FIG. 2**



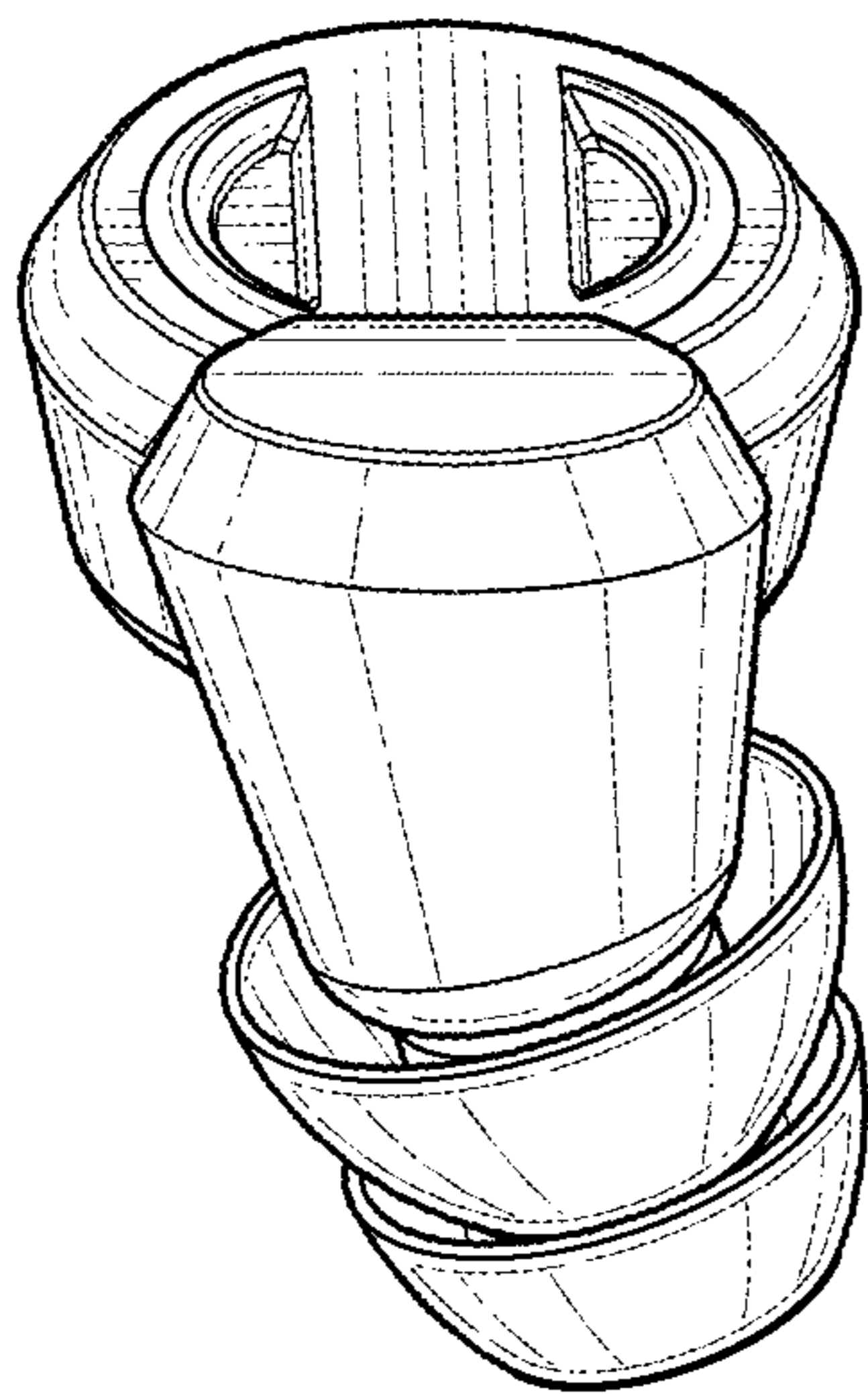
**FIG. 3**



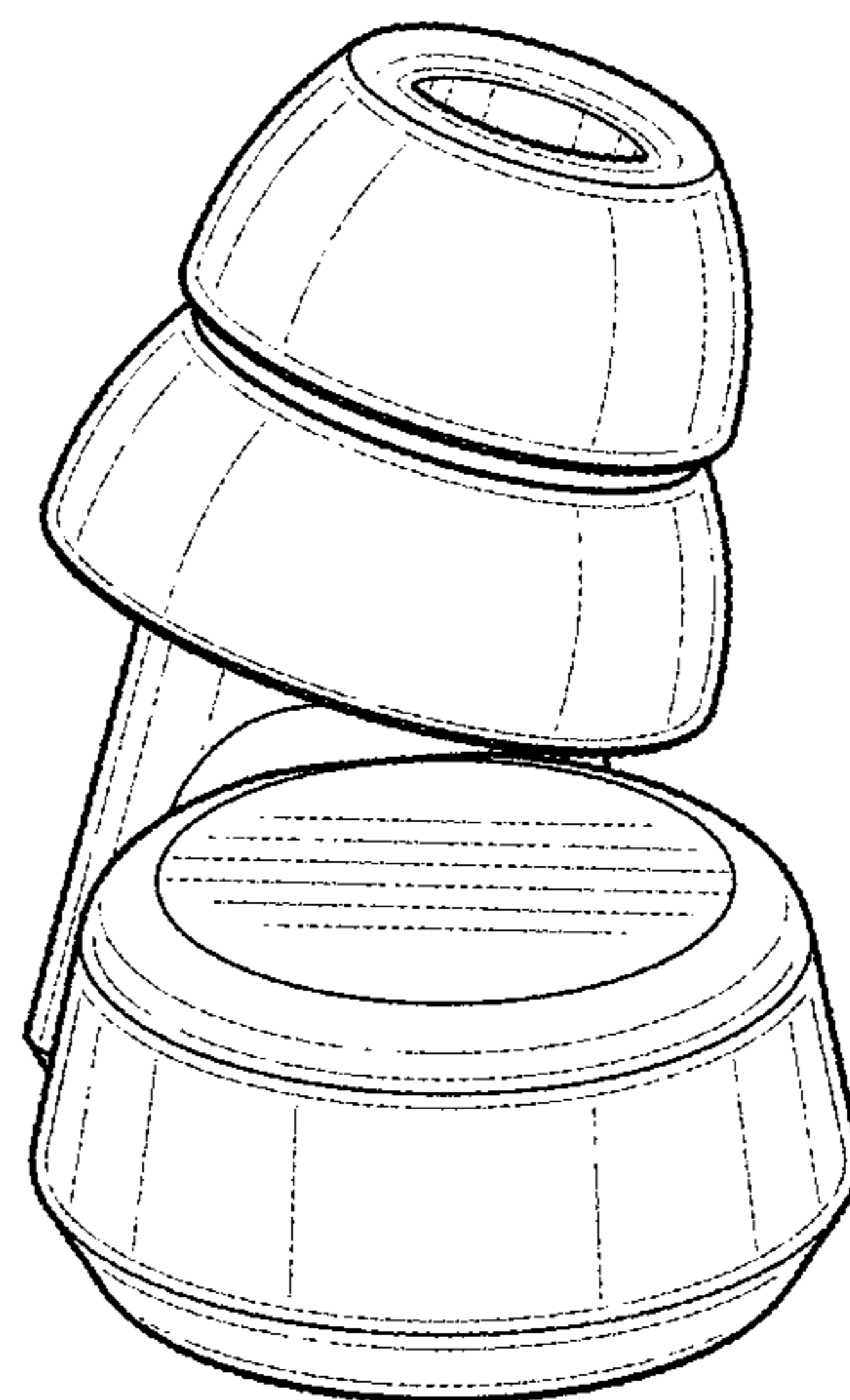
**FIG. 4**



**FIG. 5**



**FIG. 6**



**FIG. 7**